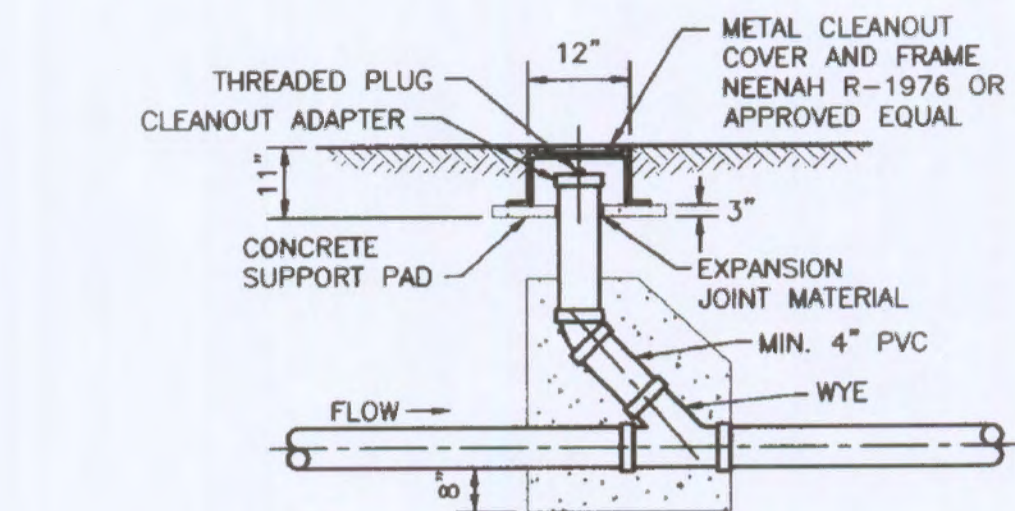


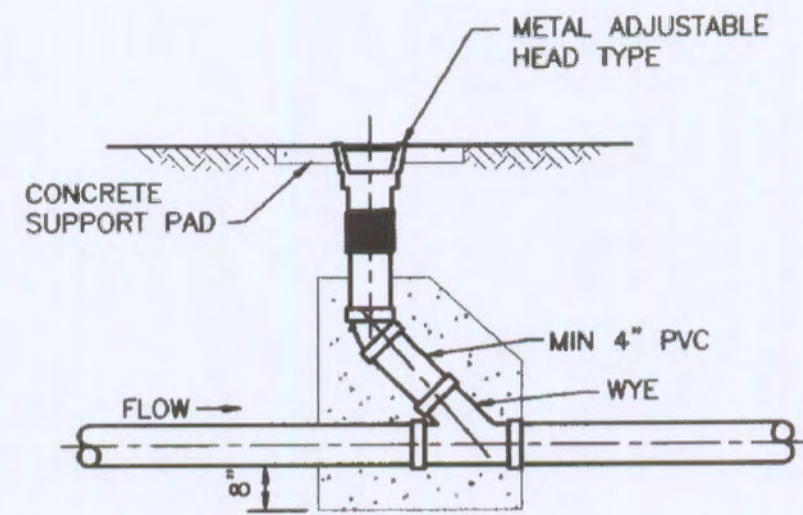
- NOTES:
1. GROUTED RIP-RAP IS REQUIRED AT ALL CREEK CROSSINGS WHERE THE EMBANKMENTS CROSSED ARE STEEPER THAN 1 VERTICAL TO 2 HORIZONTAL RATIO SLOPE; AND ALSO WHERE THERE IS 3 FEET OR LESS COVER OVER THE TOP OF THE SEWER MAIN.
 2. PLACE RIP-RAP ON LOWER 3/4 OF SLOPE, GRADE UPPER 1/4 OF SLOPE AT 1 VERTICAL TO 2 HORIZONTAL SLOPE FOR SOD OR 1 VERTICAL TO 2.5 HORIZONTAL SLOPE FOR SEED AND STRAW.
 3. RIP-RAP TO BE "MSD 5" GRADATION, MINIMUM 12" THICK, GROUTED WITH 8 SACK MIX, SAND-CEMENT SLURRY, BROOM FINISH.
 4. INCORPORATE A 3 FEET DEEP TOE WALL ON EMBANKMENT'S UPPER EDGE OF RIP-RAP.
 5. TOP SURFACE OF RIP-RAP SHOULD NOT BE HIGHER THAN ADJACENT GROUND SURFACE.
 6. IF PIPE HAS LESS THAN 12" COVER, A PAVED CHANNEL MAY BE REQUIRED.
 7. DUCTILE IRON PIPE IS REQUIRED WITHIN THE CREEK LIMITS.

DUCKETT CREEK SANITARY DISTRICT

TYPICAL CREEK CROSSING	Des By: BSM	App By: KLA	Detail No. 24
	Clad By: MDOB	Date: 1-8-01	



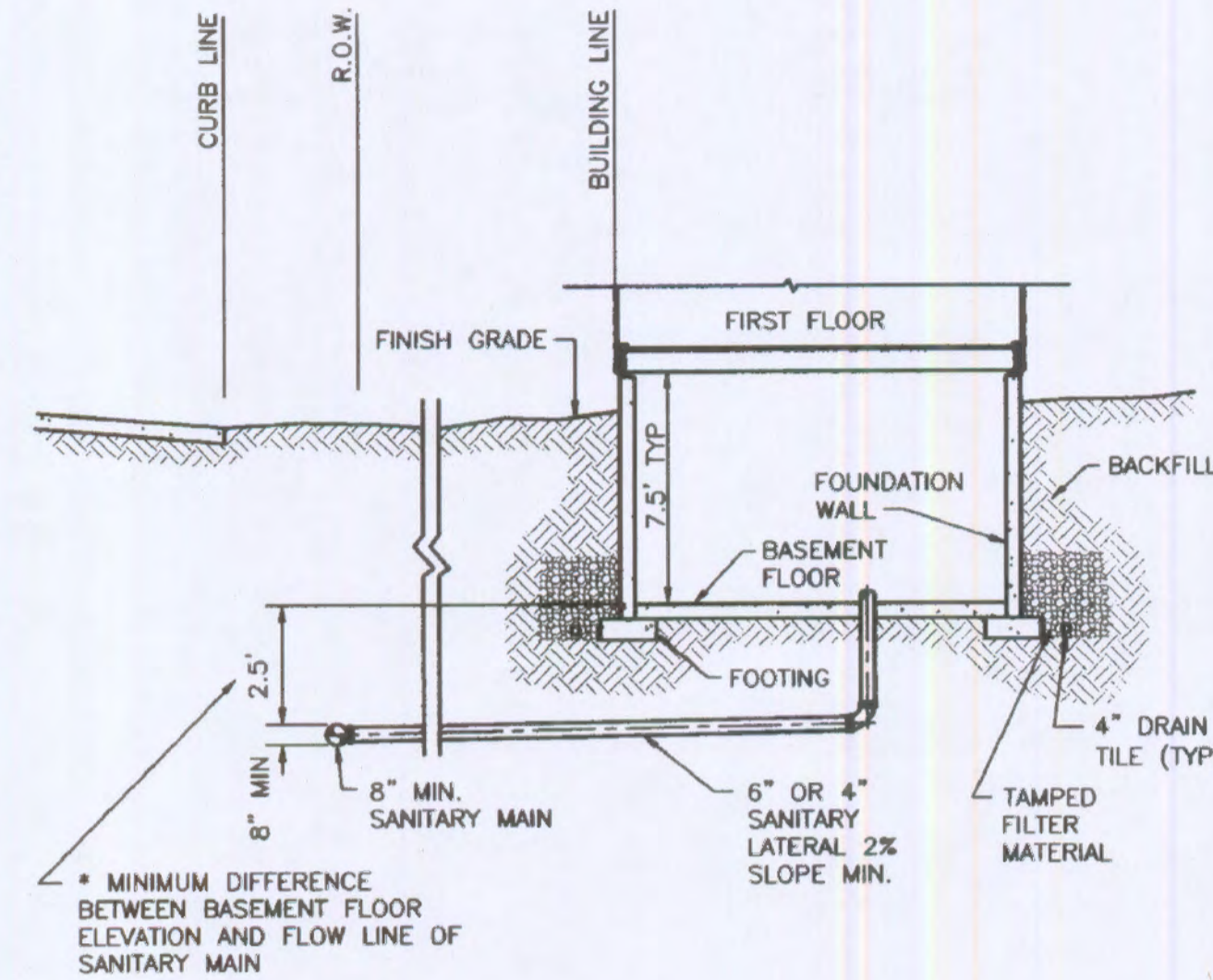
METAL FRAME AND COVER TYPE CLEANOUT



ADJUSTABLE HEAD TYPE CLEANOUT

DUCKETT CREEK SANITARY DISTRICT

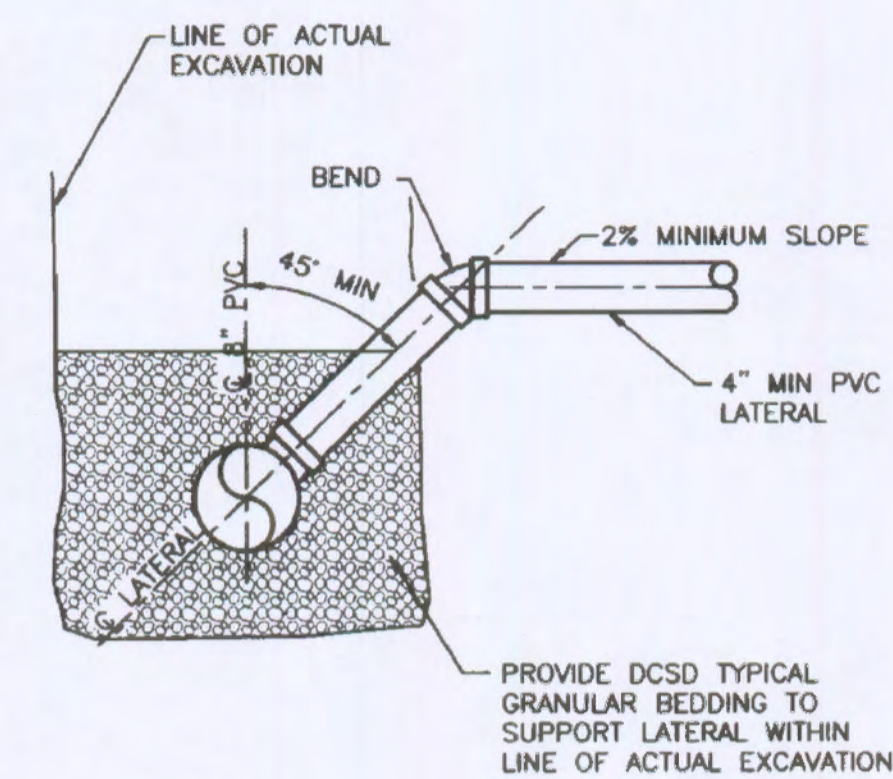
TYPICAL SEWER LATERAL CLEANOUT DETAILS	Des By: BSM	App By: KLA	Detail No. 25
	Clad By: MDOB	Date: 1-8-01	



*NOTE: DIFFERENCE IN DEPTH INCREASES WITH PIPE SIZE

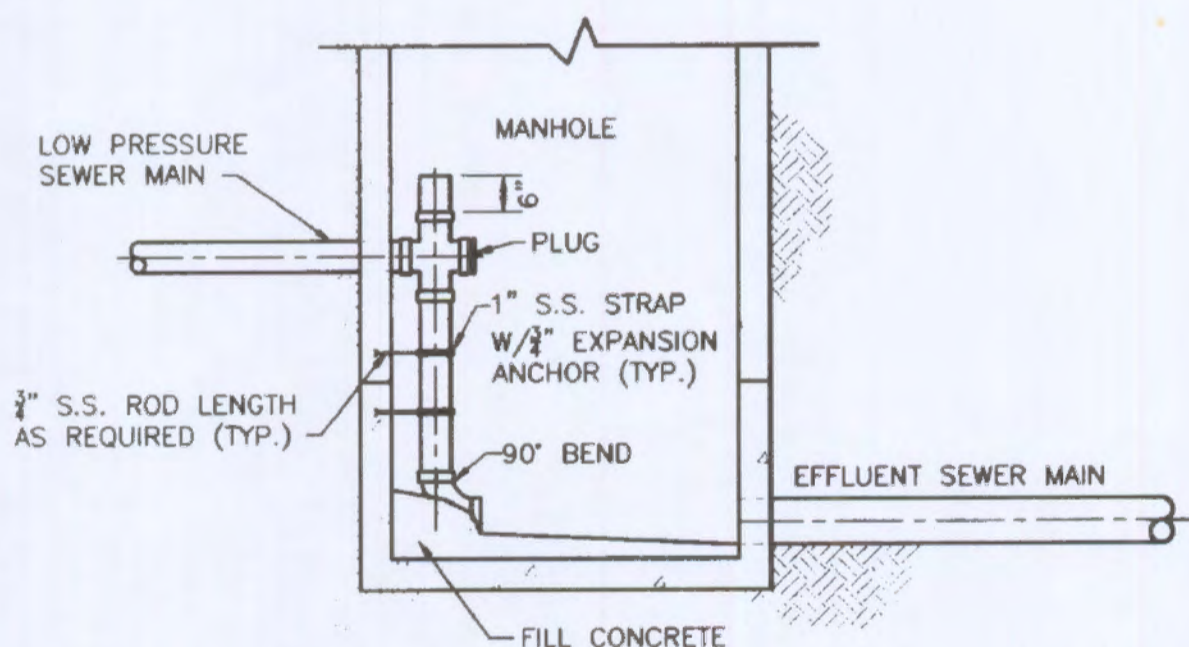
DUCKETT CREEK SANITARY DISTRICT

TYPICAL SANITARY SEWER LATERAL PROFILE	Des By: BSM	App By: KLA	Detail No. 26
	Clad By: MDOB	Date: 1-9-01	



DUCKETT CREEK SANITARY DISTRICT

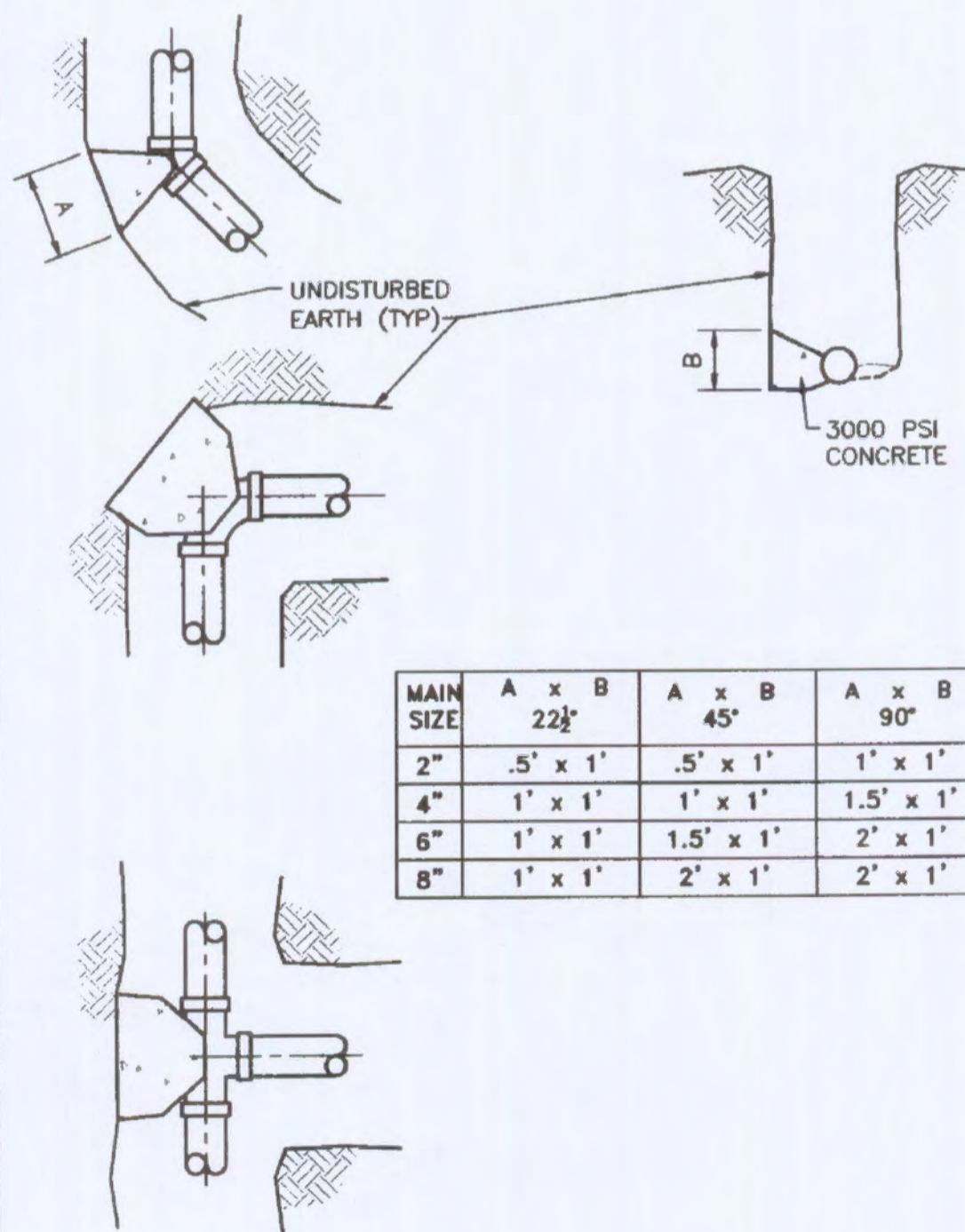
SANITARY SEWER LATERAL RISER DETAIL	Des By: BSM	App By: KLA	Detail No. 27
	Clad By: MDOB	Date: 1-9-01	



NOTE: INVERT-BOTTOM SHALL BE WORKED TO PROVIDE POSITIVE DRAINAGE THROUGH MANHOLE

DUCKETT CREEK SANITARY DISTRICT

LOW PRESSURE SEWER MAIN CONNECTION AT MANHOLE	Des By: BSM	App By: KLA	Detail No. 28
	Clad By: MDOB	Date: 1-9-01	



DUCKETT CREEK SANITARY DISTRICT

THRUST BLOCK DETAIL AND SIZE SCHEDULE	Des By: BSM	App By: KLA	Detail No. 29
	Clad By: MDOB	Date: 1-9-01	

CHANGE LIST NUMBERS	2
CITY DESIG. PRESS COMMENTS	1
DATE	NO
REVISION DESCRIPTION	

DEVELOPER/OWNER:
PULTE GROUP
 16640 CHESTERFIELD GROVE, SITE 200
 CHESTERFIELD, MO 63005
 PHONE: (636) 537-7129

THE PROFESSIONAL ENGINEER'S SEAL AND SIGNATURE SHALL BE PLACED ON THIS PAGE AND DISCLAMERS ASSUMES RESPONSIBILITY ONLY FOR WHAT APPEARS ON THIS PAGE AND NOT FOR THE ACCURACY OF THE INFORMATION PROVIDED TO HIM BY THE CLIENT. THE ENGINEER'S SEAL AND SIGNATURE SHALL BE PLACED ON THIS PAGE AND DISCLAMERS ASSUMES RESPONSIBILITY ONLY FOR WHAT APPEARS ON THIS PAGE AND NOT FOR THE ACCURACY OF THE INFORMATION PROVIDED TO HIM BY THE CLIENT.



PRESTON WOODS
 PHASE 6
 IMPROVEMENT PLANS
 PRESTON WOODS LANE
 O'FALLON, MO 63366

SANITARY SEWER DETAILS

ST. CHARLES
 1520 S. Fifth Street
 Suite 307
 St. Charles, MO 63033
 636.978.7508 (tel)
 636.978.7508 (fax)

COLE
 CIVIL ENGINEERING / SURVEYING / PLANNING / LANDSCAPE ARCHITECTURE
 Cole & Associates, Inc.

DESIGN/CALC BY: RJG
 DRAWN BY: RJG
 CHECKED BY: TCA
 DRAWING SCALE: NOT TO SCALE
 DATE: 09/04/2013

Job Number: 13-0054
 Sheet Number: C8.9

DATE: November 26, 2013 - 11:28:37 AM
 DRAWING: S:\005\13-0054\CAD-DWG\C-04\IP_Phase6\IP_Phase6_Details.dwg