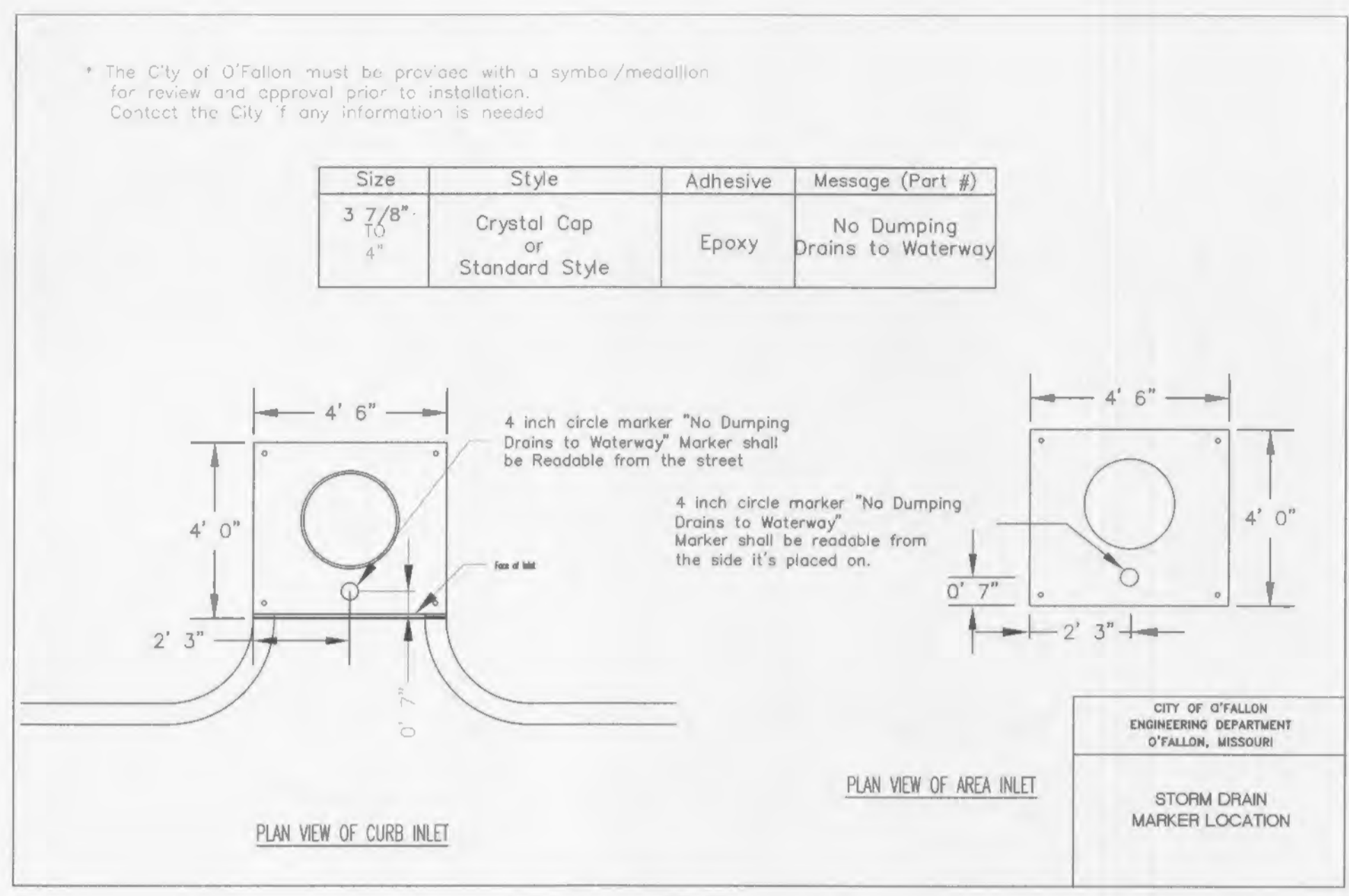
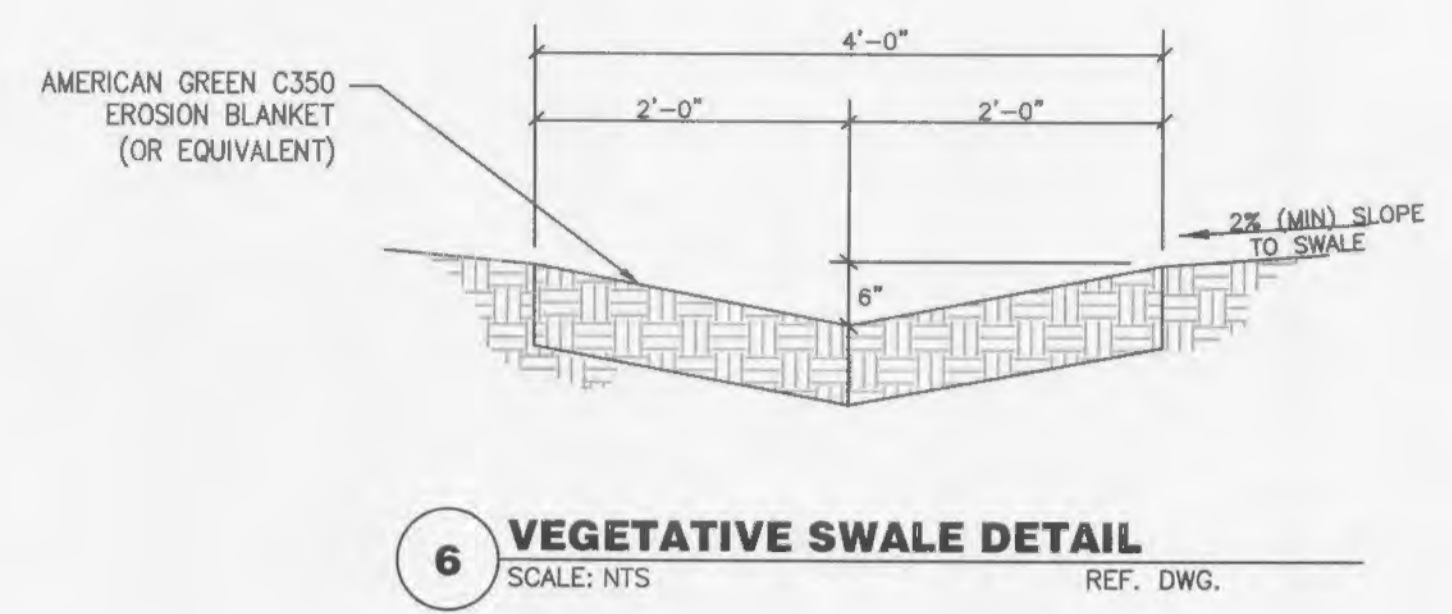


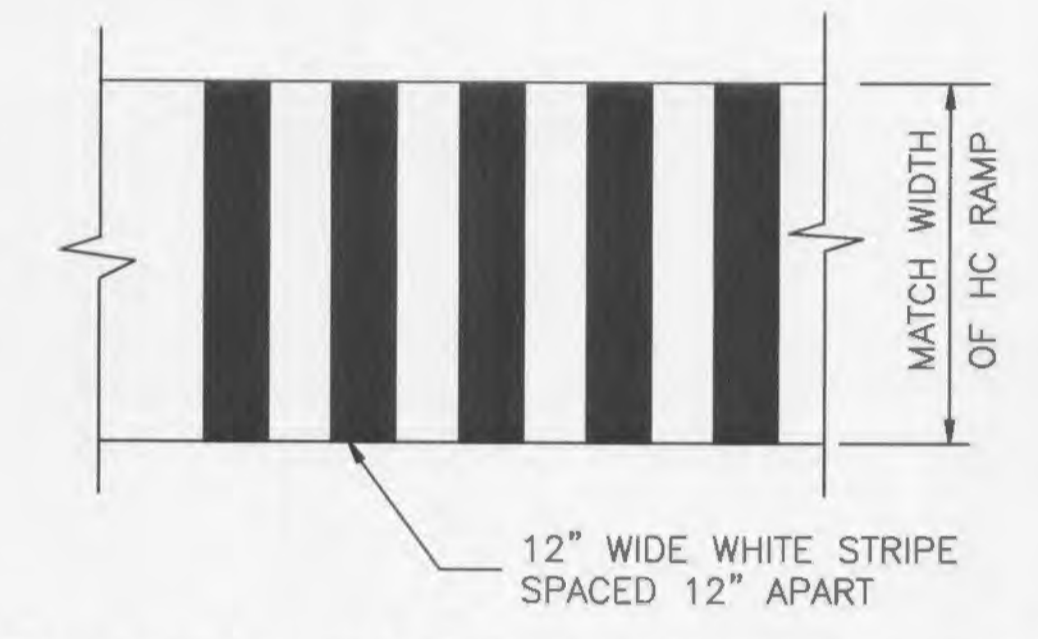
9 STORM SEWER LID DETAIL
SCALE: NTS REF. DWG.



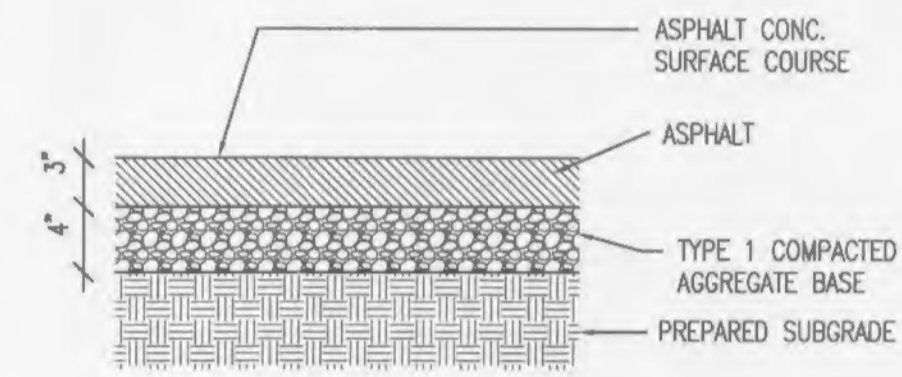
8 STORM DRAIN MARKER LOCATION
SCALE: NTS REF. DWG.



6 VEGETATIVE SWALE DETAIL
SCALE: NTS REF. DWG.

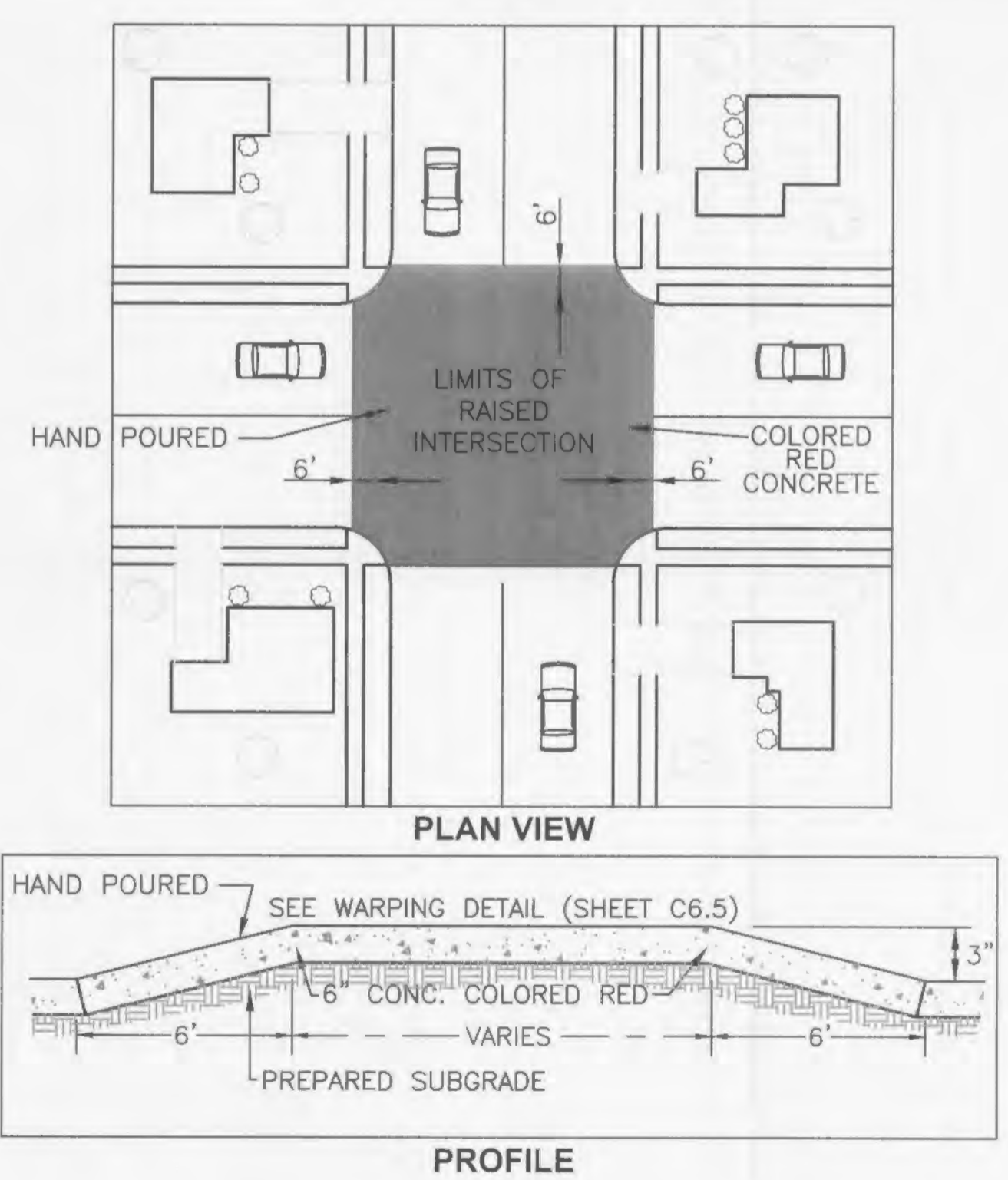


5 CROSS WALK STRIPING DETAIL
SCALE: N.T.S. REF. DWG.

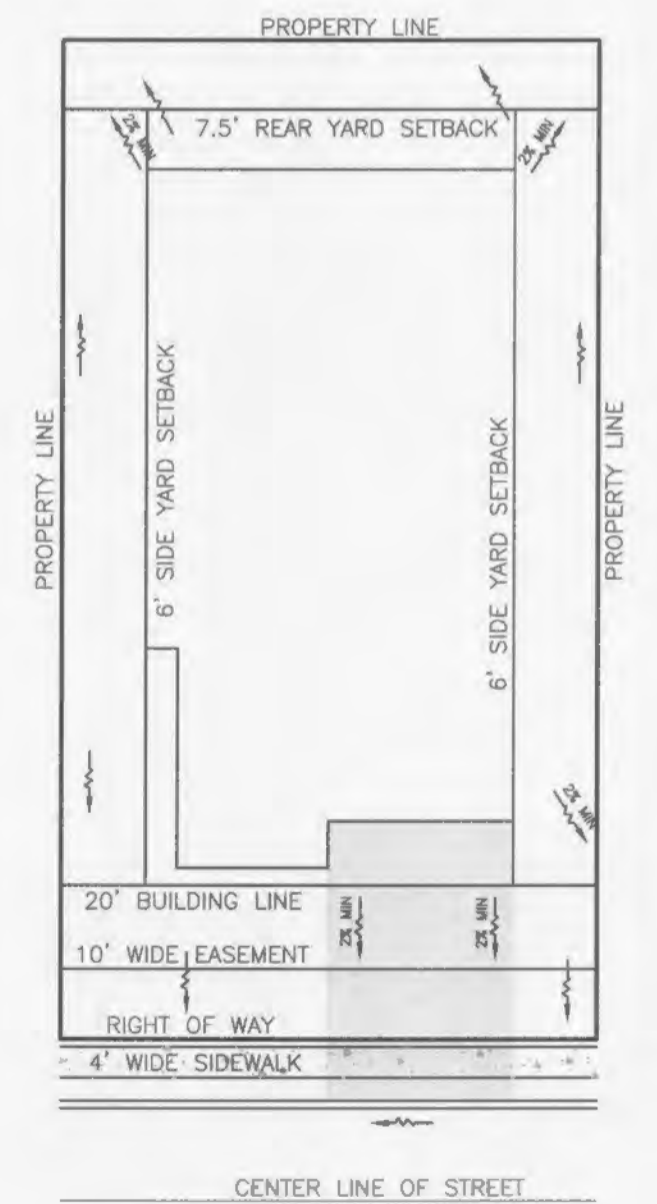


7 MULTI-USE TRAIL DETAIL
SCALE: NTS REF. DWG.

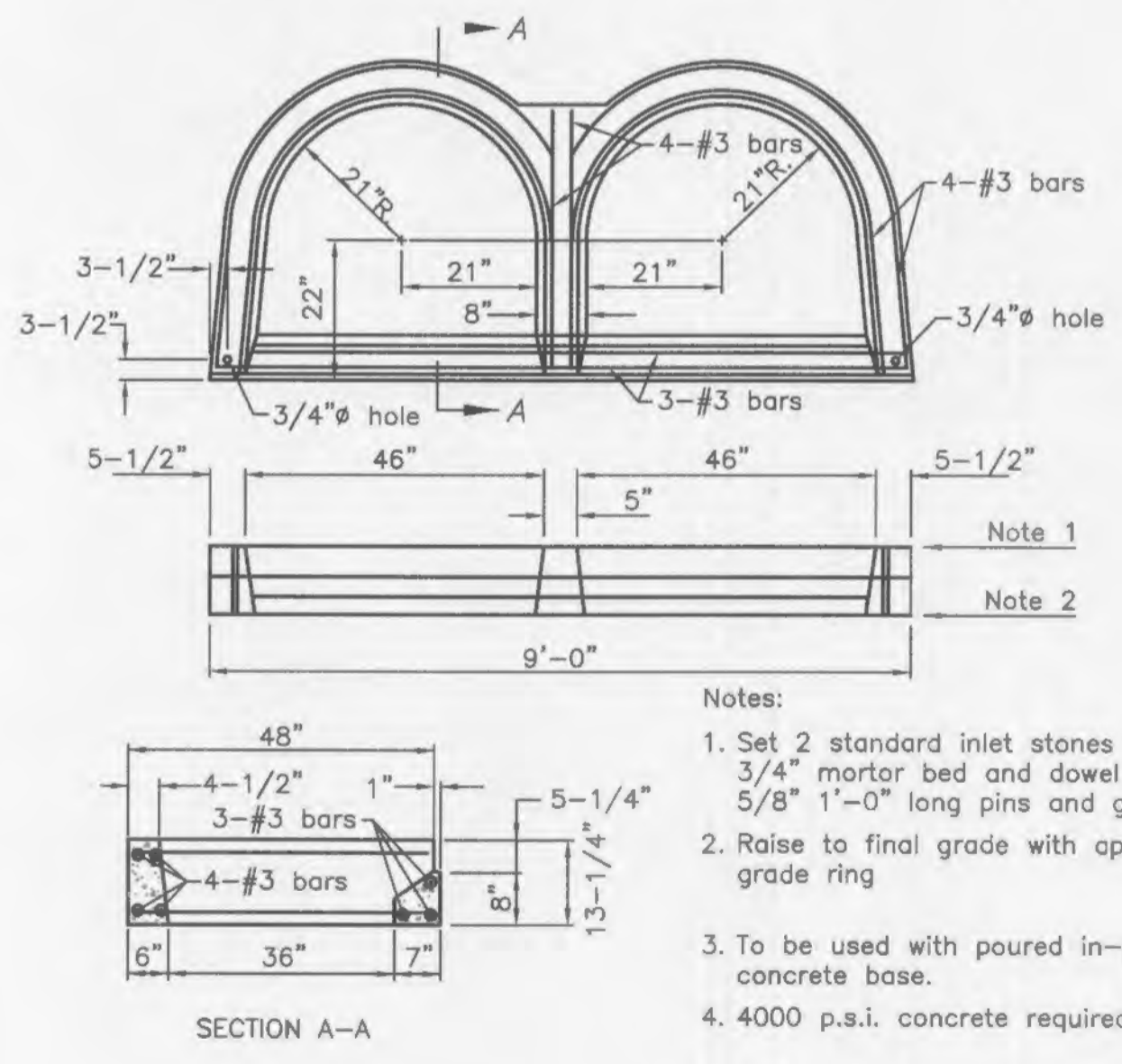
NOTE: THE ASPHALT SURFACE SHALL BE COMPACTED TO 98% MAXIMUM DENSITY.



4 TYP. RAISED INTERSECTION DETAIL
SCALE: NTS REF. DWG.

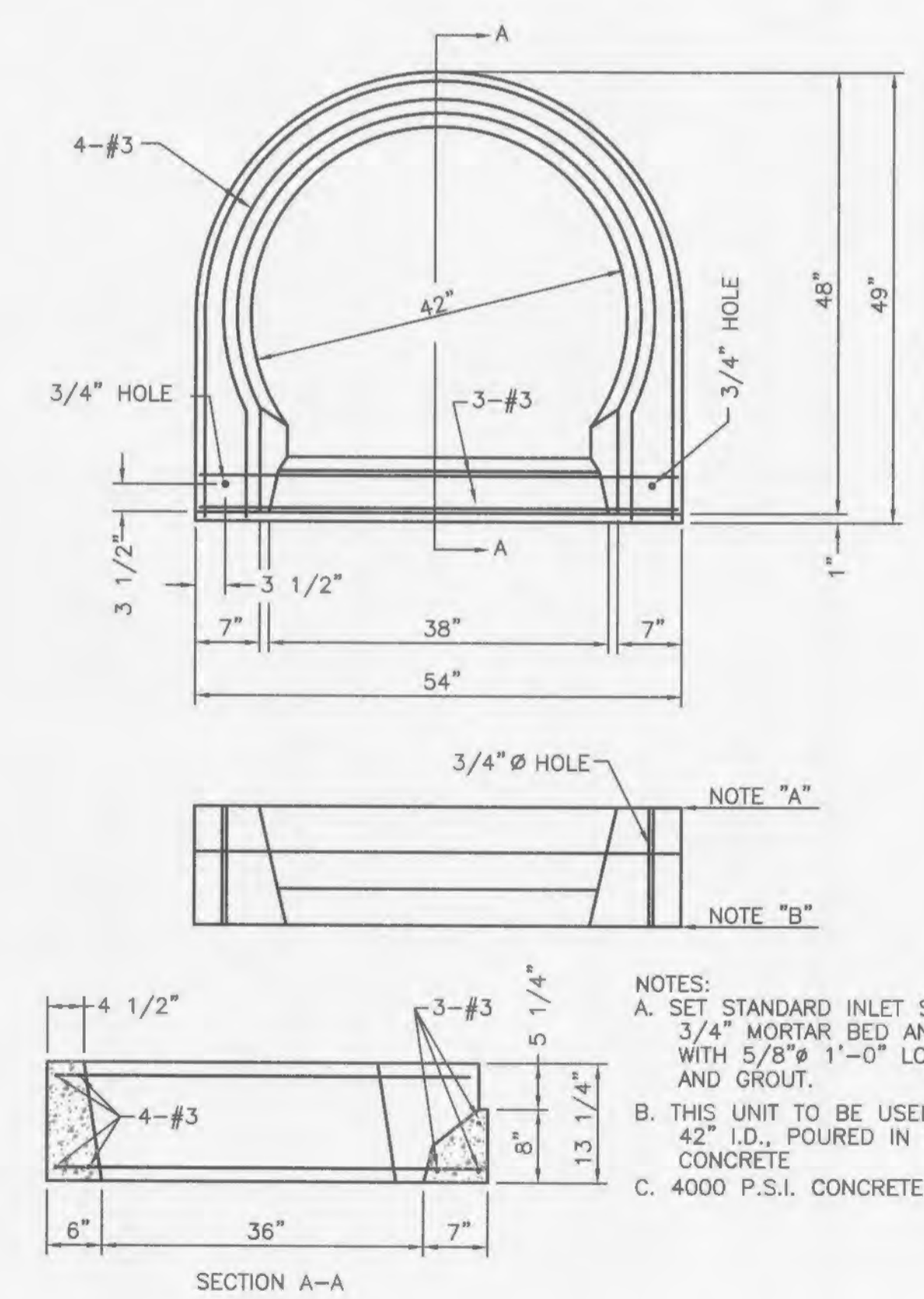


3 TYP. LOT FLOW PATTERN DETAIL
SCALE: NTS REF. DWG.



2 DOUBLE CURB INLET
SCALE: NTS REF. DWG.

- Notes:
- Set 2 standard inlet stones in 3/4" mortar bed and dowel with 5/8" 1'-0" long pins and grout
 - Raise to final grade with approved grade ring
 - To be used with poured in-place concrete base.
 - 4000 p.s.i. concrete required.



1 SINGLE CURB INLET
SCALE: NTS REF. DWG.

- NOTES:
- SET STANDARD INLET STONE IN 3/4" MORTAR BED AND DOWEL WITH 5/8" 1'-0" LONG PINS AND GROUT.
 - THIS UNIT TO BE USED WITH 42" I.D., POURED IN PLACE CONCRETE
 - 4000 P.S.I. CONCRETE REQ'D.

USER: Taylor, Stuart TAB: DETAILS 2
 DRAWING: S:\VIEWS\2013\13-0109\C9.2-DWG.CAD (P-PHASE) TO: P:\7_DETAILS.dwg
 DATE: 11/21/2013 10:44 AM

DEVELOPER/OWNER: **PULTE GROUP**
1707 CHESTERFIELD AIRPORT RD, SITE 120
CHESTERFIELD, MO 63005
PHONE: (636) 537-7129

THE PROFESSIONAL WHOSE SIGNATURE AND PERSONAL SEAL APPEAR HEREON ASSUMES RESPONSIBILITY ONLY FOR WHAT APPEARS ON THIS PAGE, AND DISCLAIMS ALL OTHER RESPONSIBILITY FOR ANY ERRORS, OMISSIONS, OR INADEQUACIES IN THE DESIGN, SPECIFICATIONS, ESTIMATES, REPORTS, OR OTHER DOCUMENTS OR INSTRUMENTS NOT SEALED BY THE UNDERSIGNED PROFESSIONAL RELATING TO, OR INTENDED TO BE USED AS ANY PART OR PARTS OF THE PROJECT TO WHICH THIS PAGE REFERS.

JOHN F. HARSHBARGER
 CIVIL ENGINEER
 LICENSE NUMBER E-29716
 DATE: 11/21/13

PRESTON WOODS PHASE 7 IMPROVEMENT PLANS
 PRESTON WOODS, LANE
 O'FALLON, MO 63366

COLE
 CIVIL ENGINEERING / SURVEYING / PLANNING / LANDSCAPE ARCHITECTURE
 Cole & Associates, Inc.

DESIGN/CALC BY: MTS
 DRAWN BY: MTS
 CHECKED BY: JFH
 DRAWING SCALE: -
 DATE: 01/07/2013
 Job Number: 13-0109
 Sheet Number: C9.2