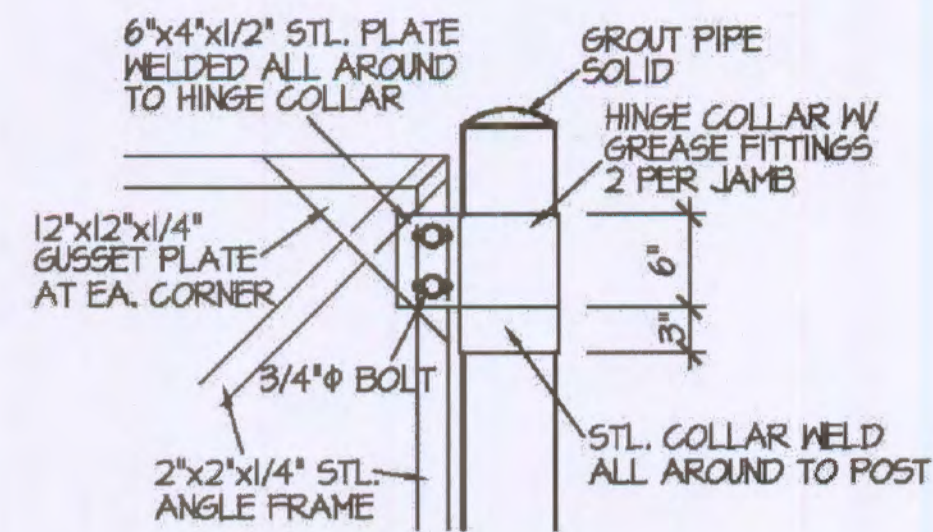


Hydraulflow Civil 3D 2012

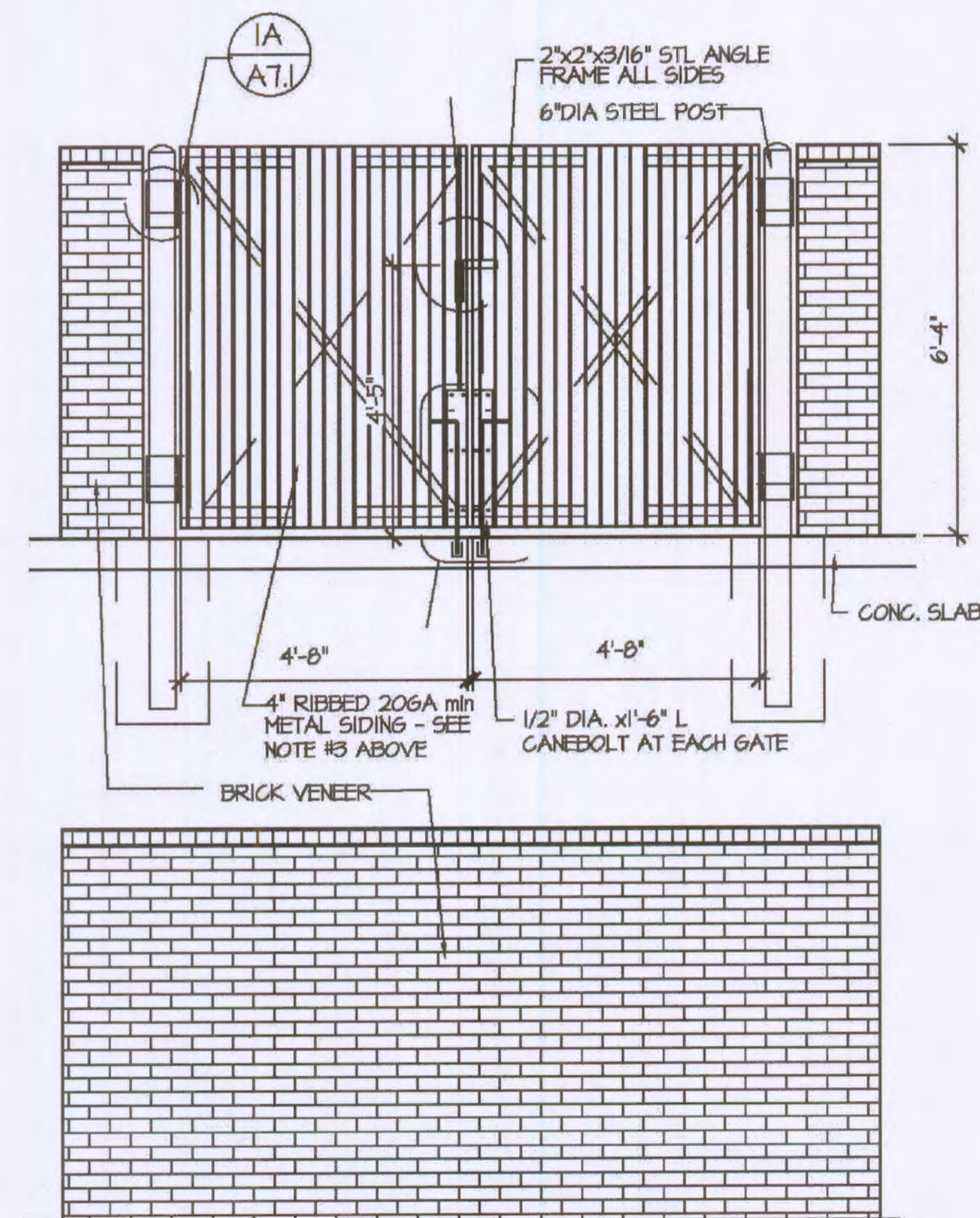
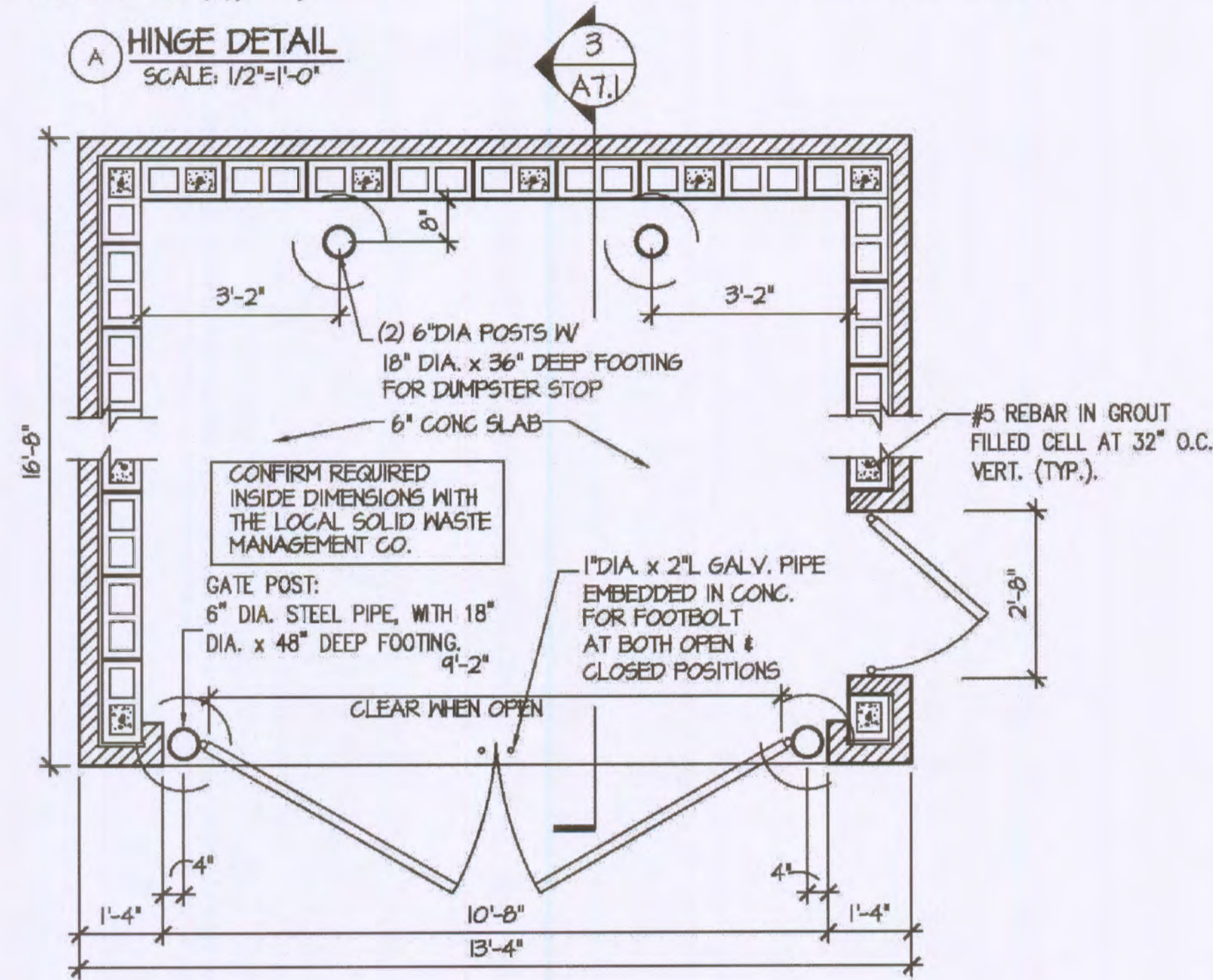
NOTES: ** Critical Depth: J-Line contain hyd jump

STRUCTURE		FLOWLINE		LENGTH	PIPE GRADE	PIPE SIZE	PIPE SHAPE	"n"	TOTAL Q	V	MINOR	ENERGY	HYD	HYD	LOWEST	FREEBOARD	CAPACITY	DEPTH	GIVEN
LOWER	UPPER	PIPE ID	UPPER	LOWER	FT.	%	IN		cfs	f.p.s.	LOSSES	LOSSES	GRADE DOWN	GRADE UP	OPENING			IN PIPE	TAILWATER ELEV
HYDRAULIC DATA 15 YEAR STORM																			
29	30	P-18	583.90	583.37	53.18	1.00	6	Cir	0.010	0.11	1.64	n/a	0.00	583.59	584.06	585.90	1.84	0.73	0.16**
28	29	P-17	583.37	582.23	69.00	1.65	8	Cir	0.010	0.23	1.99	n/a	0.00	582.50	583.59	586.60	3.01	2.02	0.22**
27	29	P-16	582.23	581.90	16.81	1.96	8	Cir	0.010	0.35	2.38	n/a	0.00	582.21	582.50	583.76	1.26	2.20	0.27**
21	27	P-15	581.90	579.86	102.02	2.00	10	Cir	0.010	0.51	1.98	n/a	0.00	580.46	582.21	583.60	1.39	4.03	0.31**
25	26	P-14	583.80	582.86	94.05	1.00	6	Cir	0.010	0.21	1.82	n/a	0.00	583.26	584.03	585.80	1.77	0.73	0.23**
24	25	P-13	582.86	582.30	55.76	1.00	6	Cir	0.010	0.61	3.59	n/a	0.00	582.71	583.26	585.65	2.39	0.73	0.40**
23	24	P-12	582.30	581.68	61.90	1.00	8	Cir	0.010	0.78	3.00	n/a	0.00	582.19	582.71	585.70	2.99	1.57	0.41**
22	23	P-11	581.68	580.92	75.56	1.01	8	Cir	0.010	1.17	3.97	n/a	0.00	581.46	582.19	585.70	3.51	1.57	0.51**
21	22	P-10	580.92	579.89	103.18	1.00	10	Cir	0.010	1.44	3.77	n/a	0.00	580.46	581.46	586.15	4.69	2.84	0.54**
8	21	P-9	579.86	579.29	56.61	1.00	12	Cir	0.010	1.95	4.02	0.25	0.00	579.89	580.46	585.70	5.24	4.63	0.60**
7	8	P-8	579.29	578.71	61.28	0.95	12	Cir	0.010	1.95	4.76	0.25	0.00	579.17	579.89	584.70	4.82	4.50	0.60**
6	7	P-7	578.71	574.15	141.54	1.12	15	Cir	0.013	4.50	4.52	n/a	0.00	575.22	576.60	582.71	6.11	6.84	0.86**
5	6	P-6	574.15	572.13	181.16	1.12	18	Cir	0.013	7.60	4.98	n/a	1.12	573.63	575.22	579.60	4.38	11.09	1.07**

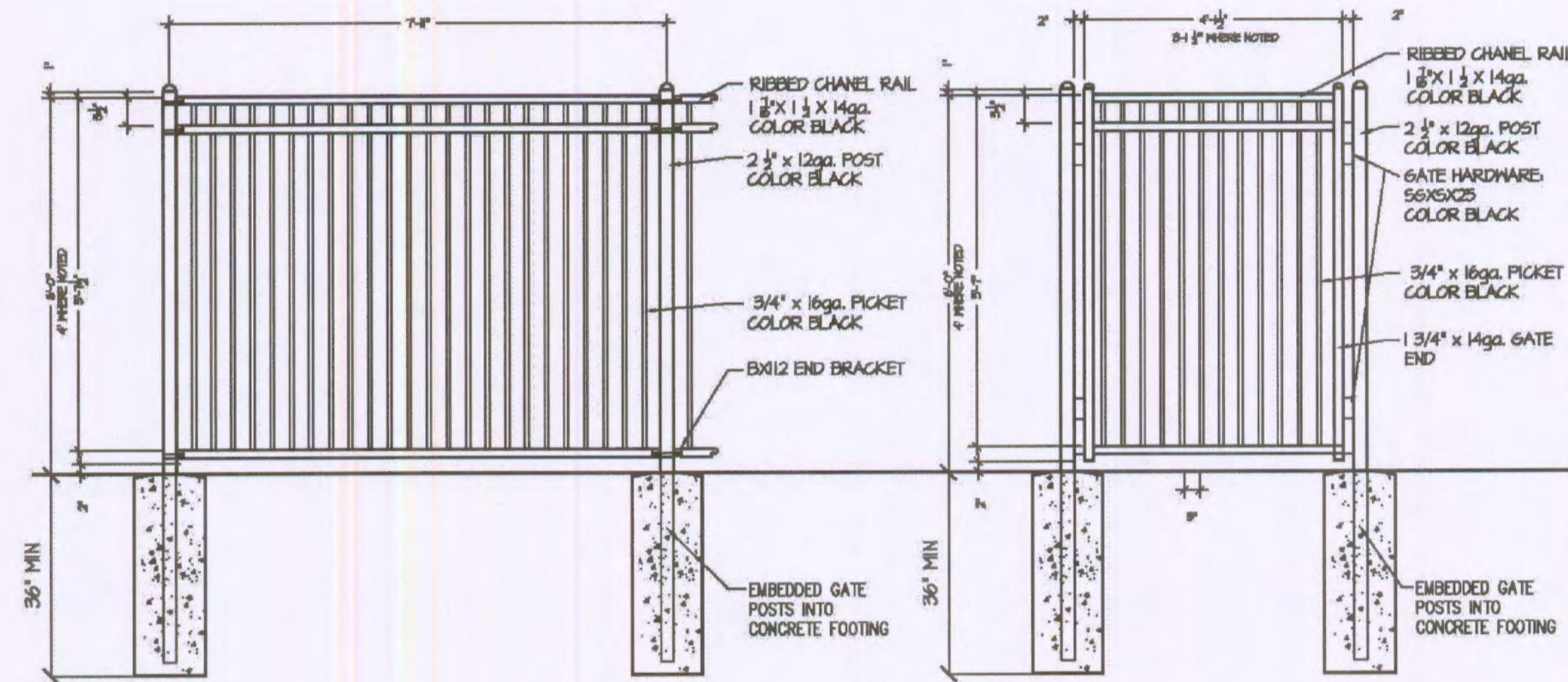


GEN. NOTES

- 1) 6" DIA STEEL POSTS SHALL BE SET A MINIMUM OF 36" INTO CONCRETE.
- 2) BRICK COLOR TO MATCH THE BRICK ON THE BUILDING, U.N.O.
- 3) PAINT DUMPSTER GATE, POST, HINGES AND ACCESSORIES AS SPECIFIED ON "EXTERIOR FINISH SCHEDULE".

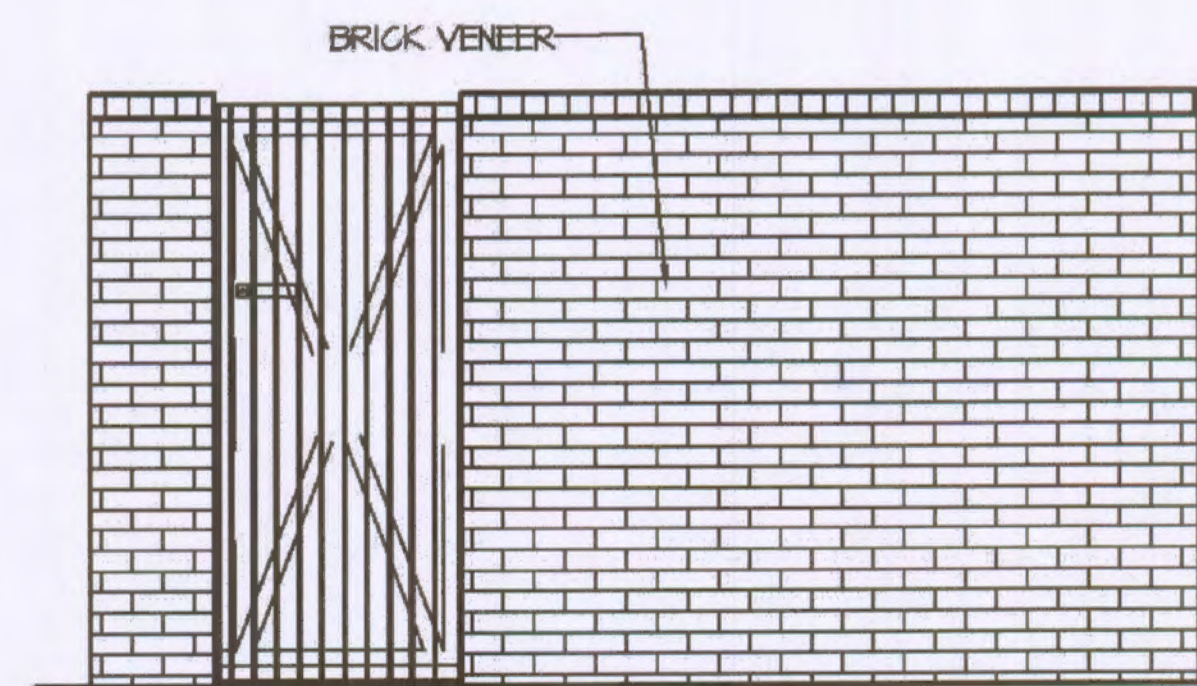


REAR ELEVATION LEFT SIDE ELEVATIONS ARE SIMILAR
1 DUMPSTER PLAN & ELEVATION



2 ORNAMENTAL FENCE
C10.2
6' HEIGHT AT PERIMETER FENCE
4' HEIGHT AT INTERIOR FENCE

3 ORNAMENTAL GATE
C10.2



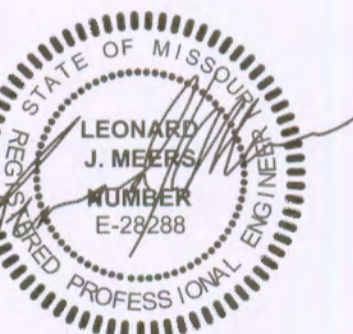
RIGHT SIDE ELEVATION

PROJECT TITLE

**PRIMROSE SCHOOL
OF O'FALLON AT
WINGHAVEN**
7778 WINGHAVEN BLVD,
O'FALLON, MISSOURI

GRIMES CONSULTING, INC.
Civil Engineering & Surveying Services

12000 OLD TESSON ROAD
SUITE 3000
JACKSONVILLE, MO 64501
PH: (314) 849-6100
FAX: (314) 849-6010
www.grimesconsulting.com
CONTACT: LARRY MEERS
EMAIL: larrym@grimesconsulting.com



5/20/14
LEONARD J. MEERS
PROFESSIONAL ENGINEER
E-29228

Developer / Owner Information

EVERGREEN
2390 E CAMELBACK RD, PHOENIX, ARIZONA
Primary Contact: ALEX GONZALEZ
Phone: (602) 462-2100
Fax: (602) 462-2100
Email: agonzalez@evgra.com

City of O'Fallon Site Details

P+Z No.
9831.54.03
City No.
TBD

Page No.

C10.2

GC# 1482D