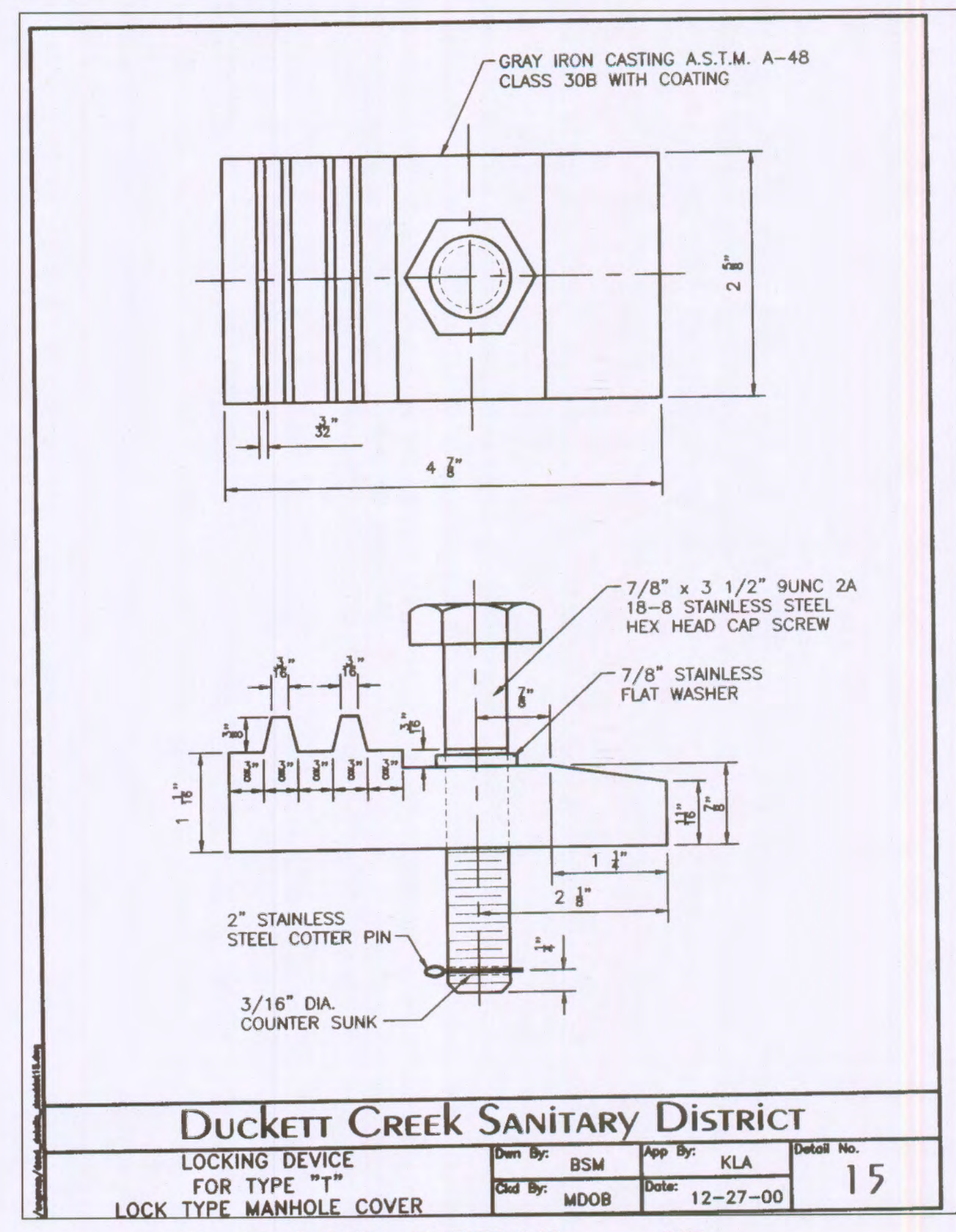
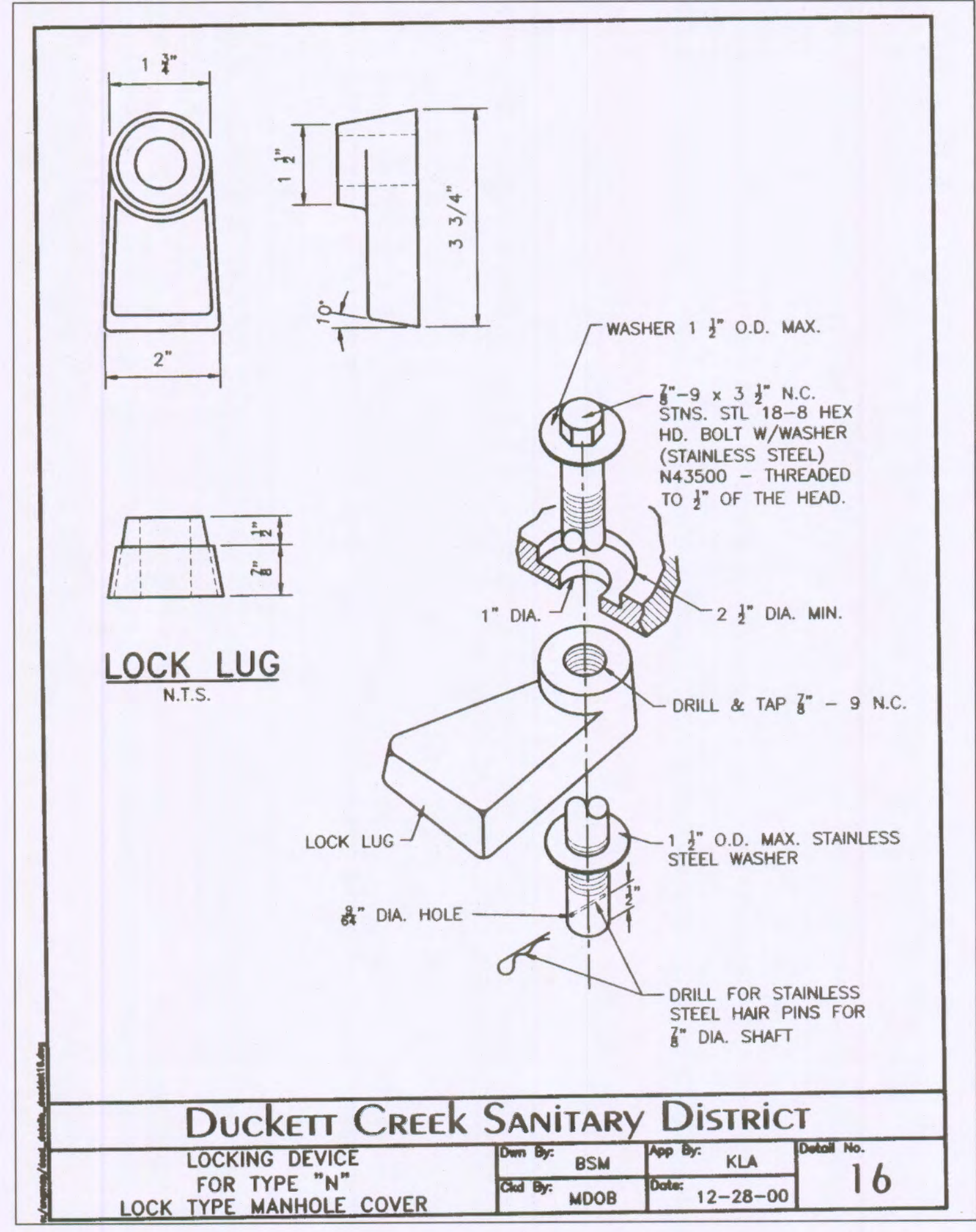


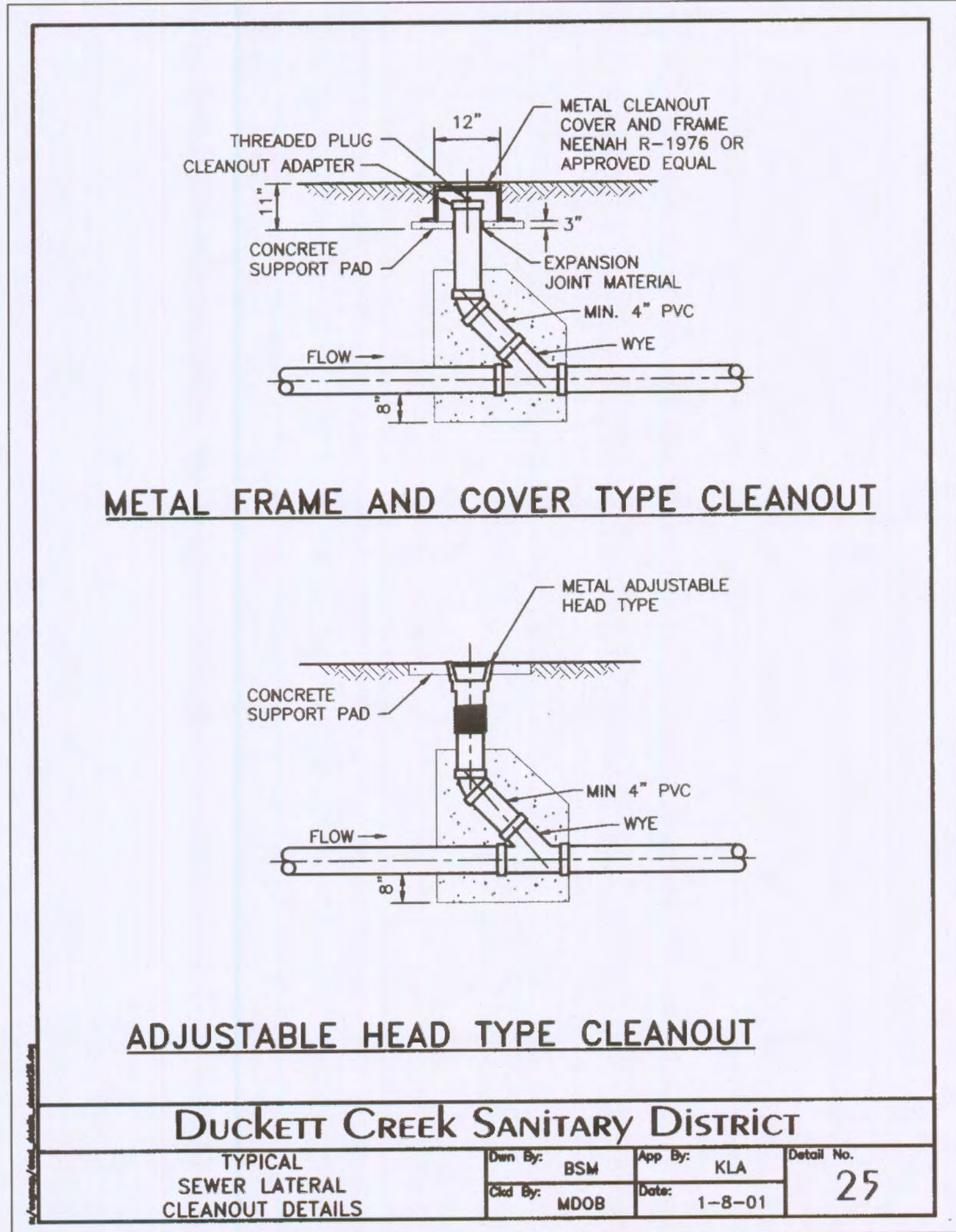
1 DCSD DETAIL - 14
C10.3



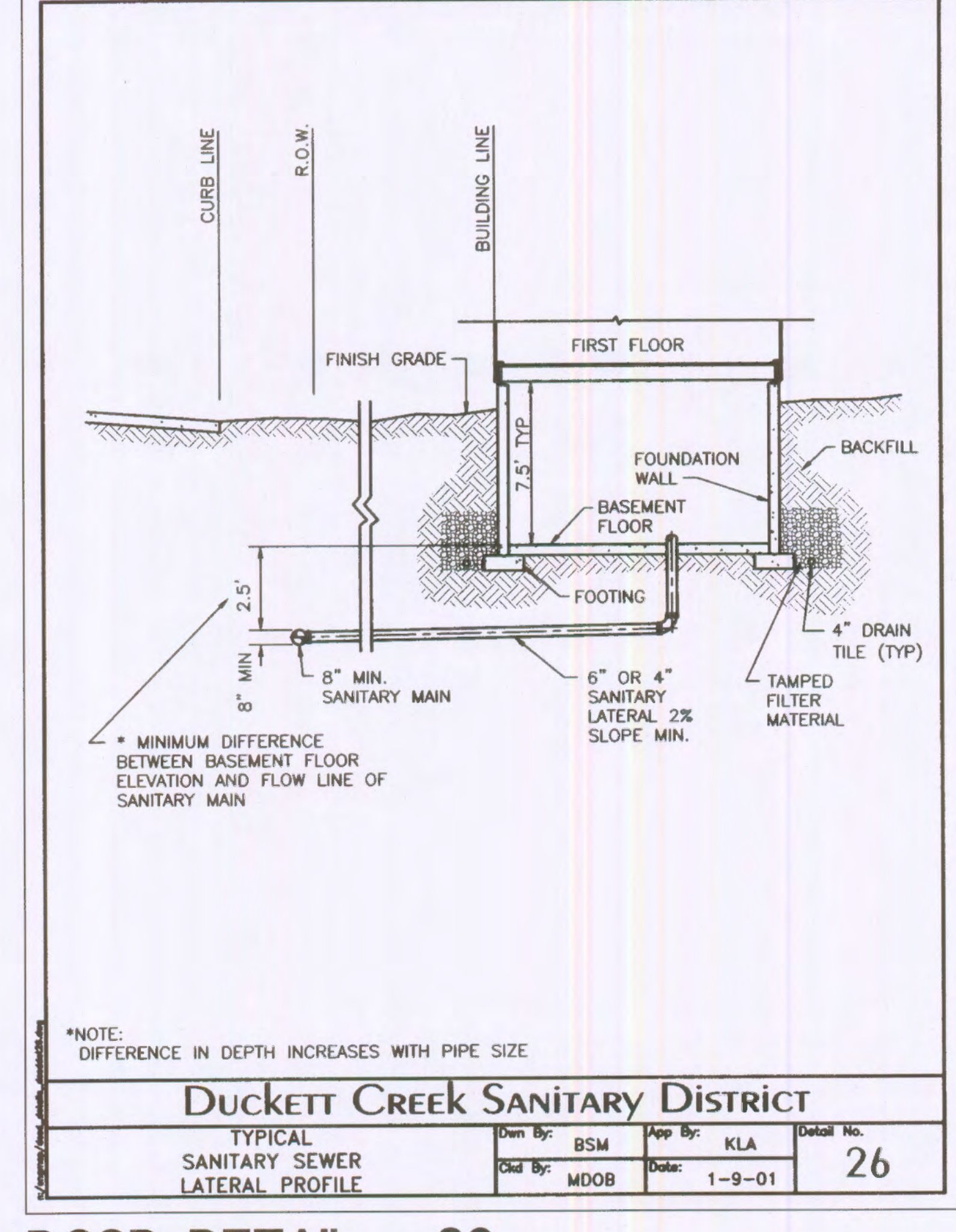
2 DCSD DETAIL - 15
C10.3



3 DCSD DETAIL - 16
C10.3



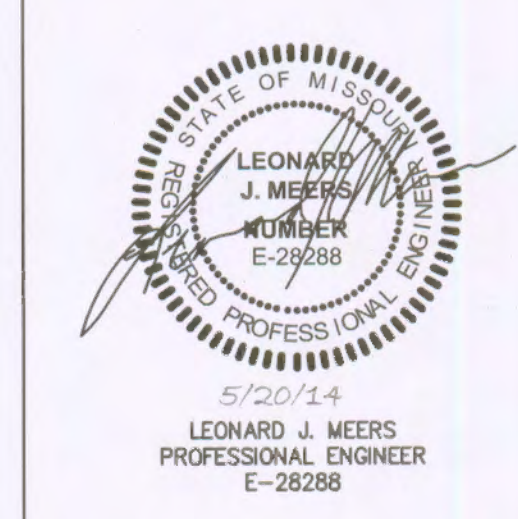
4 DCSD DETAIL - 25
C10.3



5 DCSD DETAIL - 26
C10.3

PROJECT TITLE
**PRIMROSE SCHOOL
OF OFFALLON AT
WINGHAVEN**
7778 WINGHAVEN BLVD,
OFFALLON, MISSOURI

GRIMES CONSULTING, INC.
Civil Engineering & Surveying Services
12300 OLD TESSON ROAD
ST. LOUIS, MO 63128
PH: (314) 849-6100
FAX: (314) 849-6010
www.grimesconsulting.com
CONTACT: LENNY MEERS
EMAIL: lenny@grimesconsulting.com



Developer / Owner Information
EVERGREEN
2990 E CAMELBACK RD, PHOENIX, ARIZONA
Primary Contact: ALEX GONZALEZ
24 Hr. Emergency Contact: ALEX GONZALEZ
Phone: (602) 567-7100
Fax: (602) 567-7101
Email: agonzalez@evgre.com

City of O'Fallon Duckett Creek Sewer Details

P+Z No. 983154.03
City No. TBD
Page No. C10.3
GC# 1482D