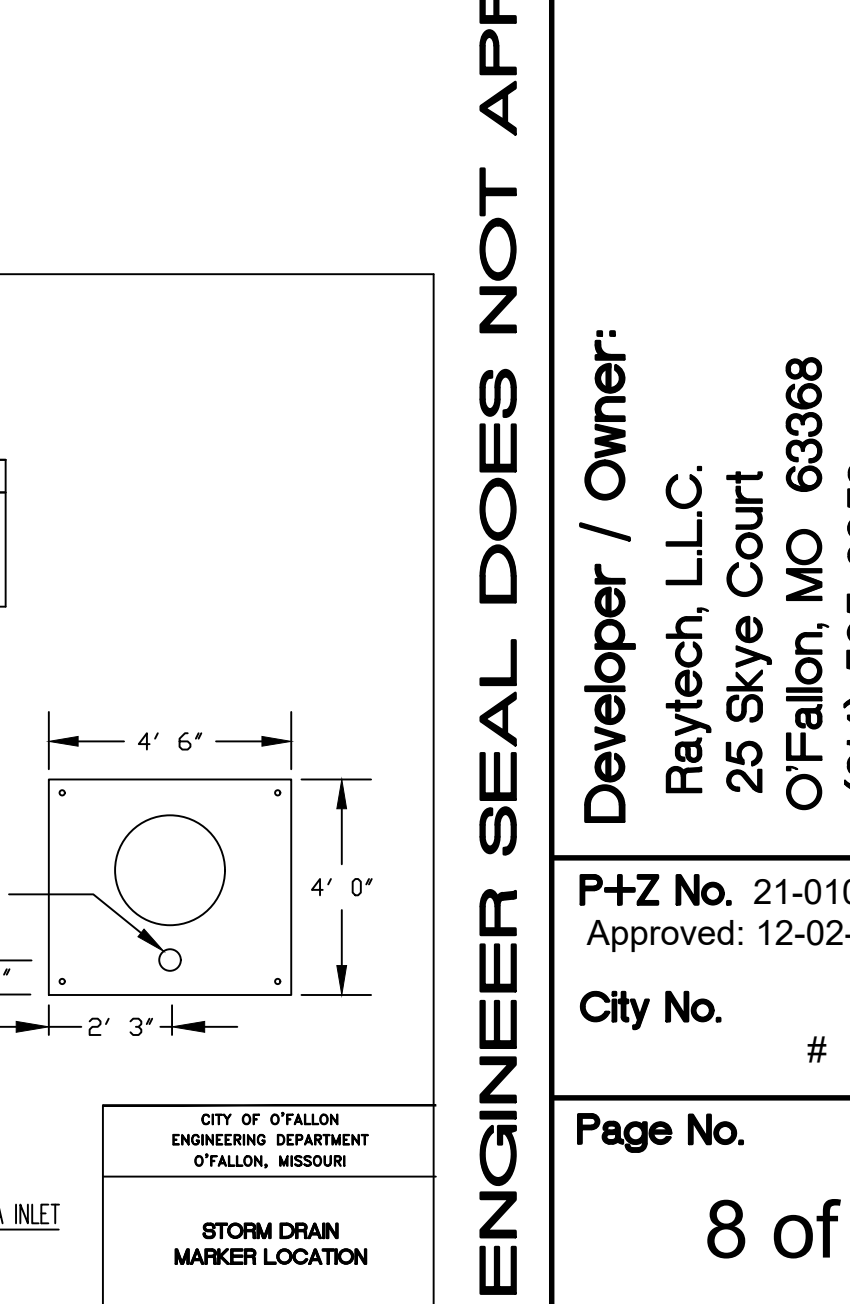
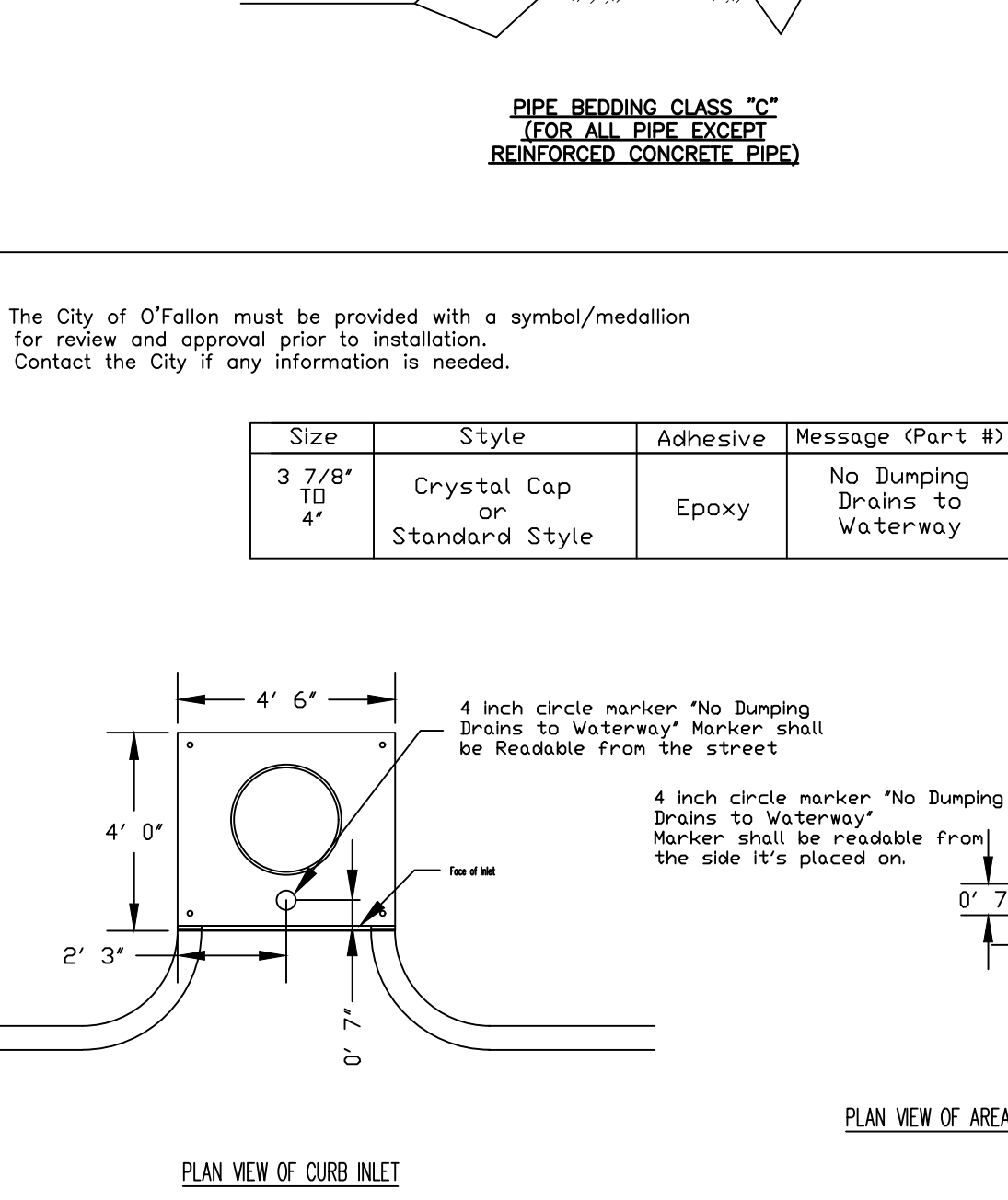
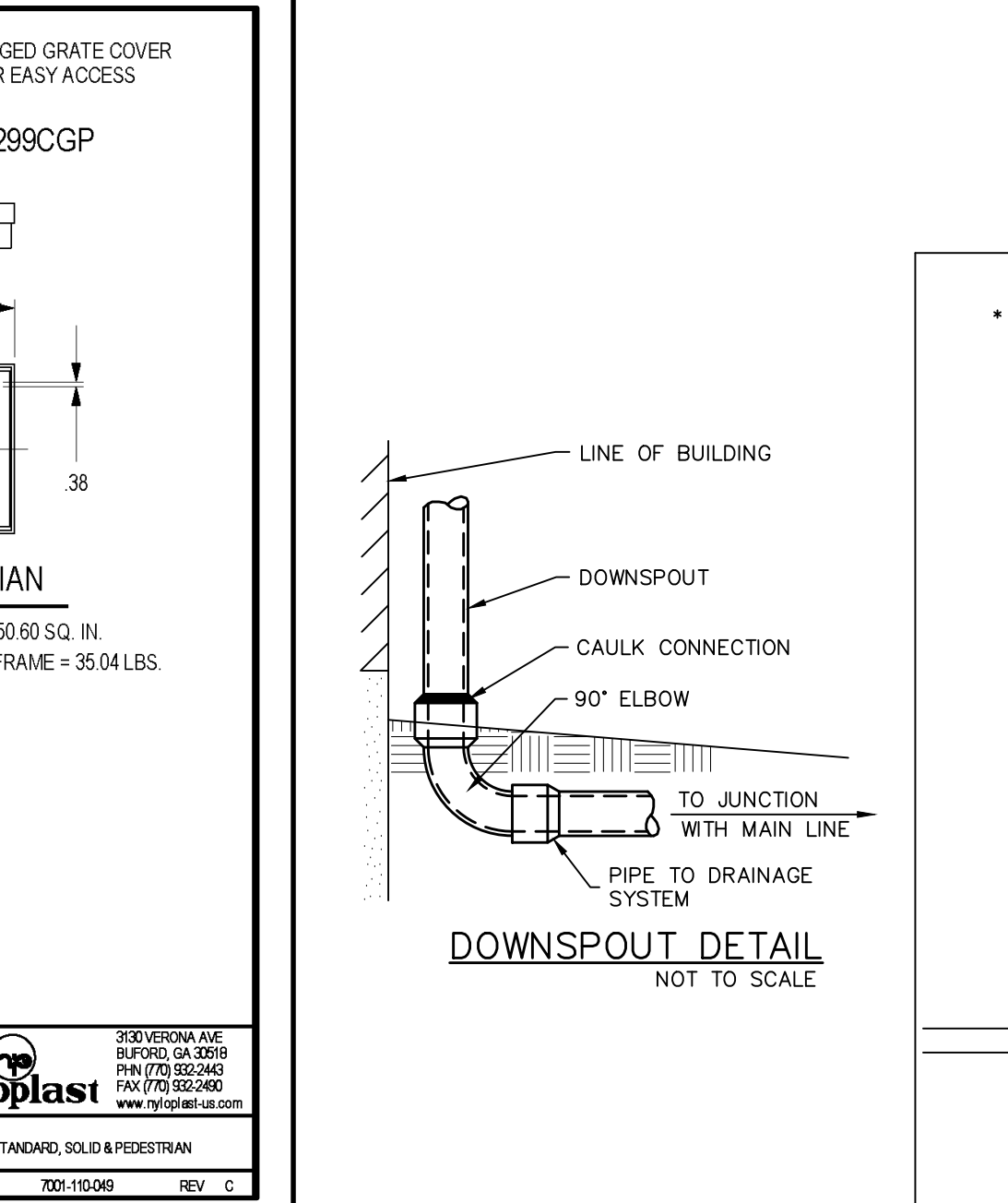
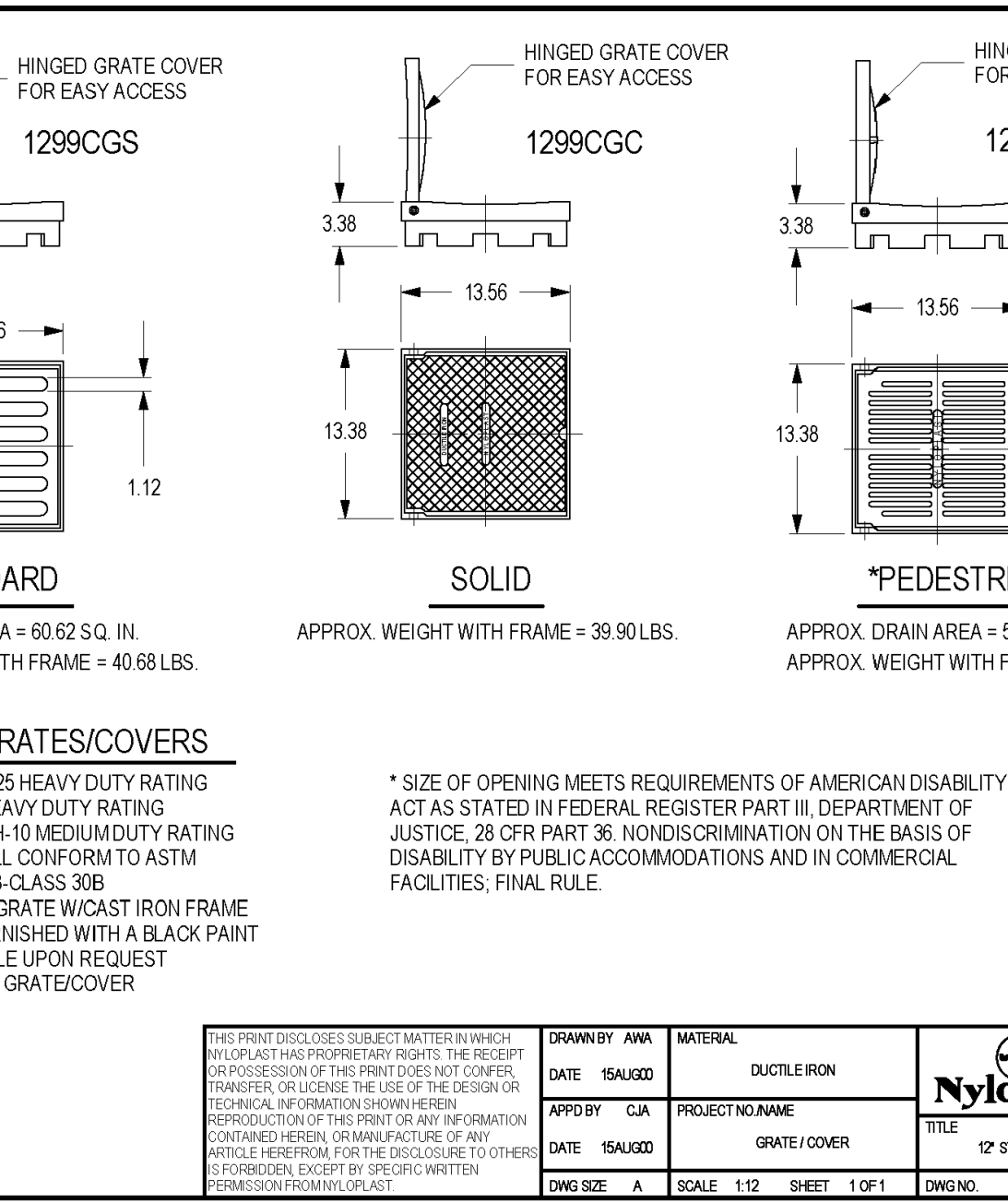
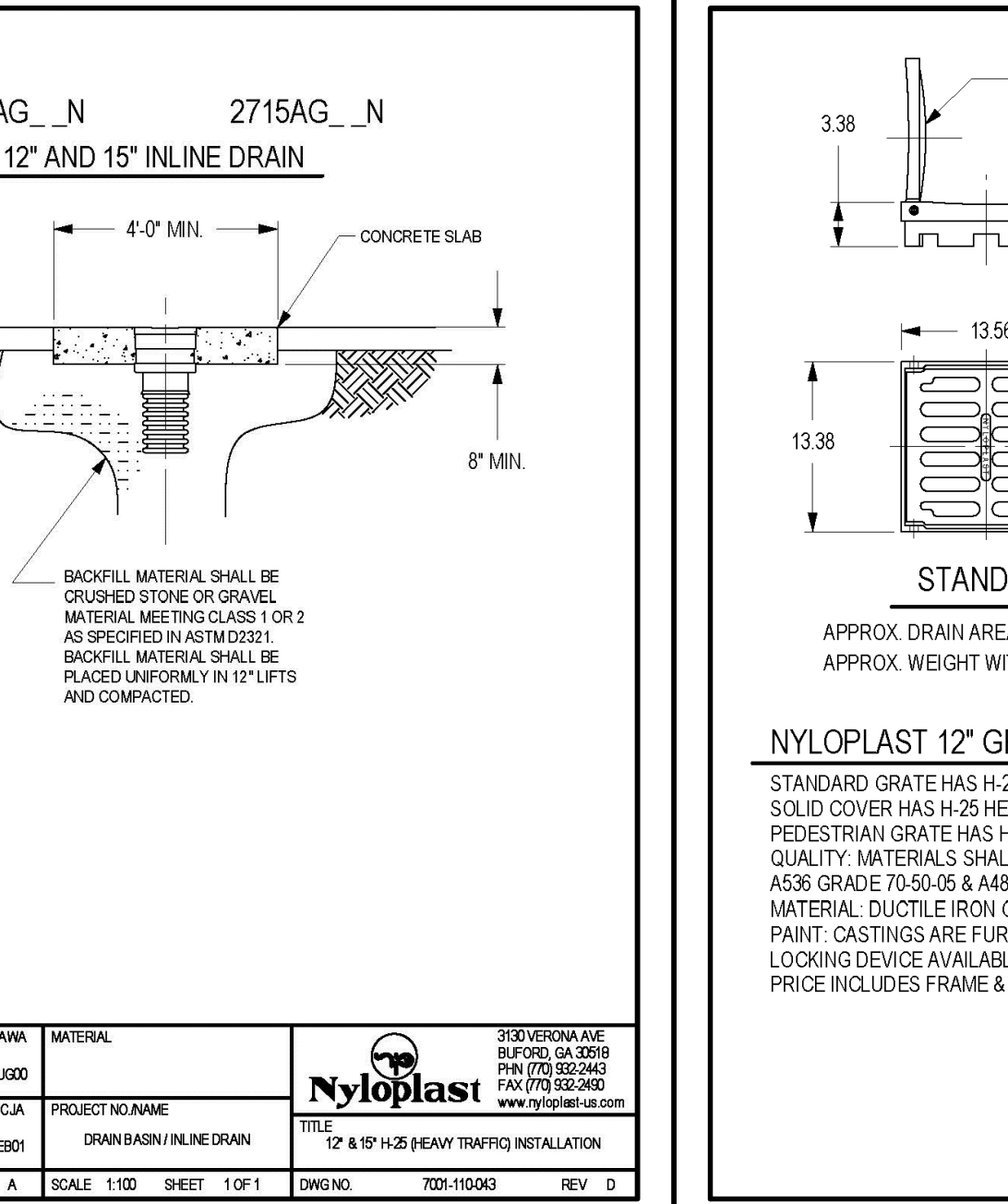
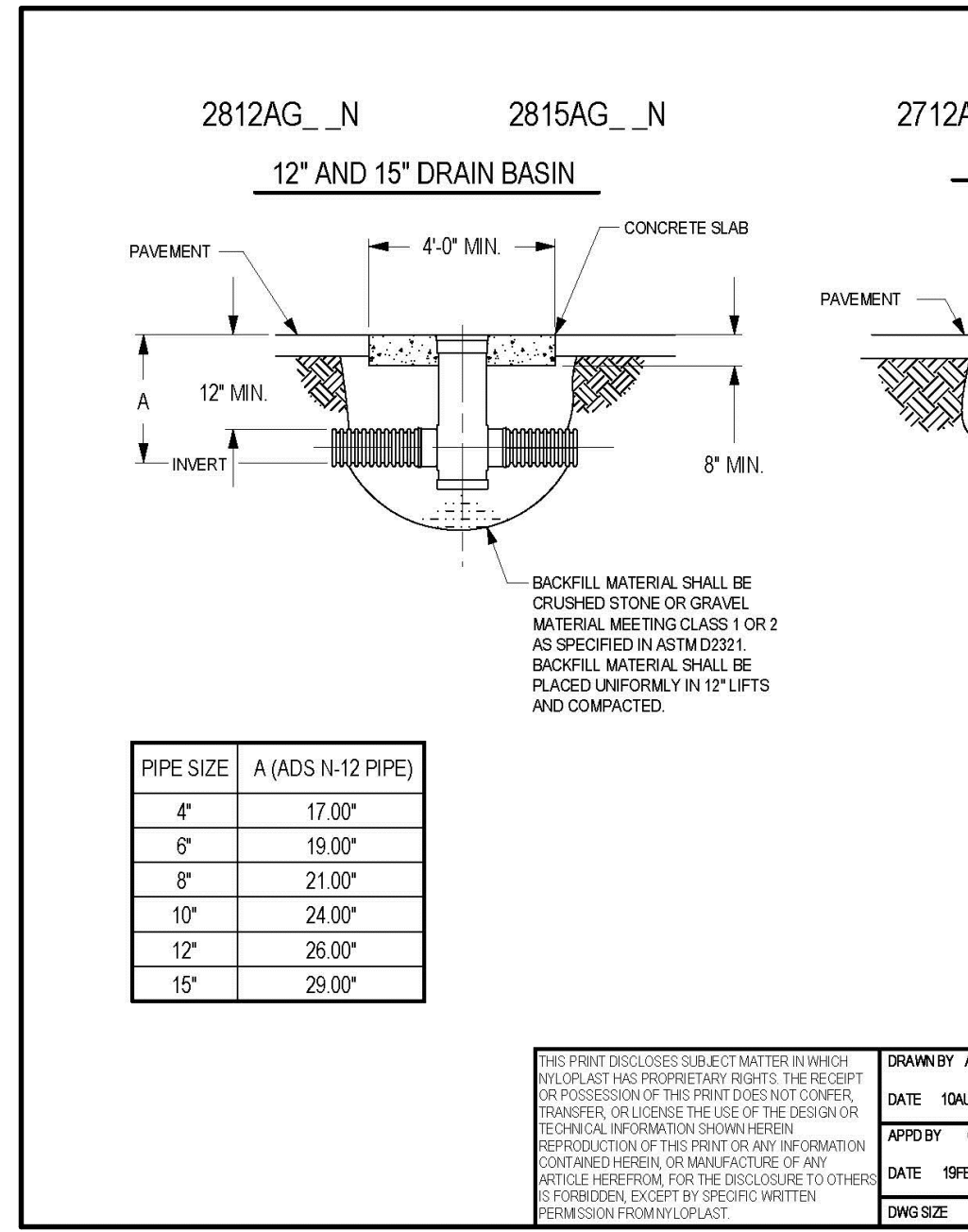
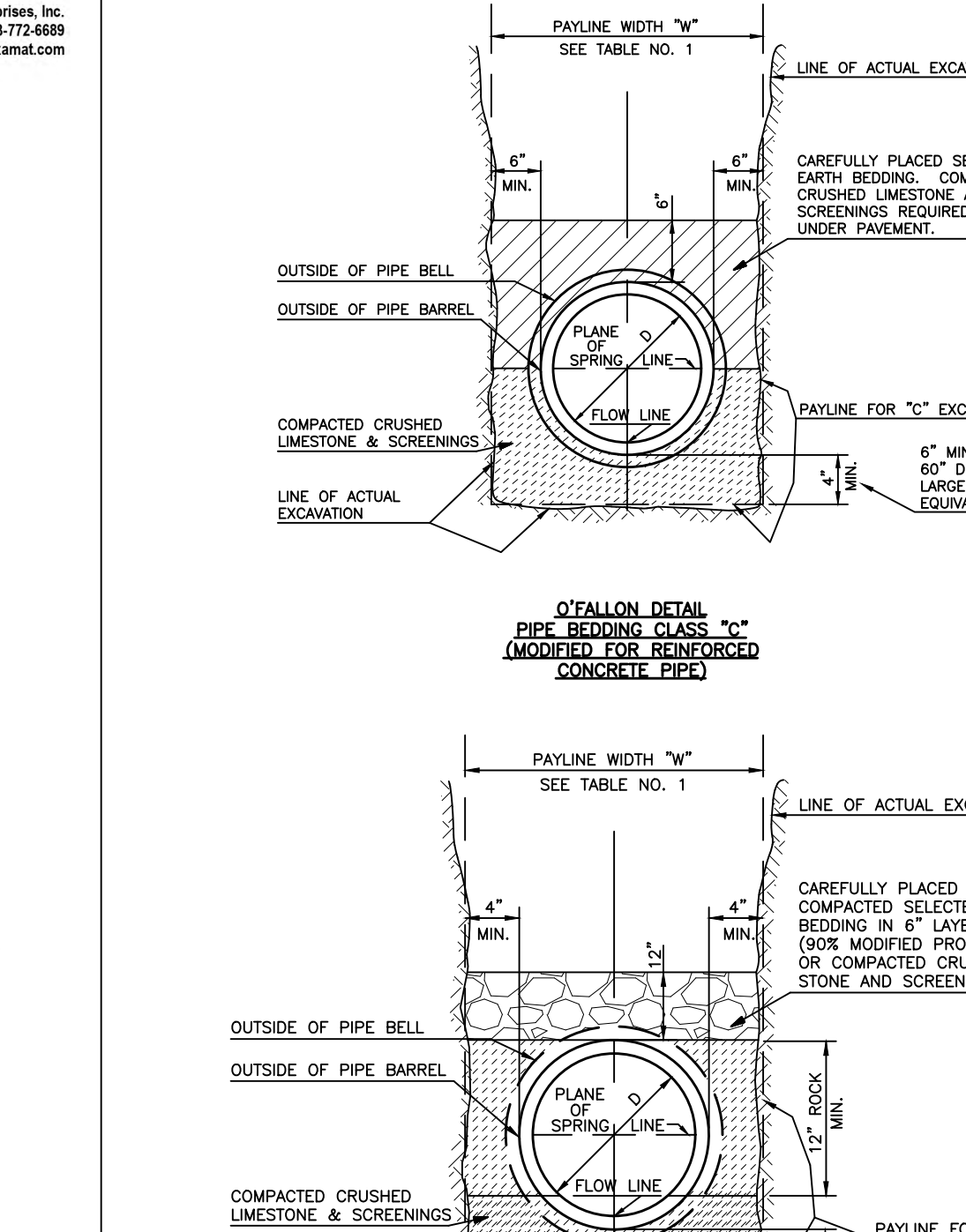
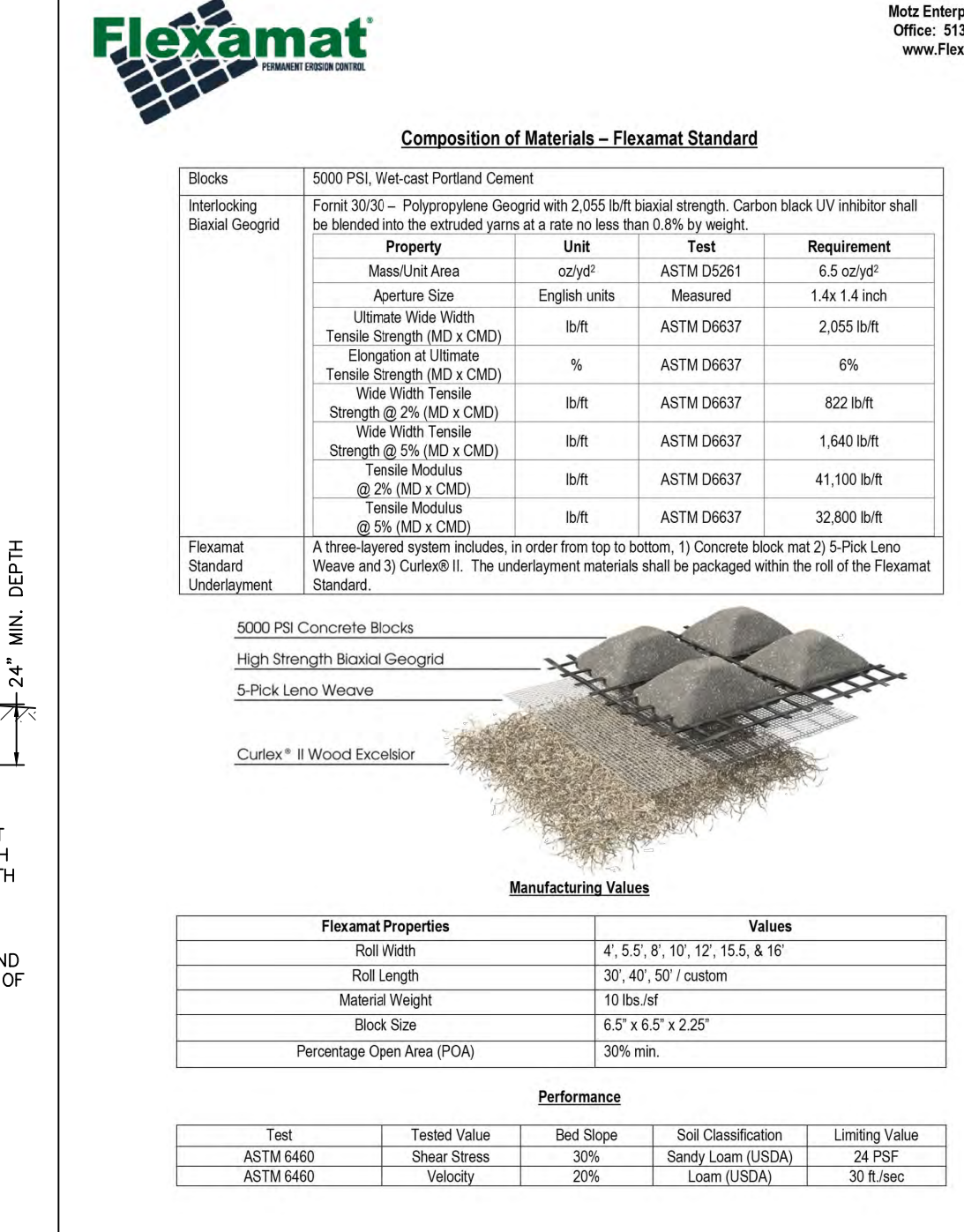
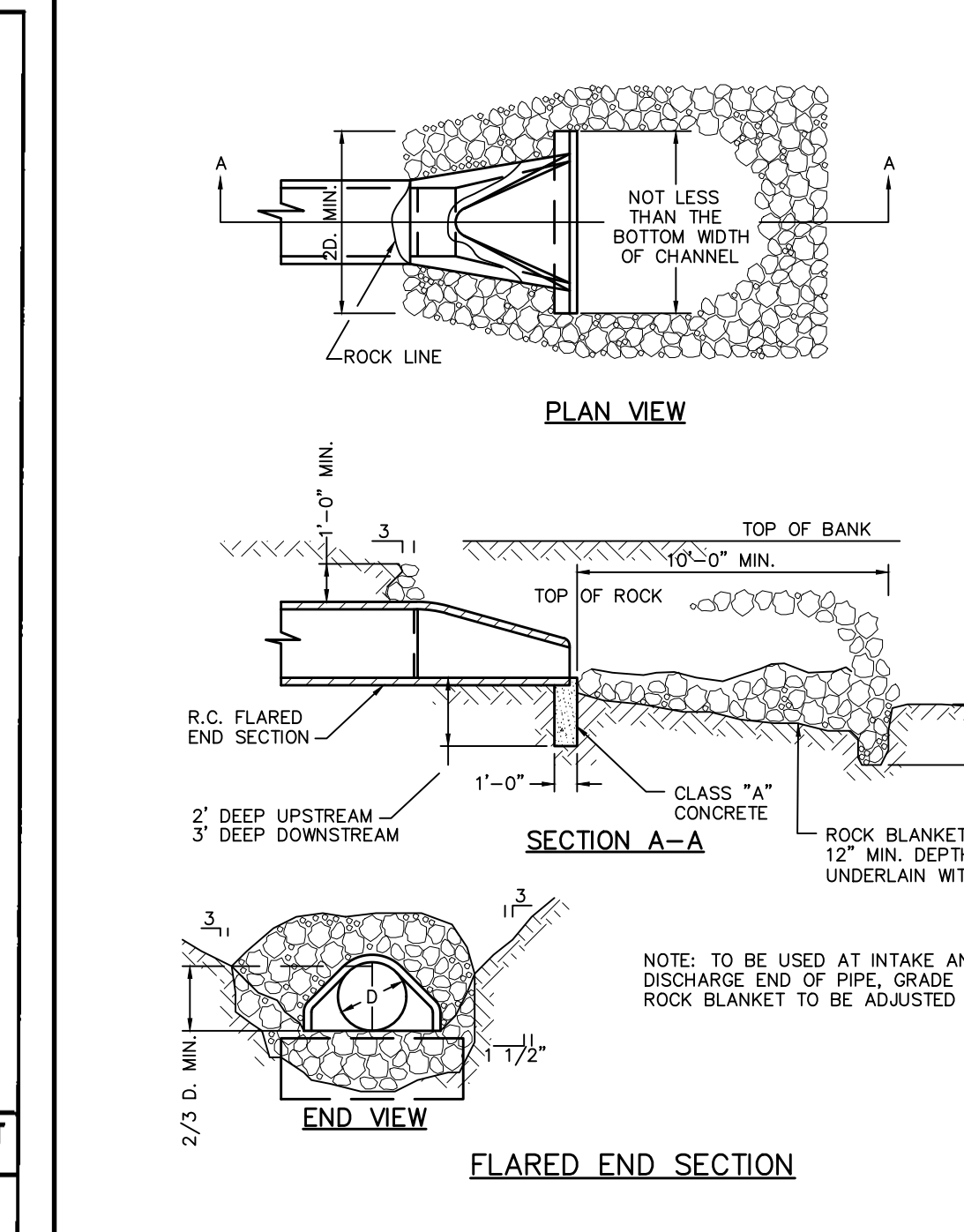
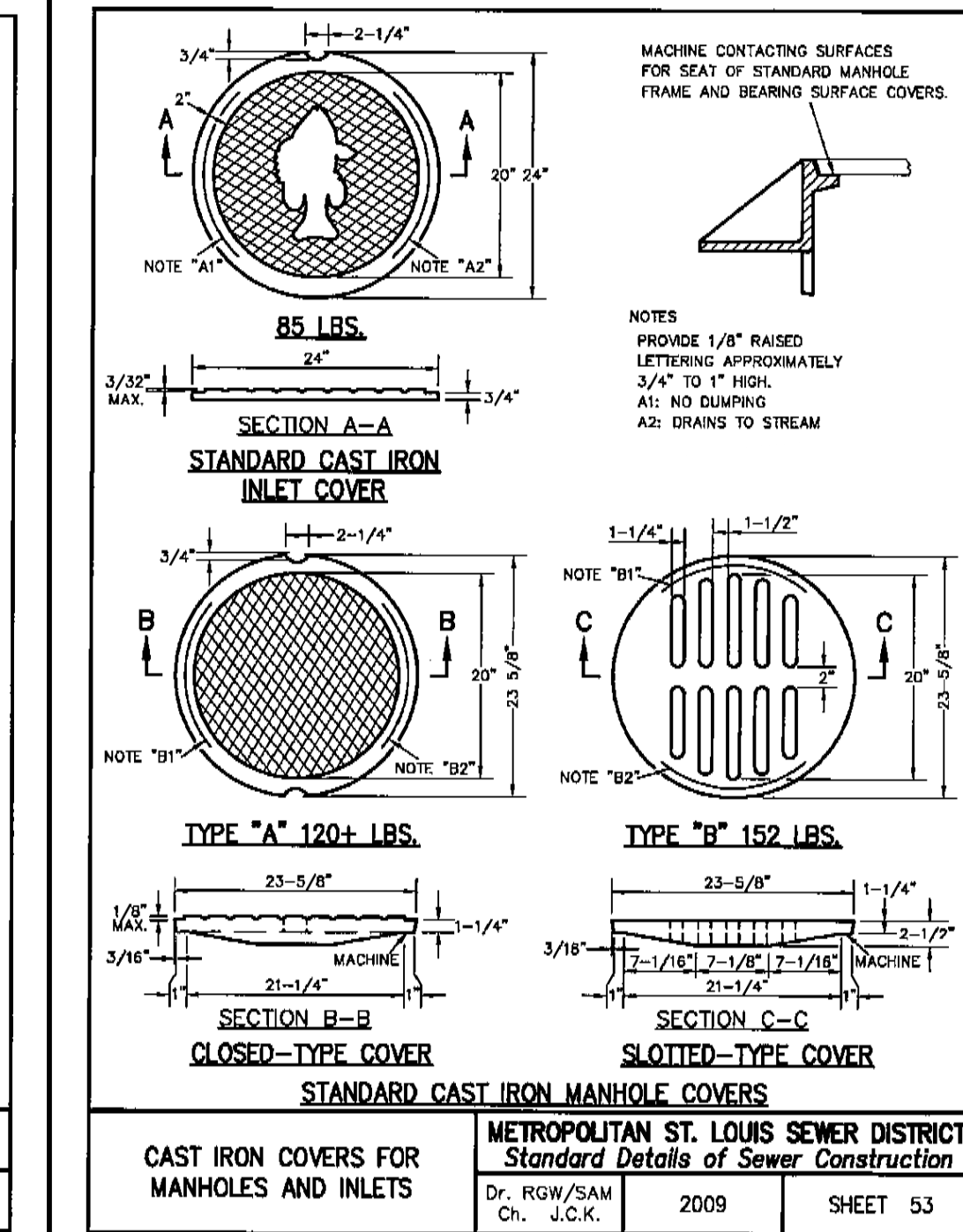
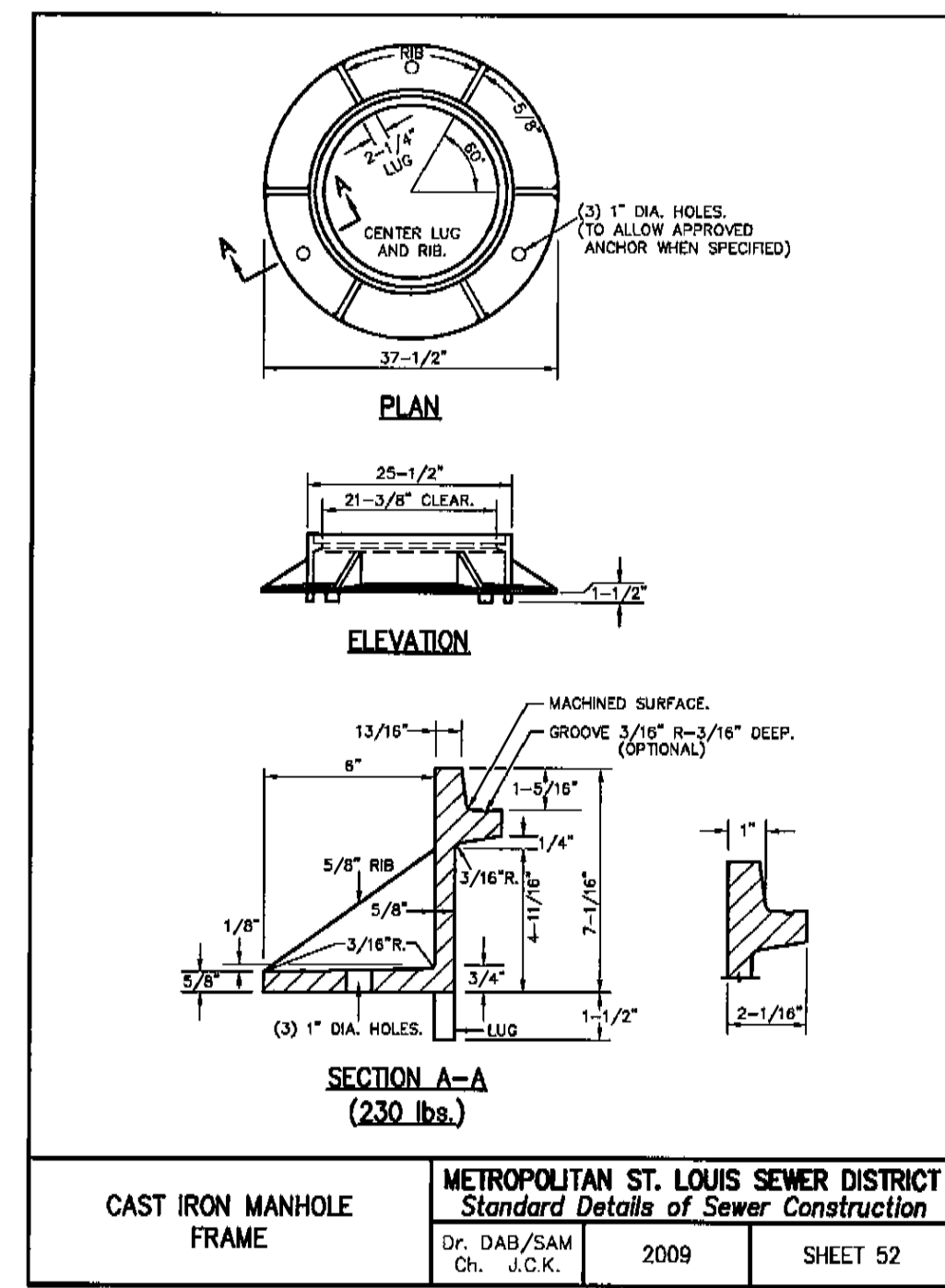
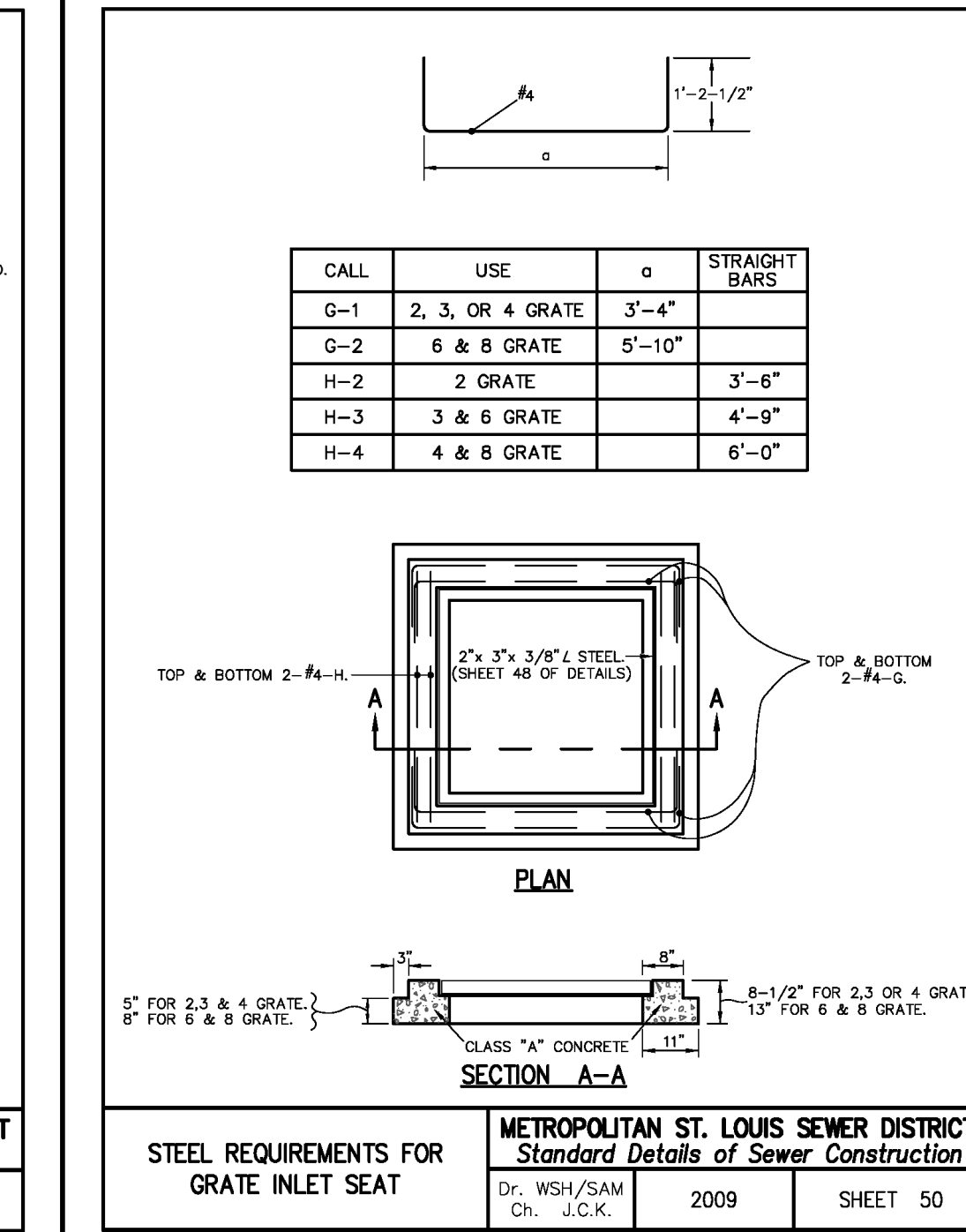
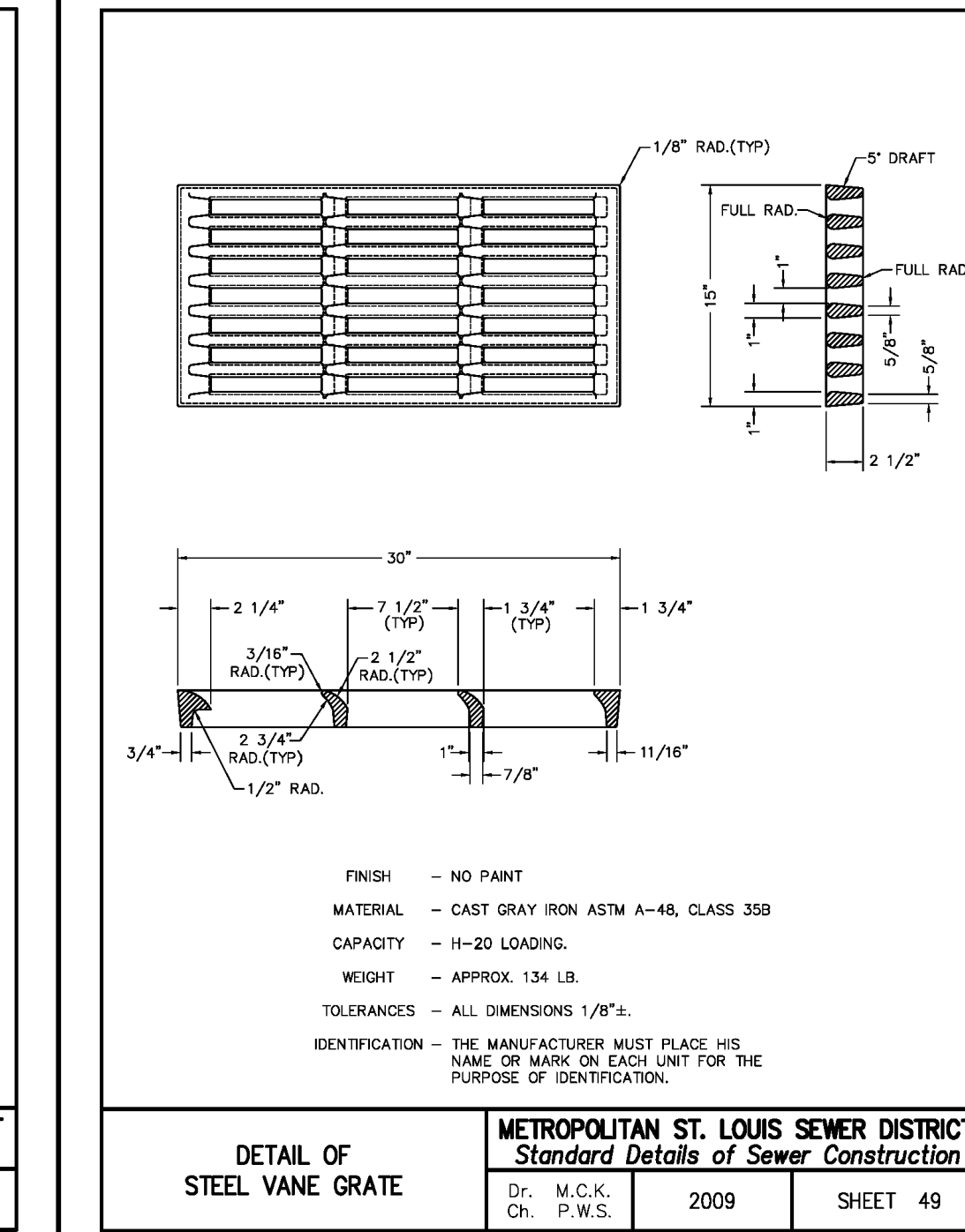
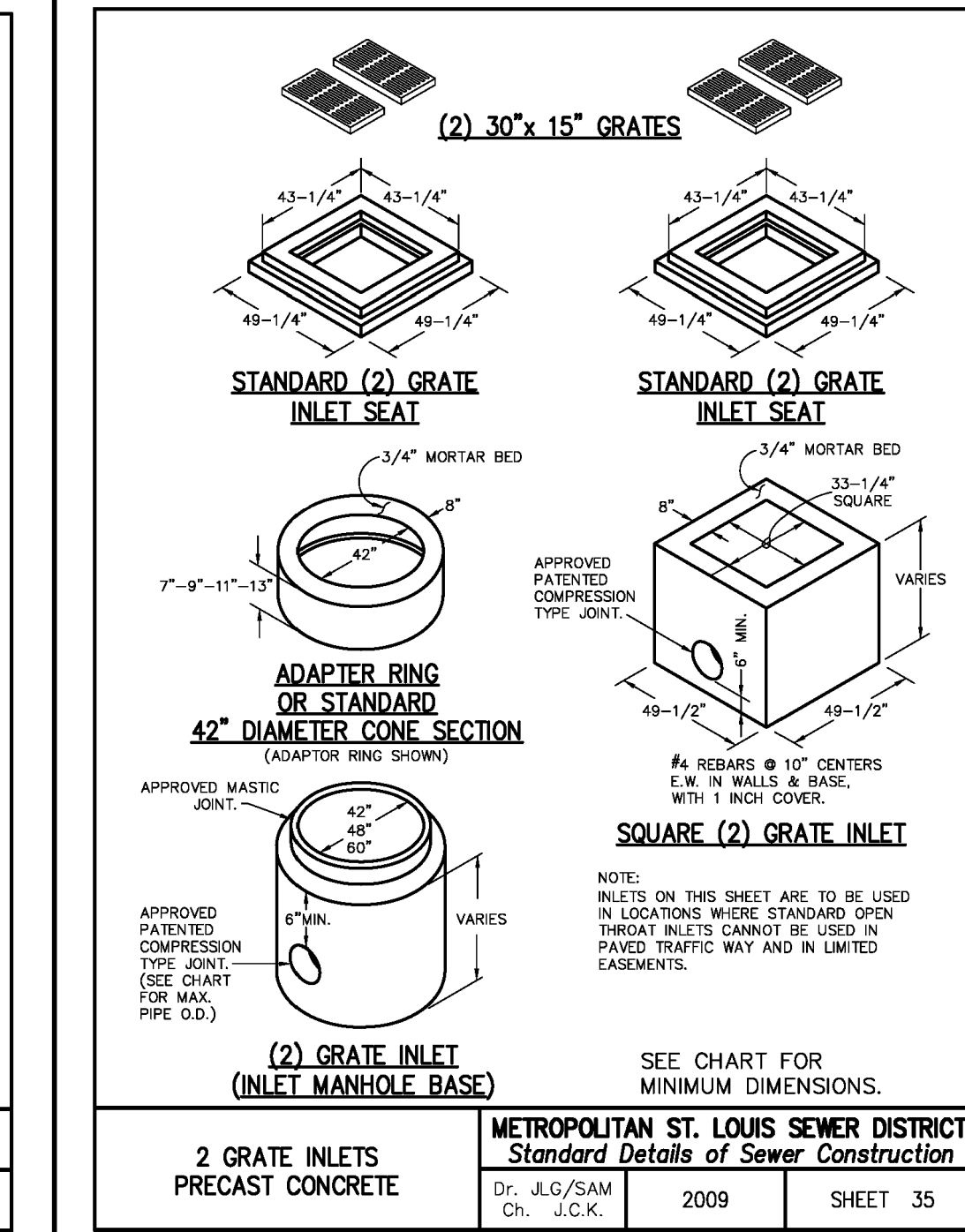
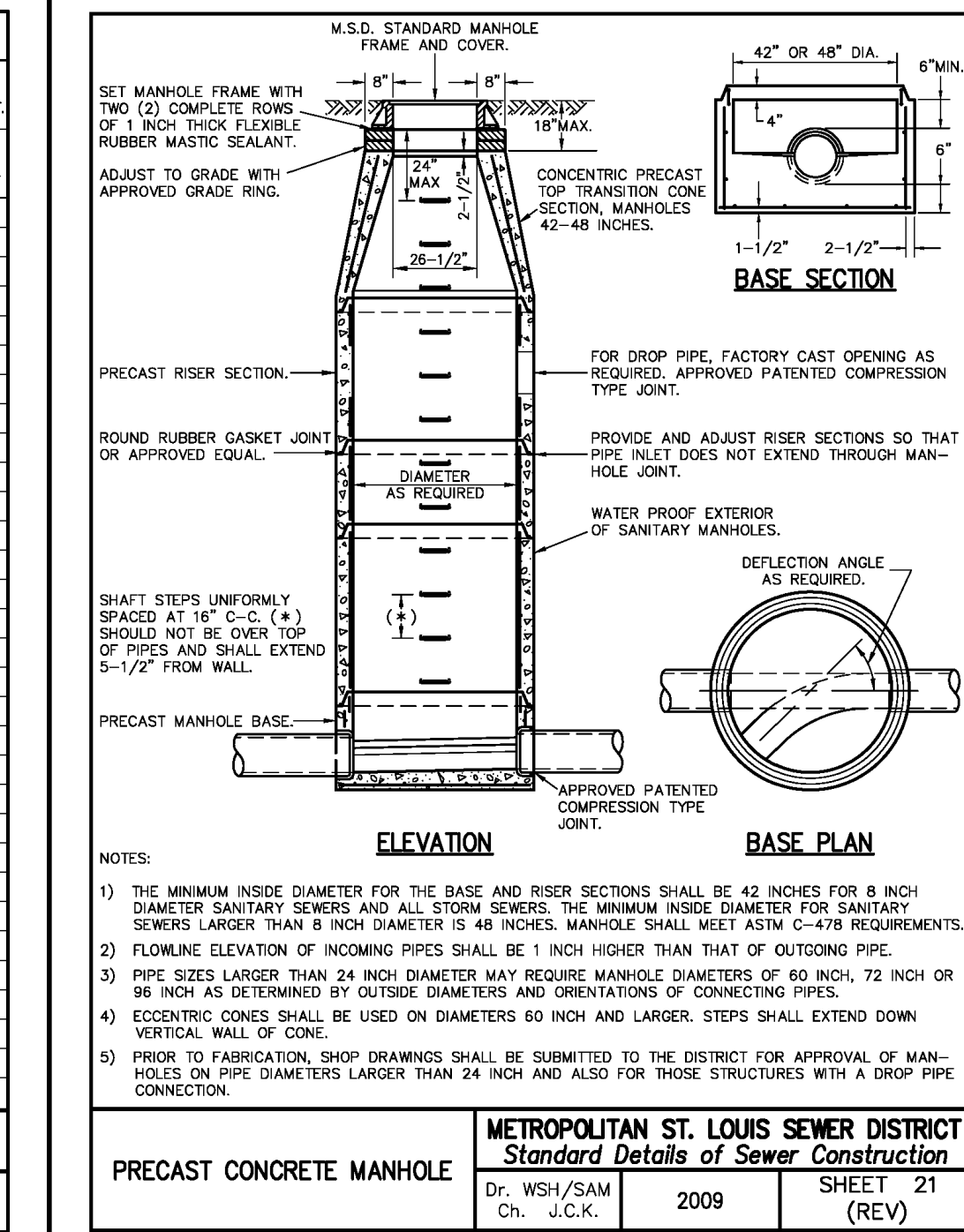


ROUND PIPE				HORIZONTAL ELLIPTICAL PIPE			
INSIDE DIAMETER OF PIPE (INCHES)	"N" PAYLINE WIDTH OF TRENCH (INCHES)	"W" PAYLINE WIDTH OF TRENCH (FEET)	PAY-VOLUMES CU. FT. PER FT.	INSIDE DIMENSIONS OF PIPE (INCHES)	"N" PAYLINE WIDTH OF TRENCH (INCHES)	"W" PAYLINE WIDTH OF TRENCH (FEET)	PAY-VOLUMES CU. FT. PER FT.
4	30	2.50	3.28				
6	30	2.50	3.59				
8	30	2.50	3.87				
10	30	2.50	4.09				
12	30	2.50	4.25				
15	36	3.00	5.55				
18	36	3.00	5.77	14 x 23	41	3.42	5.94
21	39	3.25	6.61				
24	42	3.50	7.39	19 x 30	49	4.08	7.68
27	45	3.75	8.18	22 x 34	53	4.42	8.61
30	49	4.08	9.30	24 x 38	58	4.83	9.70
33	53	4.42	10.53	27 x 42	62	5.17	10.71
36	56	4.67	11.43	29 x 45	66	5.50	11.72
39				32 x 49	71	5.92	13.14
42	63	5.25	13.38	34 x 53	75	6.25	14.05
48	70	5.83	15.67	38 x 60	83	6.92	16.18
54	77	6.42	18.15	43 x 68	92	7.57	18.81
60	84	7.00	20.73	48 x 76	101	8.42	21.59
66	91	7.58	23.45	53 x 83	109	9.08	24.35
72	98	8.17	26.37	58 x 91	118	9.83	27.45
78	105	8.75	29.39	63 x 98	126	10.50	30.50
84	112	9.33	32.57	68 x 106	135	11.25	33.91
90	119	9.92	35.90	72 x 113	143	11.92	36.99
96	126	10.50	39.37	77 x 121	152	12.67	40.69
102	133	11.08	42.99	82 x 128	160	13.33	44.45
108	140	11.67	46.75	87 x 136	168	14.00	47.79
114	147	12.25	50.66	92 x 143	176	14.67	51.70
120	154	12.83	54.72	97 x 151	185	15.42	56.01
126	161	13.42	58.92				
132	168	14.00	63.27	106 x 156	202	16.83	64.48
144	182	15.17	72.40	116 x 180	218	18.17	73.59



ENGINEER SEAL DOES NOT APPLY TO MSD, FLEXAMAT, NYLOPLAST AND CITY OF OFALLON DETAILS

**PROJECT TITLE:**  
 CONSTRUCTION PLANS FOR  
 Progressive Installations  
 Building Addition  
 8478 Mexico Road  
 O'Fallon, MO 63376

**ENGINEERING FIRM:**  
 PLANNING SURVEYING  
 22 Point View Blvd.  
 St. Charles, MO 63301  
 636-928-5562  
 FAX 928-1718

DISCLAIMER OF RESPONSIBILITY  
 I hereby specify that the documents intended to be authorized by my seal are limited to this sheet, and I hereby disclaim any responsibility for all other drawings, specifications, instructions, reports or other documents or instruments existing or intended to be used for any part or parts of the architectural or engineering project.

**Professional Engineer**  
 License No. 1051722  
 Larry J. Walker  
 Civil Engineer  
 2007020343  
 Copyright © 2002  
 Bix Engineering Company, Inc.  
 Authority No. 000655  
 All Rights Reserved

**REVISIONS**

NO.	DATE	DESCRIPTION
09-16-22	CITY COMMENTS	
10-18-22	CITY COMMENTS	

**Developer / Owner:**  
 Raytech, L.L.C.  
 25 Skye Court  
 O'Fallon, MO 63368  
 (314) 565-8053

**P+Z No.:** 21-010104  
 Approved: 12-02-21

**City No.:** #

**Page No.:** 8 of 9

**CONSTRUCTION DETAILS**