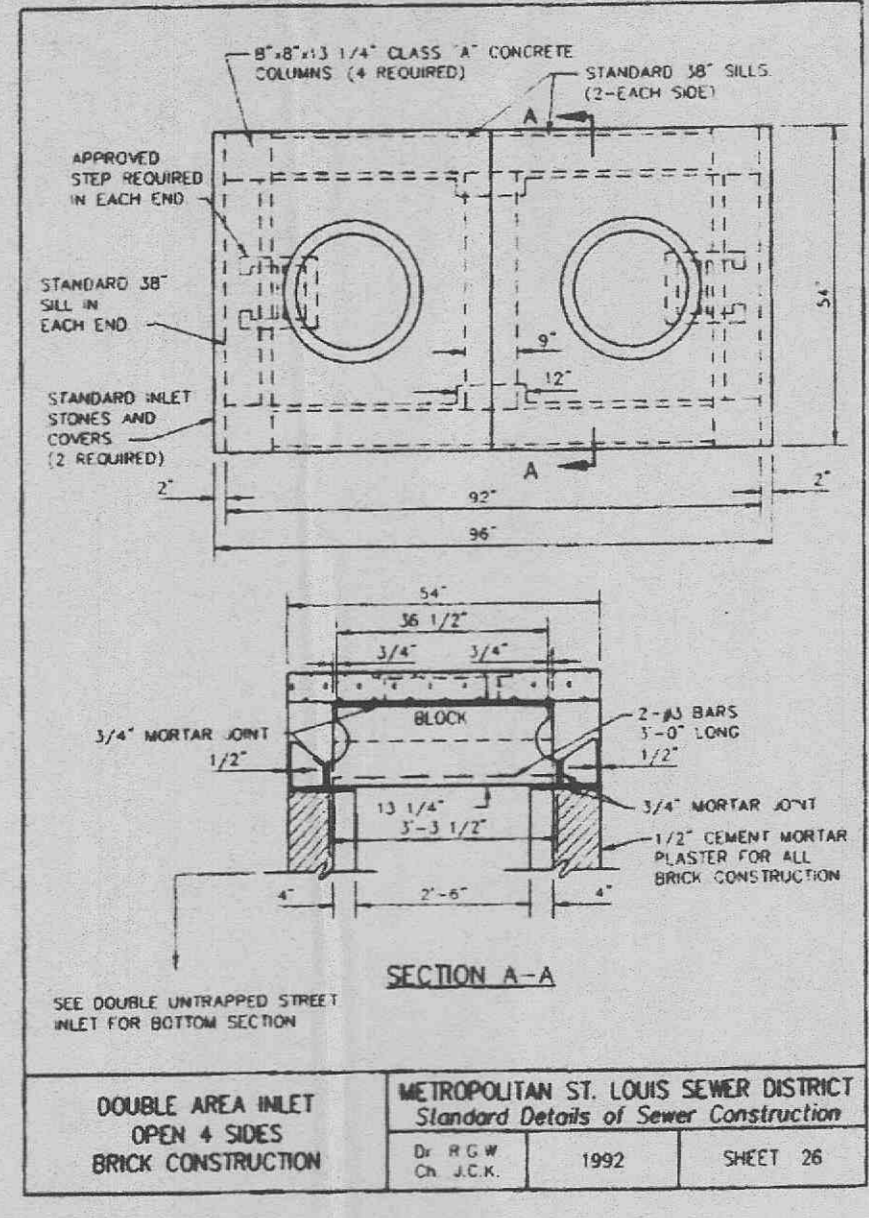
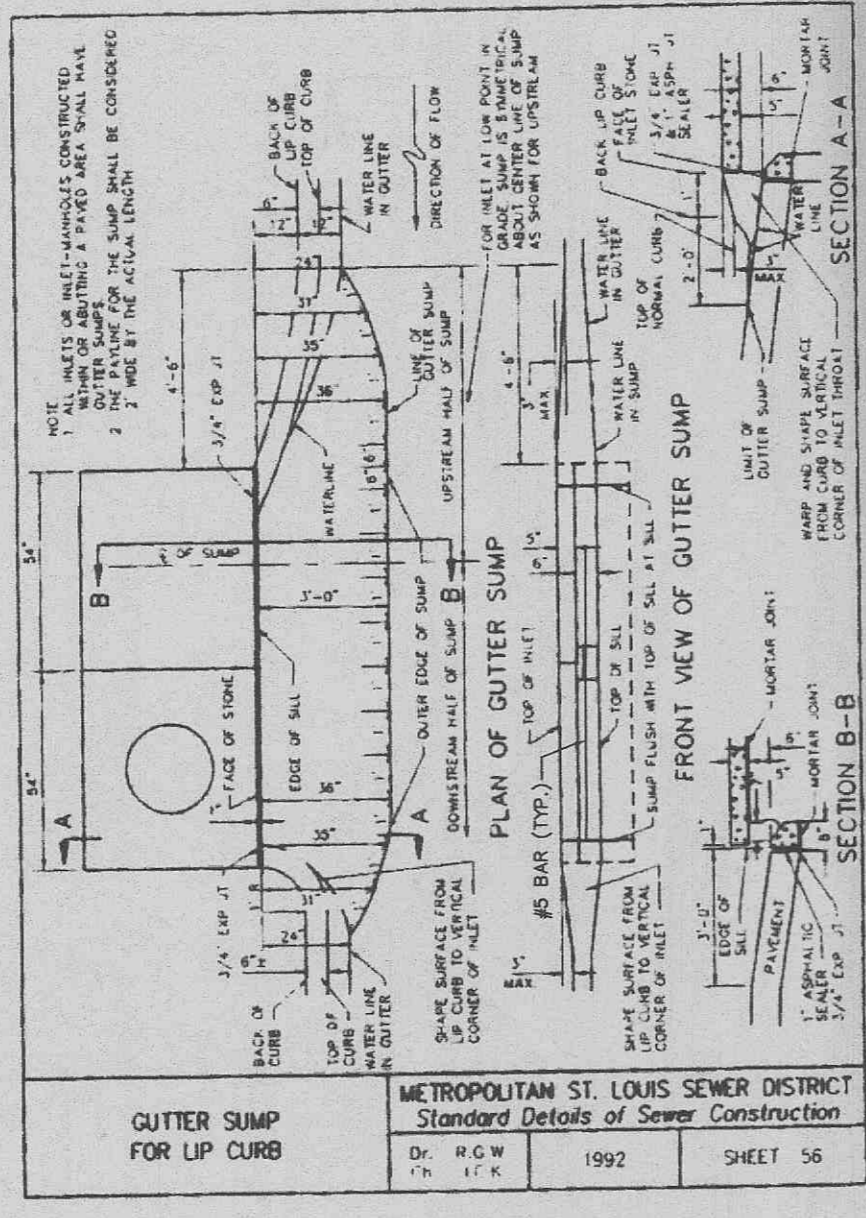


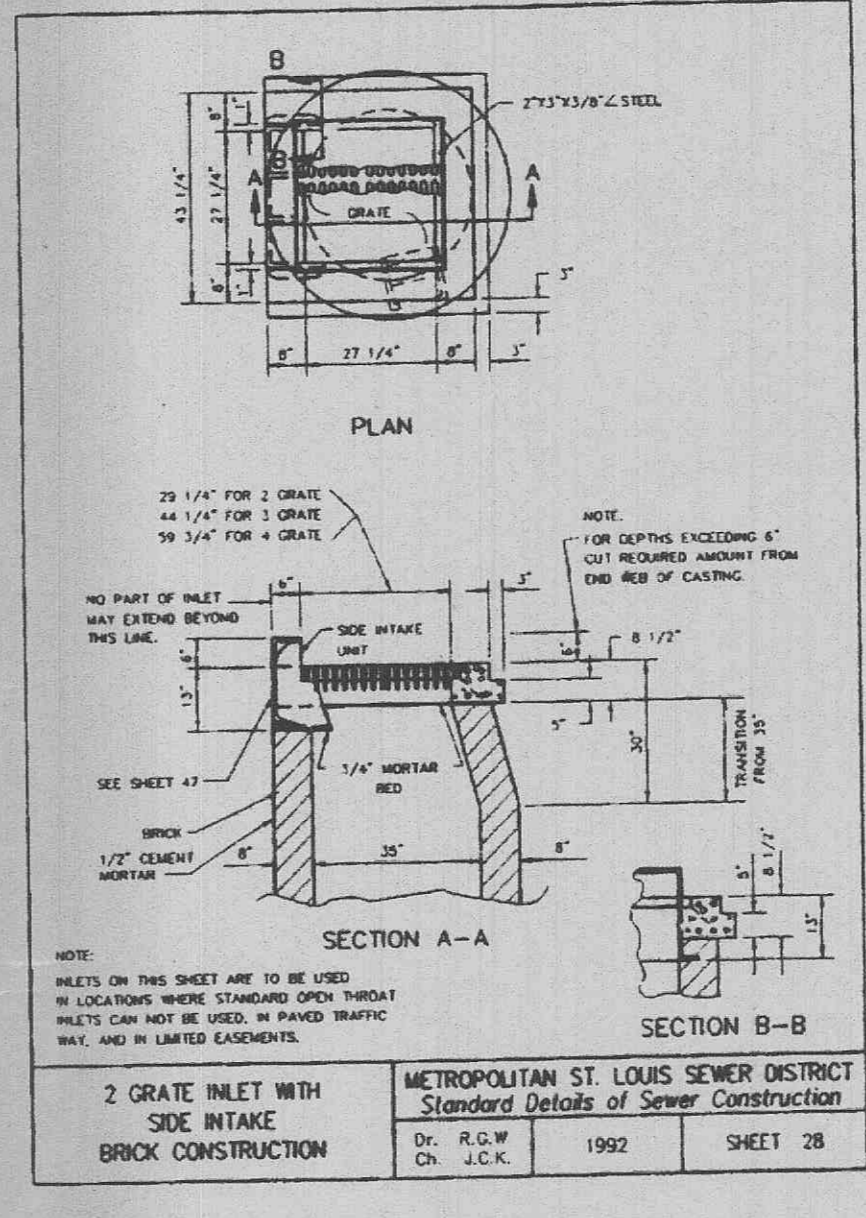
AREA INLET MANHOLE (12" THRU 24")  
METROPOLITAN ST. LOUIS SEWER DISTRICT  
Standard Details of Sewer Construction  
Dr. R.G.W. Ch. J.C.K. 1992 SHEET 25



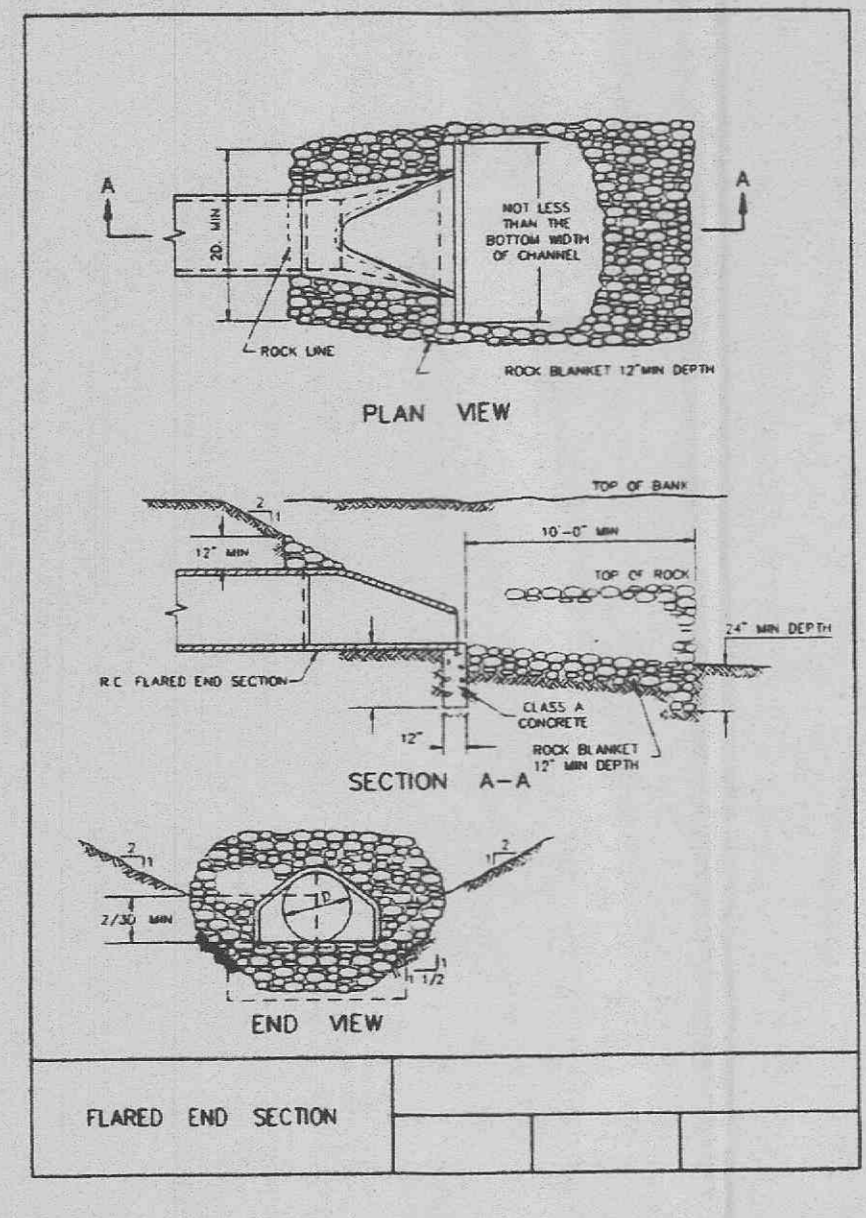
DOUBLE AREA INLET OPEN 4 SIDES BRICK CONSTRUCTION  
METROPOLITAN ST. LOUIS SEWER DISTRICT  
Standard Details of Sewer Construction  
Dr. R.G.W. Ch. J.C.K. 1992 SHEET 26



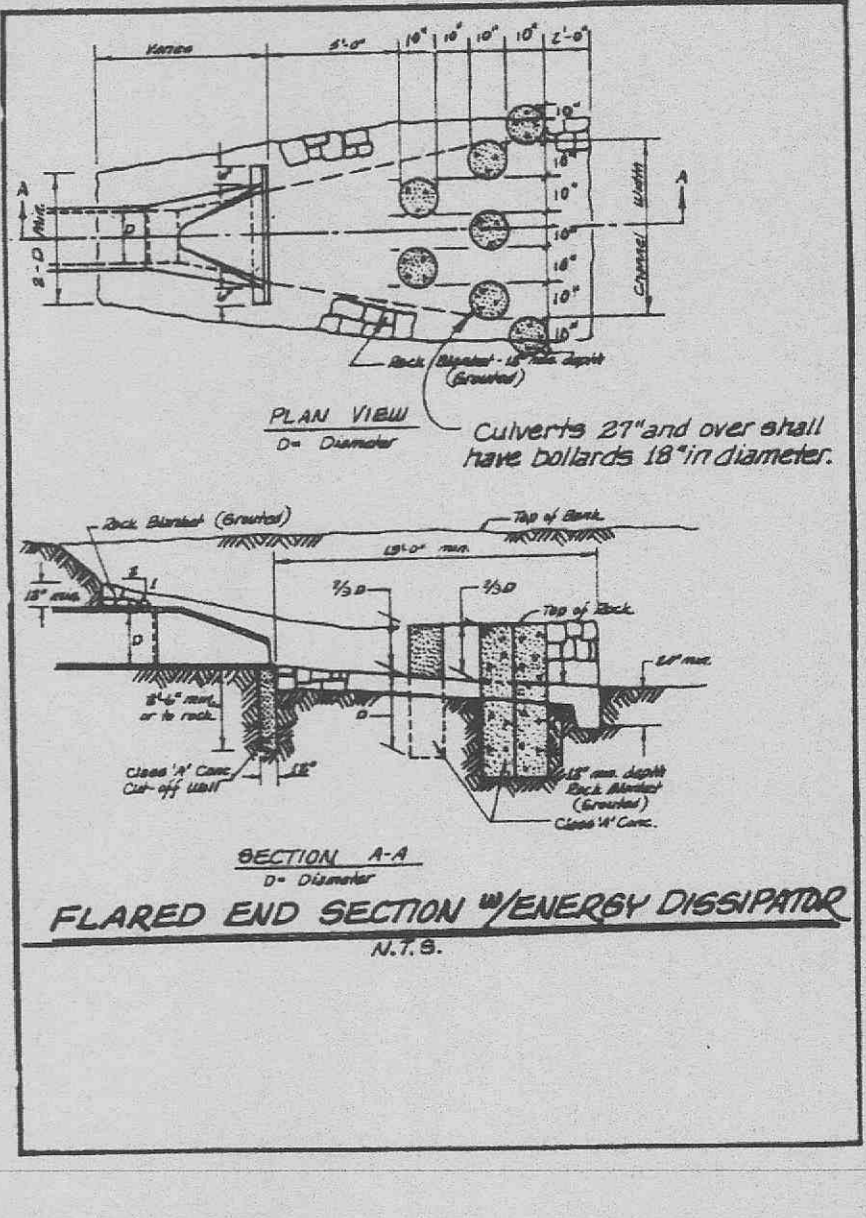
GUTTER SUMP FOR LIP CURB  
METROPOLITAN ST. LOUIS SEWER DISTRICT  
Standard Details of Sewer Construction  
Dr. R.G.W. Ch. J.C.K. 1992 SHEET 56



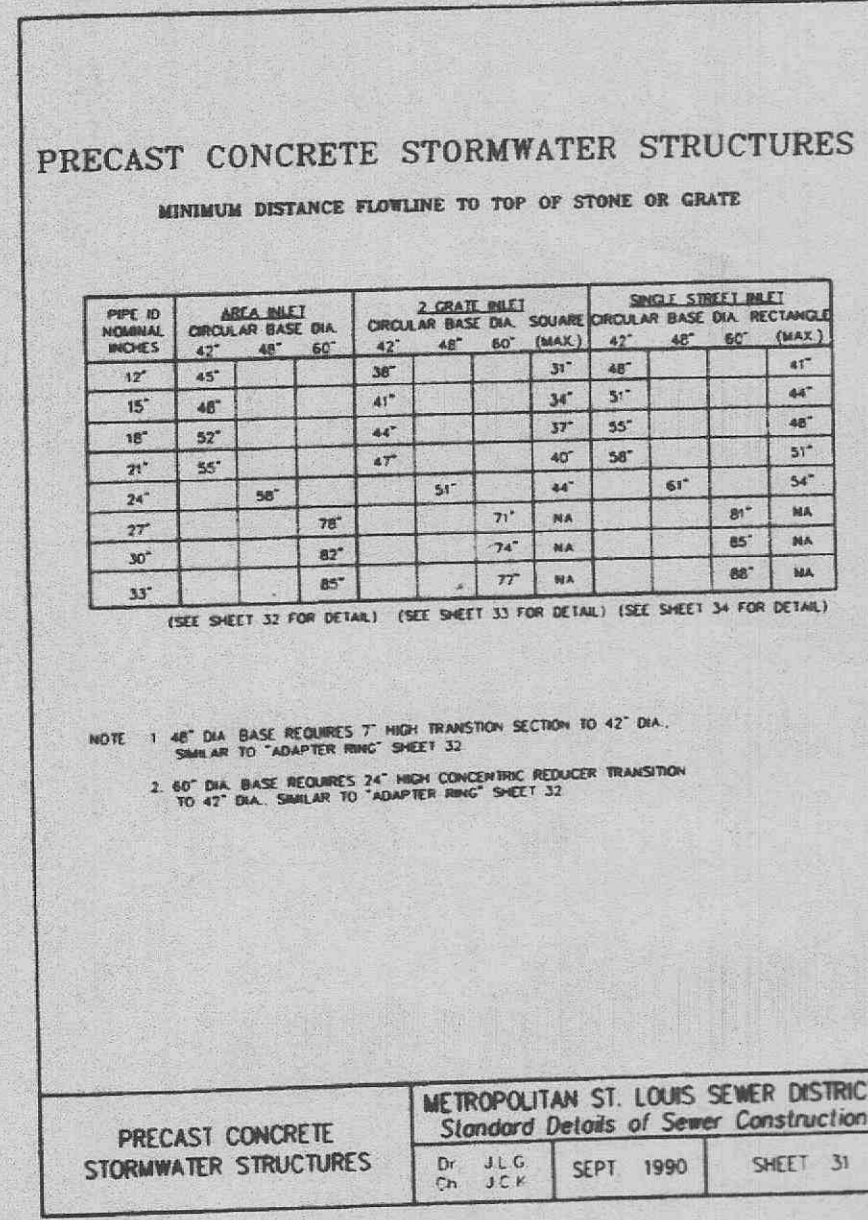
2 GRATE INLET WITH SIDE INTAKE BRICK CONSTRUCTION  
METROPOLITAN ST. LOUIS SEWER DISTRICT  
Standard Details of Sewer Construction  
Dr. R.G.W. Ch. J.C.K. 1992 SHEET 28



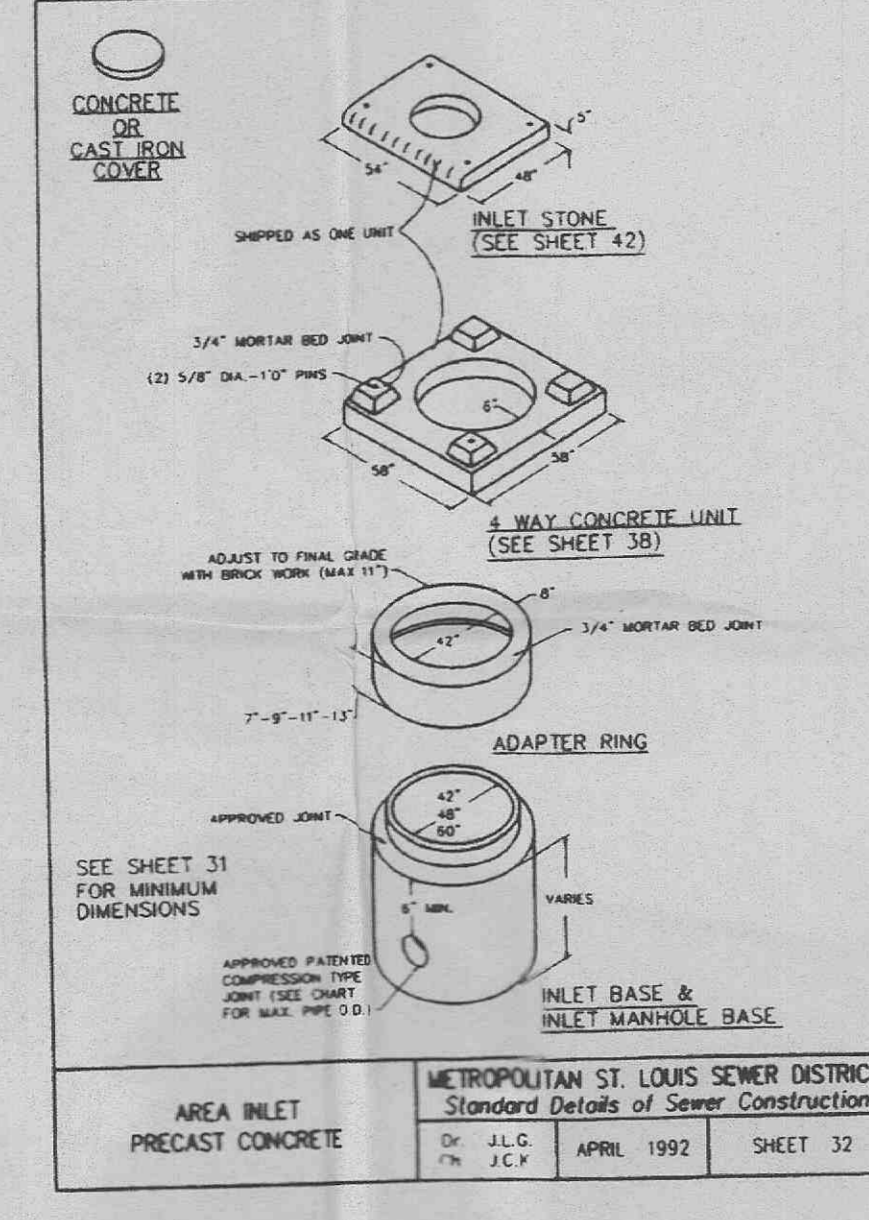
FLARED END SECTION  
METROPOLITAN ST. LOUIS SEWER DISTRICT  
Standard Details of Sewer Construction  
Dr. R.G.W. Ch. J.C.K. 1992 SHEET 28



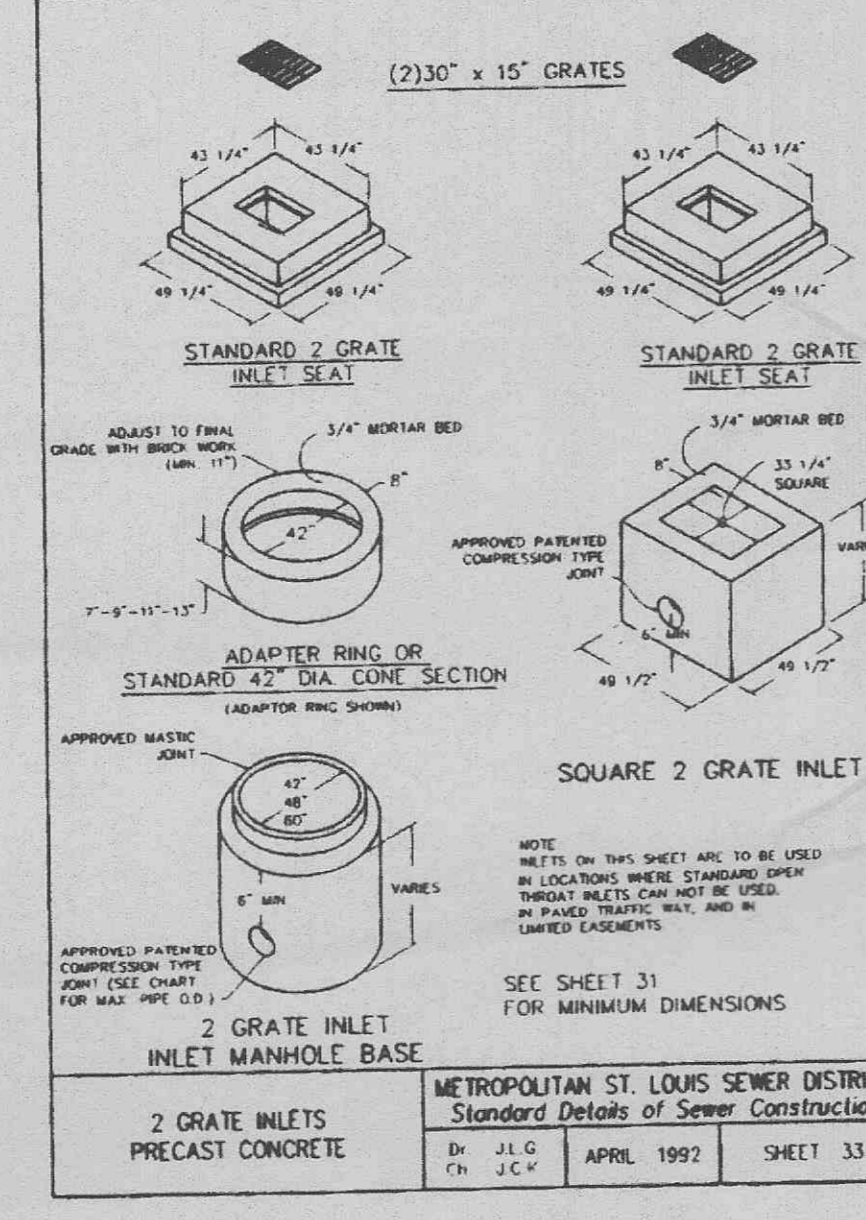
FLARED END SECTION OF ENERGY DISSIPATOR  
METROPOLITAN ST. LOUIS SEWER DISTRICT  
Standard Details of Sewer Construction  
Dr. R.G.W. Ch. J.C.K. 1992 SHEET 28



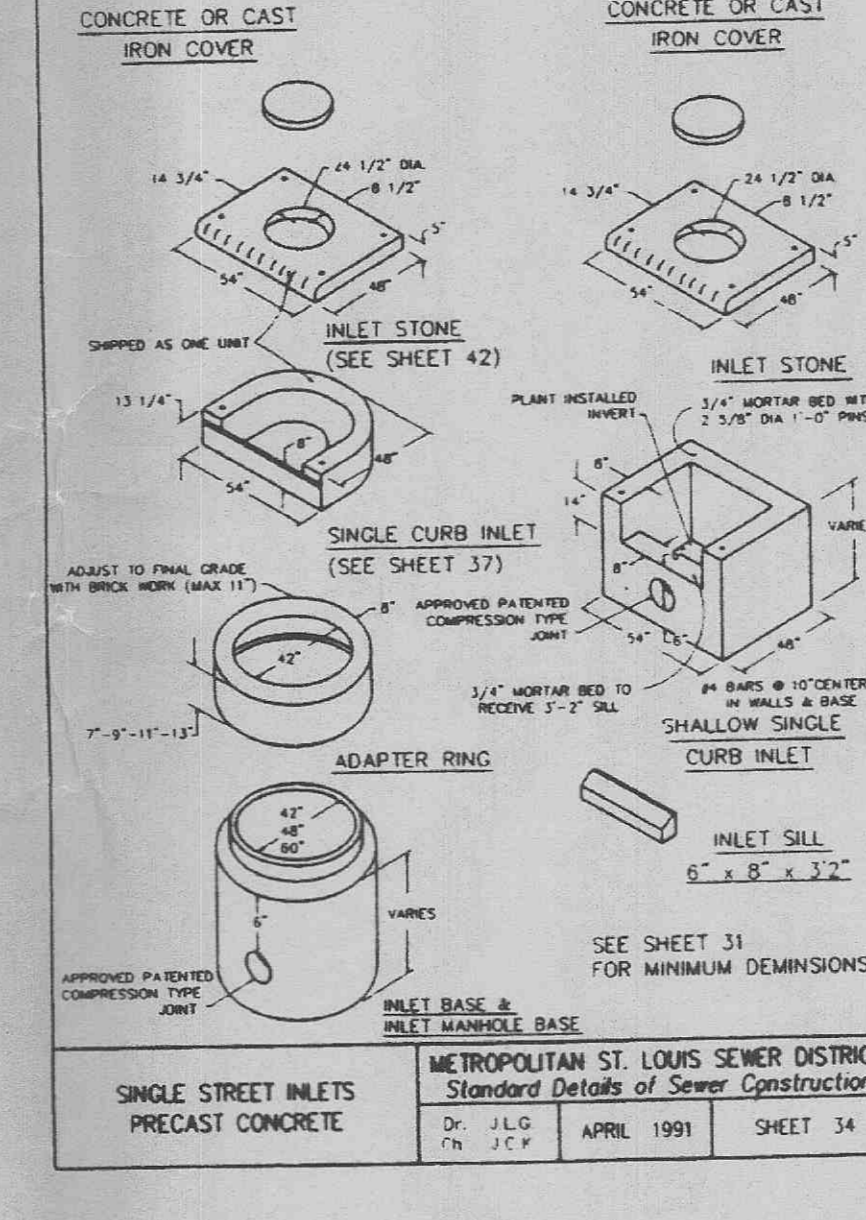
PRECAST CONCRETE STORMWATER STRUCTURES  
METROPOLITAN ST. LOUIS SEWER DISTRICT  
Standard Details of Sewer Construction  
Dr. J.L.G. Ch. J.C.K. SEPT 1990 SHEET 31



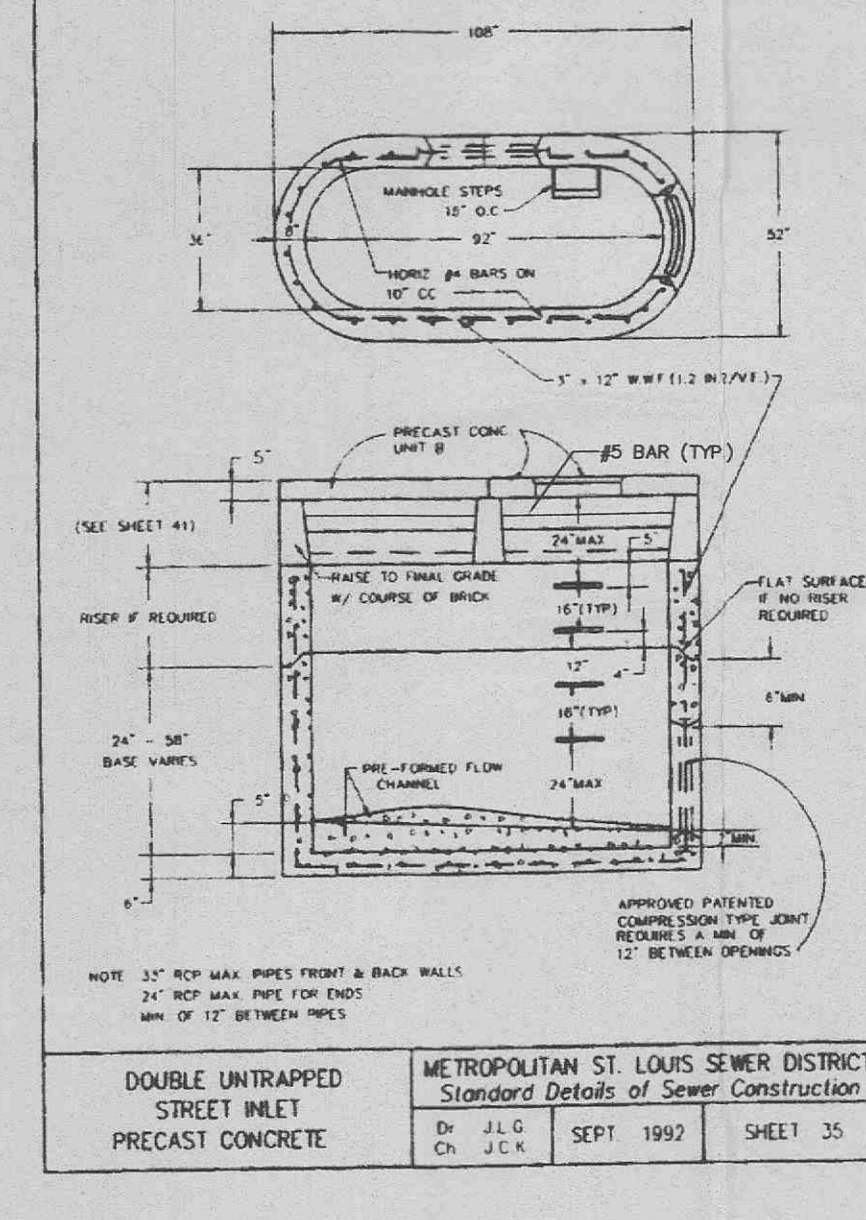
AREA INLET PRECAST CONCRETE  
METROPOLITAN ST. LOUIS SEWER DISTRICT  
Standard Details of Sewer Construction  
Dr. J.L.G. Ch. J.C.K. APRIL 1992 SHEET 32



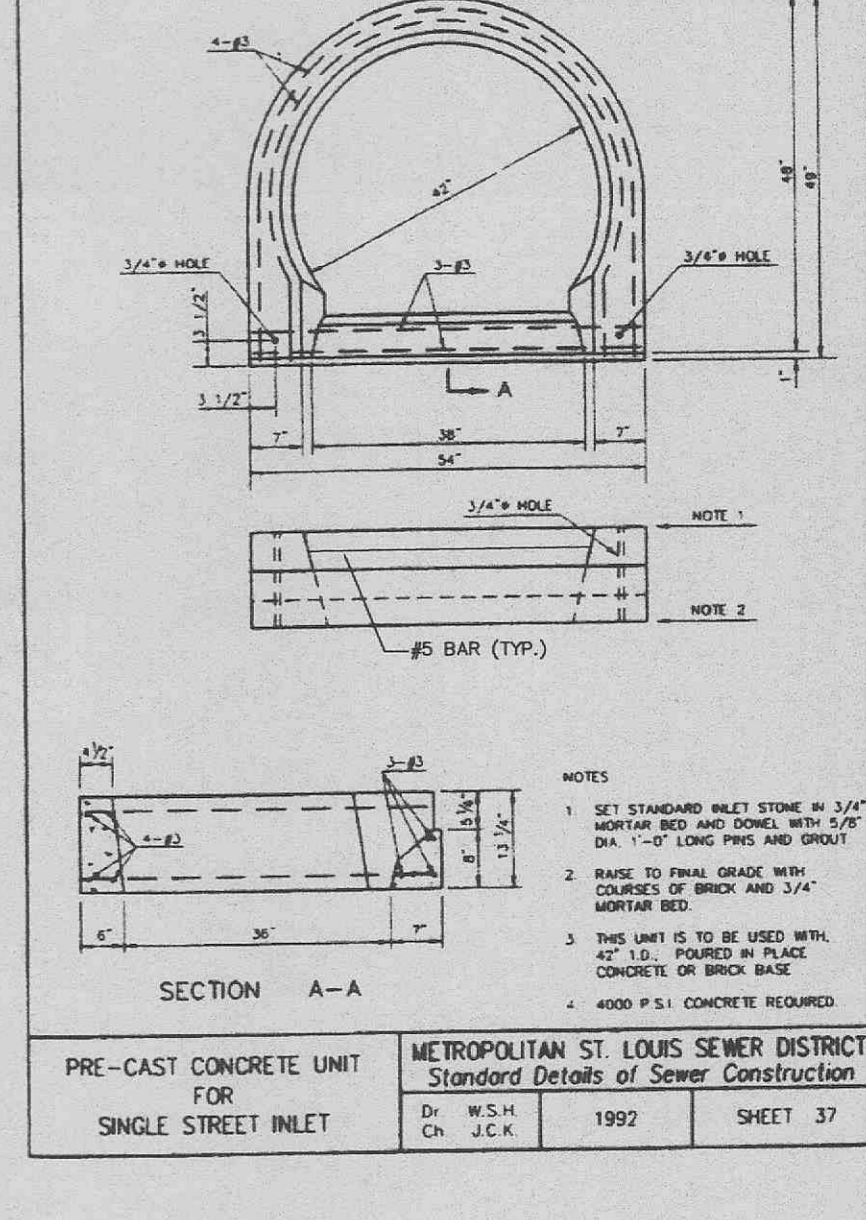
2 GRATE INLETS PRECAST CONCRETE  
METROPOLITAN ST. LOUIS SEWER DISTRICT  
Standard Details of Sewer Construction  
Dr. J.L.G. Ch. J.C.K. APRIL 1992 SHEET 33



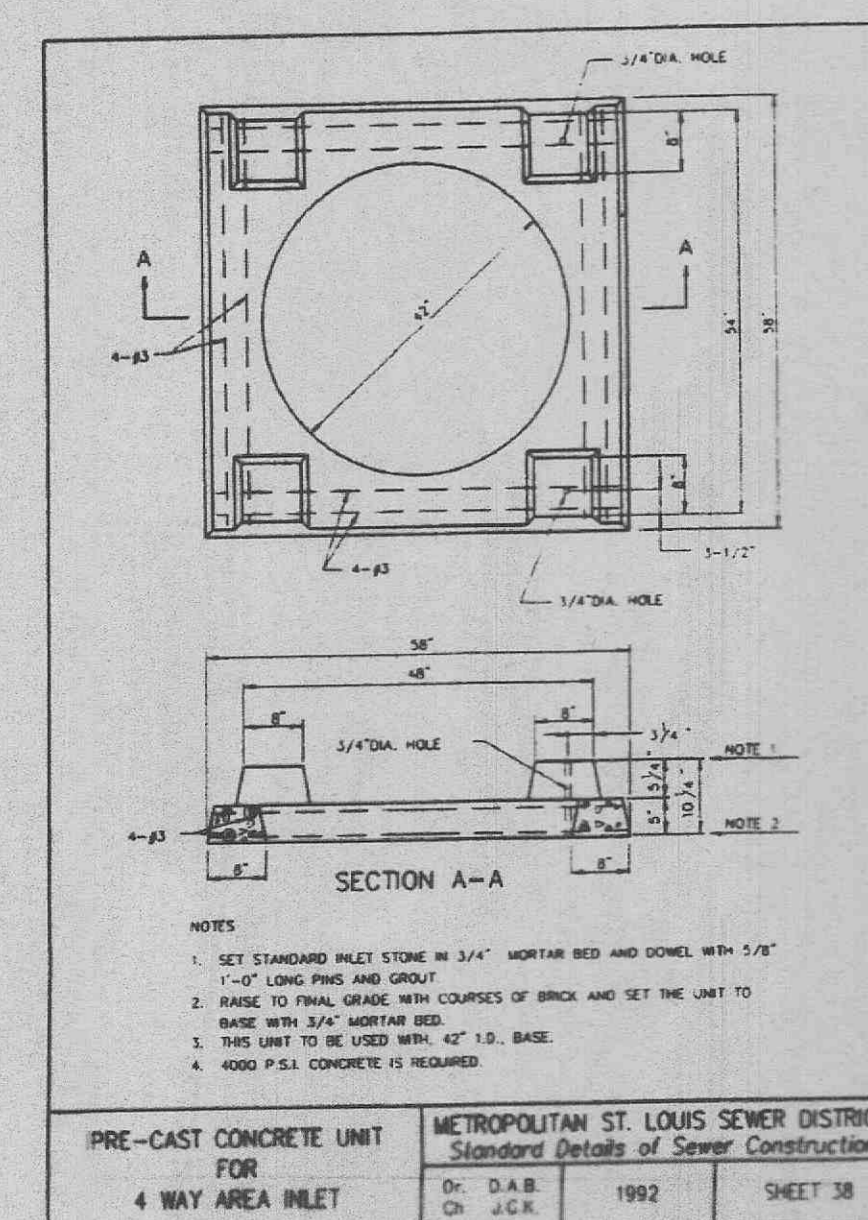
SINGLE STREET INLETS PRECAST CONCRETE  
METROPOLITAN ST. LOUIS SEWER DISTRICT  
Standard Details of Sewer Construction  
Dr. J.L.G. Ch. J.C.K. APRIL 1991 SHEET 34



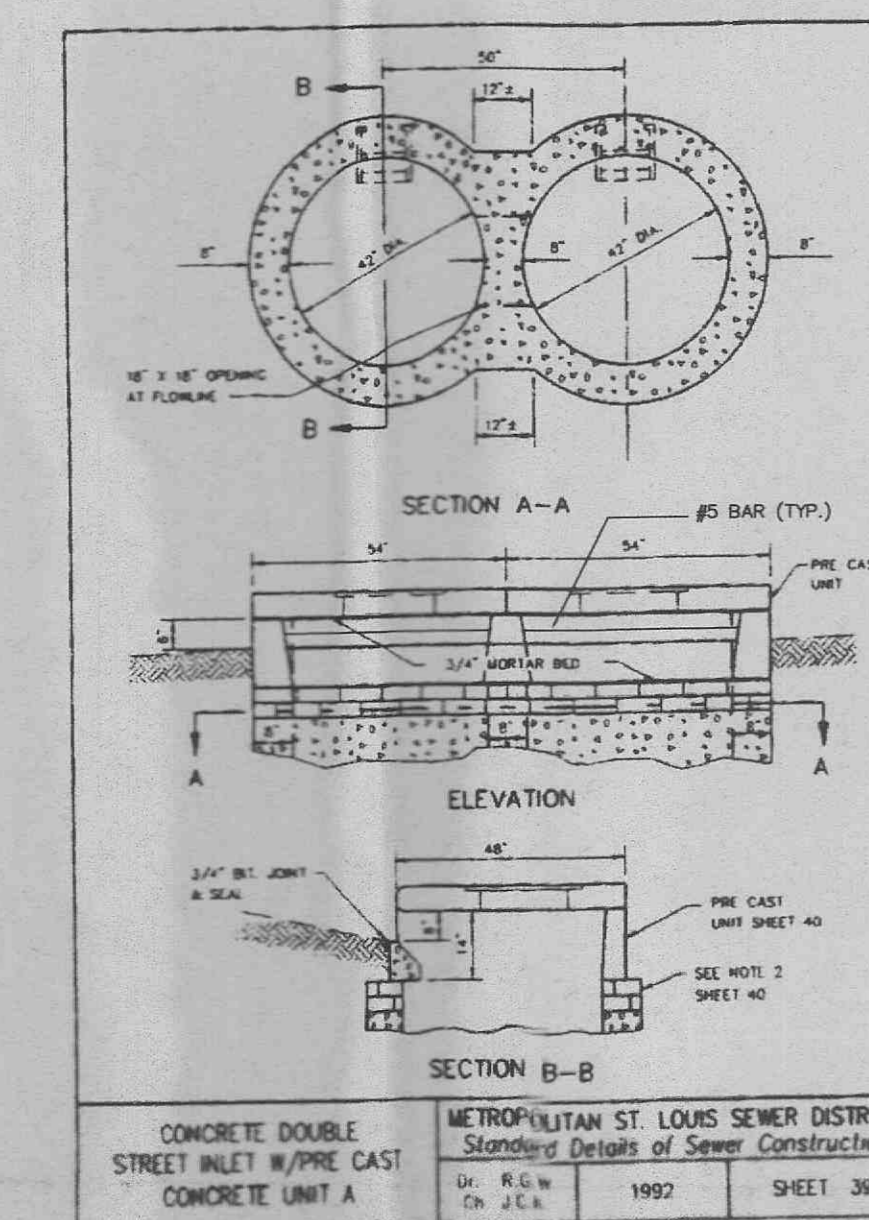
DOUBLE UNTRAPPED STREET INLET PRECAST CONCRETE  
METROPOLITAN ST. LOUIS SEWER DISTRICT  
Standard Details of Sewer Construction  
Dr. J.L.G. Ch. J.C.K. SEPT 1992 SHEET 35



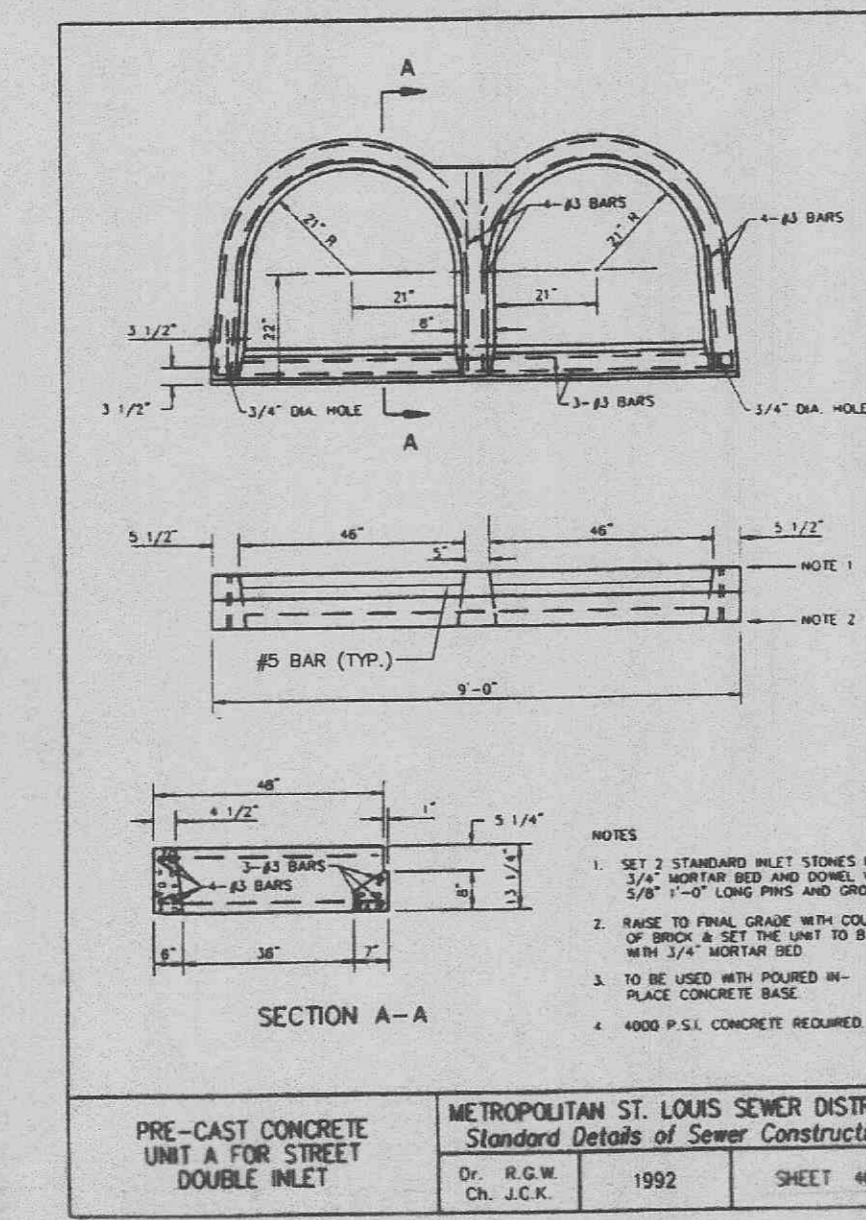
PRE-CAST CONCRETE UNIT FOR SINGLE STREET INLET  
METROPOLITAN ST. LOUIS SEWER DISTRICT  
Standard Details of Sewer Construction  
Dr. W.S.H. Ch. J.C.K. 1992 SHEET 37



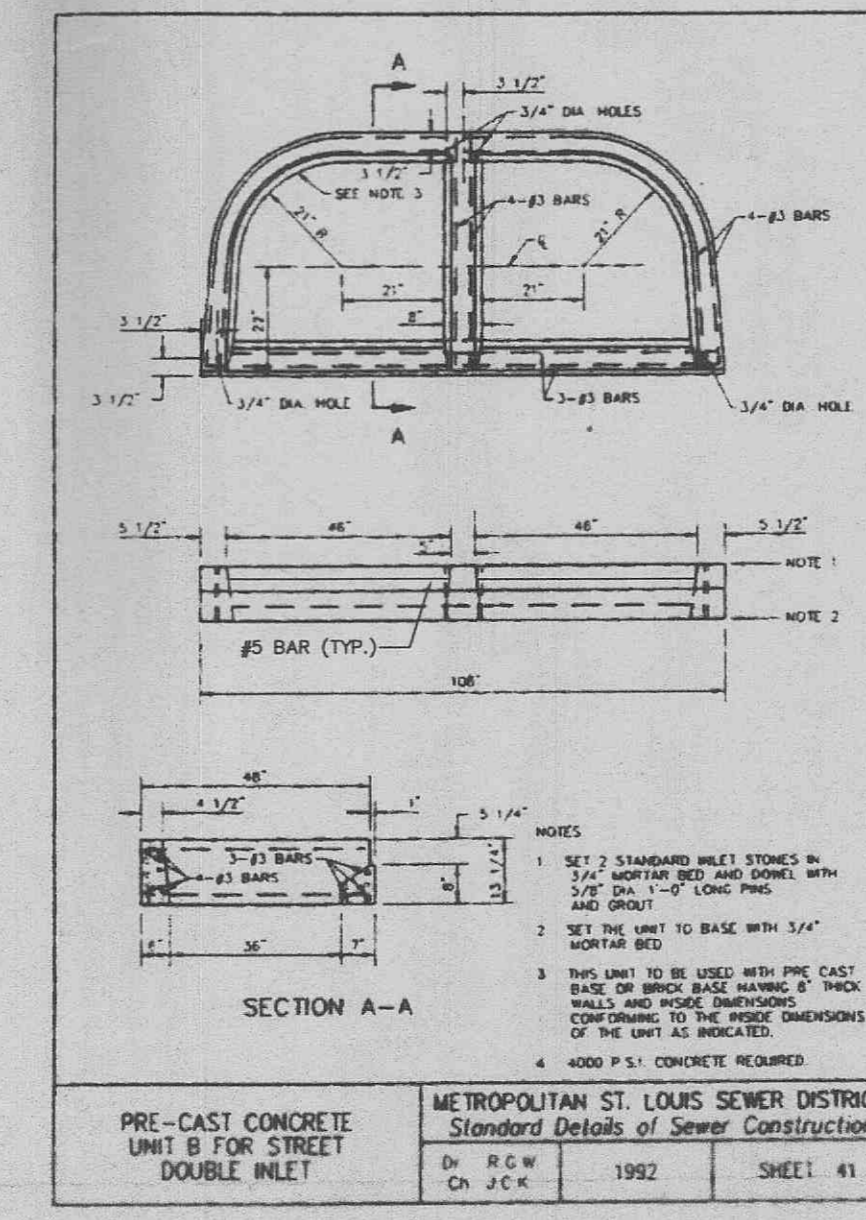
PRE-CAST CONCRETE UNIT FOR 4 WAY AREA INLET  
METROPOLITAN ST. LOUIS SEWER DISTRICT  
Standard Details of Sewer Construction  
Dr. D.A.B. Ch. J.C.K. 1992 SHEET 38



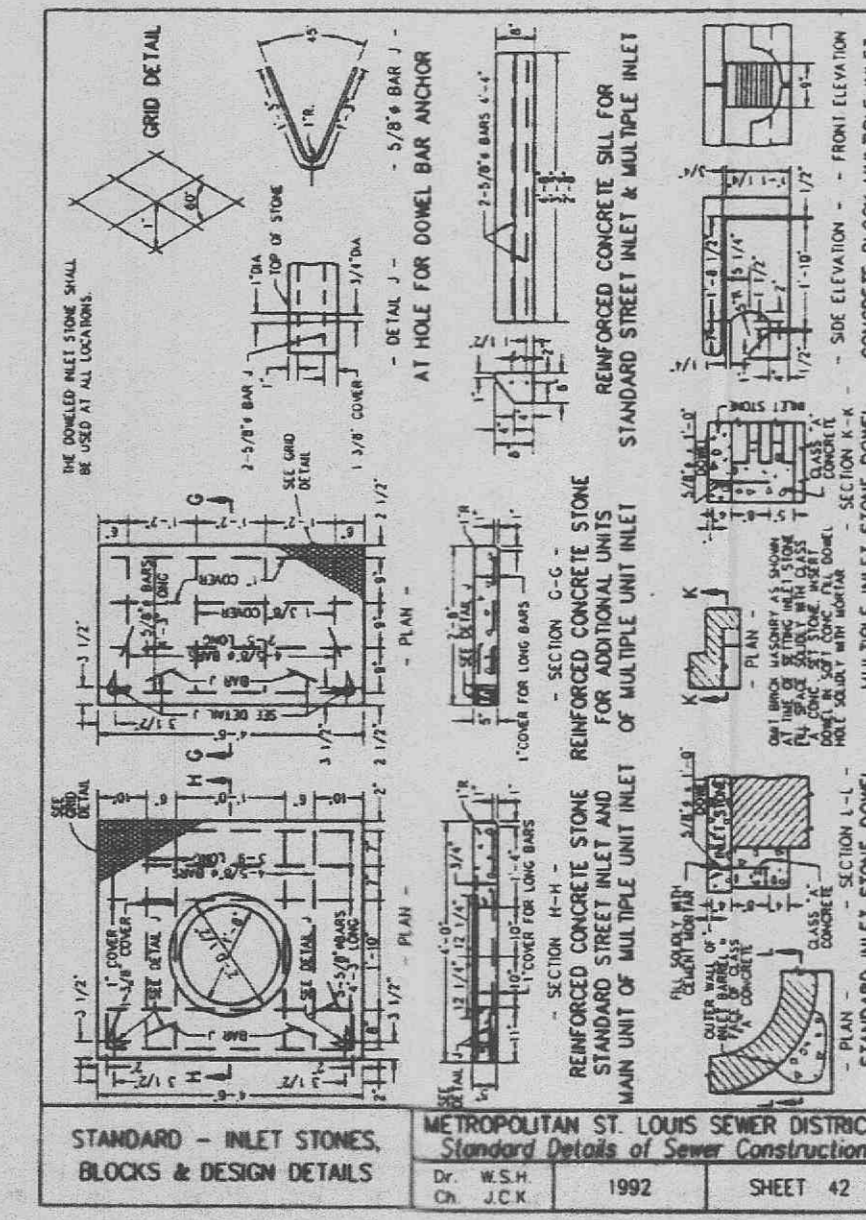
CONCRETE DOUBLE STREET INLET W/ PRECAST CONCRETE UNIT A  
METROPOLITAN ST. LOUIS SEWER DISTRICT  
Standard Details of Sewer Construction  
Dr. R.G.W. Ch. J.C.K. 1992 SHEET 39



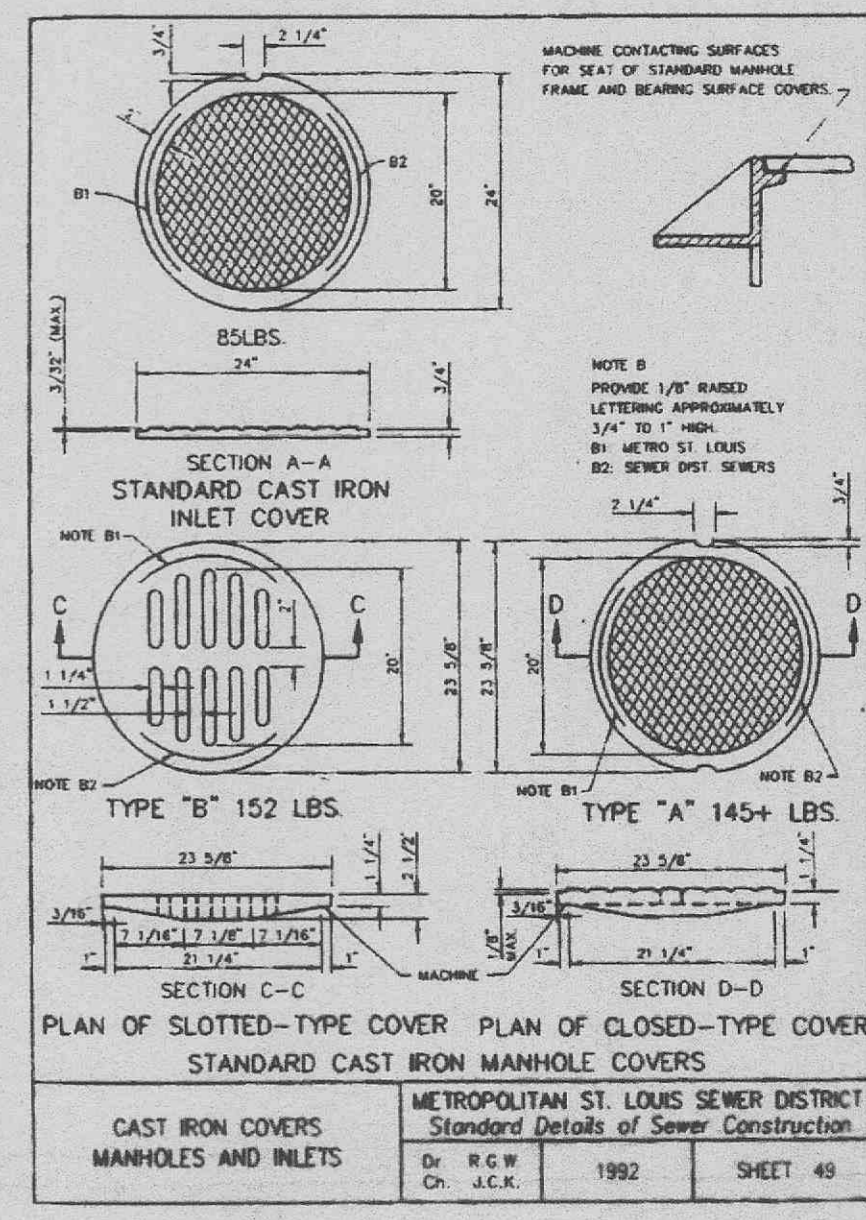
PRE-CAST CONCRETE UNIT A FOR STREET DOUBLE INLET  
METROPOLITAN ST. LOUIS SEWER DISTRICT  
Standard Details of Sewer Construction  
Dr. R.G.W. Ch. J.C.K. 1992 SHEET 40



PRE-CAST CONCRETE UNIT B FOR STREET DOUBLE INLET  
METROPOLITAN ST. LOUIS SEWER DISTRICT  
Standard Details of Sewer Construction  
Dr. R.G.W. Ch. J.C.K. 1992 SHEET 41



STANDARD - INLET STONES, BLOCKS & DESIGN DETAILS  
METROPOLITAN ST. LOUIS SEWER DISTRICT  
Standard Details of Sewer Construction  
Dr. W.S.H. Ch. J.C.K. 1992 SHEET 42

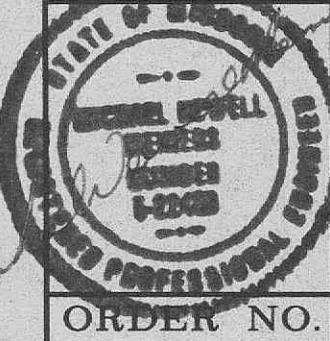


CAST IRON COVERS MANHOLES AND INLETS  
METROPOLITAN ST. LOUIS SEWER DISTRICT  
Standard Details of Sewer Construction  
Dr. R.G.W. Ch. J.C.K. 1992 SHEET 49

NOTE! ADD #5 BAR TO THE THROAT OF ALL INLETS.

PUND PLACE  
STORM DETAILS

ST. CHARLES ENGINEERING & SURVEYING, INC.  
801 S. FIFTH STREET, SUITE 202  
ST. CHARLES, MO 63301  
TEL: (636) 947-6807 FAX: (636) 947-2448



ORDER NO. \_\_\_\_\_  
DATE 8-28-01  
C-15