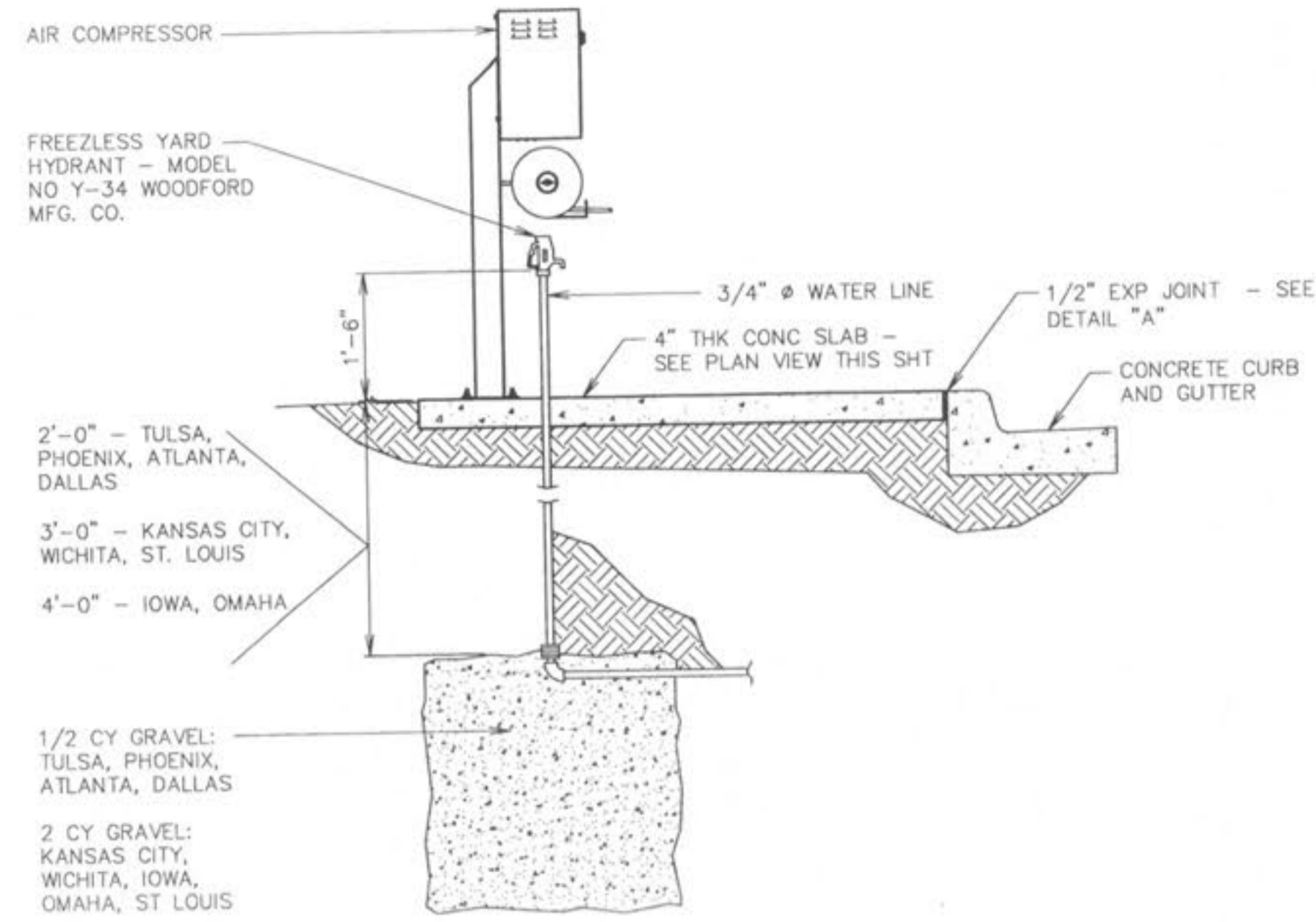
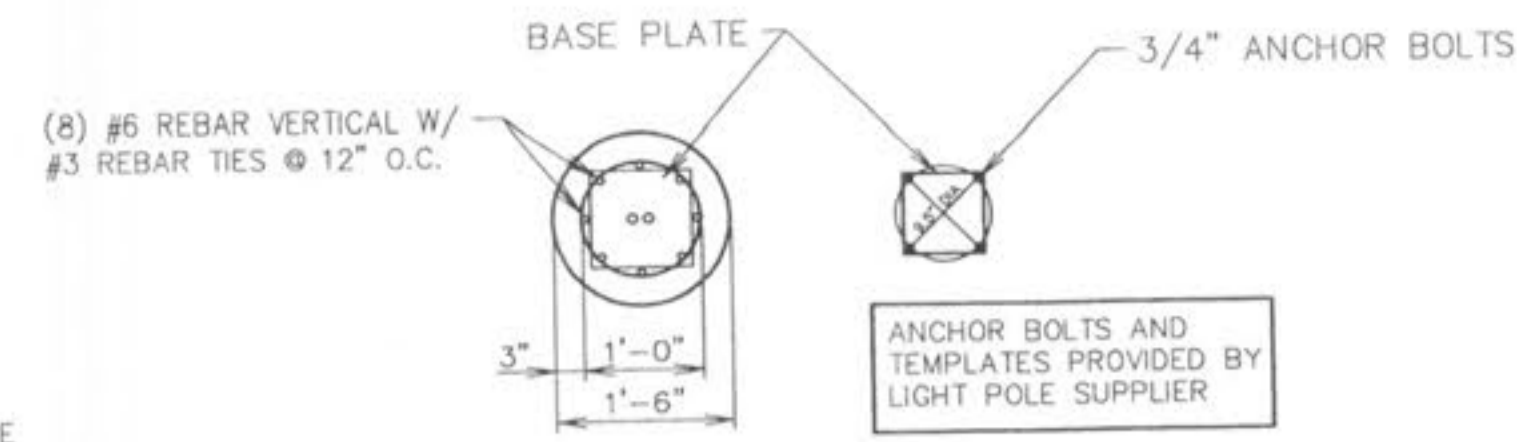


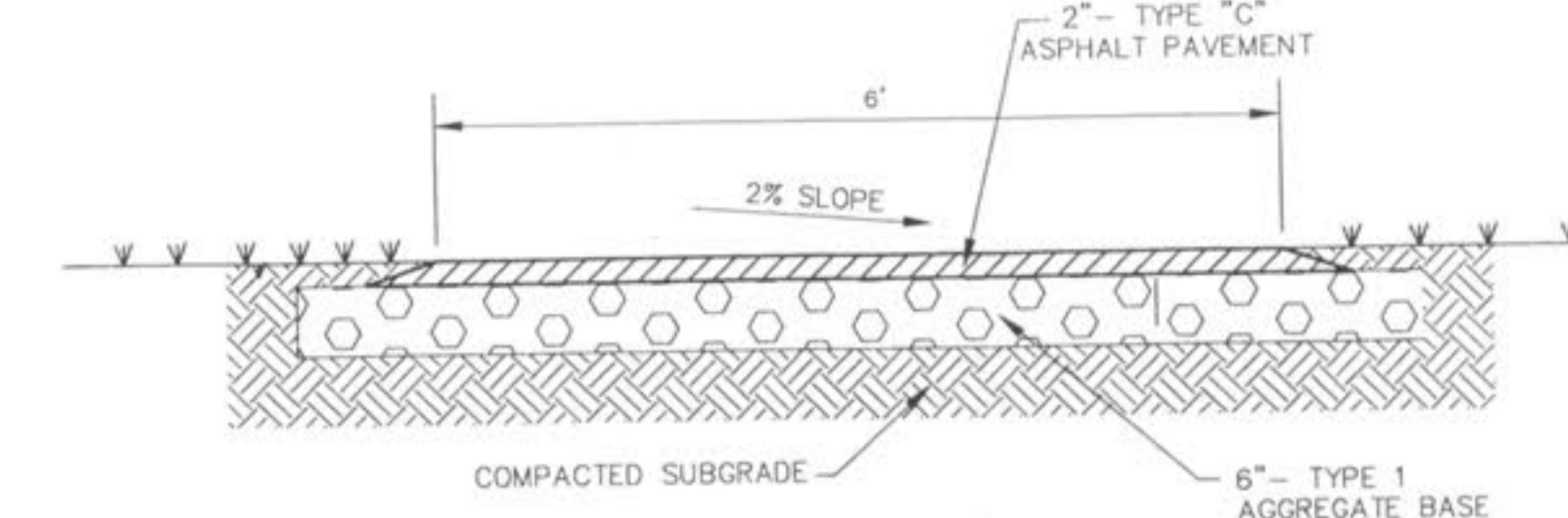
AIR COMPRESSOR AND FREEZLESS YARD HYDRANT PAD - PLAN



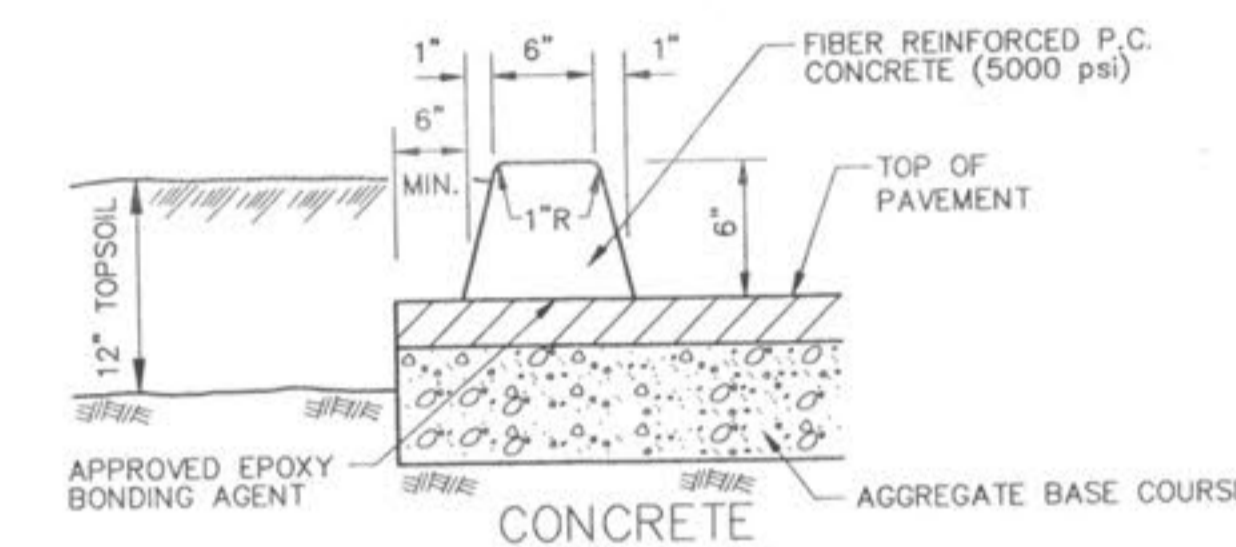
AIR COMPRESSOR AND FREEZLESS YARD HYDRANT PAD - ELEVATION/SECTION



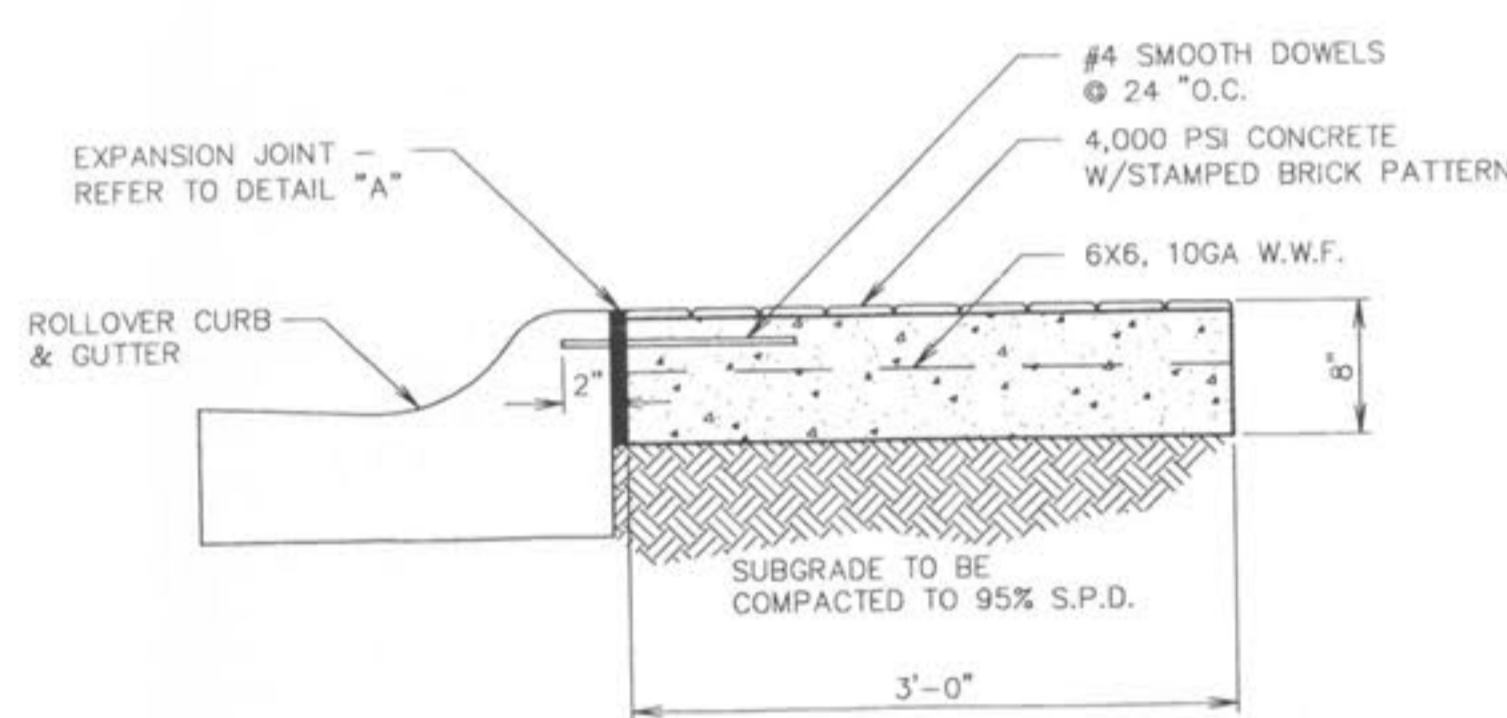
9.5" Ø ANCHOR BOLT TEMPLATE



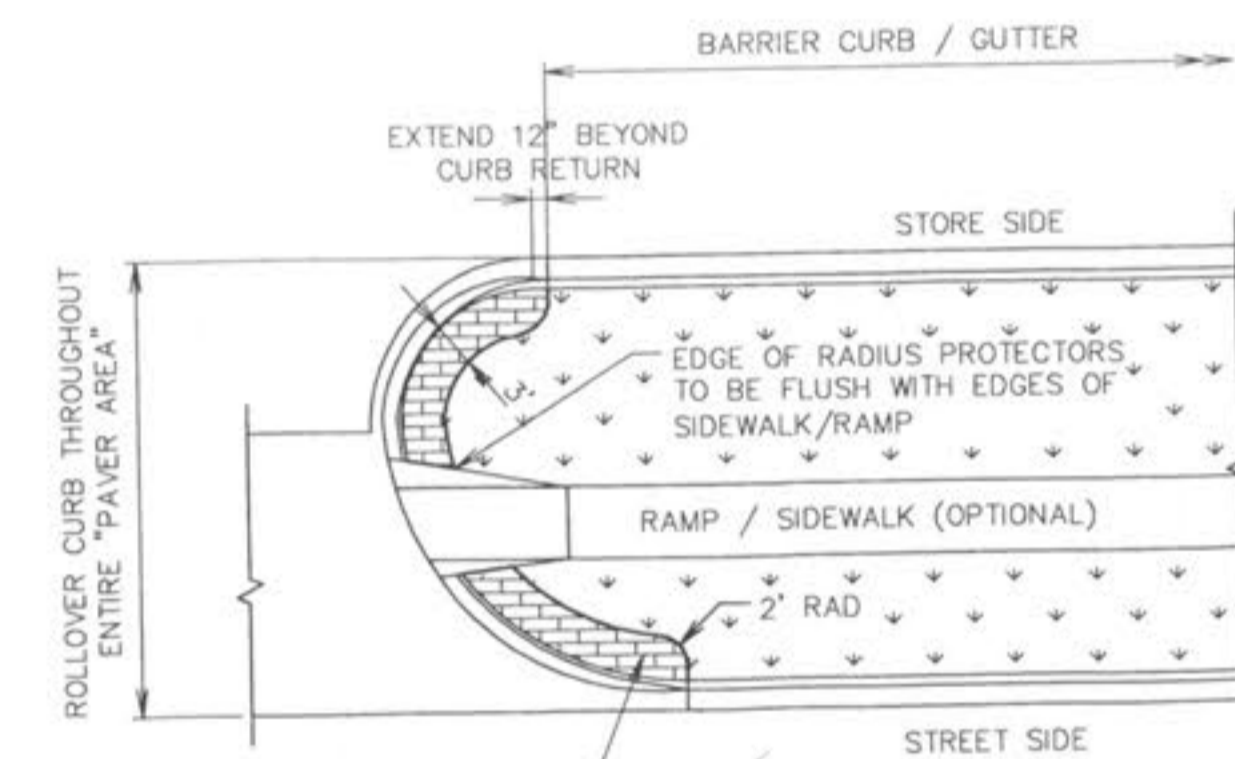
MULTI-USE TRAIL
N.T.S.



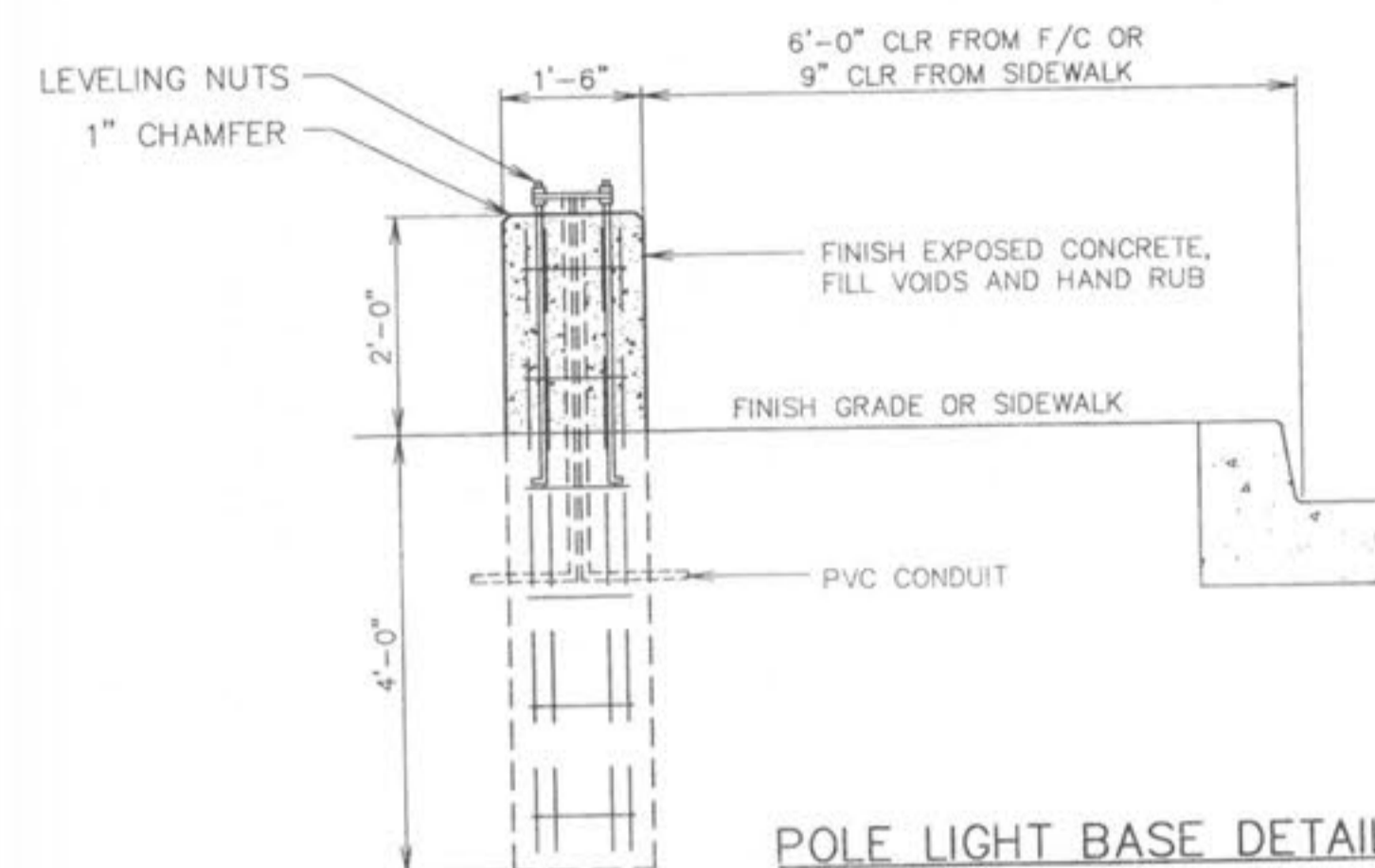
EXTRUDED CURB
(USED AT CROSS ACCESS DRIVE)
N.T.S.



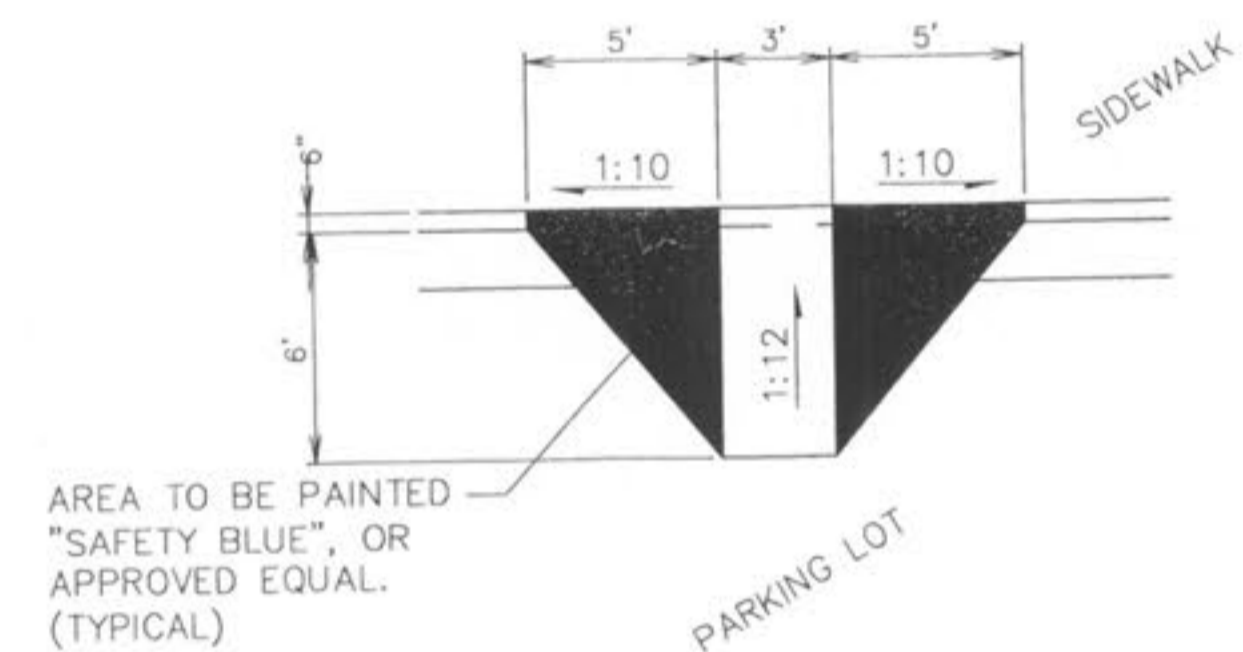
TYPICAL RADIUS PROTECTOR SECTION



TYPICAL RADIUS PROTECTOR PLACEMENT PLAN



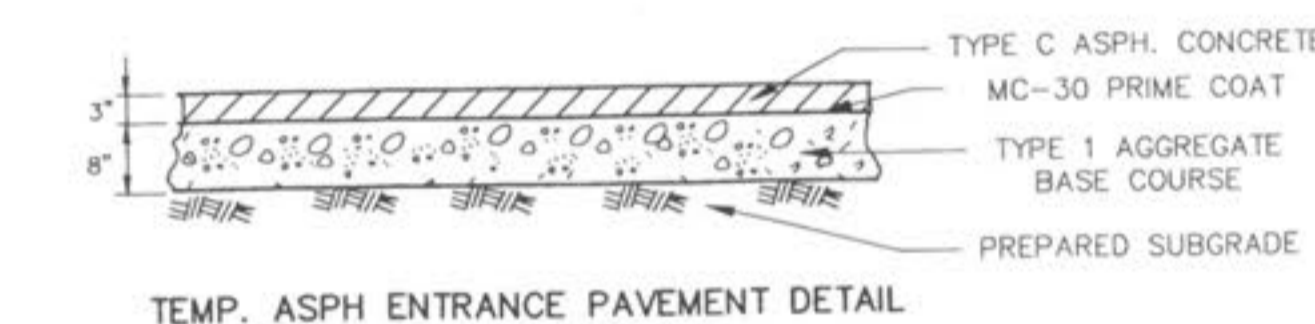
POLE LIGHT BASE DETAIL



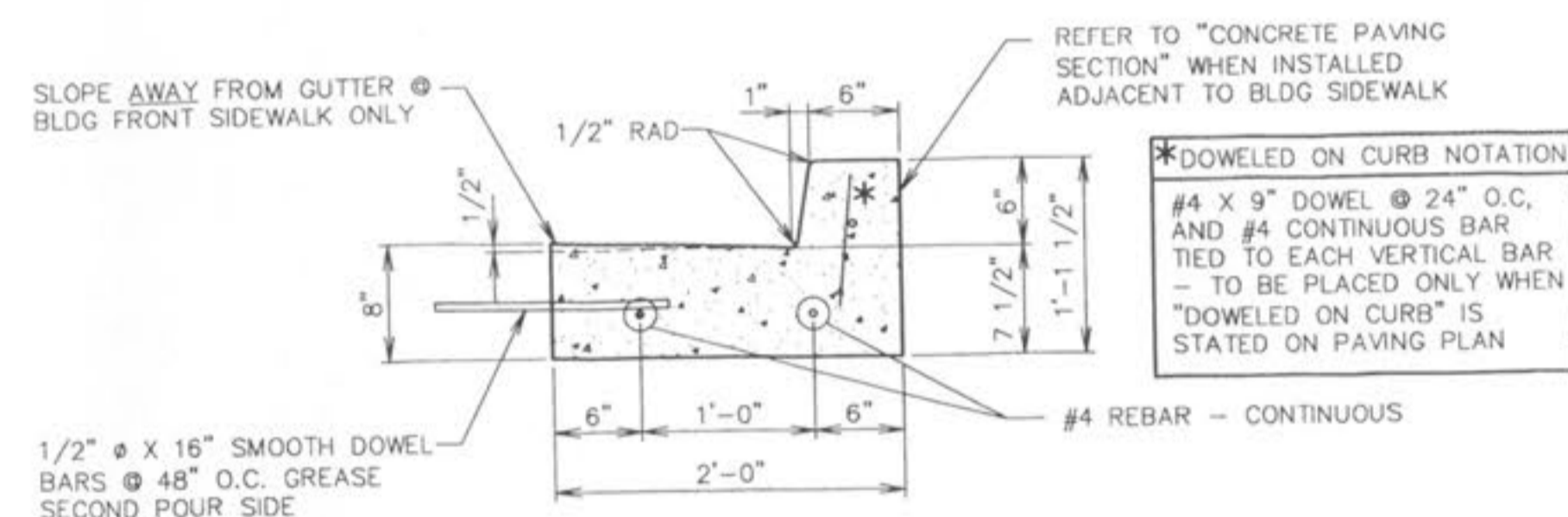
TYPICAL HC RAMP - PLAN



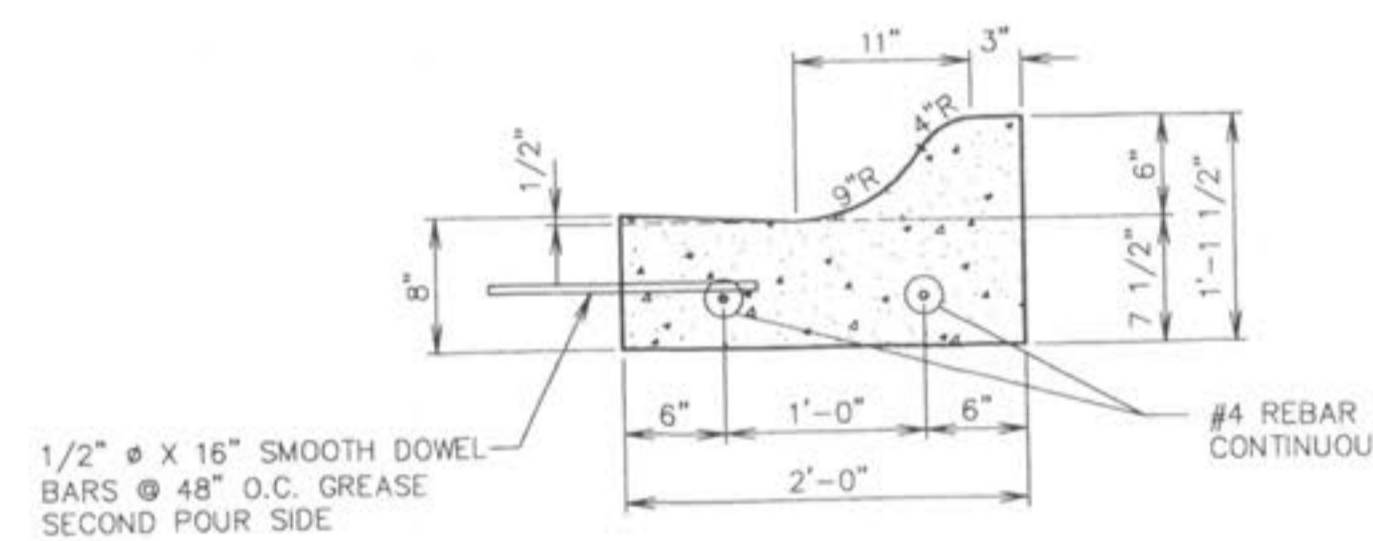
TYPICAL HC RAMP - ELEVATION



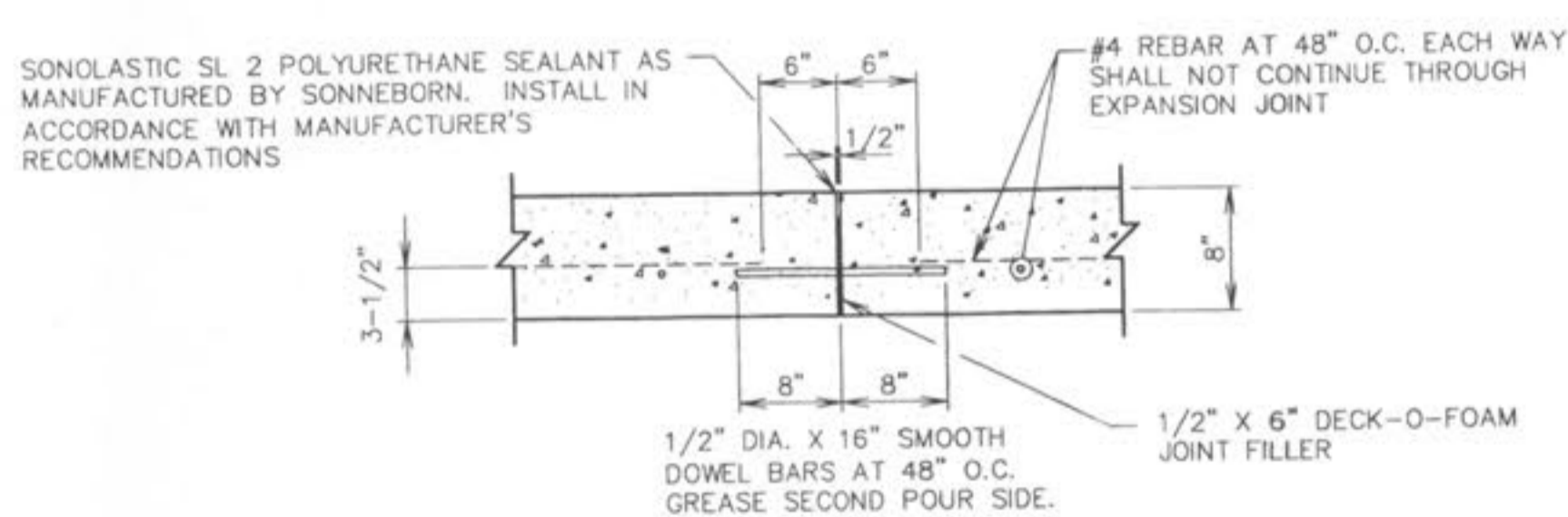
TEMP. ASPH ENTRANCE PAVEMENT DETAIL



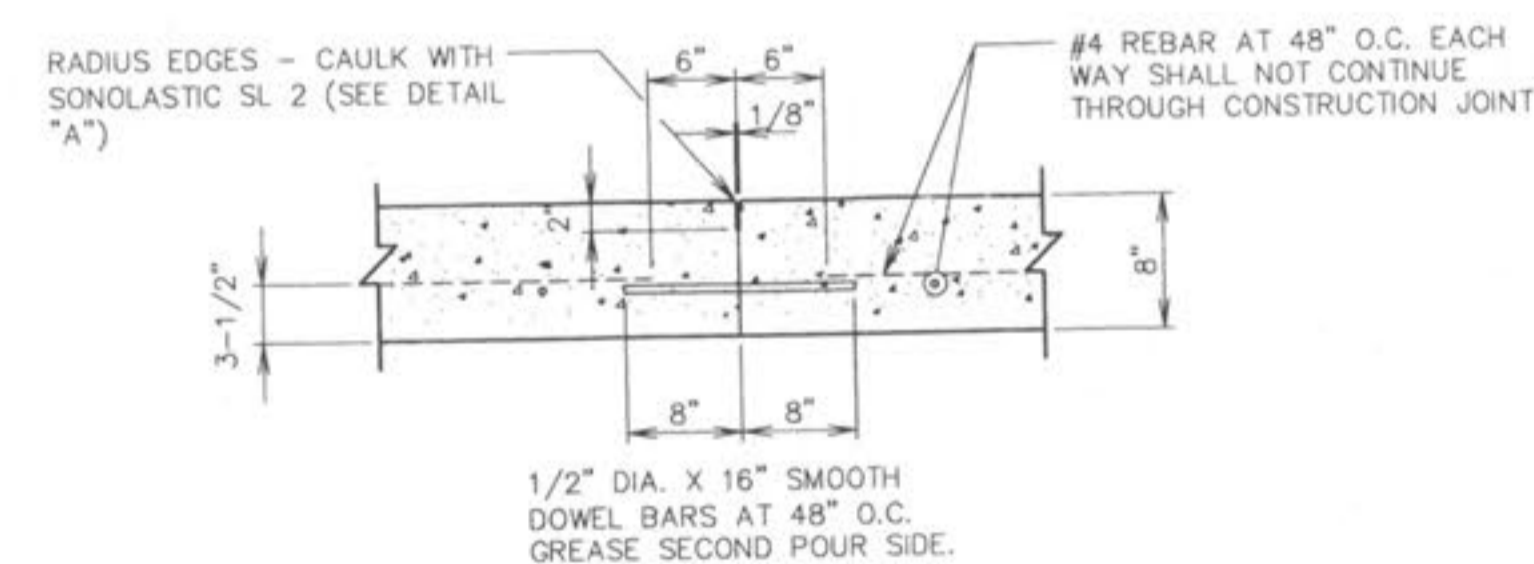
TYPICAL BARRIER CONCRETE CURB AND GUTTER - SECTION "D"



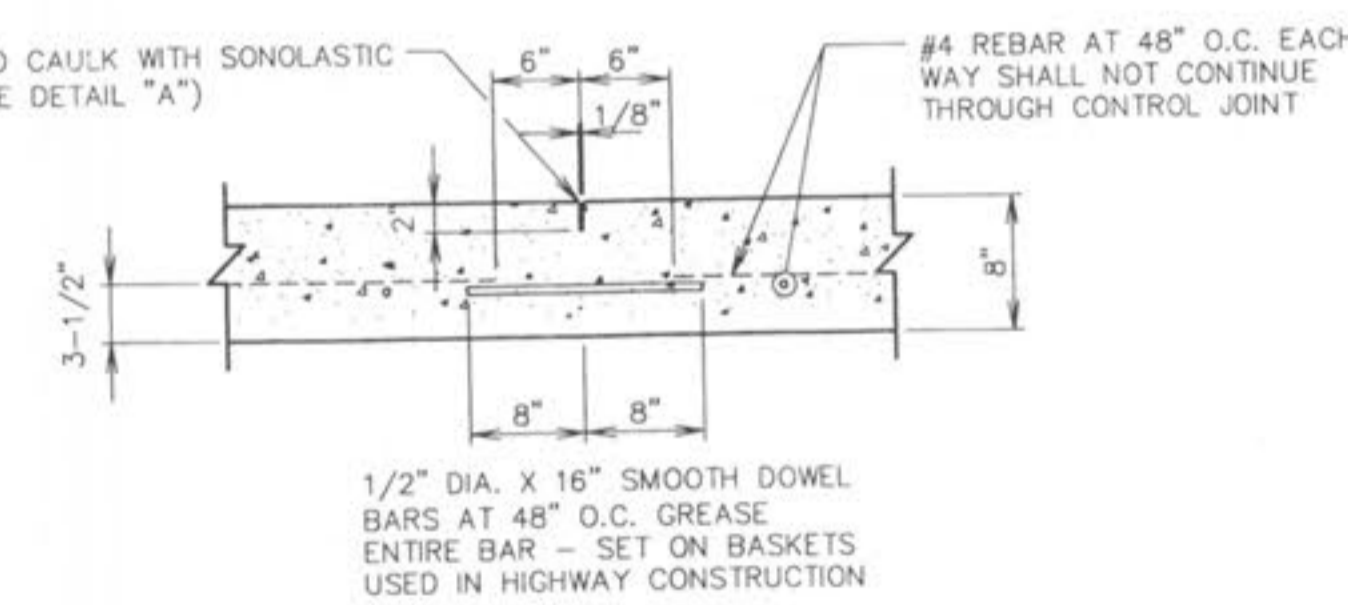
TYPICAL ROLLOVER CONCRETE CURB AND GUTTER - SECTION "E"



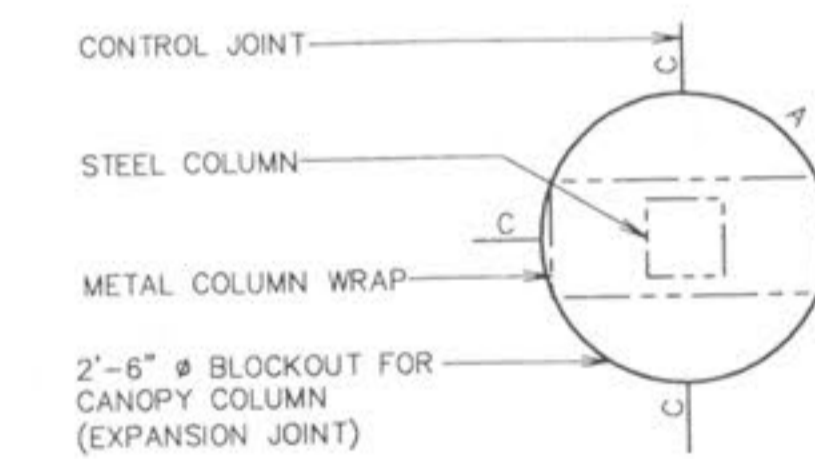
TYPICAL CONCRETE EXPANSION JOINT - DETAIL "A"



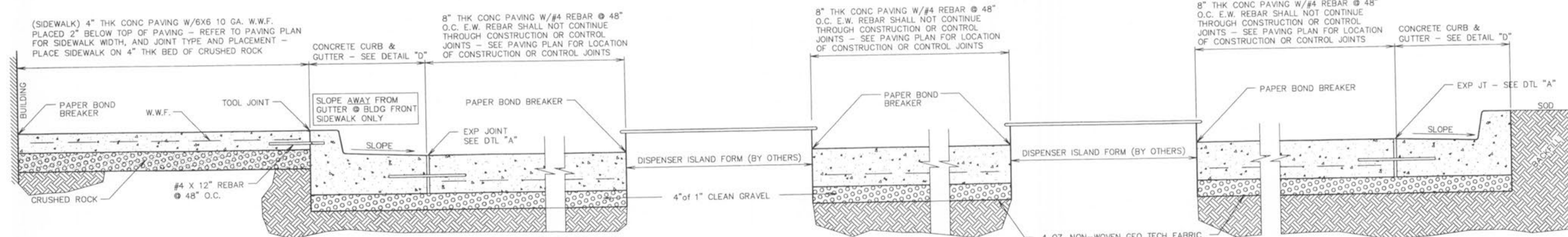
TYPICAL CONCRETE CONSTRUCTION JOINT - DETAIL "B"



TYPICAL CONCRETE CONTROL JOINT - DETAIL "C"



"ROUND" COLUMN BLOCKOUT - PLAN



TYPICAL DOUBLE STACK GAS LAYOUT CONCRETE PAVING SECTION THROUGH SITE

REVISIONS	
1	9/13/99 HRL ADDED DETAILS

QT QUIKTRIP CORPORATION
2255 BLUESTONE DRIVE
ST. CHARLES, MO. 63303
PH # (314) 916-5706
FAX # (314) 916-5754

QUIKTRIP #632 PAVEMENT DETAILS

the clayton engineering company, inc.
ENGINEERS • SURVEYORS • PLANNERS
1180 WESTLINE INDUSTRIAL DRIVE
ST. LOUIS, MISSOURI 63146
(314) 992-8688 FAX: (314) 992-8686
www.clayton-engineering.com

Designed: HRL
Checked: DJB
Date: 9/6/99
Project Number: 99051
Sheet Number: 5 of 11

FILE P:\99051\PLANS\PAV\DTLS.DWG PLOTTED 09/13/1999 8:43 AM
F.S. F.B. SUR