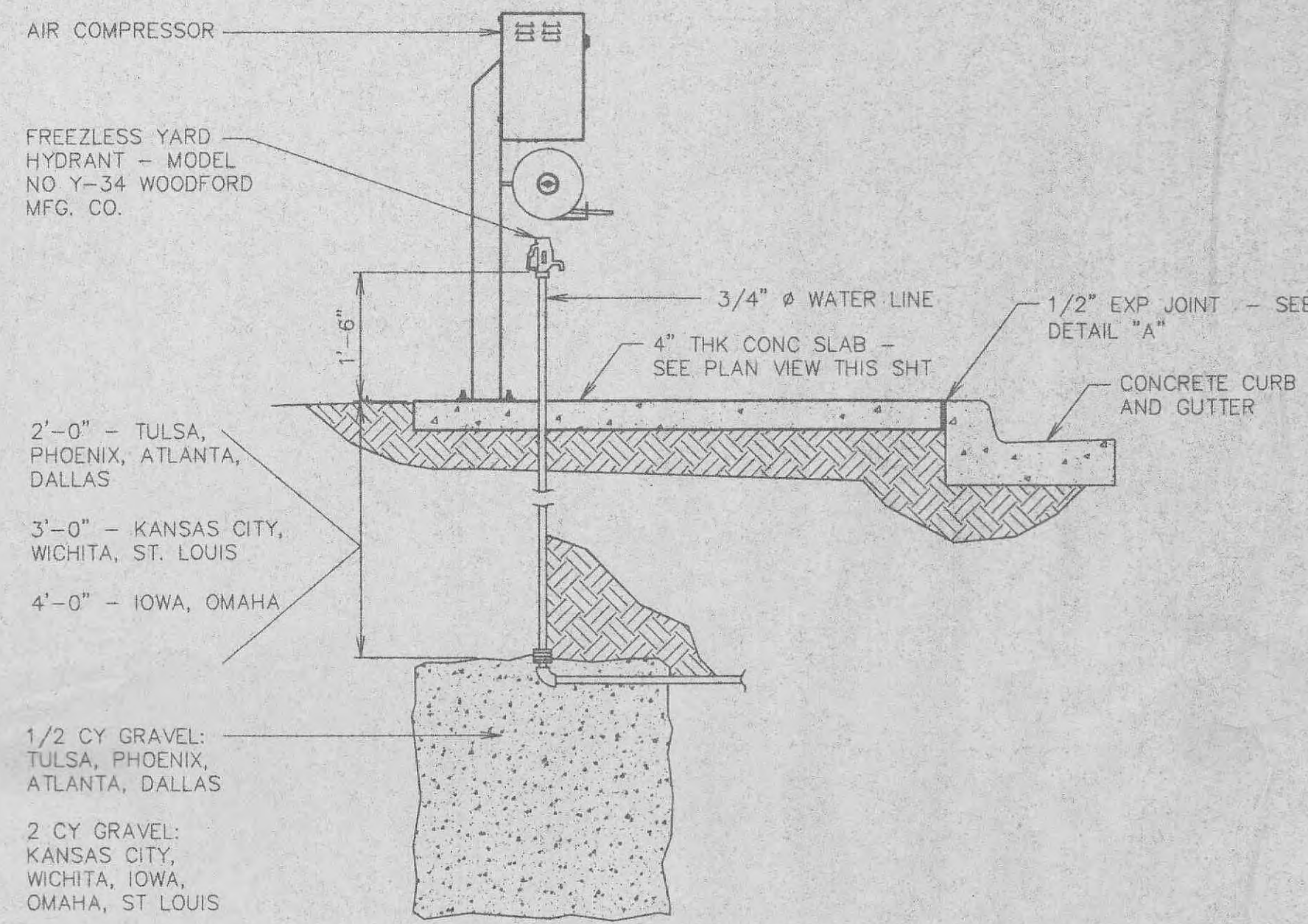
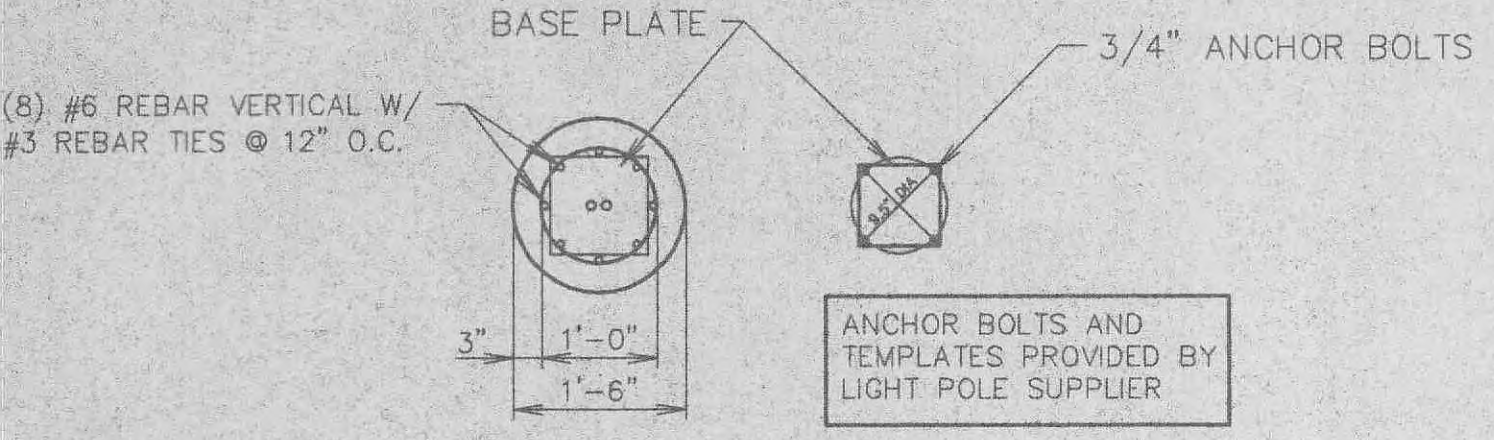


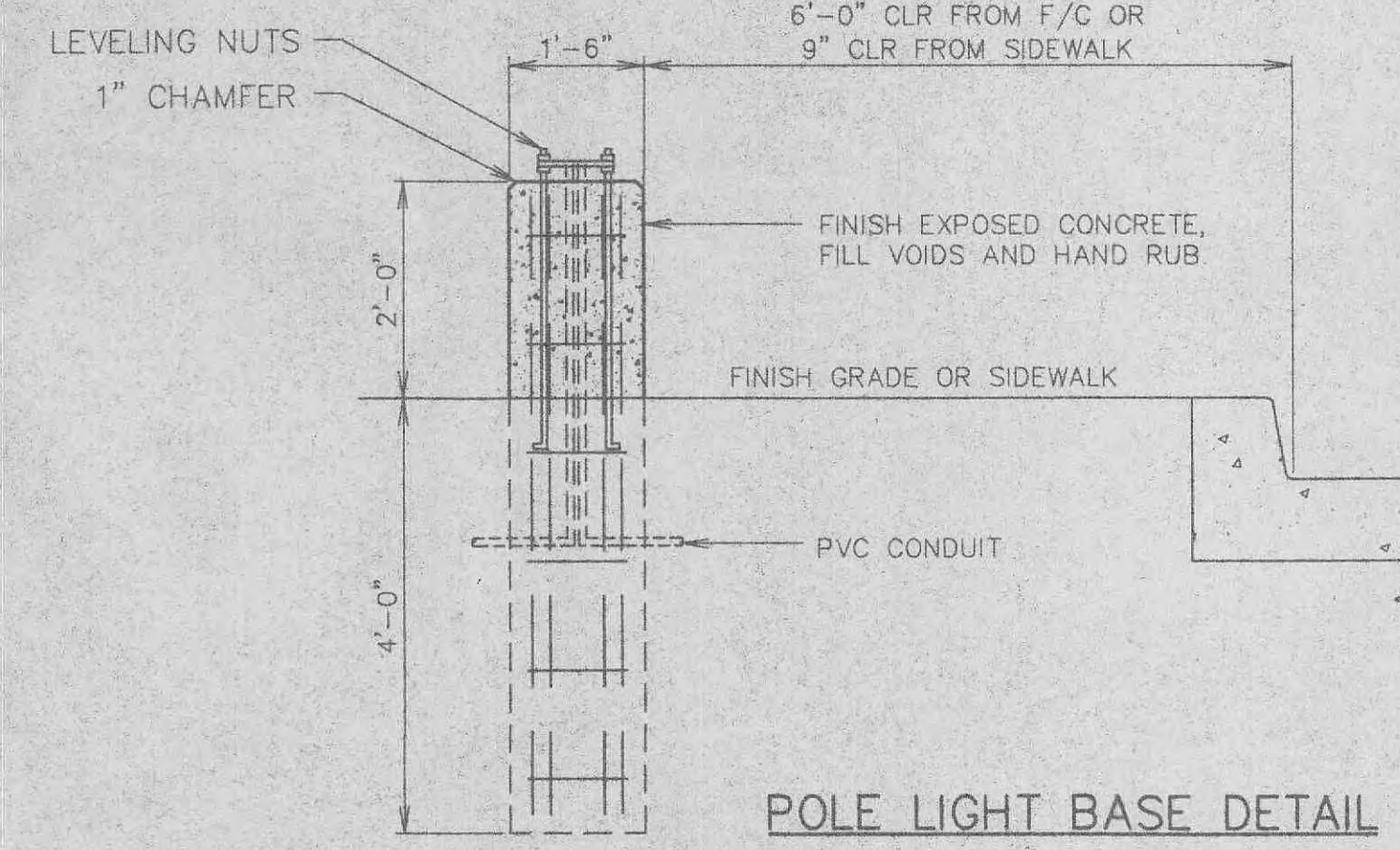
AIR COMPRESSOR AND FREEZLESS YARD HYDRANT PAD - PLAN



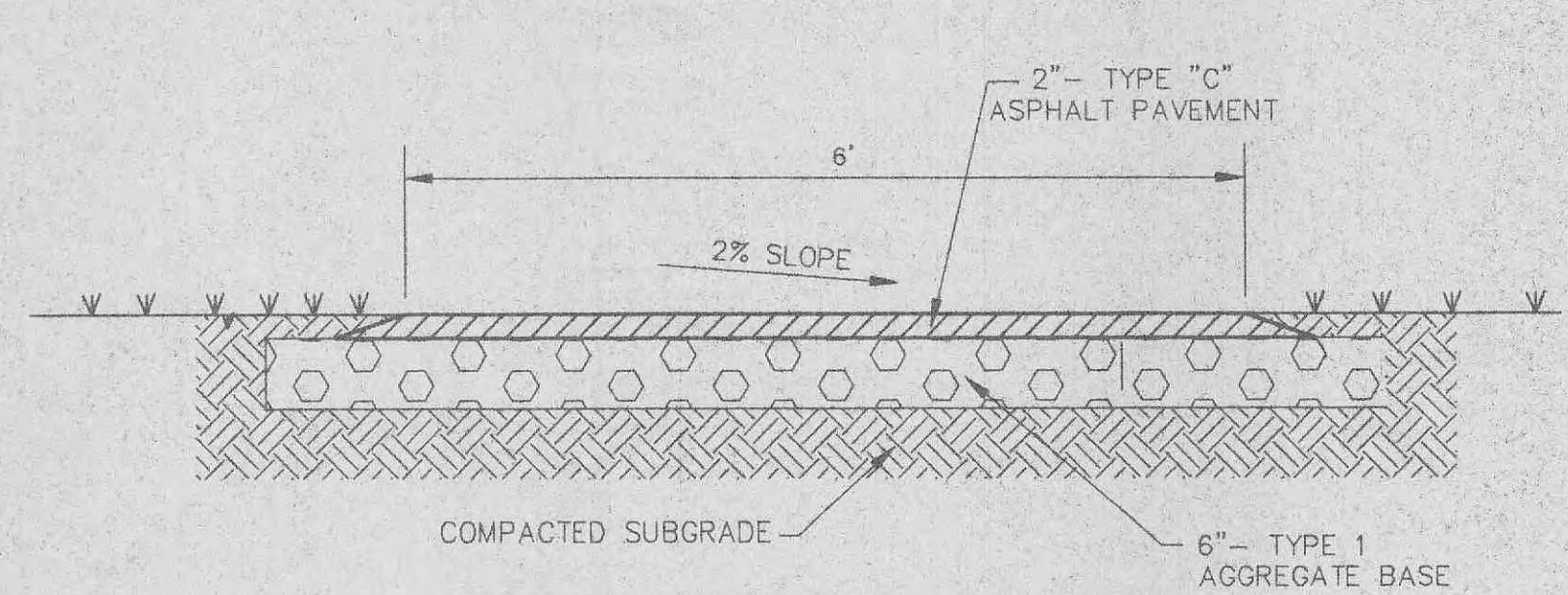
AIR COMPRESSOR AND FREEZLESS YARD HYDRANT PAD - ELEVATION/SECTION



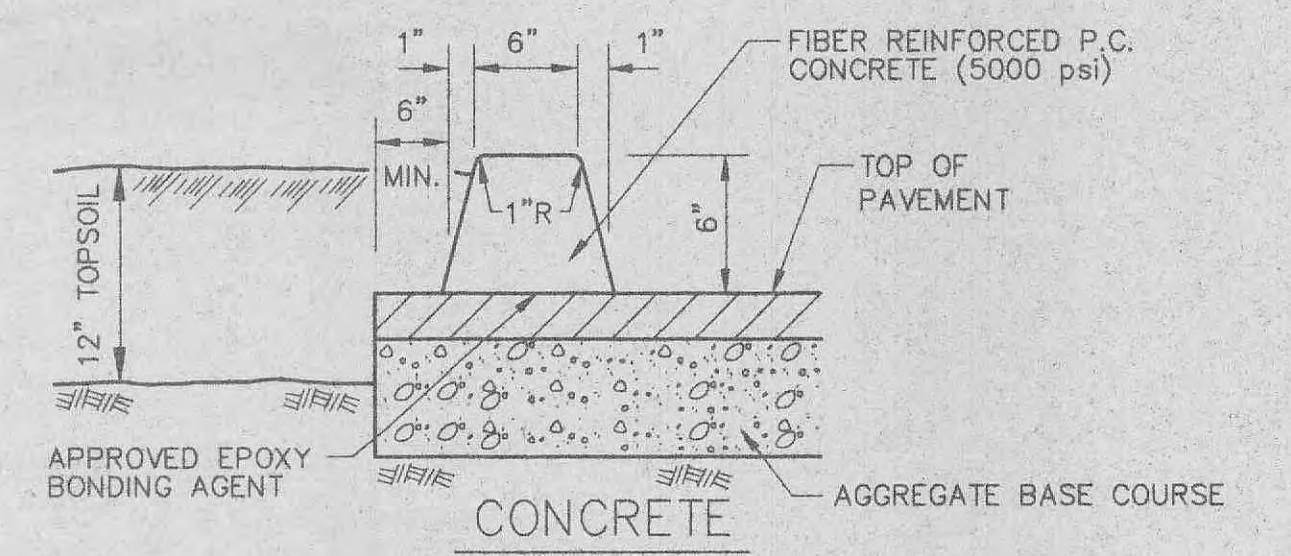
9.5" Ø ANCHOR BOLT TEMPLATE



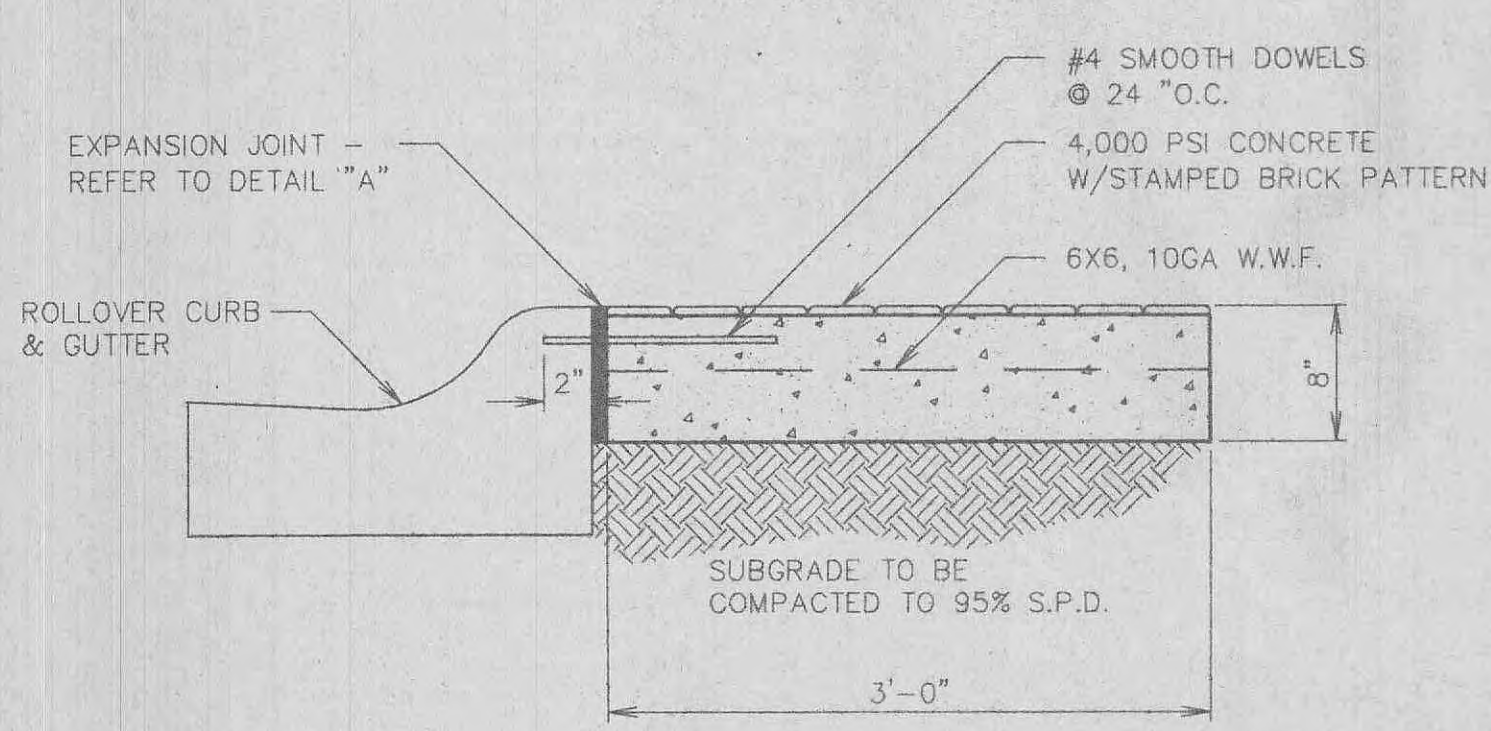
POLE LIGHT BASE DETAIL



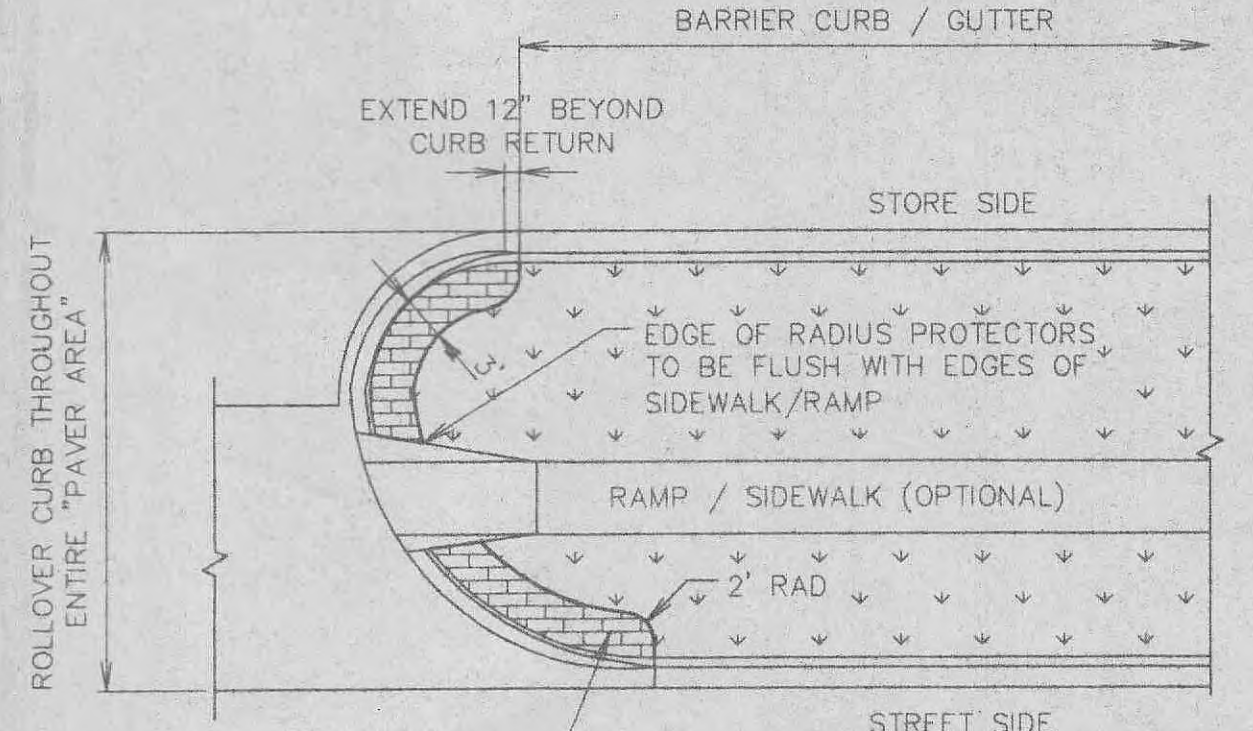
MULTI-USE TRAIL
N.T.S.



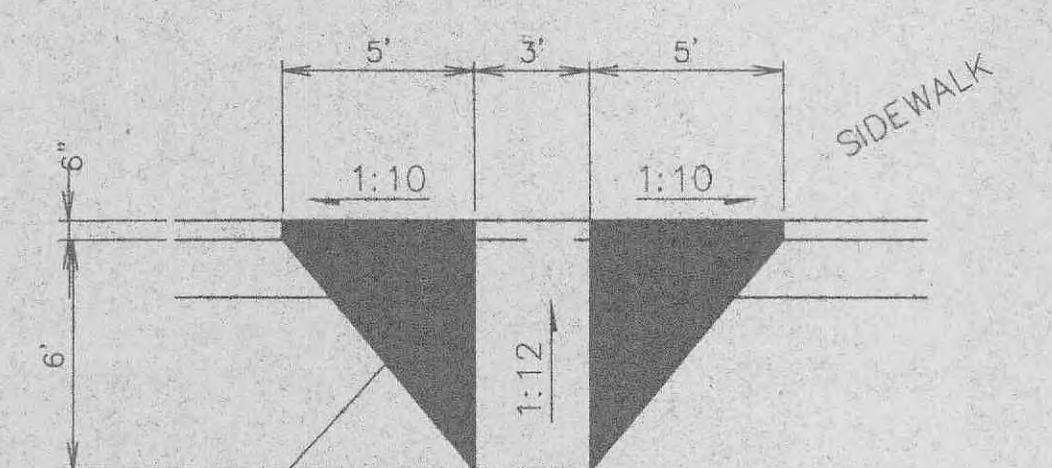
EXTRUDED CURB
(USED AT CROSS ACCESS DRIVE)
N.T.S.



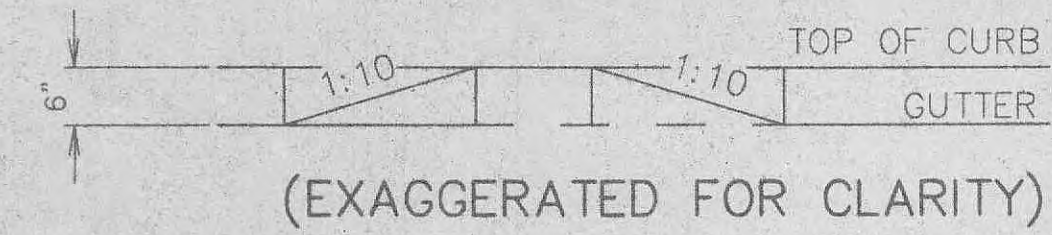
TYPICAL RADIUS PROTECTOR SECTION



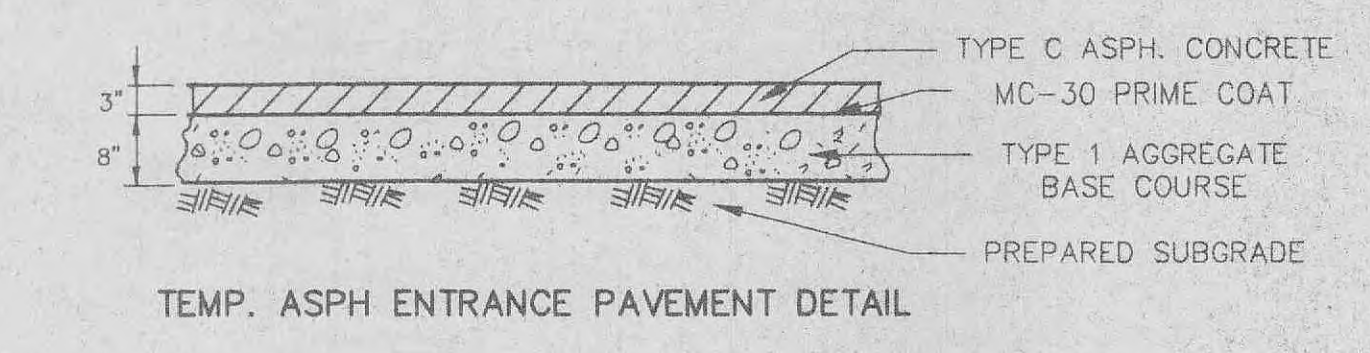
TYPICAL RADIUS PROTECTOR PLACEMENT PLAN



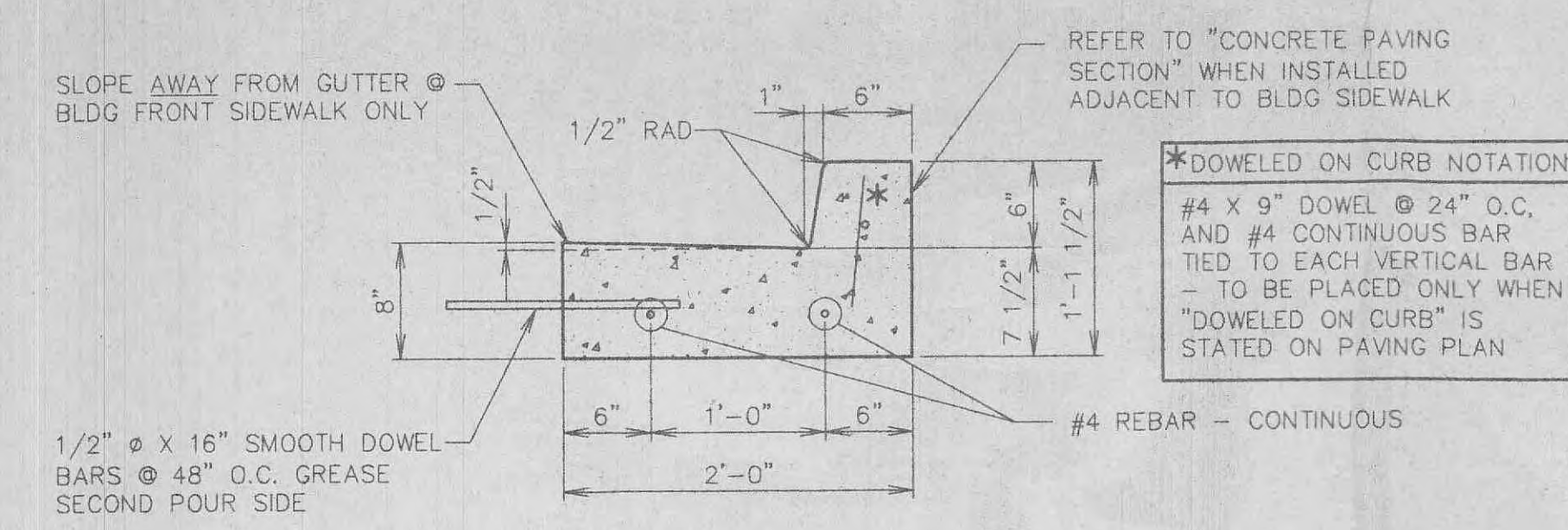
TYPICAL HC RAMP - PLAN



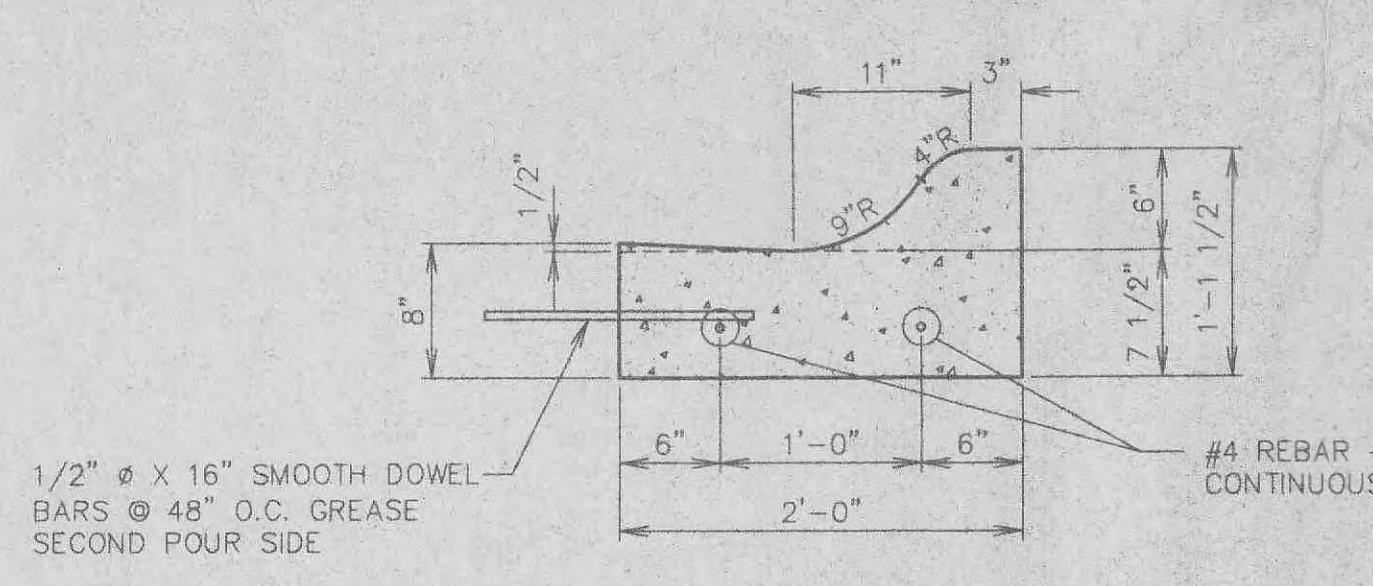
TYPICAL HC RAMP - ELEVATION
(EXAGGERATED FOR CLARITY)



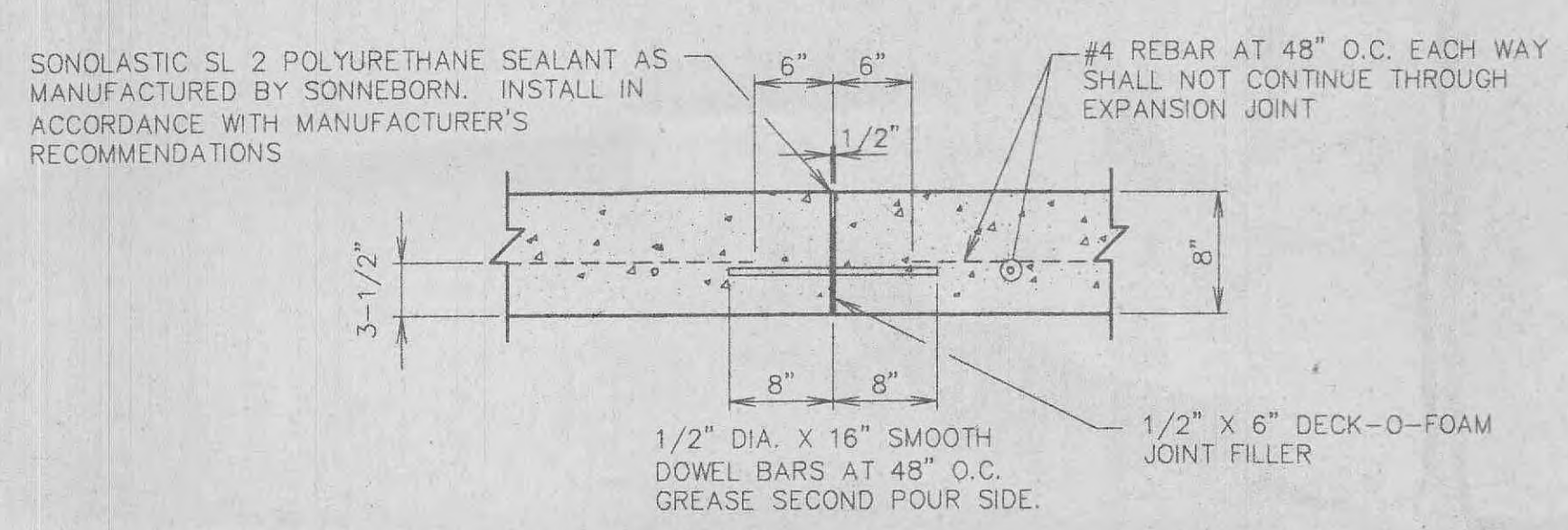
TEMP. ASPH ENTRANCE PAVEMENT DETAIL



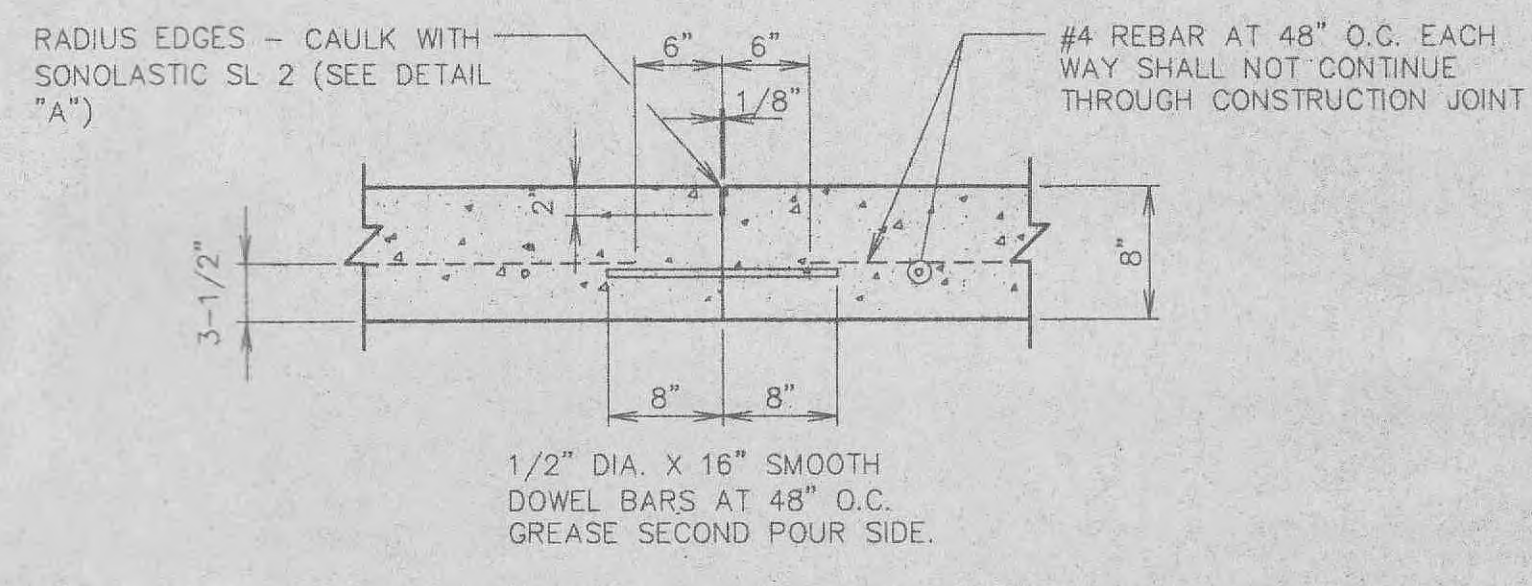
TYPICAL BARRIER CONCRETE CURB AND GUTTER - SECTION "D"



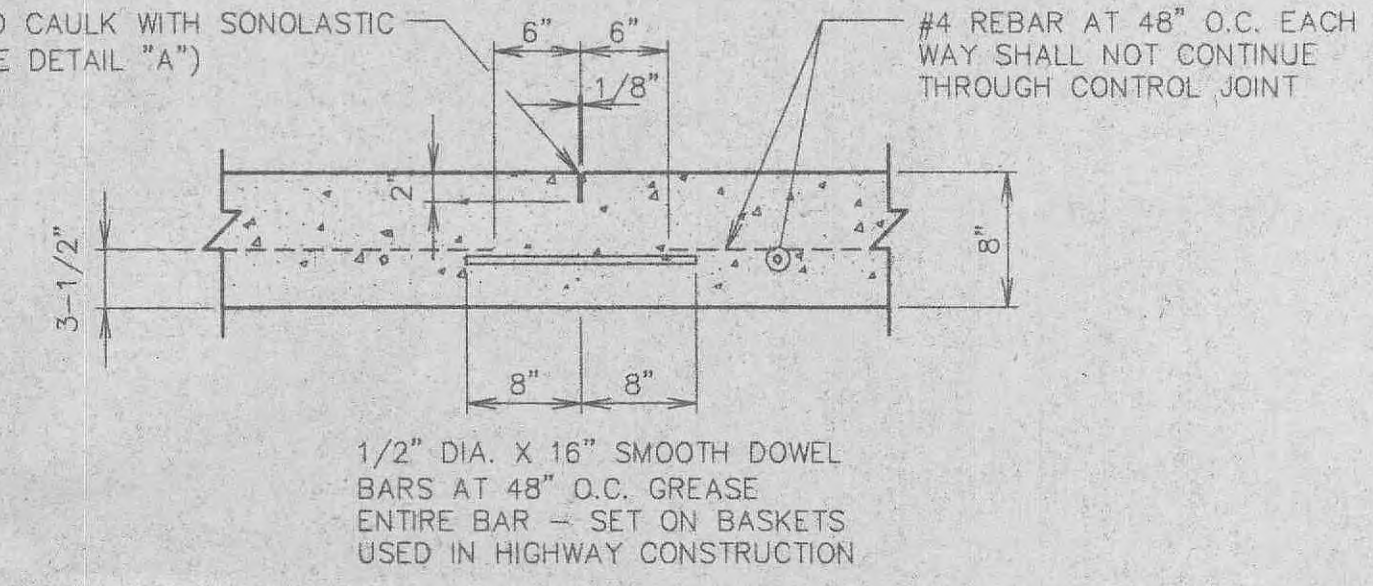
TYPICAL ROLLOVER CONCRETE CURB AND GUTTER - SECTION "E"



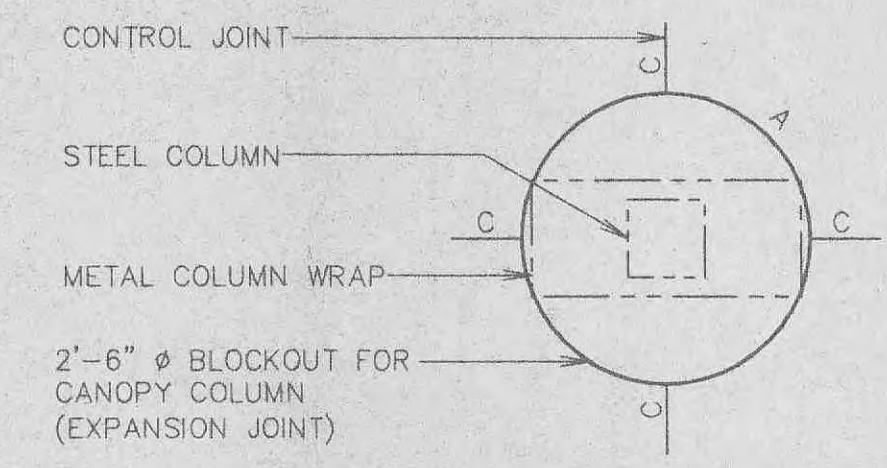
TYPICAL CONCRETE EXPANSION JOINT - DETAIL "A"



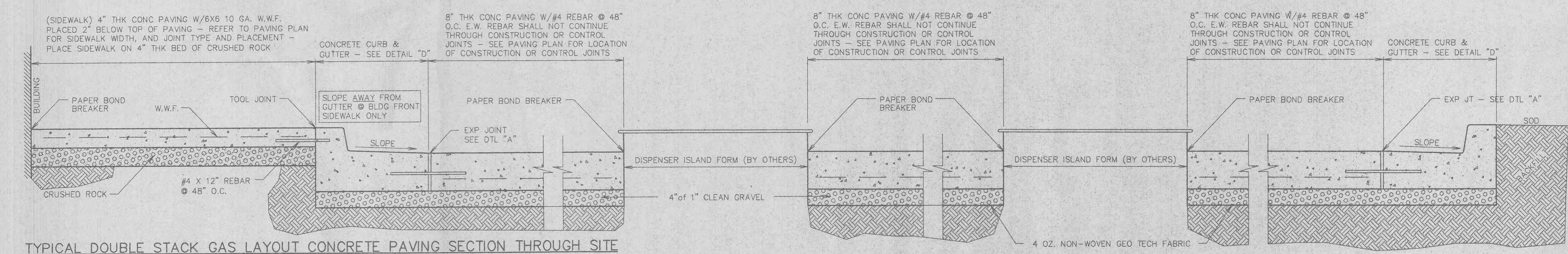
TYPICAL CONCRETE CONSTRUCTION JOINT - DETAIL "B"



TYPICAL CONCRETE CONTROL JOINT - DETAIL "C"



"ROUND" COLUMN BLOCKOUT - PLAN



TYPICAL DOUBLE STACK GAS LAYOUT CONCRETE PAVING SECTION THROUGH SITE



| | |
|--|---|
| REVISIONS | |
| 1 | 9/13/99 HRL ADDED DETAILS |
| QT QUIKTRIP CORPORATION 2255 BLUESTONE DRIVE ST. CHARLES, MO. 63303 PH # (314) 916-5706 FAX # (314) 916-5764 | |
| QUIKTRIP #632 PAVEMENT DETAILS | |
| the clayton engineering company, inc. ENGINEERS • SURVEYORS • PLANNERS 11820 WESTLINE INDUSTRIAL DRIVE ST. LOUIS, MISSOURI 63146 (314) 862-8888 FAX: (314) 862-8888 clayton-engineering.com | Designed: HRL Drawn: DJG Checked: DJG Date: 9/6/99 Project Number: 99051 Sheet Number: 5 of 11 |
| FILE P:\99051\PLANS\PMW-DTLS.DWG | PLOTTED 09/13/1999 8:43 AM |
| F.S. | I.B. |