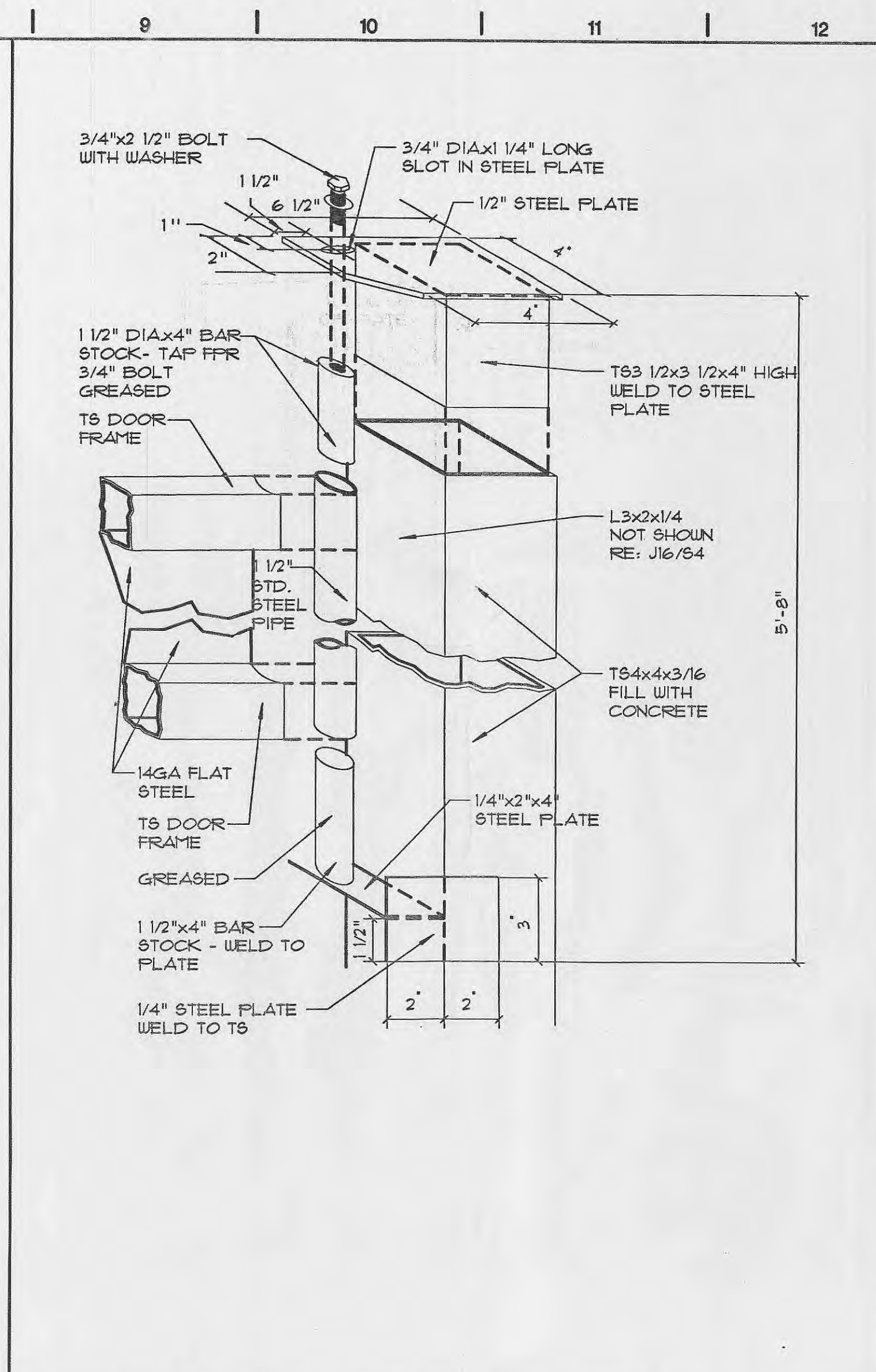
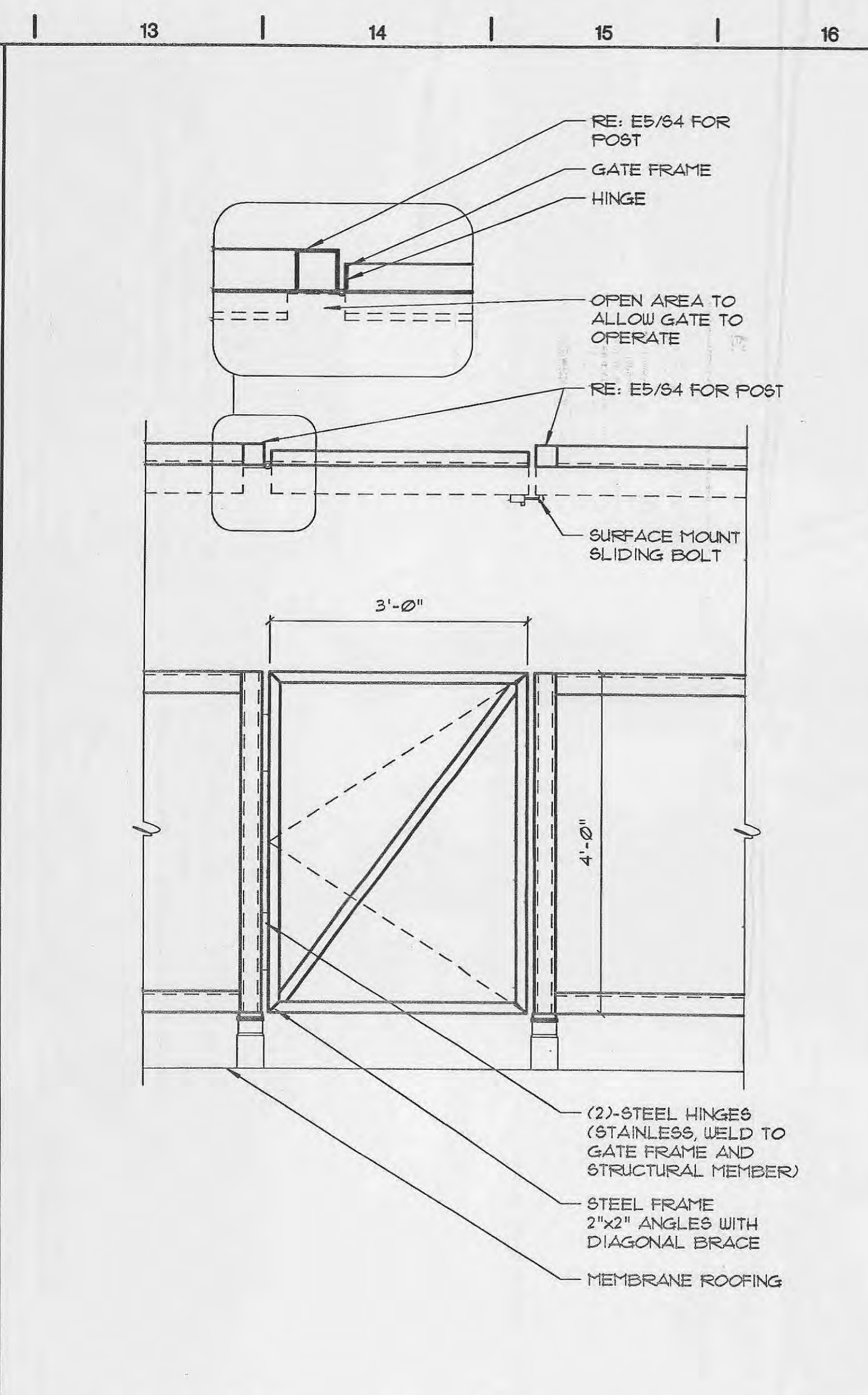


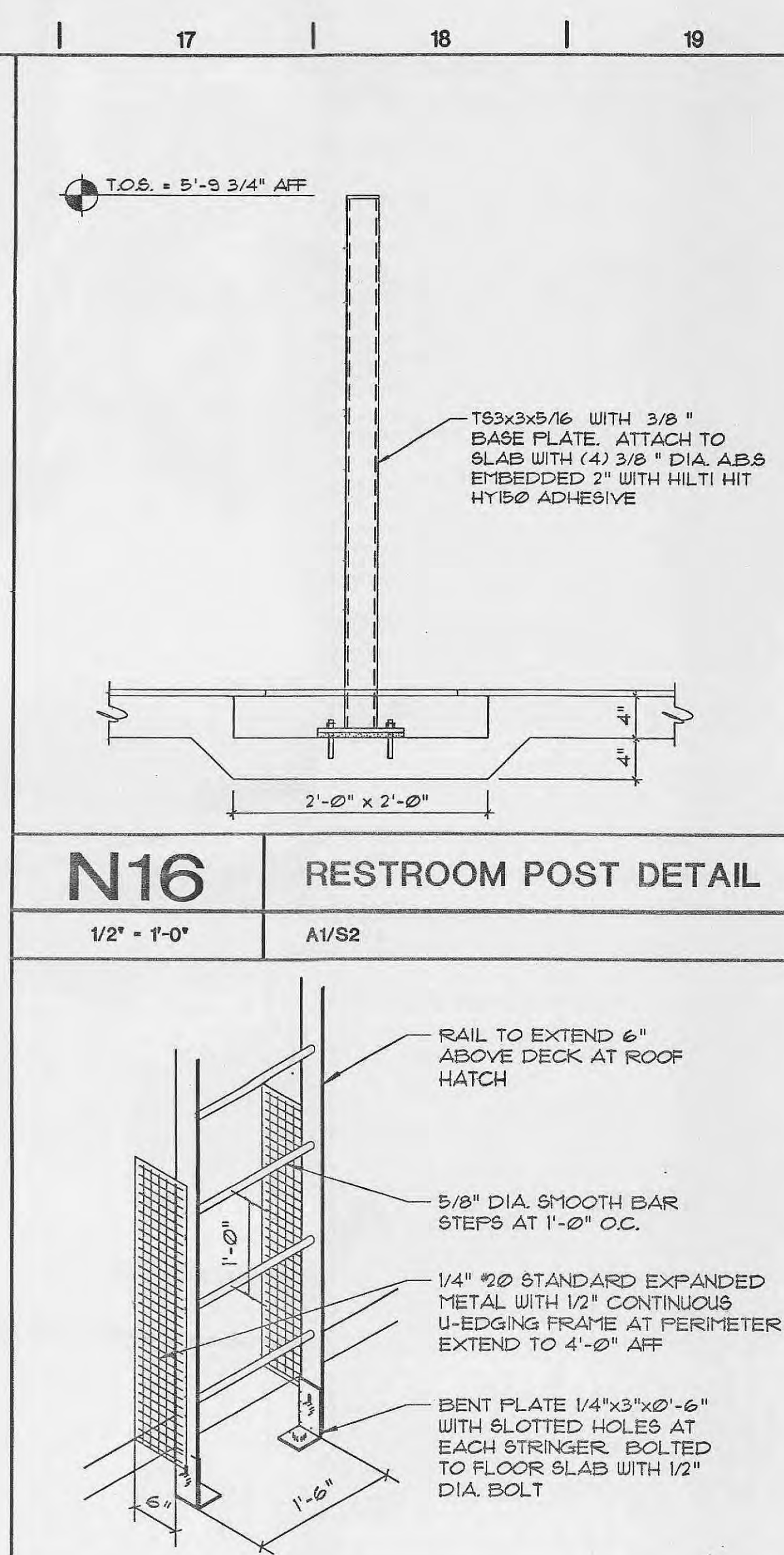
J1 TRASH ENCLOSURE SECTION
3/4" - 1'-0" E9/84



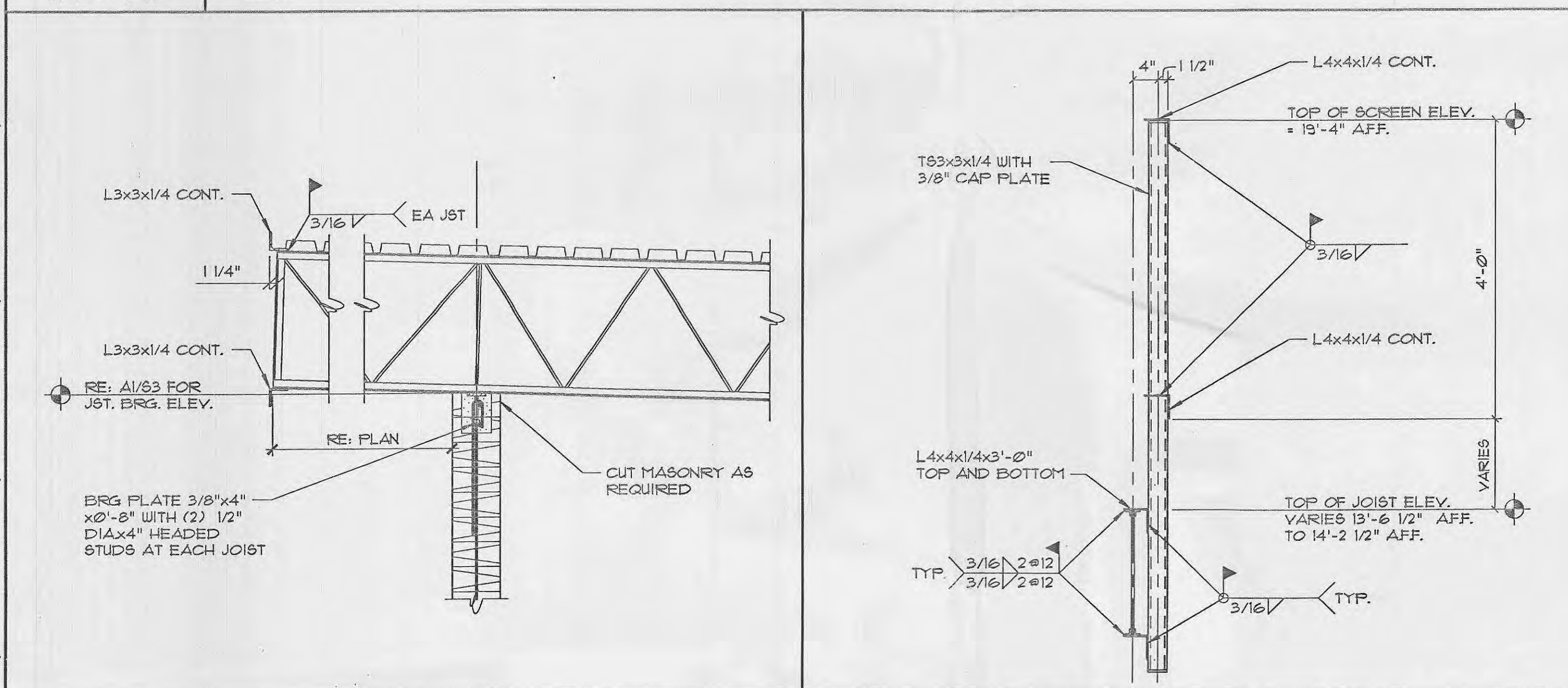
J9 ISOMETRIC OF TRASH GATE POST JAMB
NO SCALE E1/85



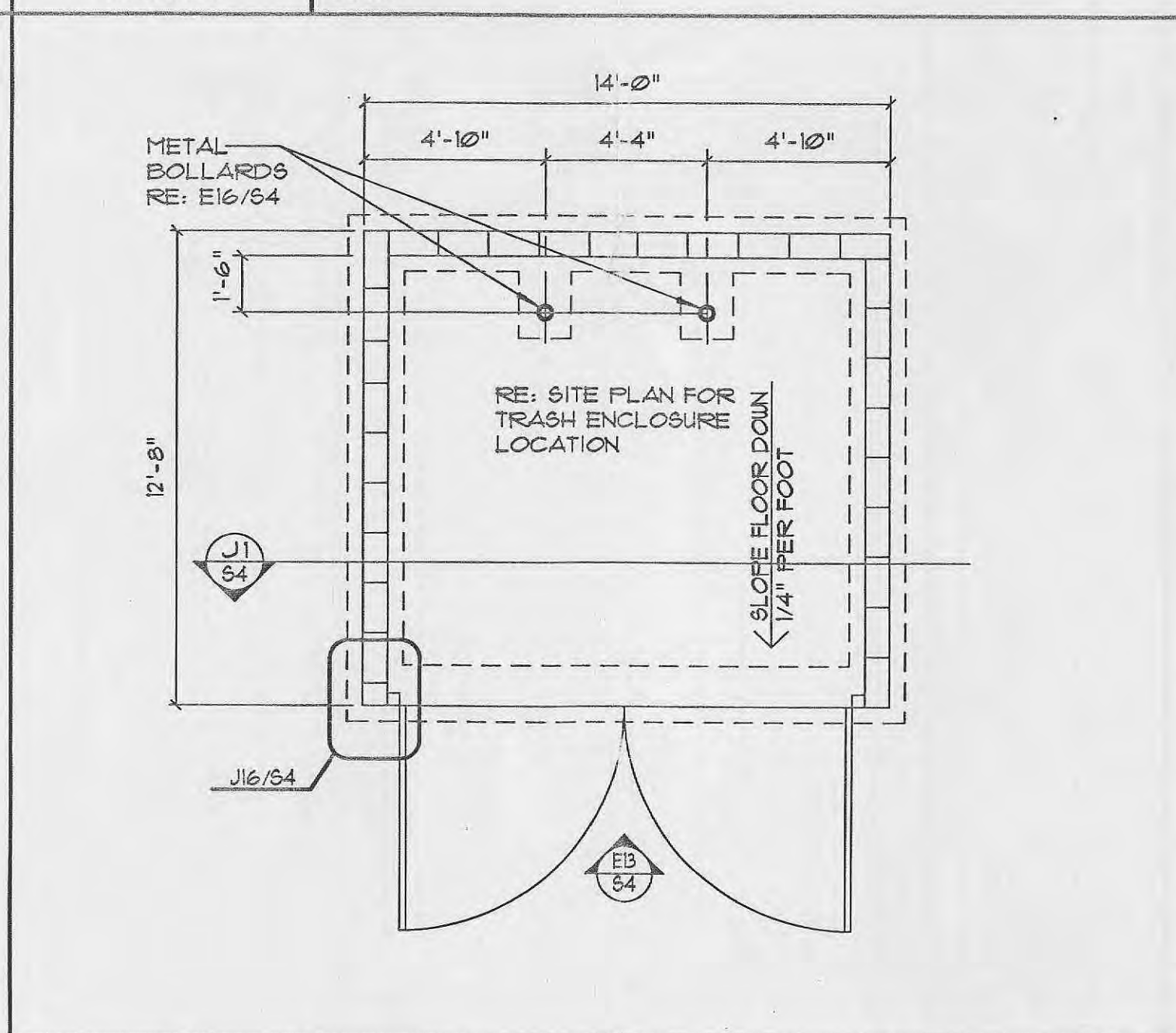
J13 MECHANICAL SCREEN GATE
3/4" - 1'-0"



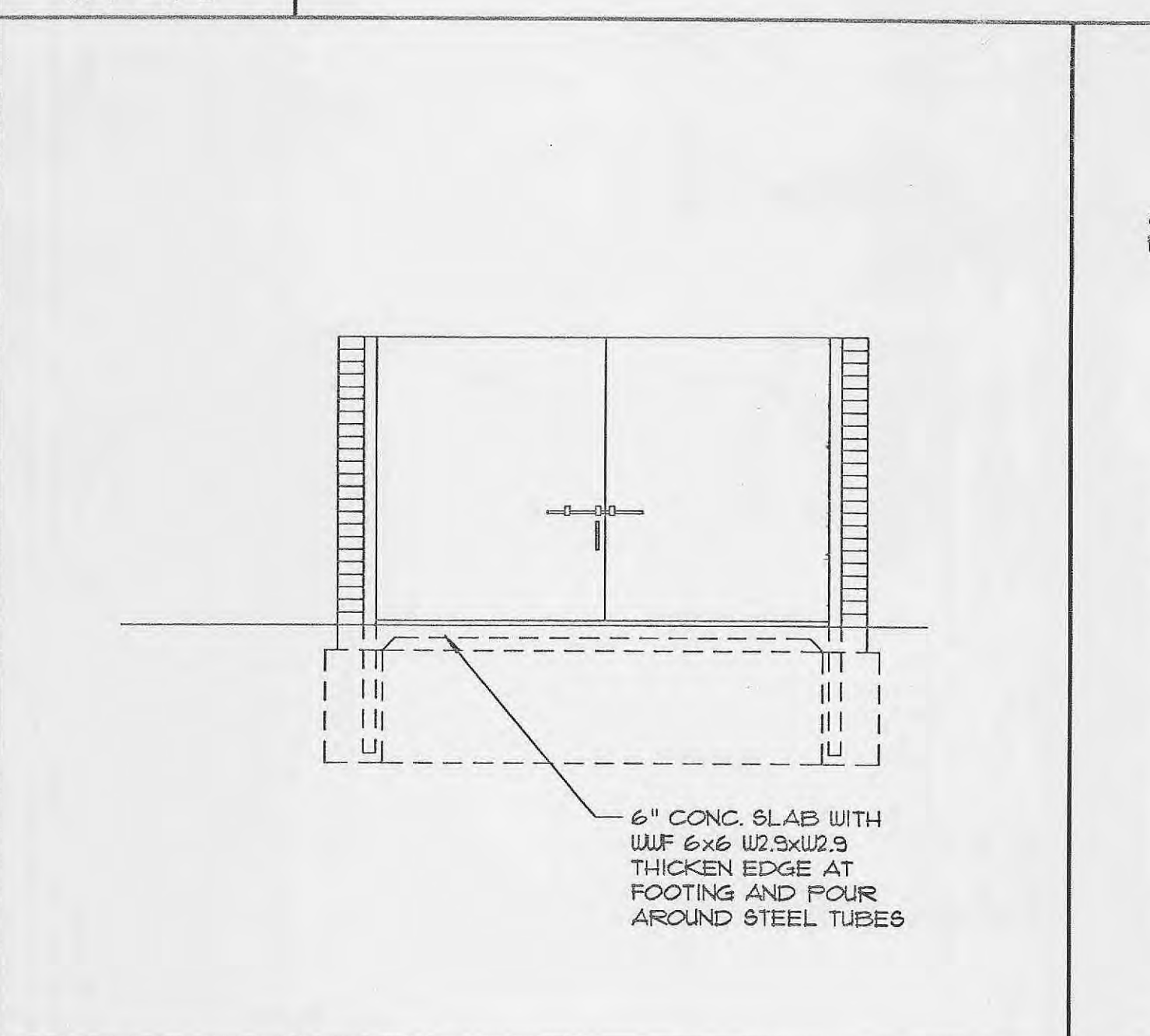
J16 RESTROOM POST DETAIL
1/2" - 1'-0" A1/S2



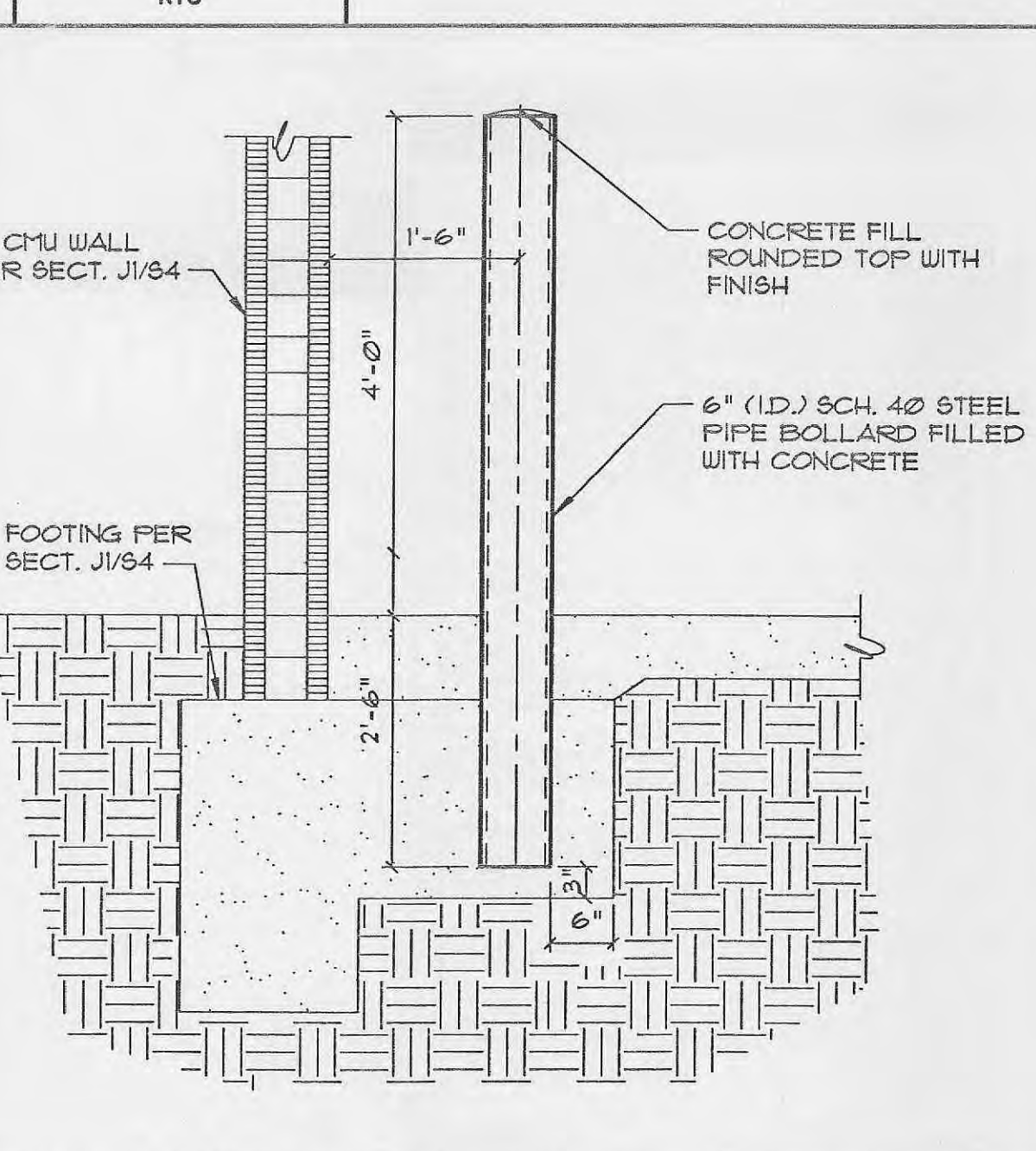
E1 JOIST BEARING AT FRONT CANOPY
3/4" - 1'-0" A1/83



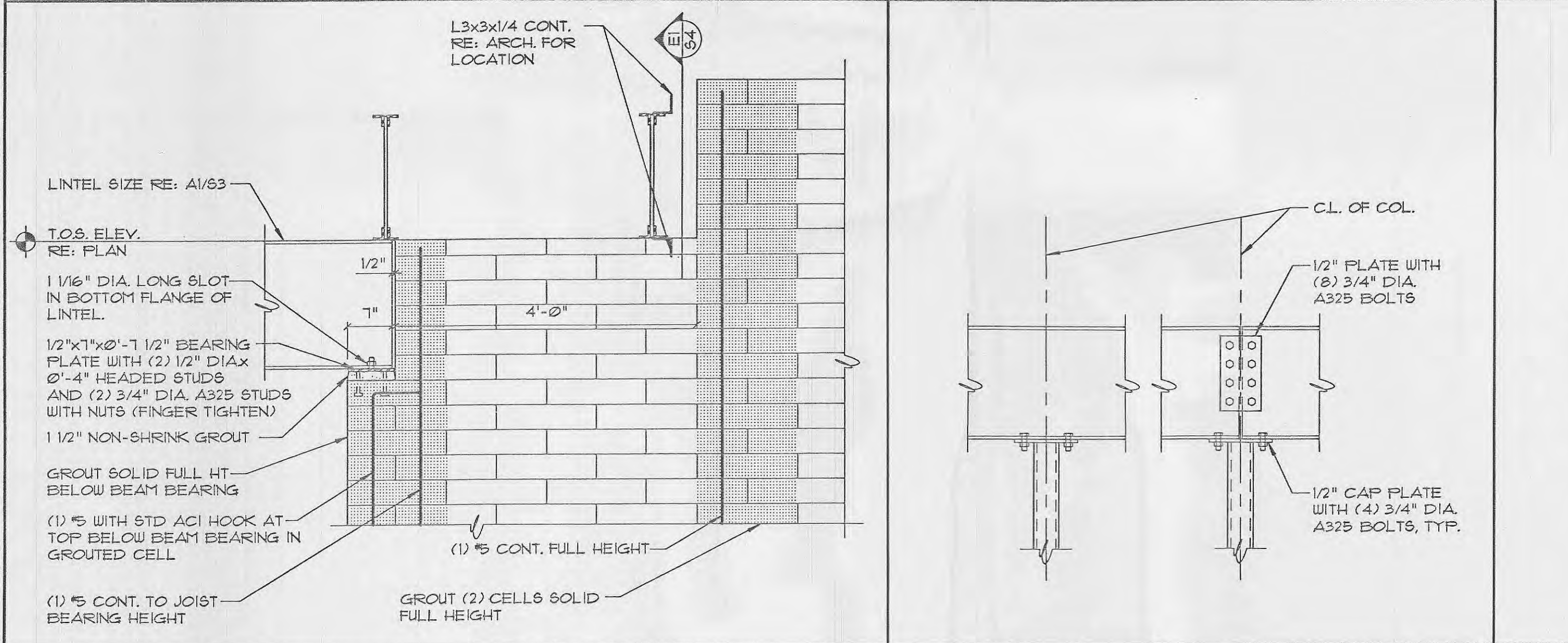
E5 MECHANICAL SCREEN DETAIL
3/4" - 1'-0" A1/83



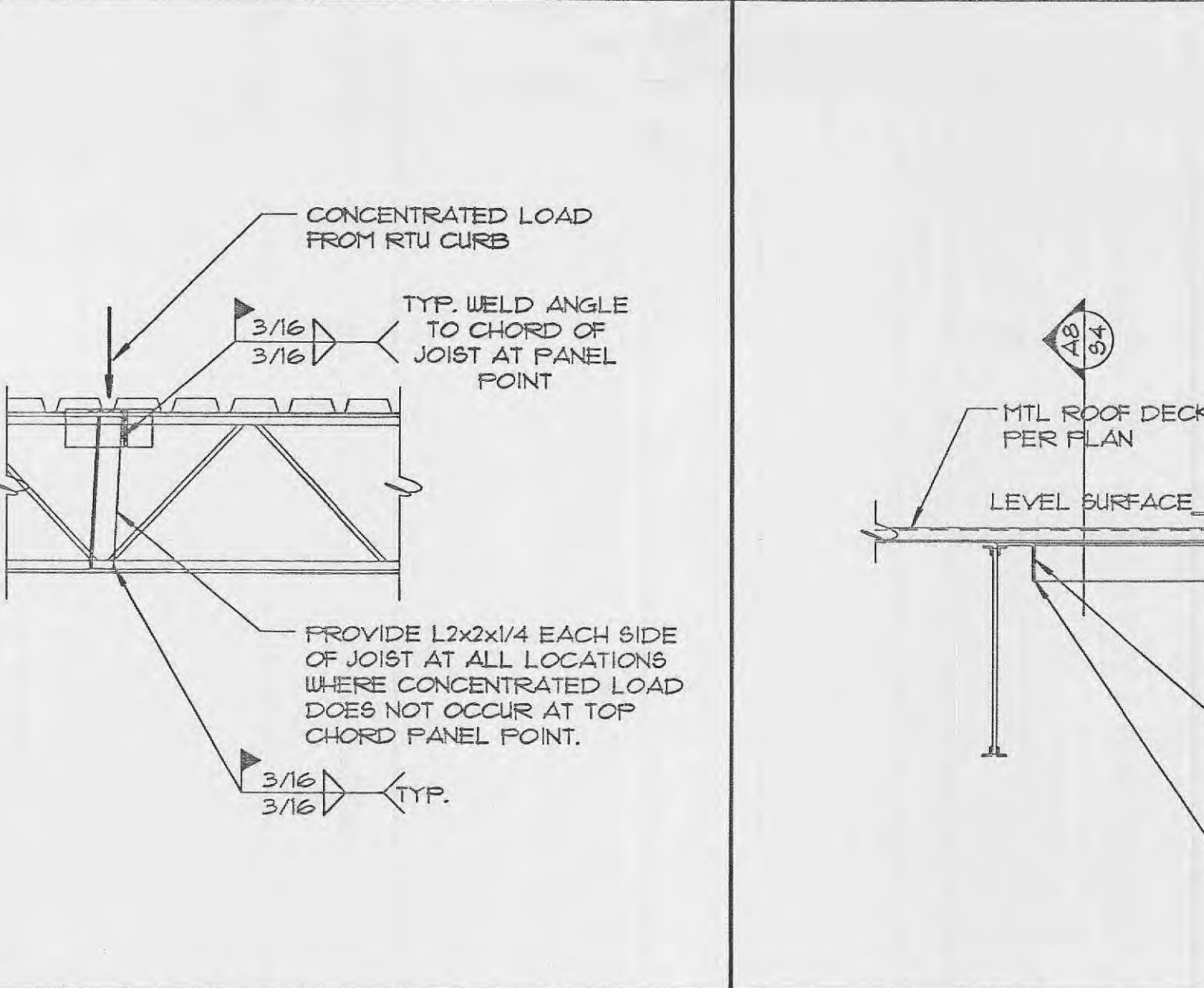
E9 TRASH ENCLOSURE PLAN
1/4" - 1'-0"



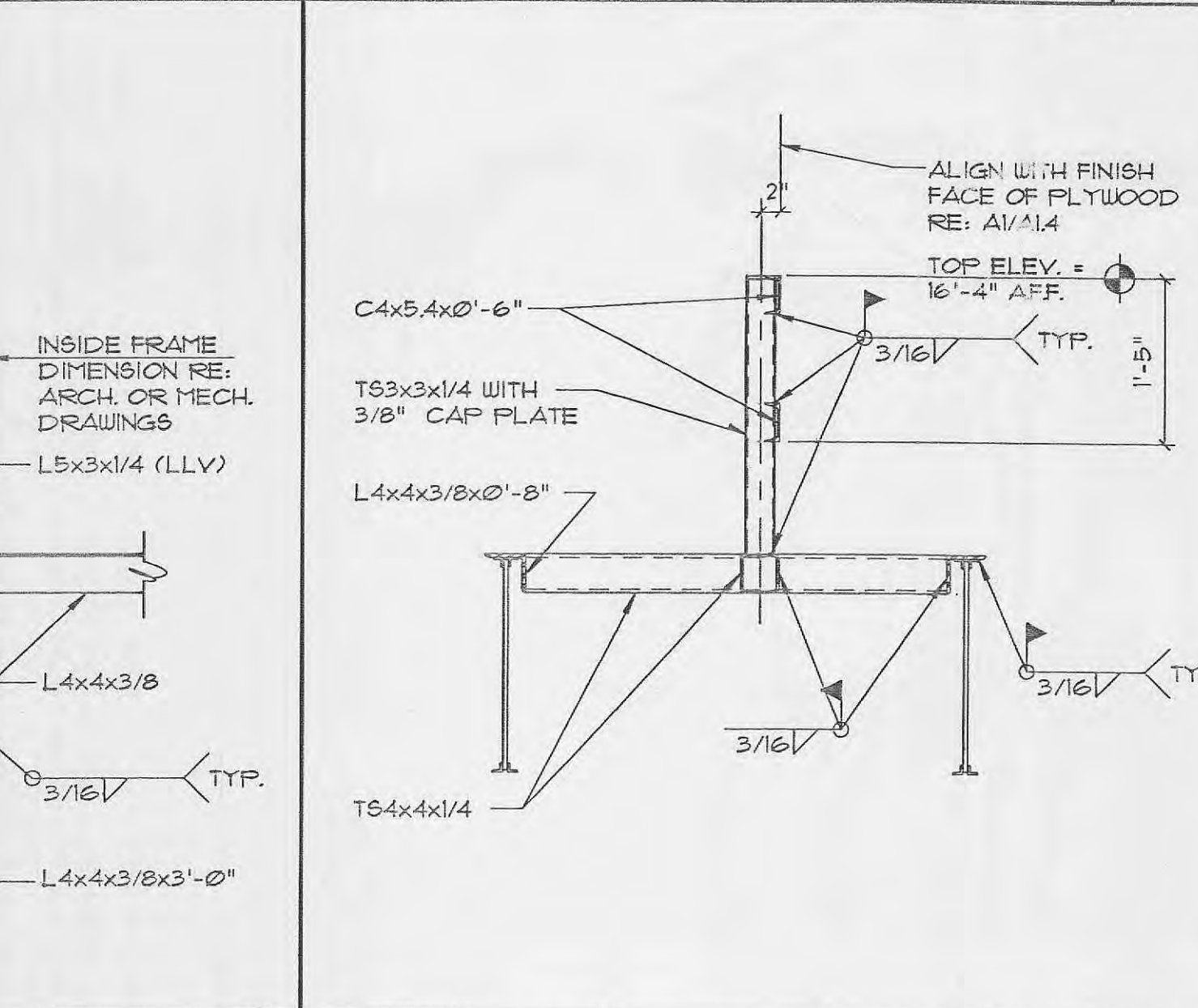
E16 BOLLARD DETAIL
3/4" - 1'-0" E9/84



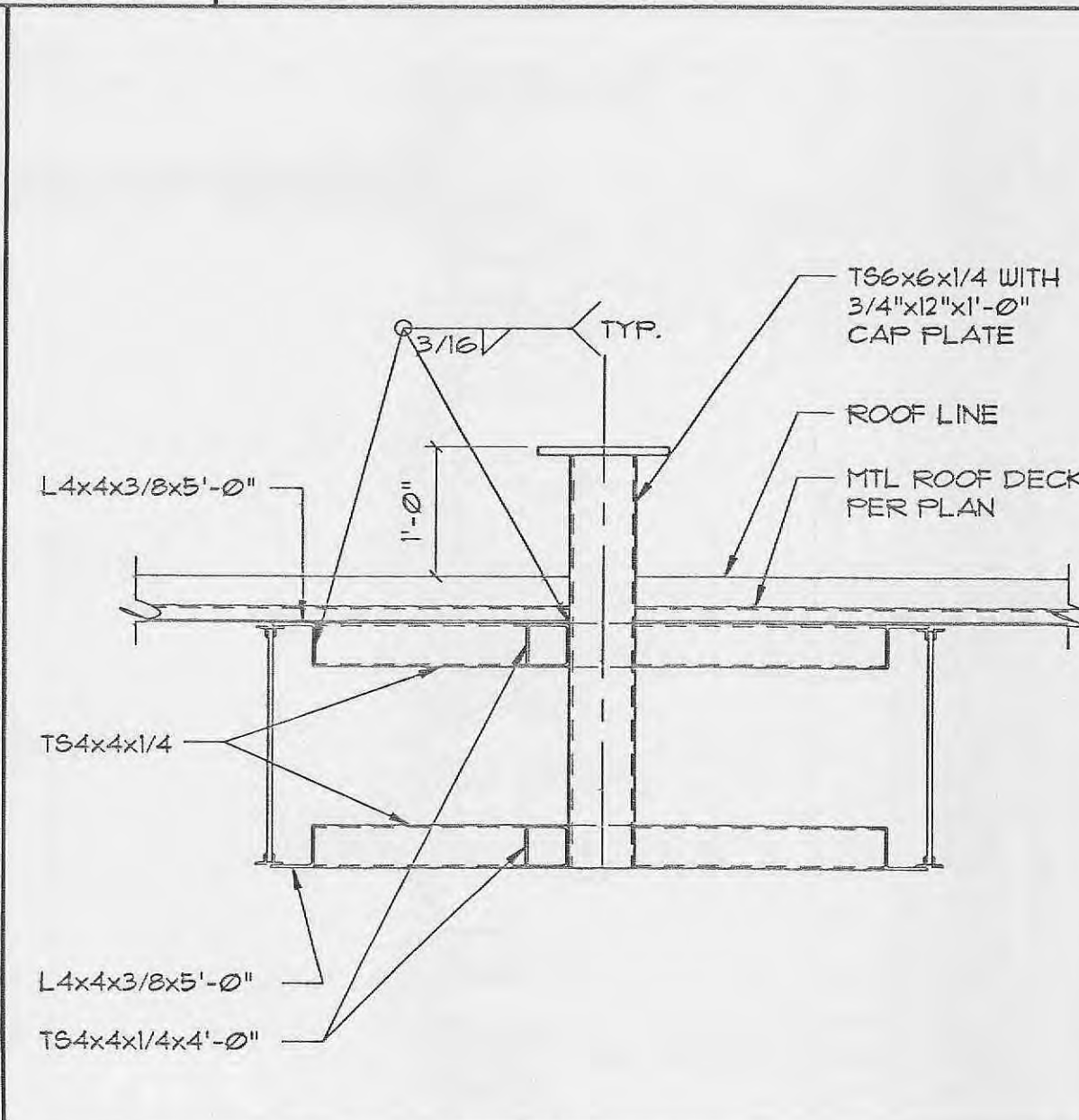
A1 SECTION AT ENTRY
3/4" - 1'-0" A1/83



A5 SECT. AT FRONT ENTRY
3/4" - 1'-0" A1/83



A8 SECT. AT POINT LOAD
3/4" - 1'-0" A1/84



A11 SECT. AT OPENING
3/4" - 1'-0" A1/83

STATE OF MISSOURI
PATRICK A. JOHNSON
REGISTERED PROFESSIONAL ENGINEER
NO. 15158
EXPIRES 8/31/03

JOHNSON ENGINEERS
CONSULTING PROFESSIONAL ENGINEERING
1000 W. WASHINGTON
ST. LOUIS, MISSOURI 63101
PHONE (314) 436-4400
FAX (314) 436-4401
© Copyright 1998 Johnson Engineers Associates

QT4800 BRAVO
ST. LOUIS DIVISION
7/9/89 Prototype

REVISION NO. 1
REVISION APPENDIX F4
REV. DATE 8/17/89

QuikTrip No. 632
8711 WELDON SPRING ROAD
ST. CHARLES, MISSOURI
SHEET TITLE: FOUNDATION AND FRAMING DETAILS

DATE: 9/2/99
SHEET NO. S4