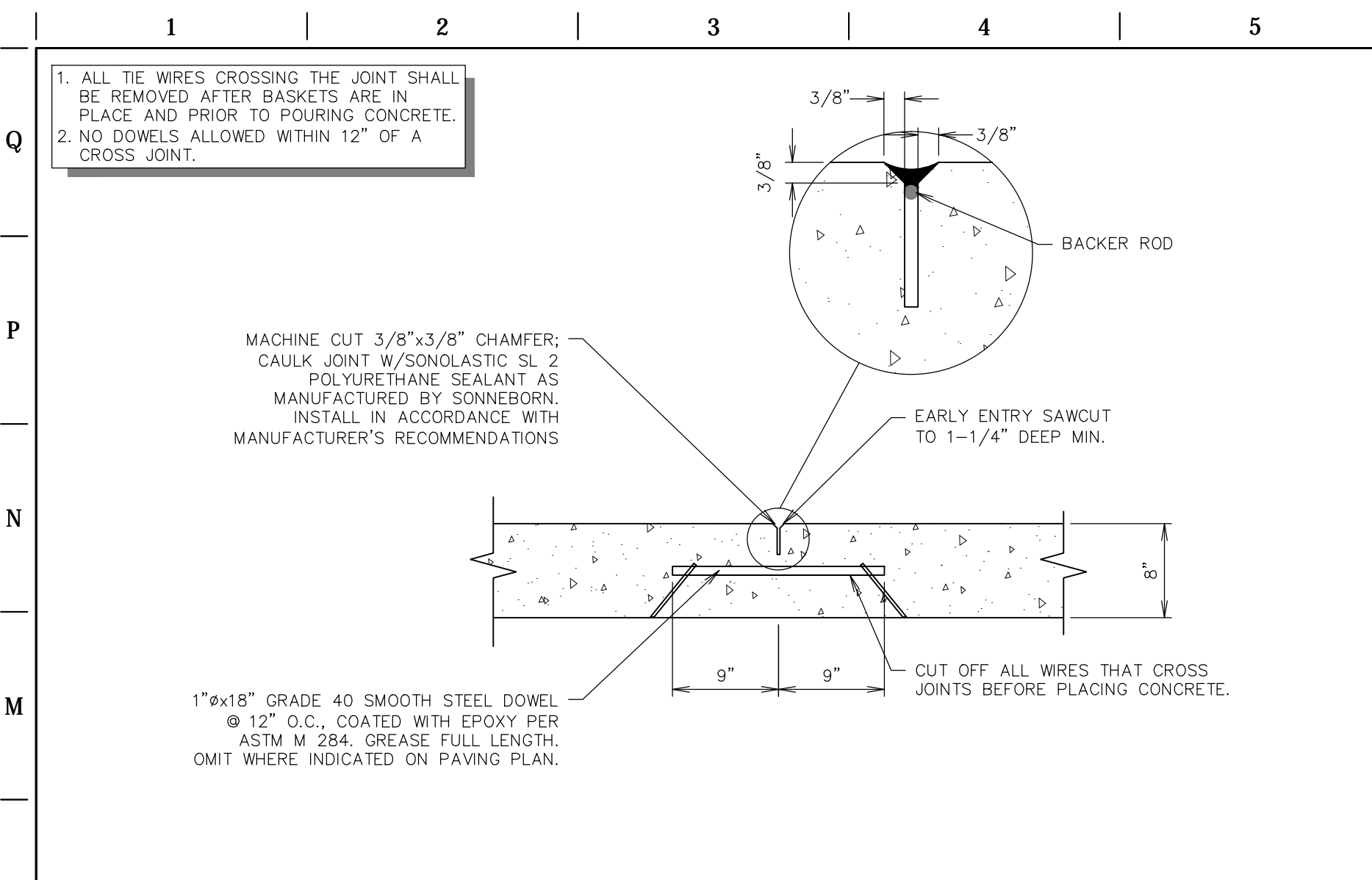
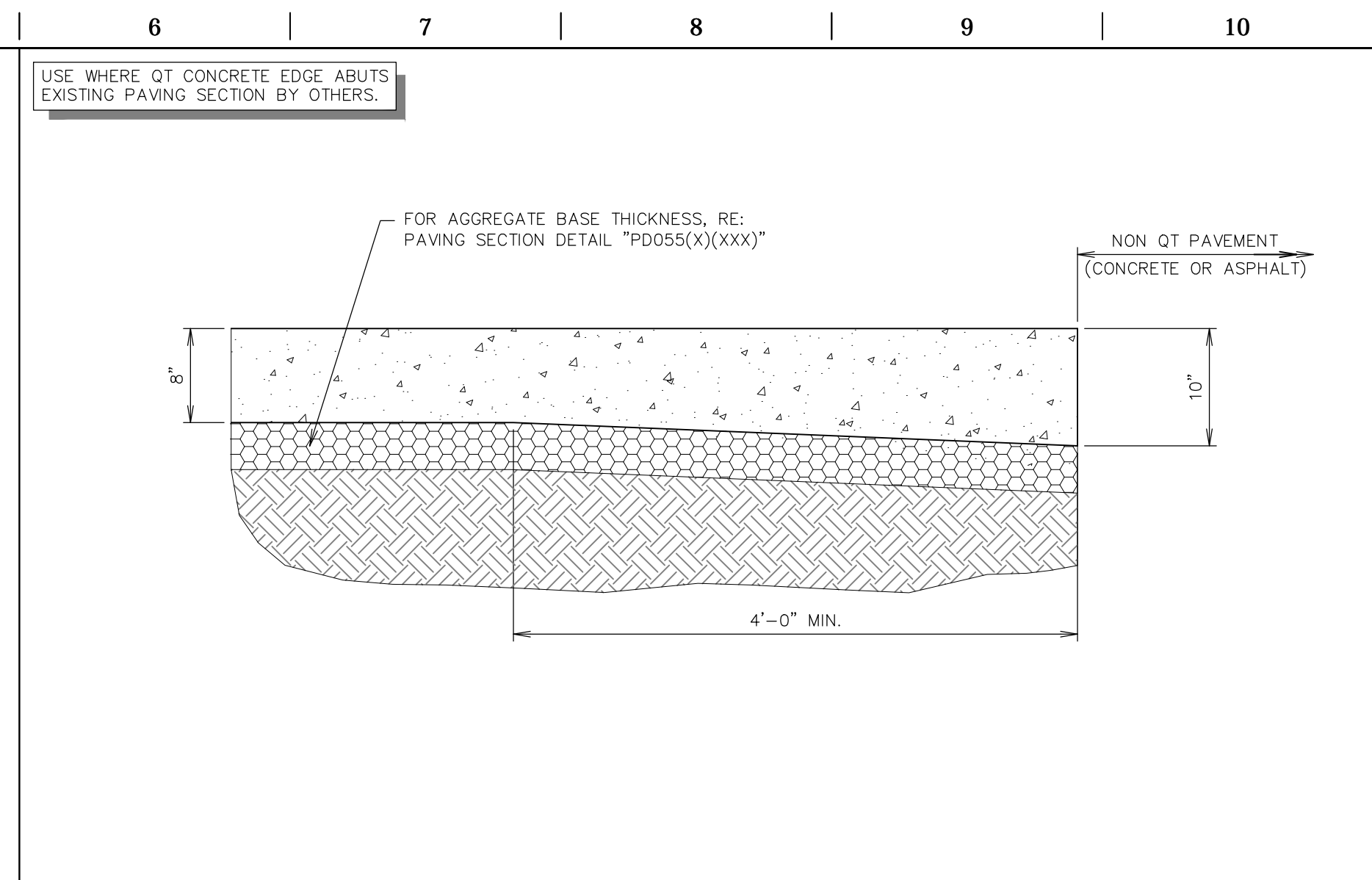


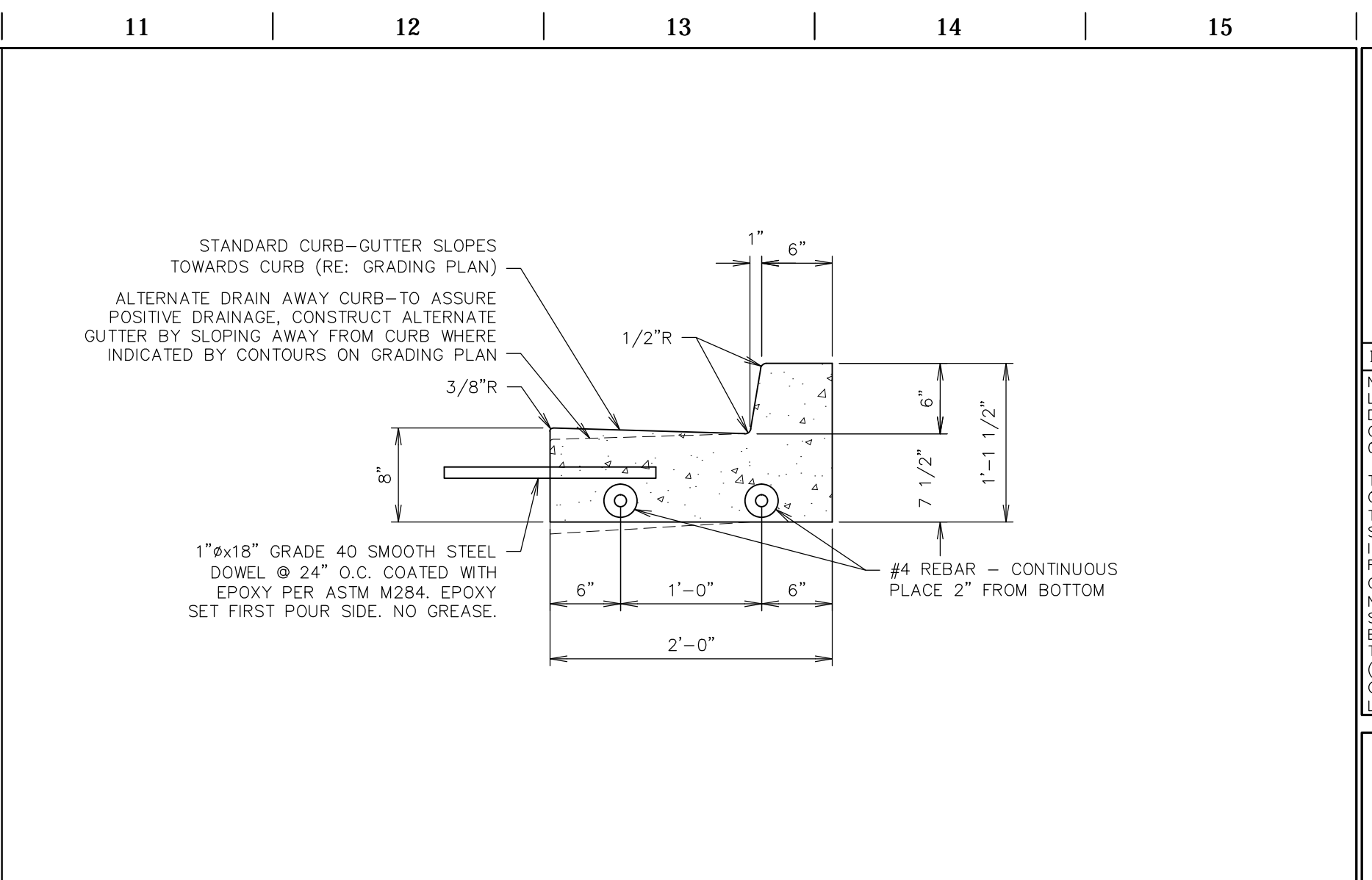
FILE LOCATION: K:\141029 - QuikTrip #0643 Mexico and Highway K\Civil\06-0643 DETAILS PAVING.DWG
 TAB NAME: Paving Detail Sheet 2
 USER: rkr
 SAVED: 6/11/2015 7:22 AM
 PLOTTED: 12/16/2015 8:14 AM



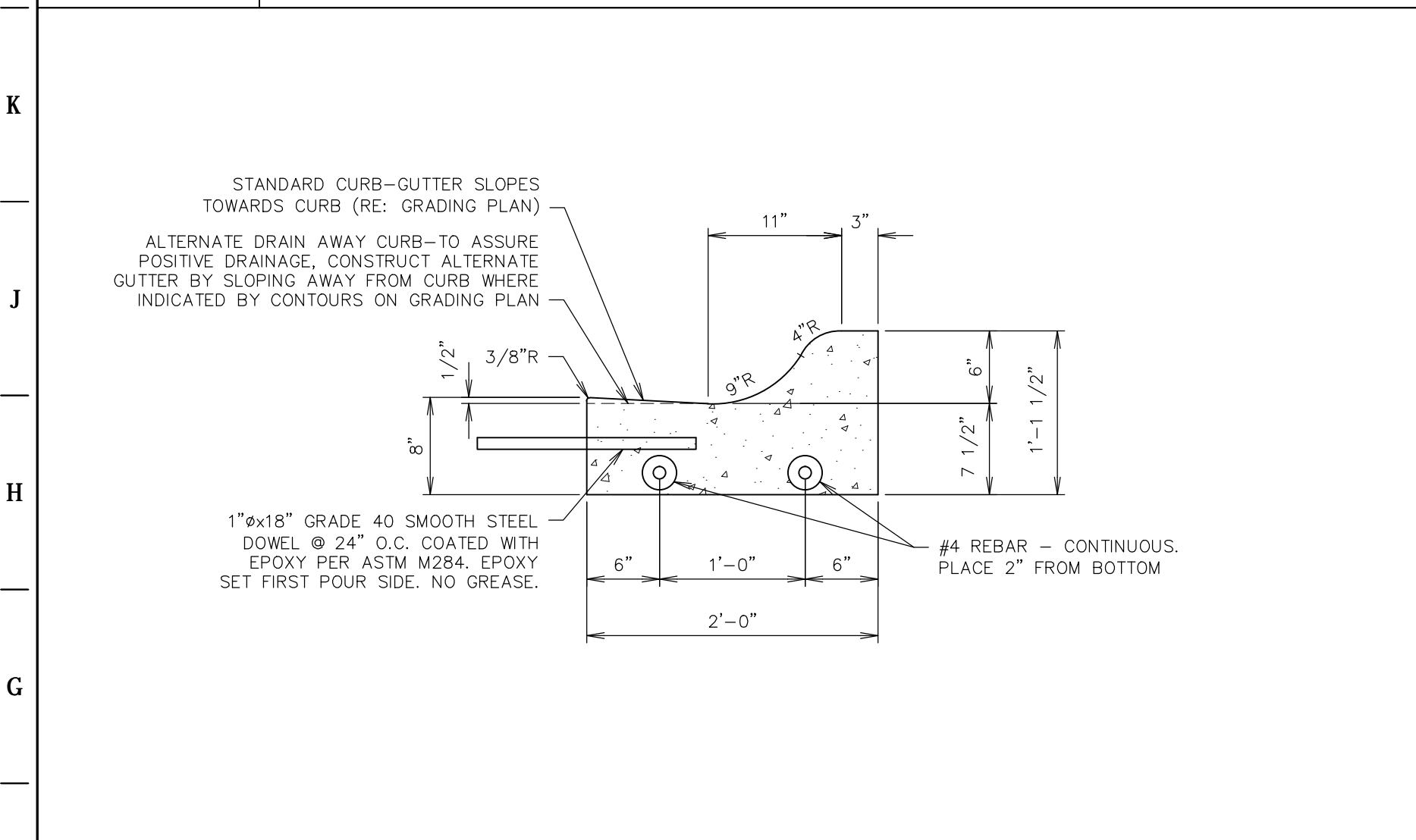
L1 PAVING JOINT - CONTRACTION
 NTS SN: PD007A006



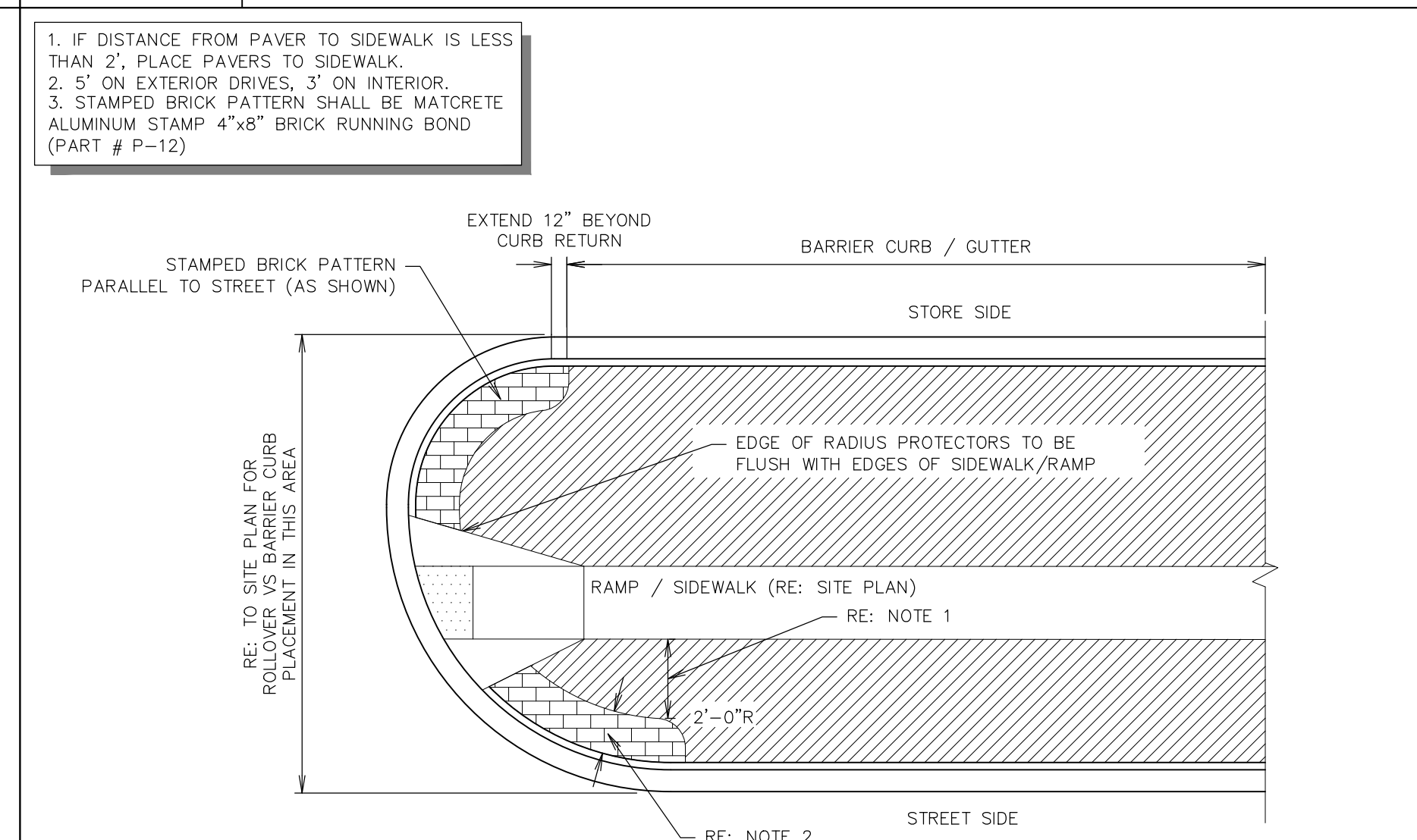
L6 THICKENED EDGE SECTION
 NTS SN: PD008A006



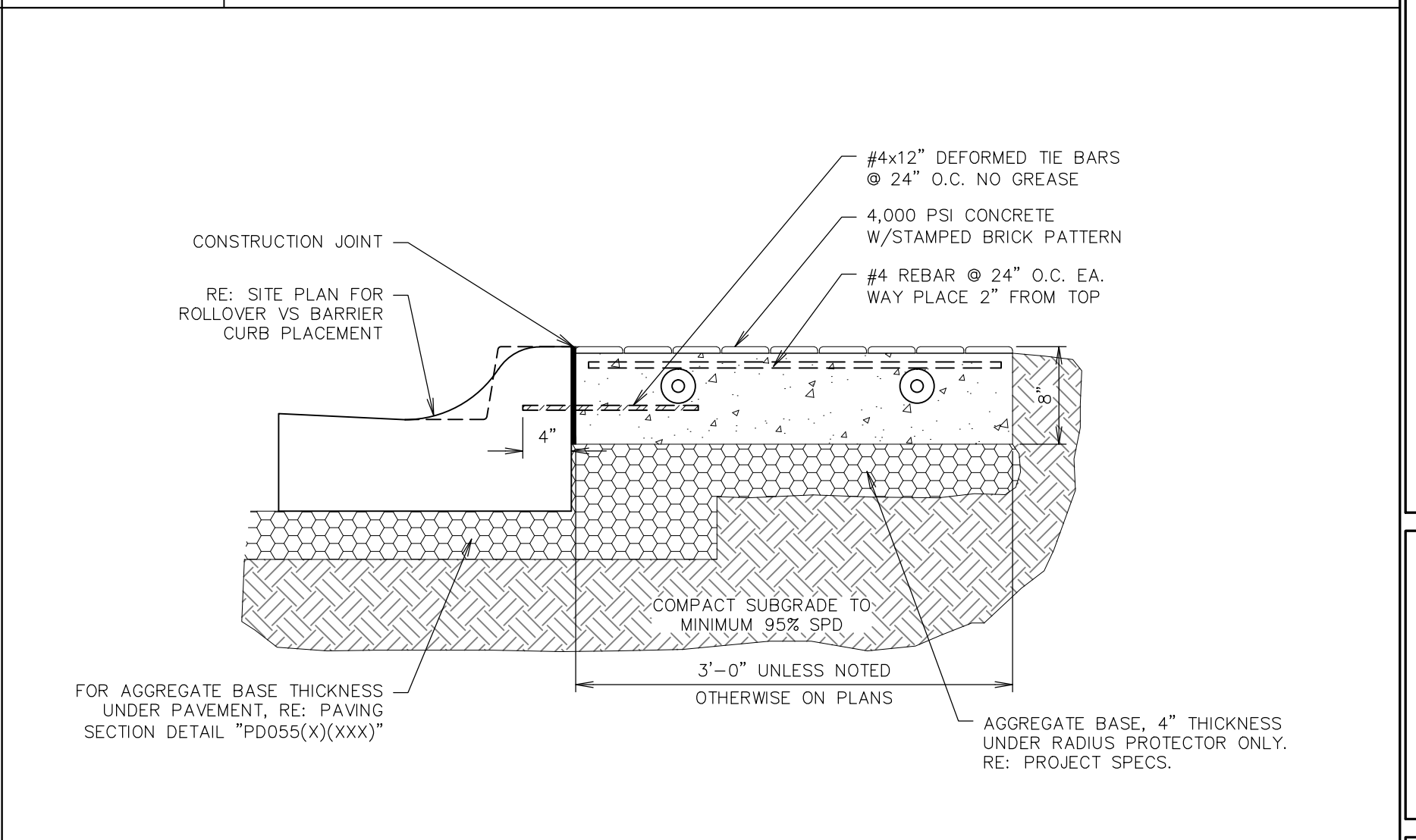
L11 CURB DETAIL - BARRIER
 NTS SN: PD009A006



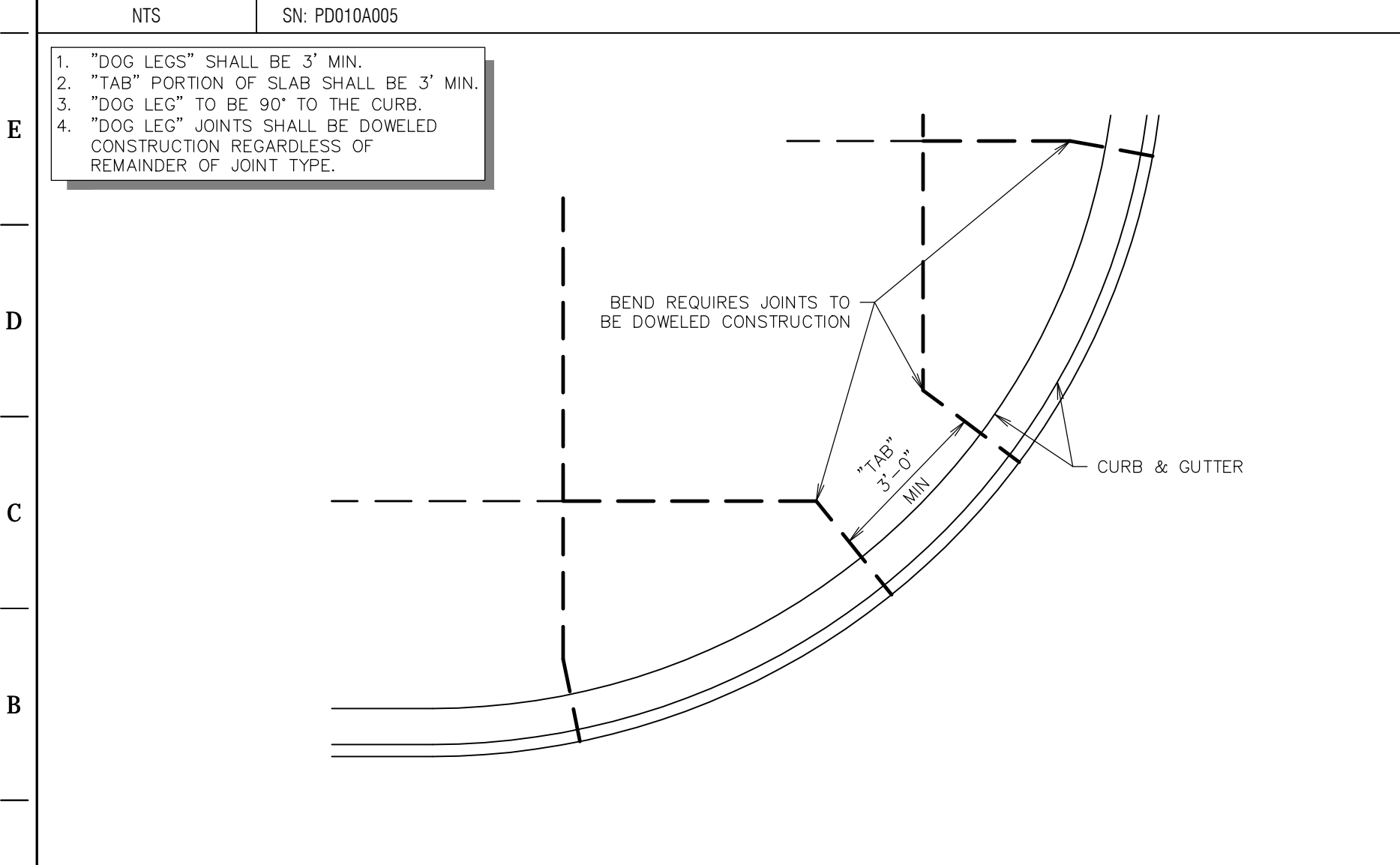
F1 CURB DETAIL - ROLLOVER / MOUNTABLE
 NTS SN: PD010A005



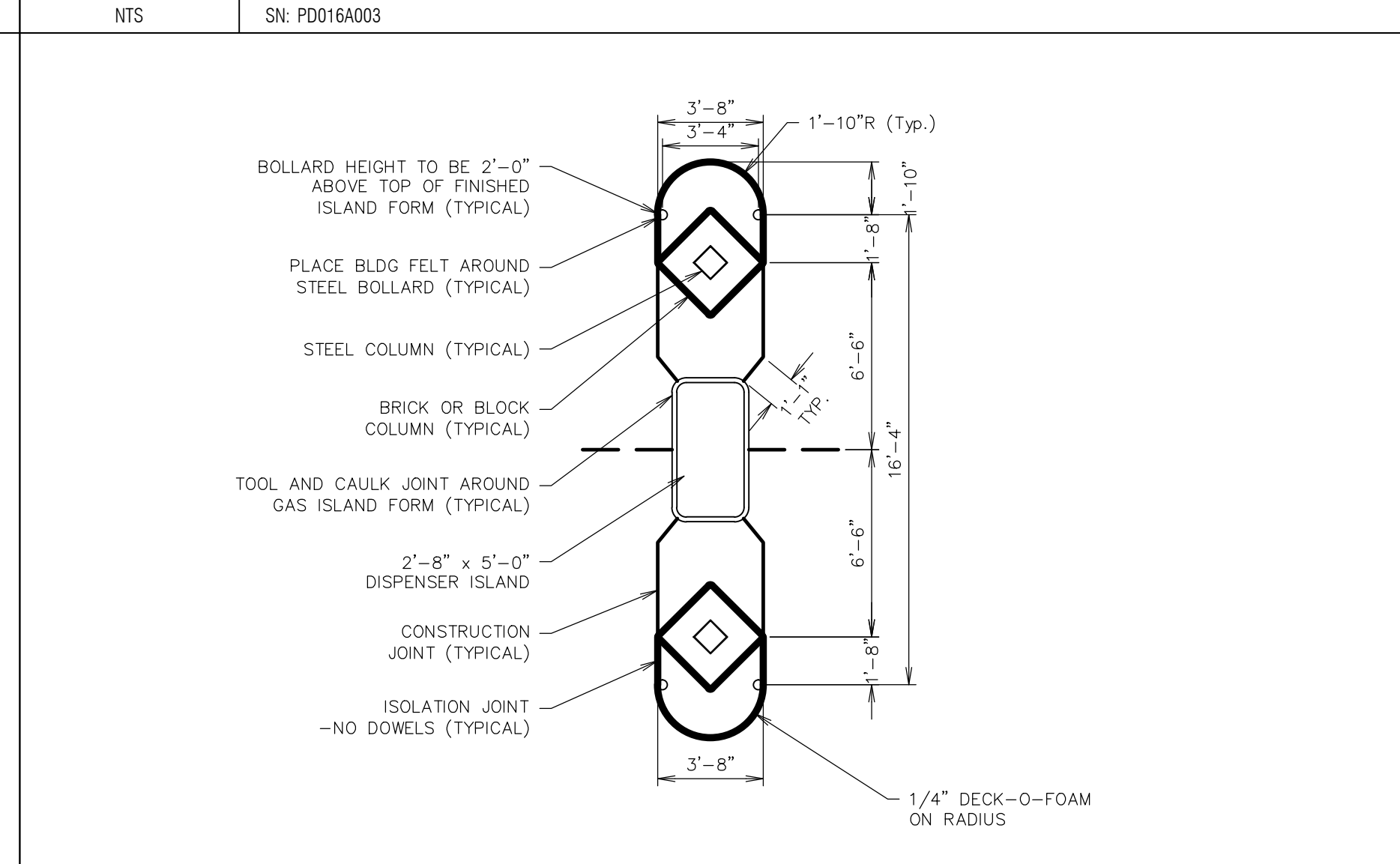
F6 RADIUS PROTECTOR PLAN
 NTS SN: PD016A003



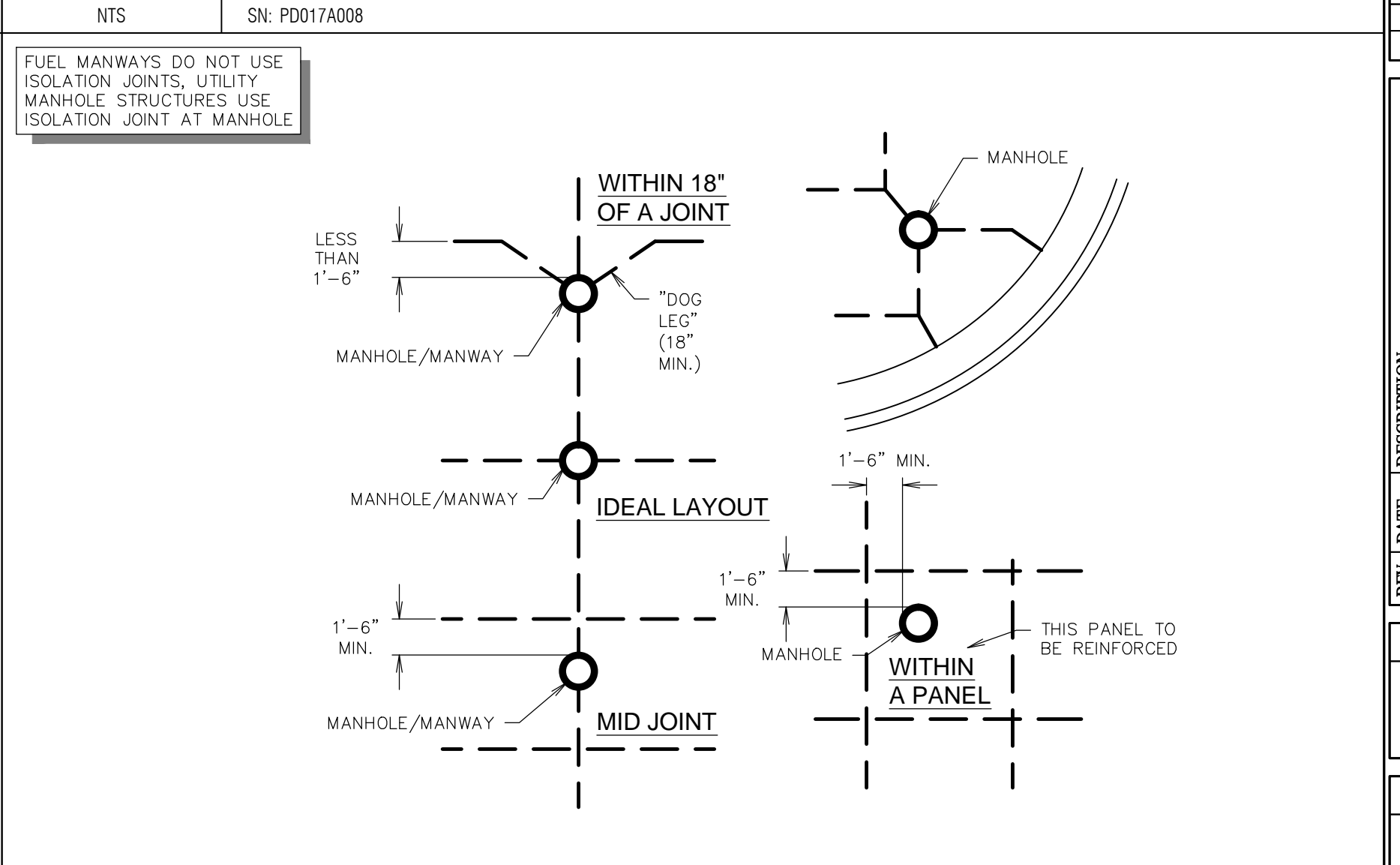
F11 STANDARD RADIUS PROTECTOR SECTION
 NTS SN: PD017A008



A1 TYPICAL JOINT LAYOUT - AT RADIUS AND ANGLES
 NTS SN: PD019A007



A6 GAS ISLAND JOINTING - (GEN III)
 NTS SN: PD020C006



A11 TYPICAL MANHOLE / FUEL MANWAY JOINT LAYOUTS
 NTS SN: PD021A003

PROFESSIONAL SEAL

MICHAEL J. VELLOFF
 NO. E-2000161862
 CIVIL ENGINEER

PROJECT NO.: 141029
 NAME: MICHAEL J. VELLOFF
 LICENSE NUMBER: E-2000161862
 DISCIPLINE: CIVIL
 CORPORATION AUTHORITY NUMBER: 00184

THE SEAL OF MICHAEL J. VELLOFF ON THIS DRAWING APPLIES ONLY TO THE CIVIL/SITE ENGINEERING SHOWN. IT DOES NOT APPLY, NOR IS ANY RESPONSIBILITY TAKEN FOR ENVIRONMENTAL, GEOTECHNICAL (INCLUDING BUT NOT LIMITED TO SLOPE STABILITY), STRUCTURAL, HVAC, PLUMBING, ELECTRICAL, FIRE PROTECTION, TRAFFIC ENGINEERING, SURVEYING (BOUNDARY AND TOPOGRAPHIC), OR ARCHITECTURAL (BUILDING OR LANDSCAPE).

QuikTrip No. 0643S

8601 Mexico Road
 O'Fallon, Missouri 63366

QT

ANY UNAUTHORIZED USE, REPRODUCTION, PUBLICATION, DISTRIBUTION, OR SALE IN WHOLE OR IN PART, IS STRICTLY FORBIDDEN.

PROTOTYPE: P-83
DIVISION: 06
VERSION: 001
DESIGNED BY: RKF
DRAWN BY: RKF
REVIEWED BY: MJV

REV	DATE	DESCRIPTION

SHEET TITLE:
PAVING DETAILS

SHEET NUMBER:
C521