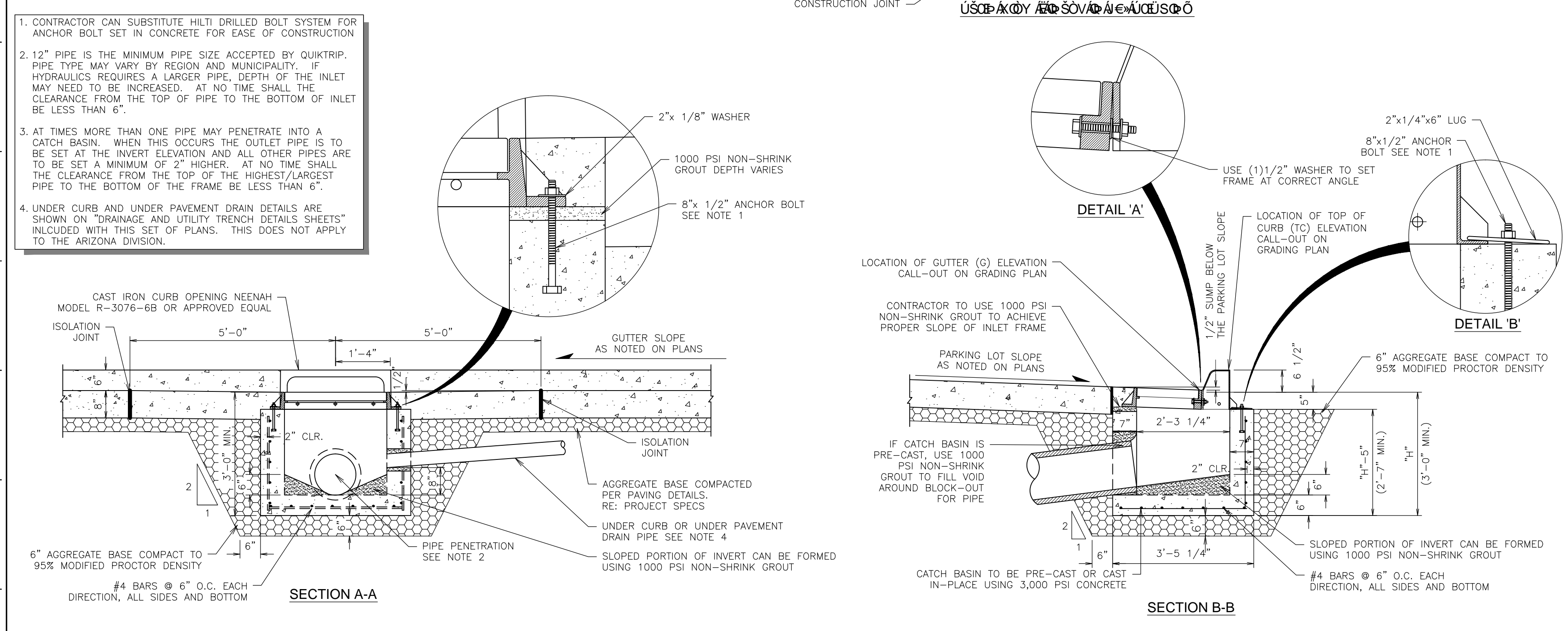
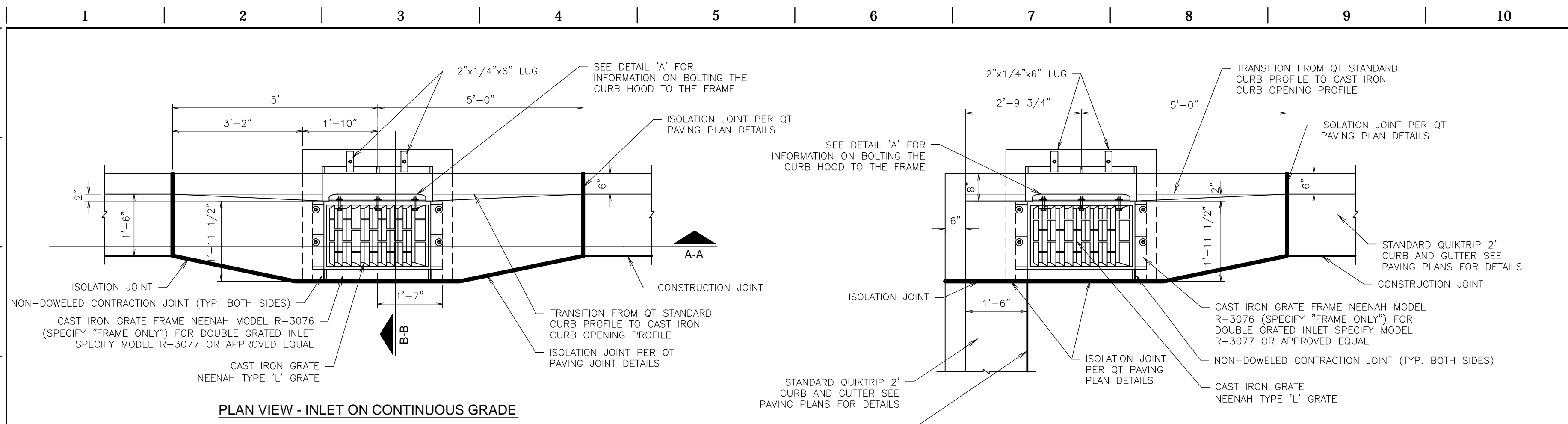
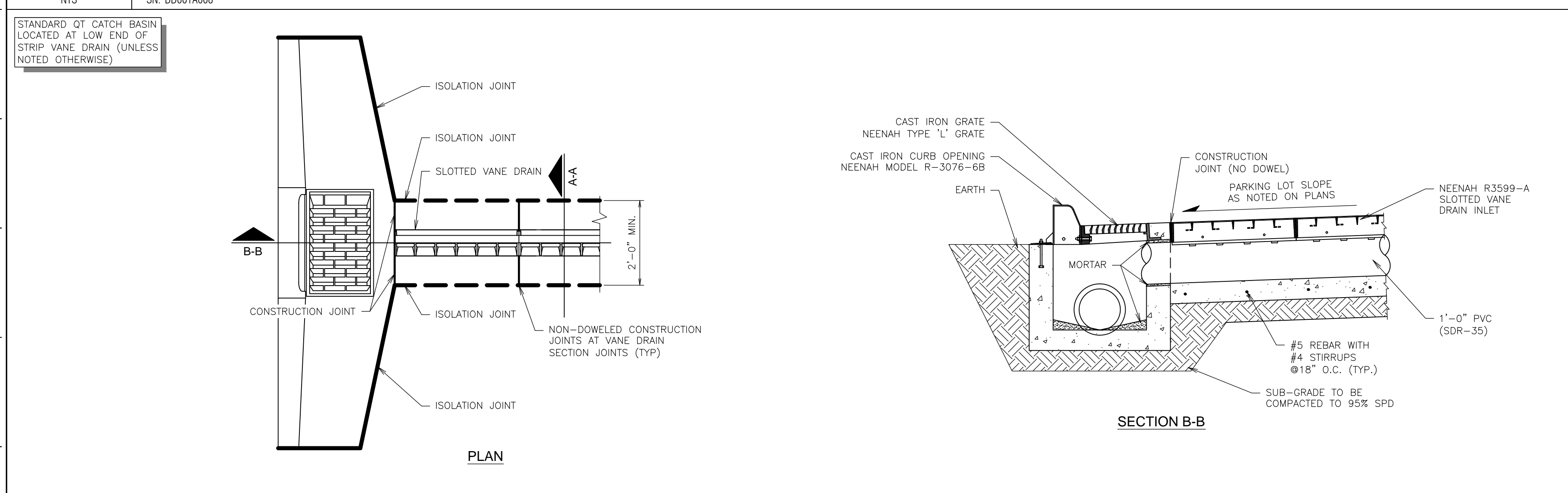


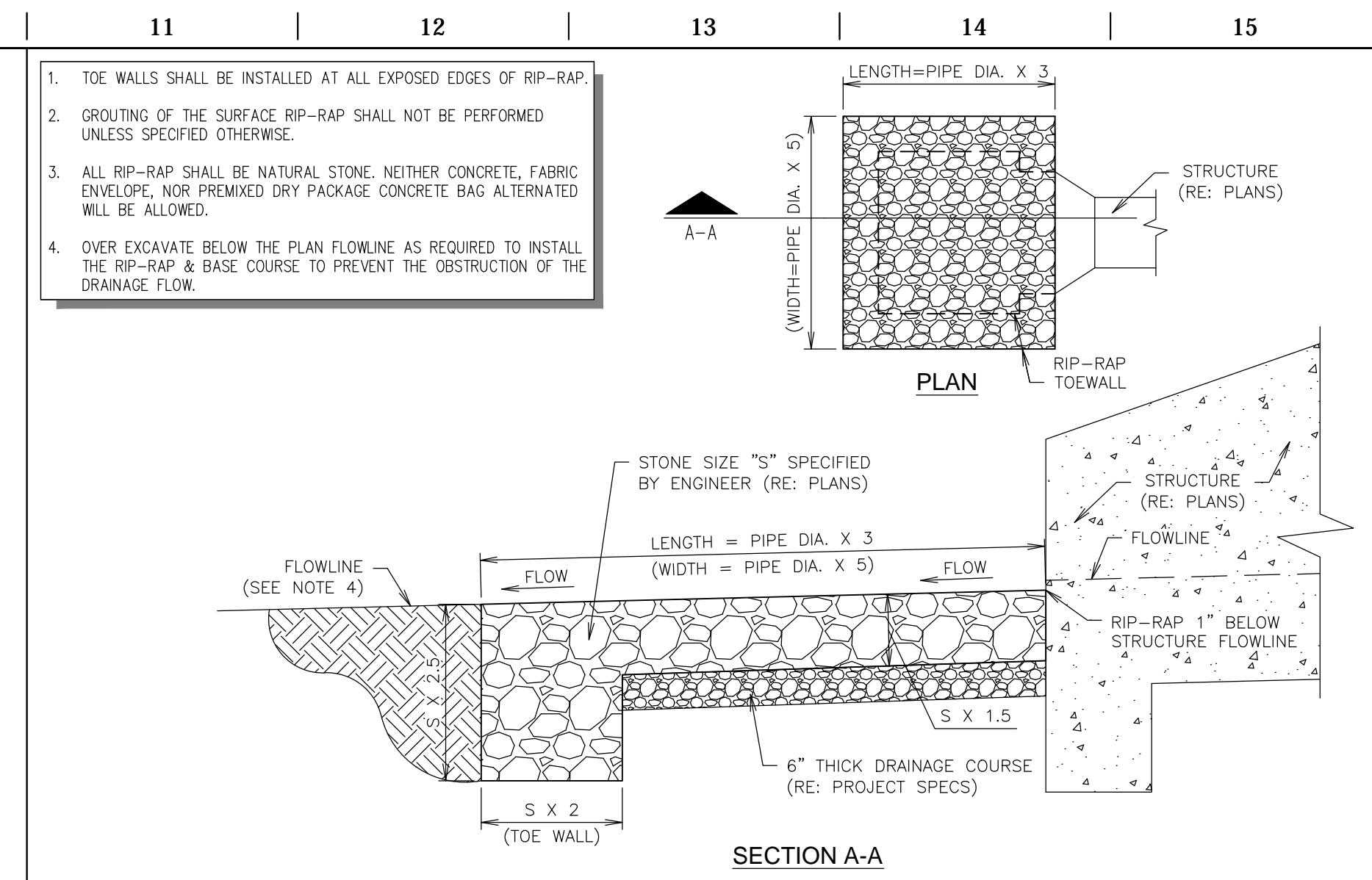
FILE LOCATION: K:\141029 - QuikTrip #0643 Mexico and Highway K\Civil\06-0643 DETAILS DRAINAGE.dwg
 TAB NAME: Drainage Detail Sheet 1
 USER: rkr/kyr
 SAVED: 10/14/2015 6:46 AM
 PLOTTED: 12/15/2015 5:07 AM



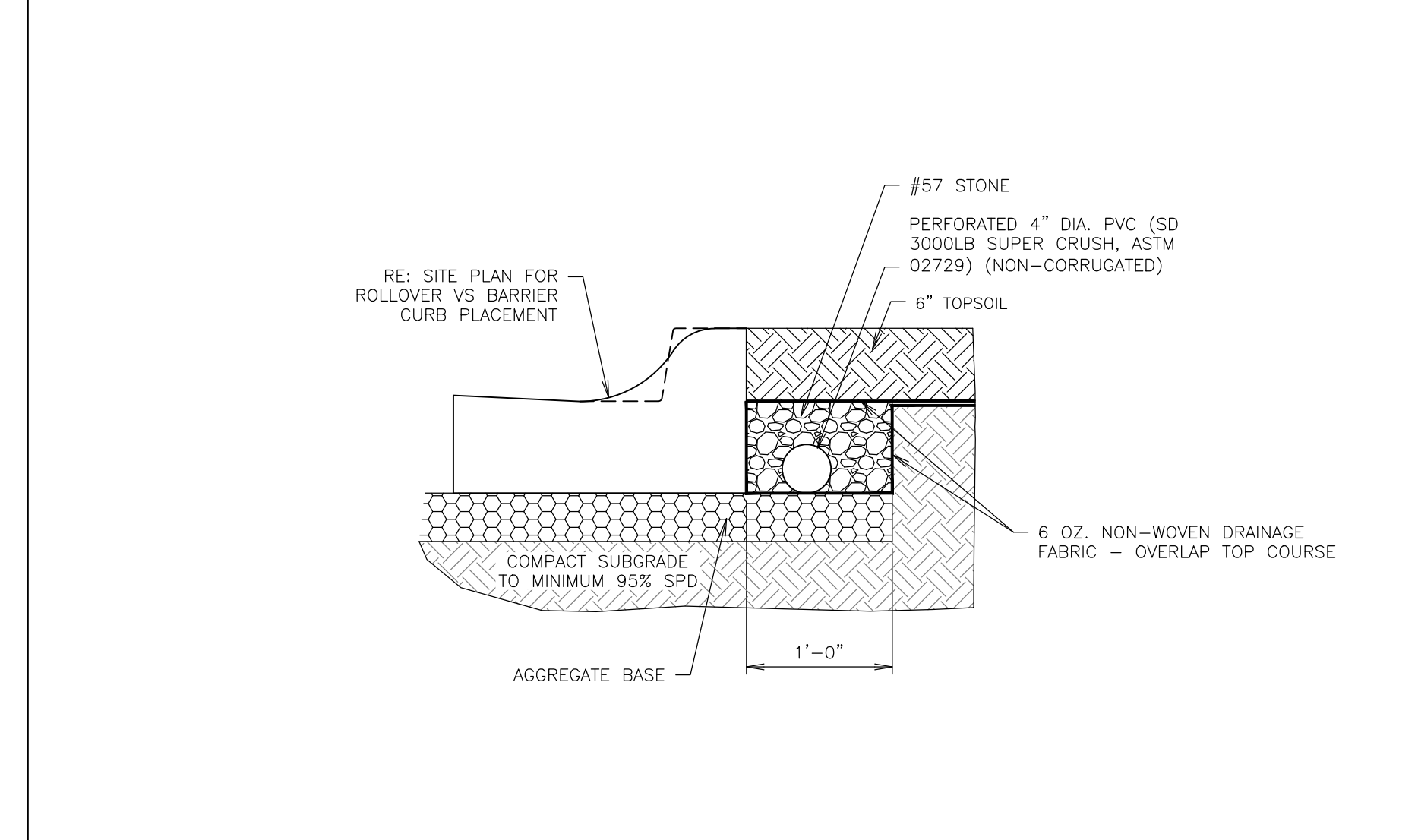
F1 CATCH BASIN INLET DETAIL (SINGLE)
 NTS SN: DD001A008



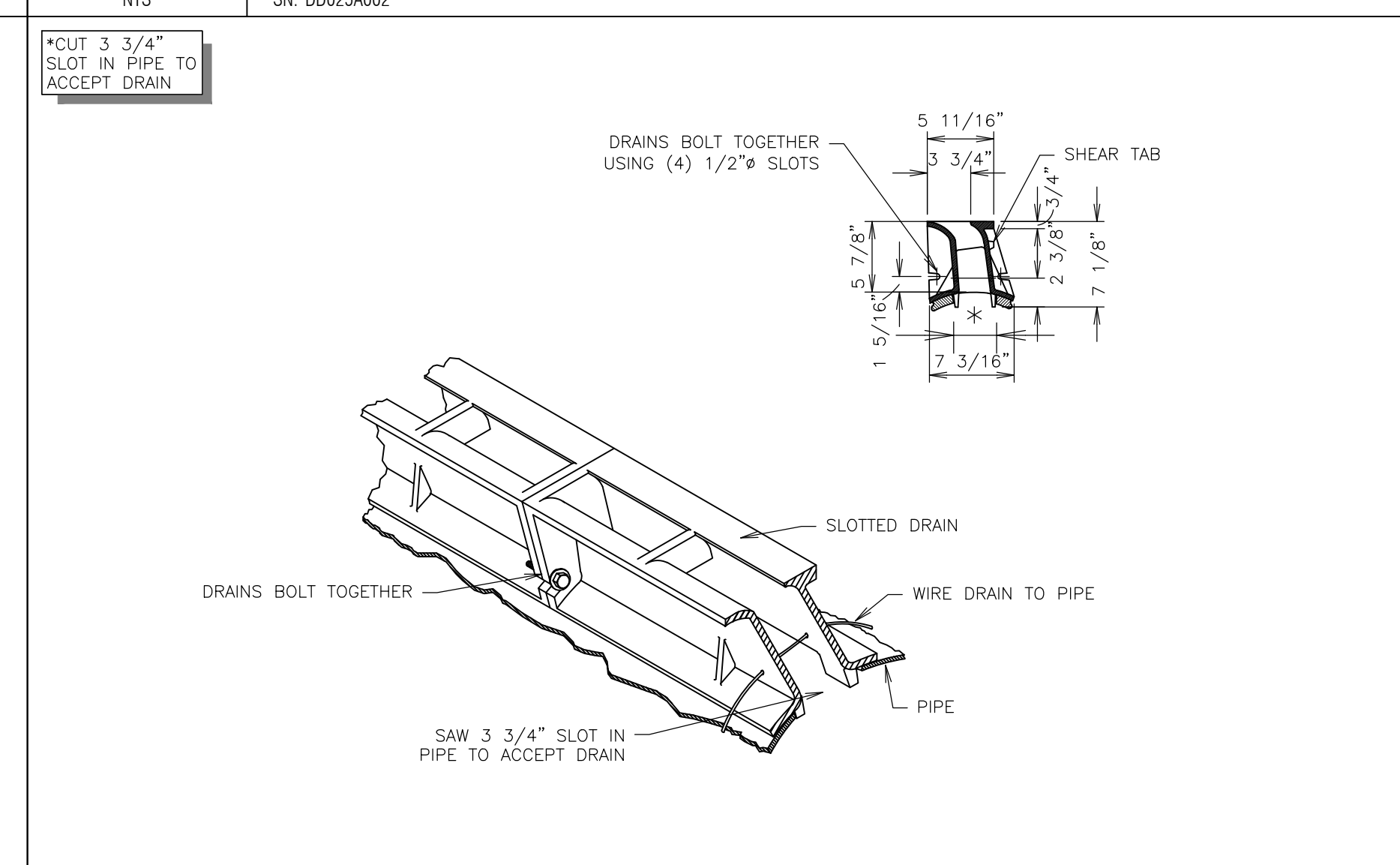
A1 SLOTTED VANE DRAIN INSTALLATION @ CATCH BASIN DETAIL
 NTS SN: DD004A004



L11 RIP-RAP PLACEMENT DETAIL
 NTS SN: DD023A001



F11 BACK OF CURB DRAIN SECTION
 NTS SN: DD025A002



A11 SLOTTED VANE DRAIN (ISOMETRIC VIEW)
 NTS SN: DD007A003

PROFESSIONAL SEAL
 MICHAEL J. VELLOFF
 NO. E-2000161862
 CIVIL ENGINEER

PROJECT NO.: 141029
 NAME: MICHAEL J. VELLOFF
 LICENSE NUMBER: E-2000161862
 DISCIPLINE: CIVIL
 CORPORATION AUTHORITY NUMBER: 00184

THE SEAL OF MICHAEL J. VELLOFF ON THIS DRAWING APPLIES ONLY TO THE CIVIL/SITE ENGINEERING SHOWN. IT DOES NOT APPLY, NOR IS ANY RESPONSIBILITY TAKEN FOR ENVIRONMENTAL, GEOTECHNICAL (INCLUDING BUT NOT LIMITED TO SLOPE STABILITY), STRUCTURAL, HVAC, PLUMBING, ELECTRICAL, FIRE PROTECTION, TRAFFIC ENGINEERING, SURVEYING (BOUNDARY AND TOPOGRAPHIC), OR ARCHITECTURAL (BUILDING OR LANDSCAPE).

QuikTrip No. 0643S
 8601 Mexico Road
 O'Fallon, Missouri 63366

QT

Y: 7/20/04 - 11/13/07 - 07/20/08 - 08/06/09
 ANY UNAUTHORIZED USE, REPRODUCTION, PUBLICATION, DISTRIBUTION, OR SALE IN WHOLE OR IN PART, IS STRICTLY FORBIDDEN.

PROTOTYPE: P-83
DIVISION: 06
VERSION: 001
DESIGNED BY: RKF
DRAWN BY: RKF
REVIEWED BY: MJV

REV	DATE

ORIGINAL ISSUE DATE: 07-24-15

SHEET TITLE:
DRAINAGE DETAILS

SHEET NUMBER:
C540