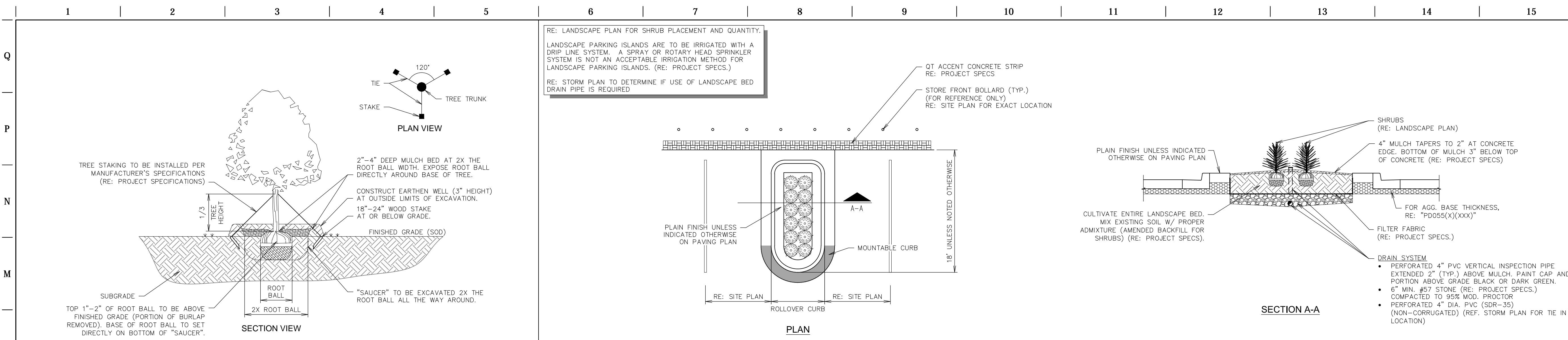
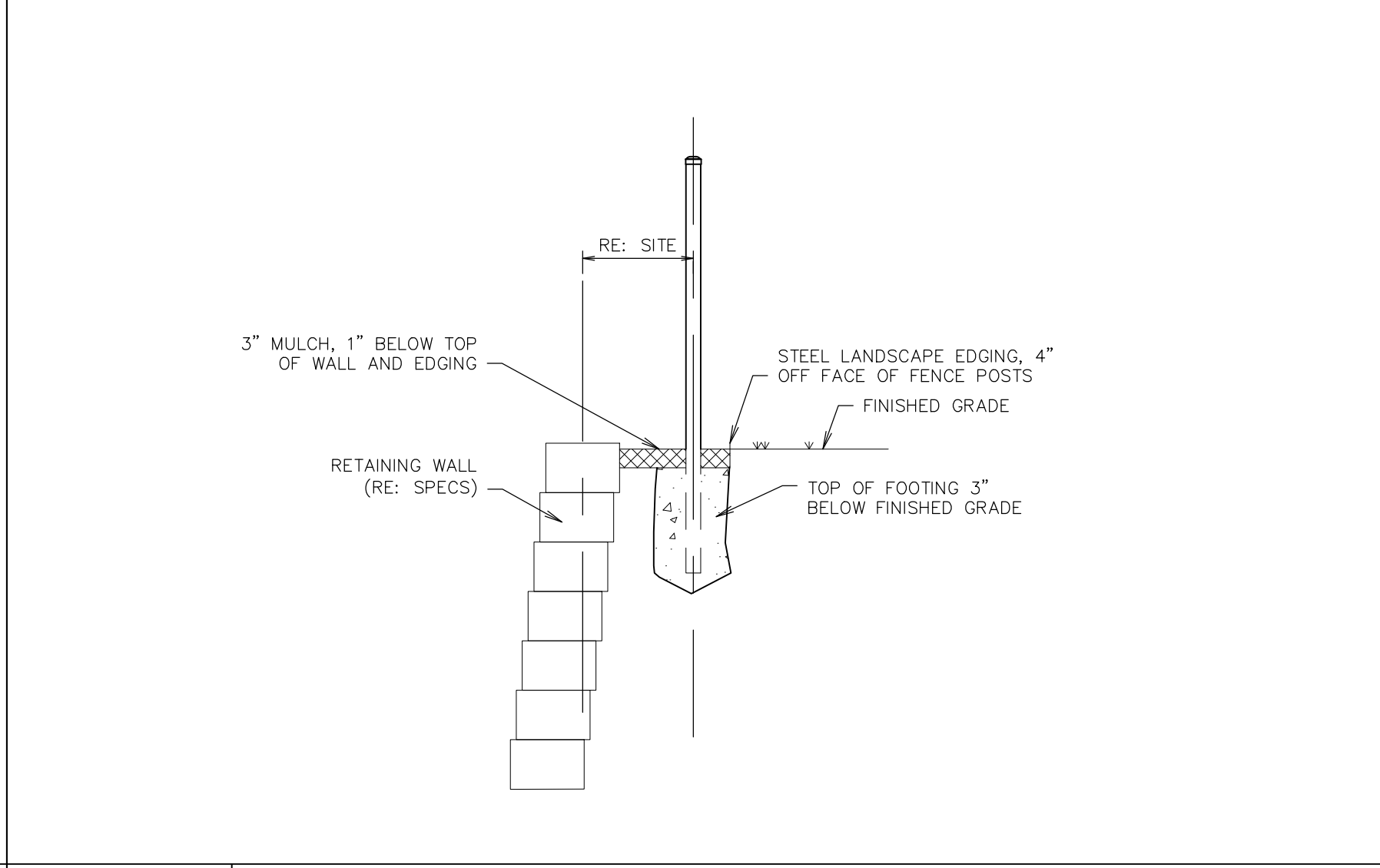
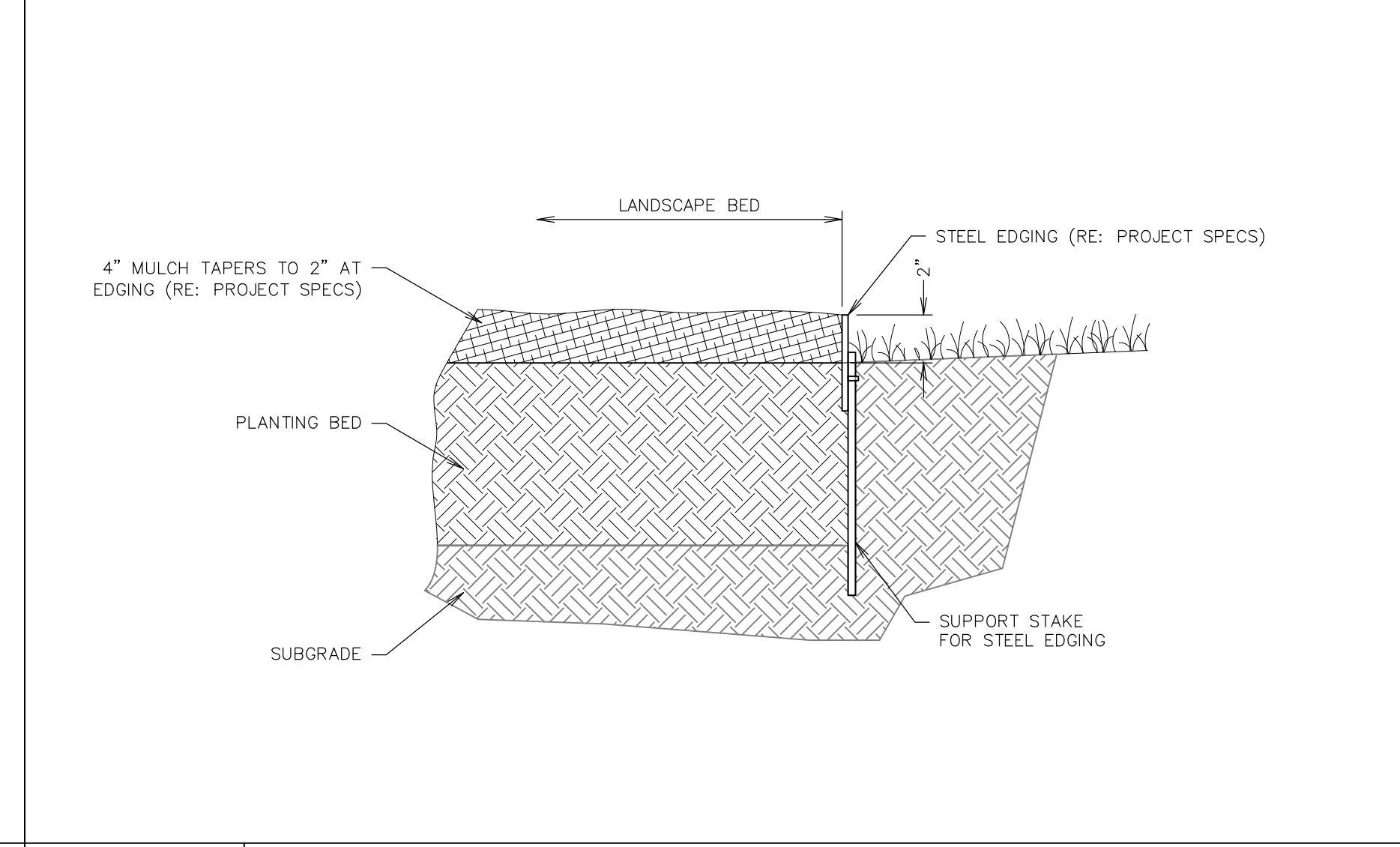
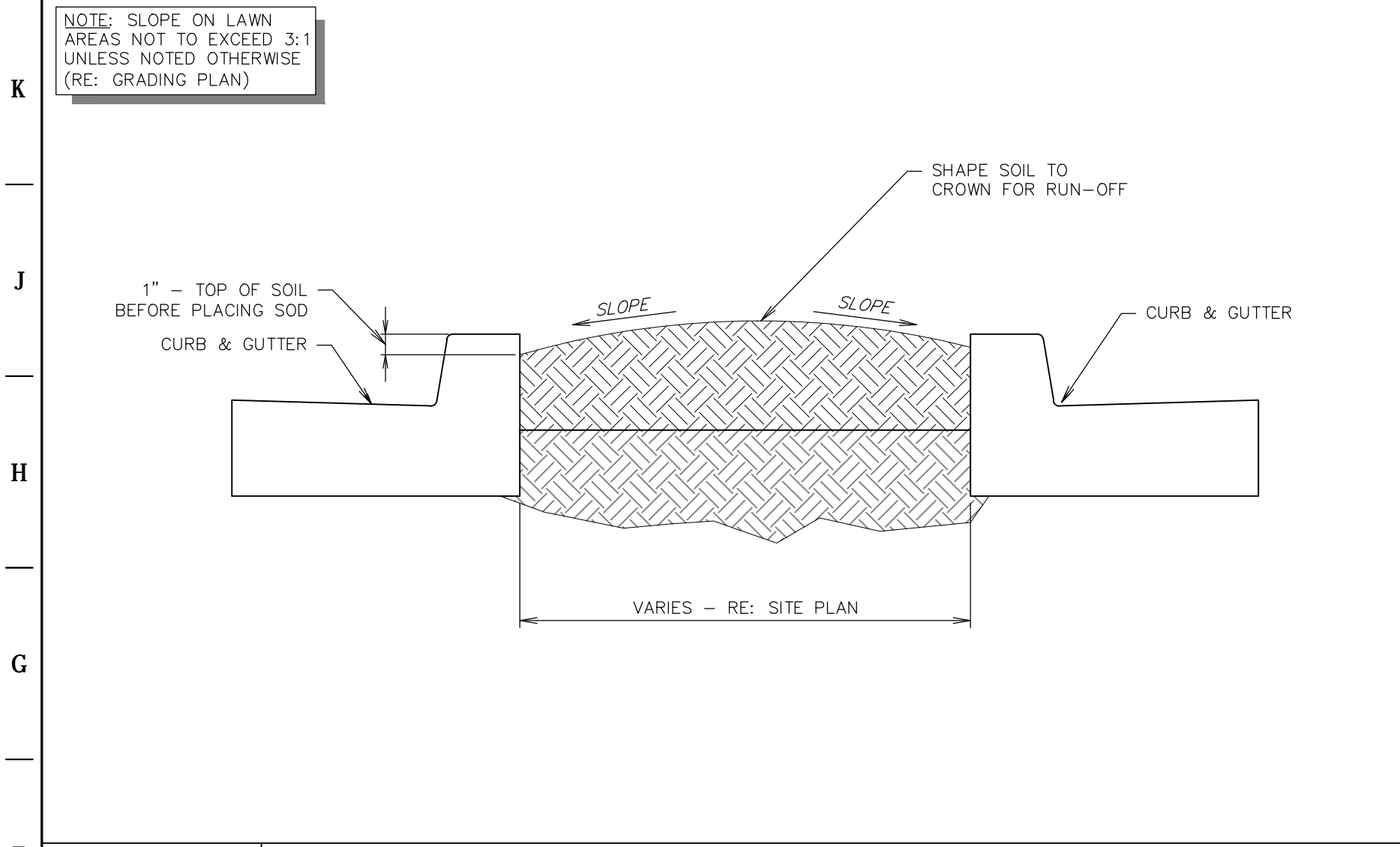


FILE LOCATION: K:\141029 - QuikTrip #0643 Mexico and Highway K:\Civil\06-0643 DETAILS LS.dwg TAB NAME: LS Detail Sheet 1 USER: rkyrwer SAVED: 10/14/2015 6:48 AM PLOTTED: 12/16/2015 8:11 AM



L1 TREE PLANTING DETAIL
 NTS SN: LD008A003

L6 PARKING ISLAND W/ SHRUBS LANDSCAPE DETAIL (W/ RADIUS PROTECTOR)
 NTS SN: LD009A010



F1 TYPICAL LAWN SECTION
 NTS SN: LD007A002

F6 LANDSCAPE STEEL EDGING DETAIL
 NTS SN: LD006A004

F11 LS EDGING ADJACENT TO WALL GUARDRAIL DETAIL
 NTS SN: LD024A001

A1 NOT USED
 NTS SN:

A6 NOT USED
 NTS SN:

A11 NOT USED
 NTS SN:

STATE OF MISSOURI
REGISTERED PROFESSIONAL ENGINEER
MICHAEL JAMES VELLOFF
 NO. E-2000161862

PROJECT NO: 141029
 NAME: MICHAEL J. VELLOFF
 LICENSE NUMBER: E-2000161862
 DISCIPLINE: CIVIL
 CORPORATION AUTHORITY NUMBER: 001194

THE SEAL OF MICHAEL J. VELLOFF ON THIS DRAWING APPLIES ONLY TO THE CIVIL/SITE ENGINEERING SHOWN. IT DOES NOT APPLY, NOR IS ANY RESPONSIBILITY TAKEN FOR ENVIRONMENTAL, GEOTECHNICAL (INCLUDING BUT NOT LIMITED TO SLOPE STABILITY), STRUCTURAL, HVAC, PLUMBING, ELECTRICAL, FIRE PROTECTION, TRAFFIC ENGINEERING, SURVEYING (BOUNDARY AND TOPOGRAPHIC), OR ARCHITECTURAL (BUILDING OR LANDSCAPE).

QuikTrip No. 0643S
 8601 Mexico Road
 O'Fallon, Missouri 63366

QT

PROTOTYPE: P-83
 DIVISION: 06
 VERSION: 001
 DESIGNED BY: RNF
 DRAWN BY: RNF
 REVIEWED BY: MJV

REV	DATE	DESCRIPTION
1	12-21-15	CONSTRUCTION SET

SHEET TITLE:
 LANDSCAPE DETAILS

SHEET NUMBER:
L500

ORIGINAL ISSUE DATE: 07-24-15