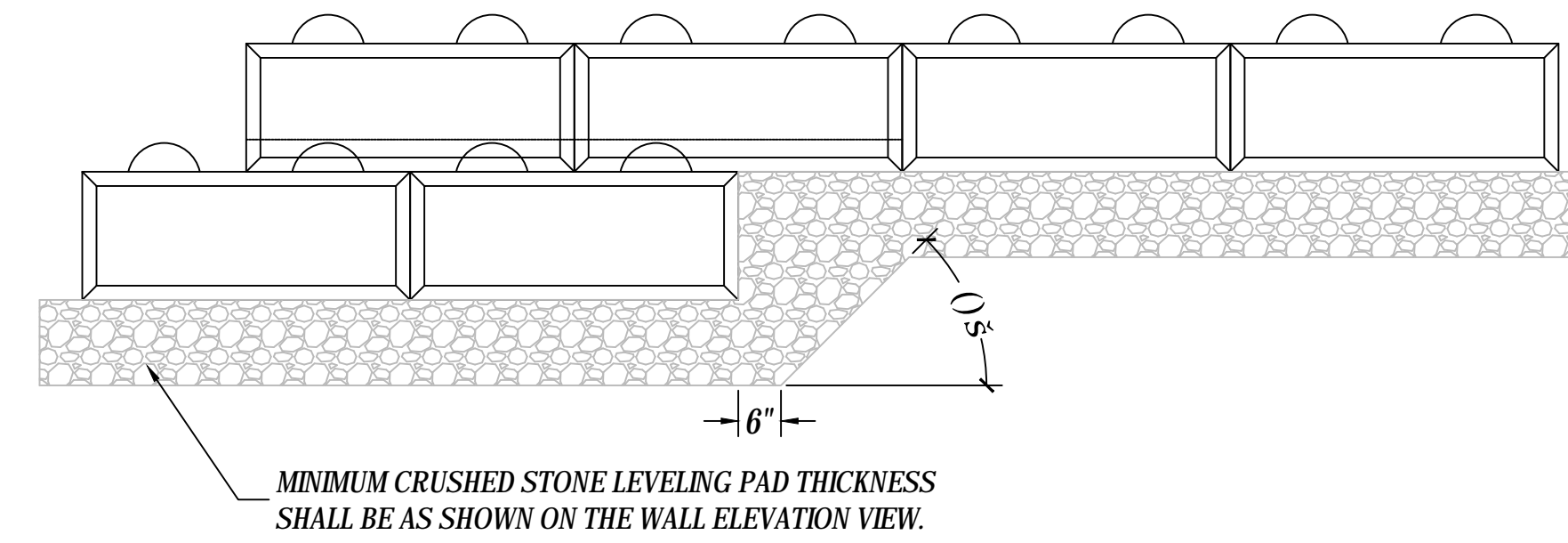
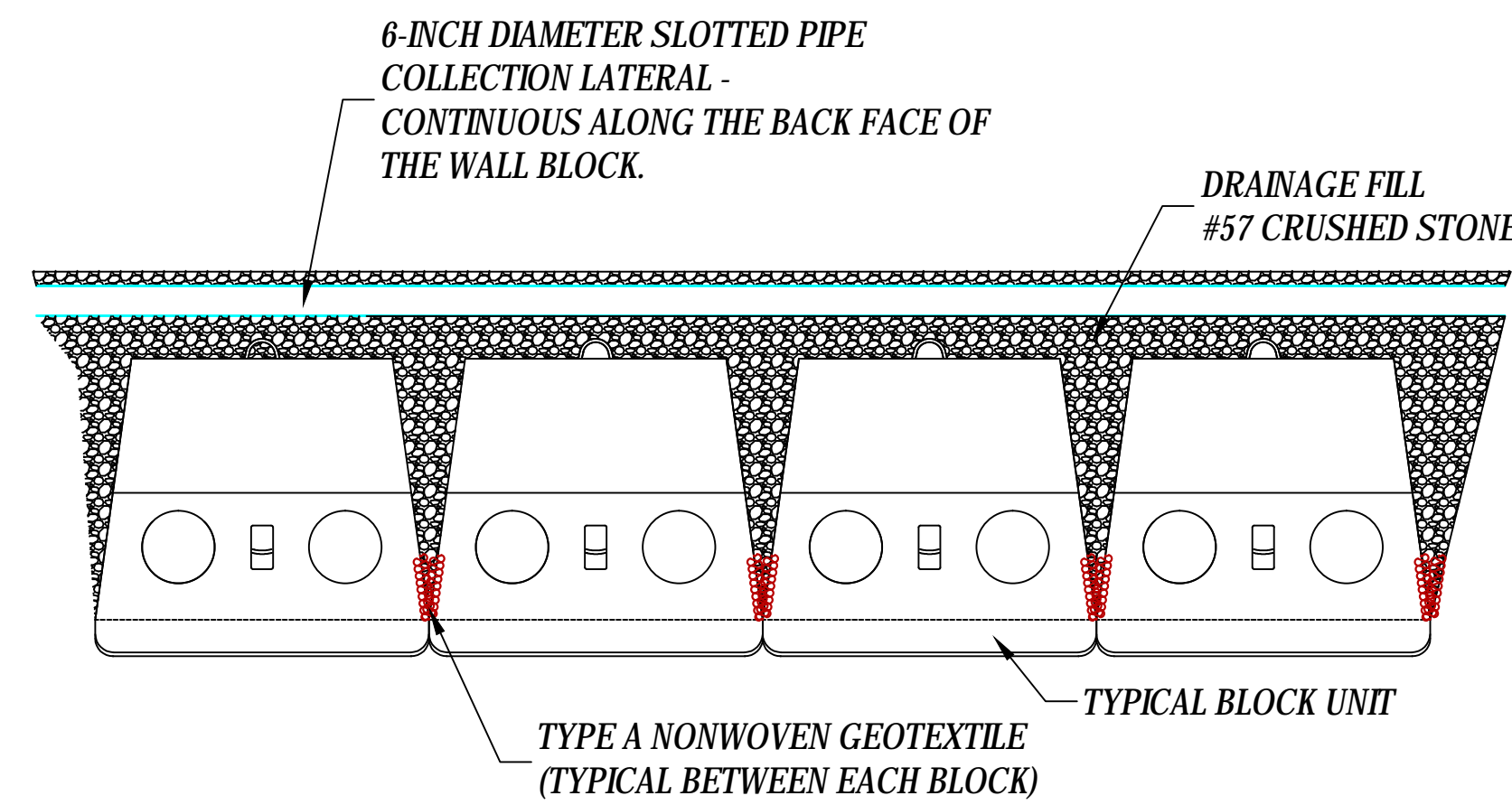


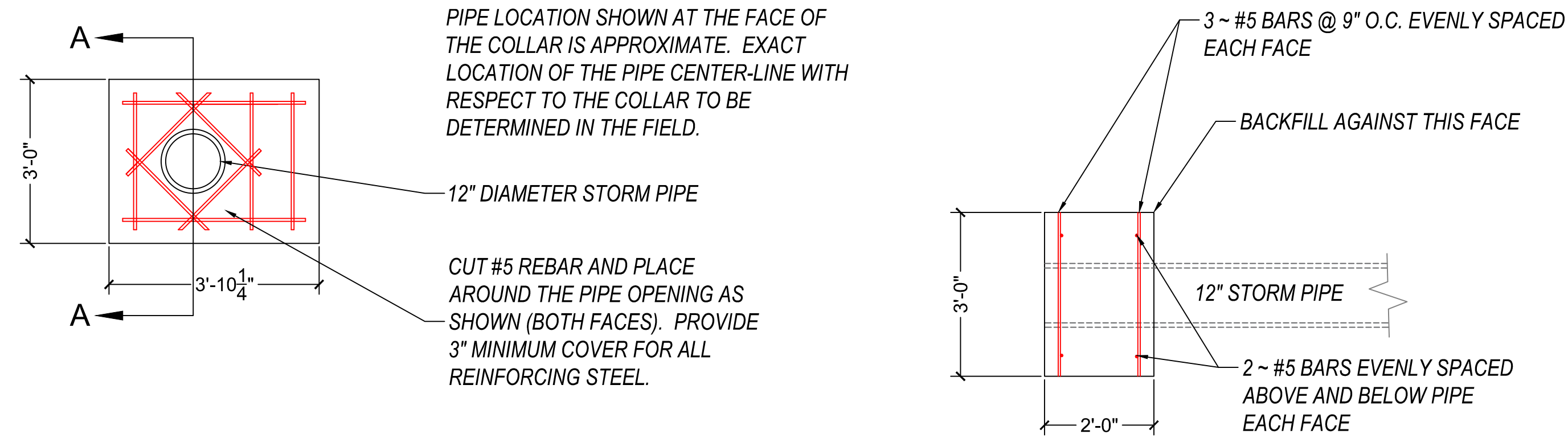
11 GRADING DETAIL
SCALE: NONE



14 LEVELING PAD STEP DETAIL
SCALE: NONE



15 COLLECTION DRAIN DETAIL
SCALE: NONE



PIPE LOCATION SHOWN AT THE FACE OF THE COLLAR IS APPROXIMATE. EXACT LOCATION OF THE PIPE CENTER-LINE WITH RESPECT TO THE COLLAR TO BE DETERMINED IN THE FIELD.

12" DIAMETER STORM PIPE

CUT #5 REBAR AND PLACE AROUND THE PIPE OPENING AS SHOWN (BOTH FACES). PROVIDE 3" MINIMUM COVER FOR ALL REINFORCING STEEL.

3 ~ #5 BARS @ 9" O.C. EVENLY SPACED EACH FACE

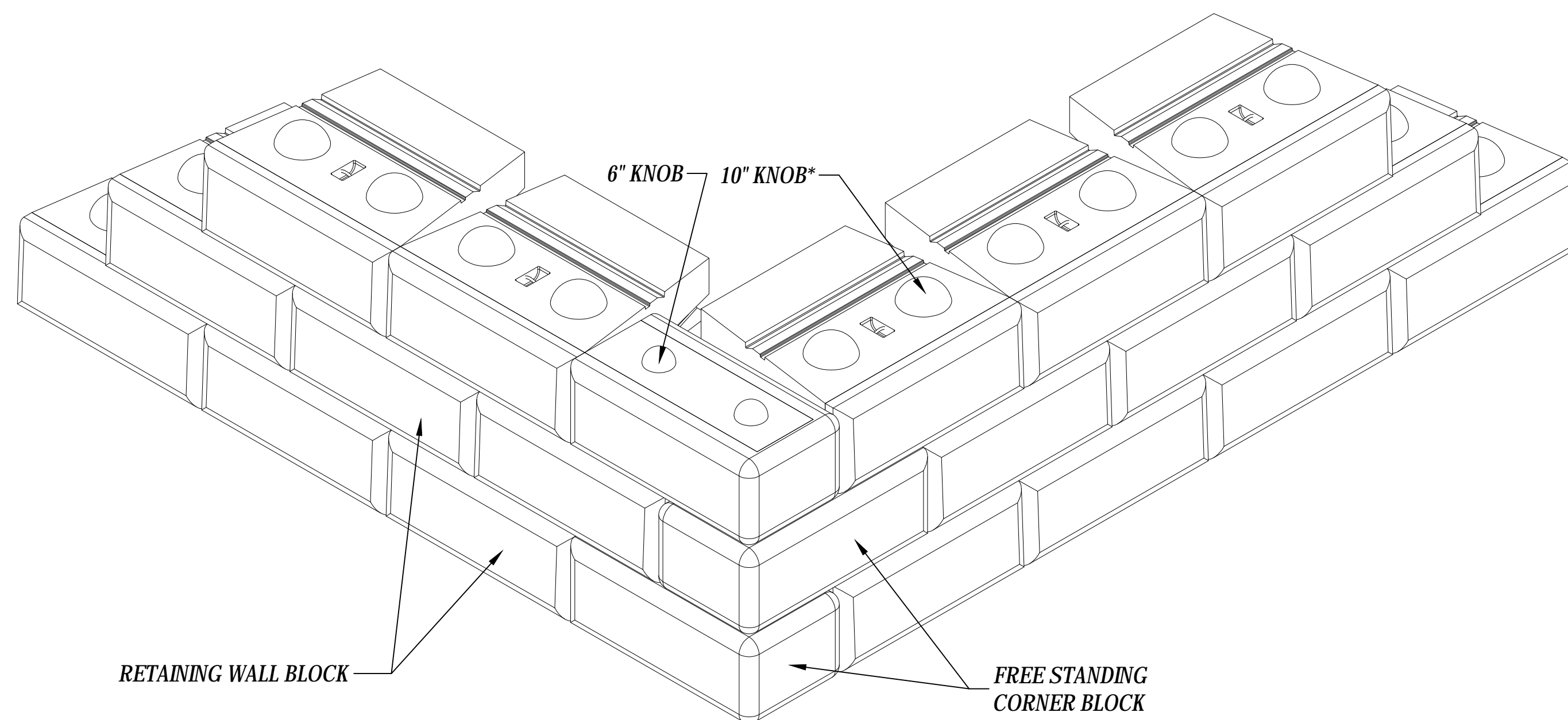
BACKFILL AGAINST THIS FACE

12" STORM PIPE
2 ~ #5 BARS EVENLY SPACED ABOVE AND BELOW PIPE EACH FACE

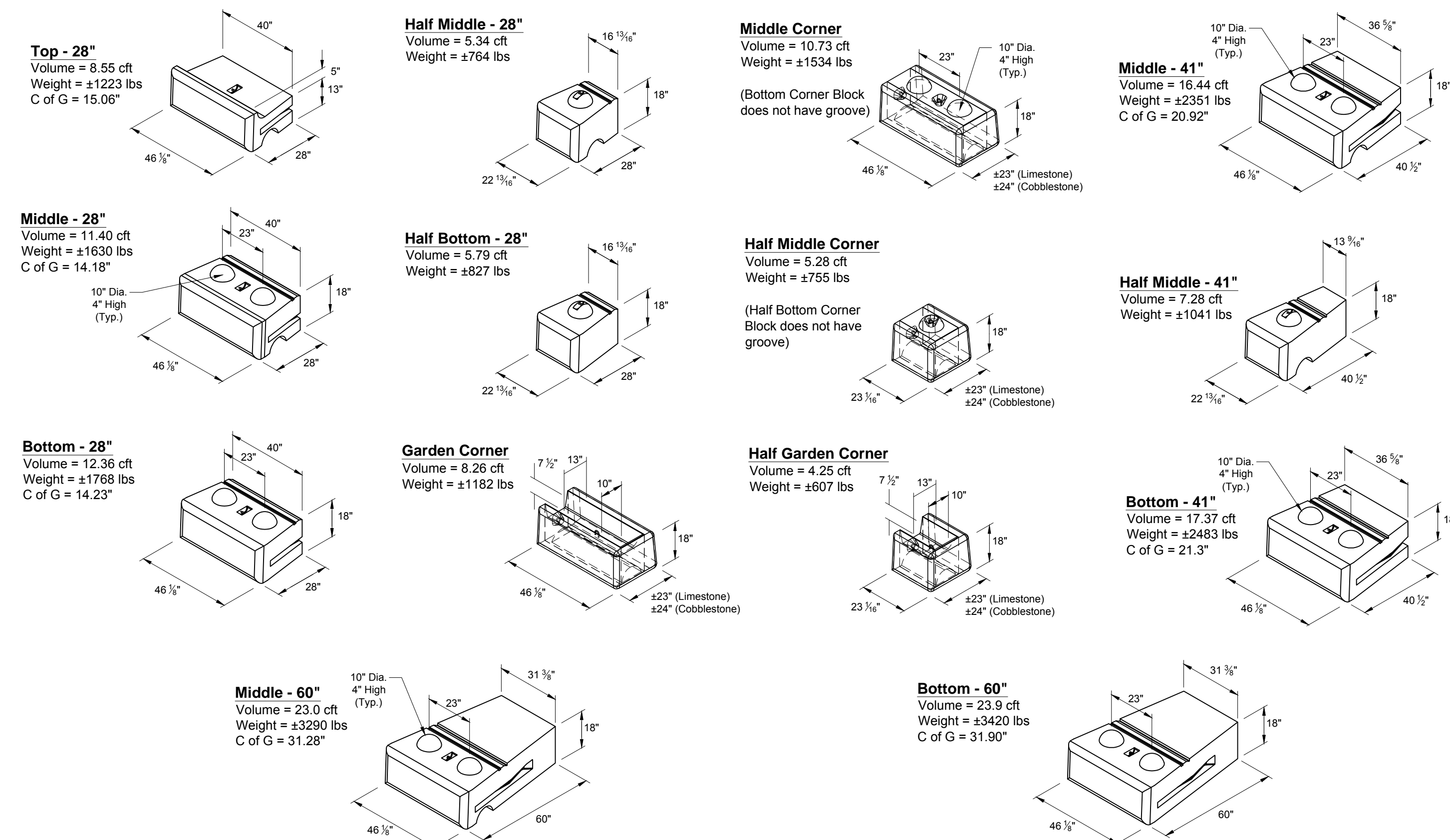
PROFILE VIEW

SECTION A-A

12 CONCRETE COLLAR DETAIL
SCALE: NONE

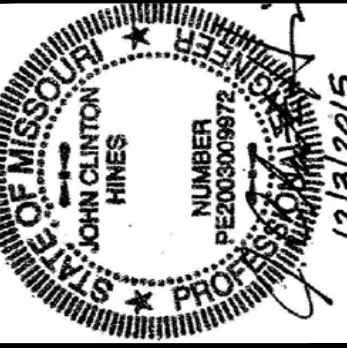


13 OUTSIDE CORNER DETAIL
SCALE: NONE



16 REDI-ROCK STANDARD BLOCK DETAILS
SCALE: NONE

REVISION



John Clinton Hines, P.E.
geotechnical design
4030 Mt. Carmel, Kansas, Beat 4, Suite 319 • Cincinnati, OH 45225
p 513.843.6370 • www.jchines.com

SHREITER READY MIX & MATERIALS
200 S COOL SPRINGS ROAD
O' FALLON, MO 63366
P: (636)-240-2600

DETAILS
Retaining Wall Construction Plans For
QUIKTRIP NO. 0643S
8601 MEXICO ROAD
O'FALLON, MISSOURI

Designed By: **S.N.R.**
Checked By: **J.C.H.**
Project No.: **15137**
Date: **12/03/15**
Scale: **As Shown**

RW 6.01