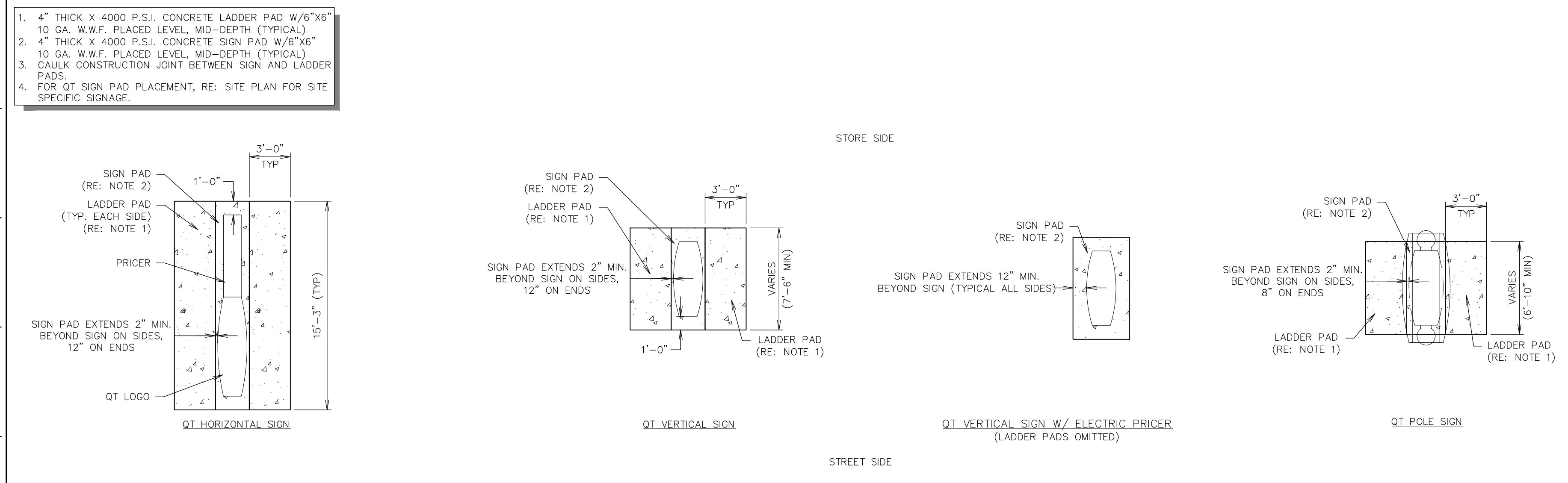
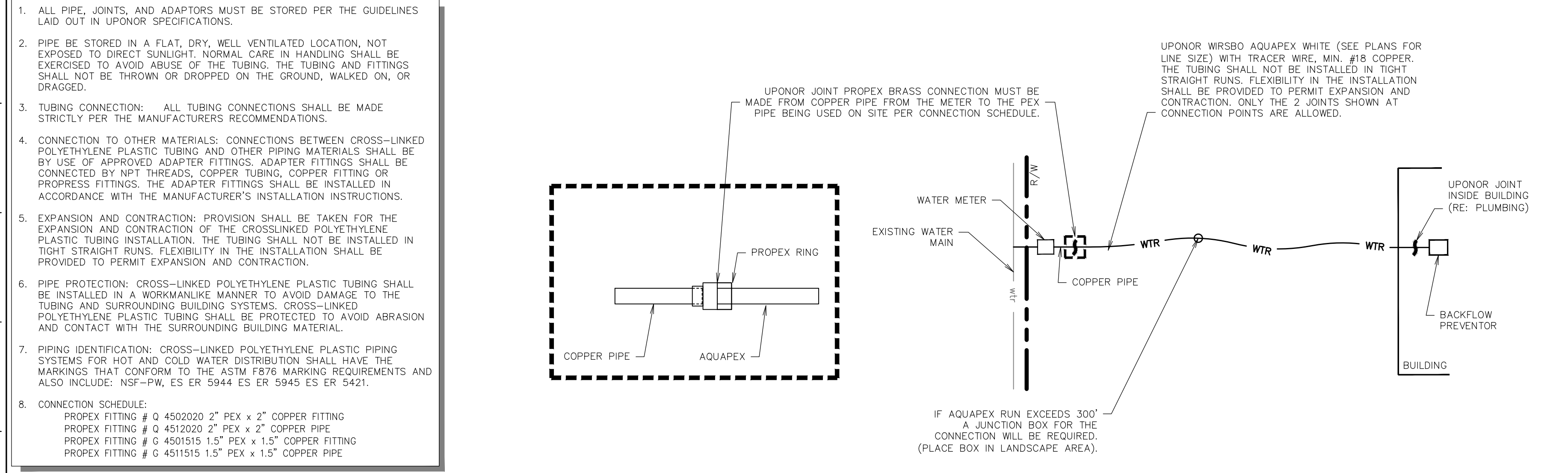


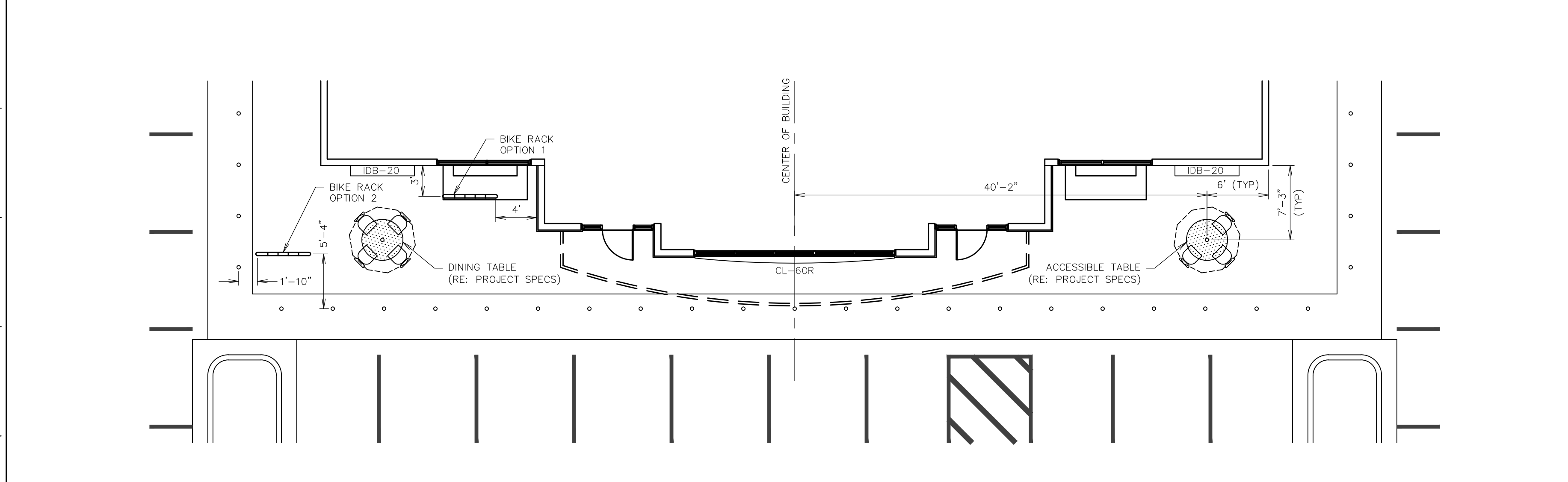
FILE LOCATION: K:\161105 - QuikTrip #62 - Bryan Road and Veterans Memorial Parkway\Civil\06-062 DETAILS MISC. SITE.dwg
 TAB NAME: SITE DETAIL SHEET 1
 USER: rkrkyer
 SAVED: 06/11/2018 6:19 AM
 PLOTTED: 06/12/2018 12:29 PM



L1 GEN III SIGN PAD DETAIL
 NTS SN: SD015A004



F1 PEX DETAIL - WATER METER @ STREET, BFP IN BUILDING
 NTS SN: SD0238002



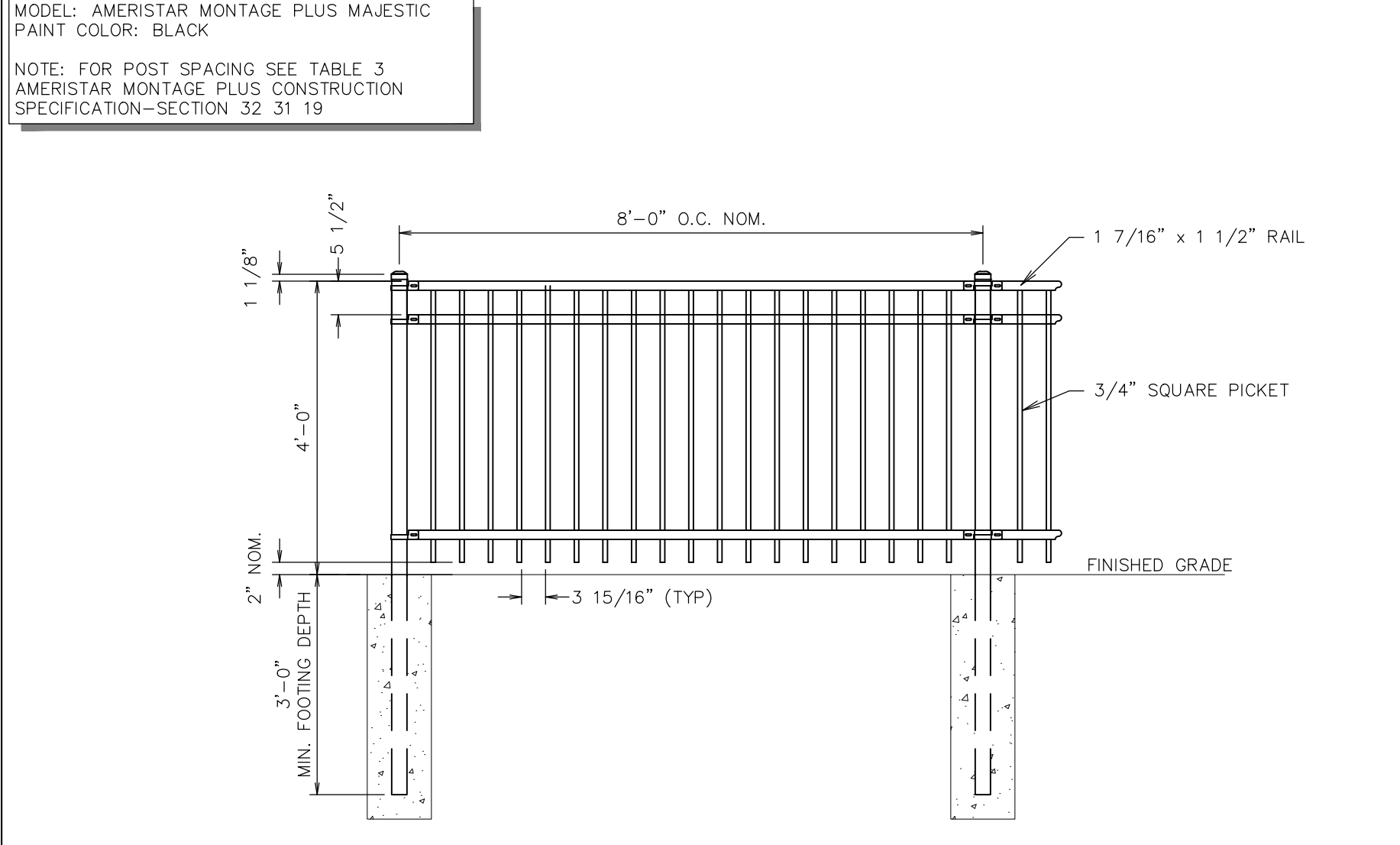
A1 OUTSIDE TABLE PLACEMENT
 NTS SN: SD024D002

U/2 RACKS™ Class III - Short Term Security

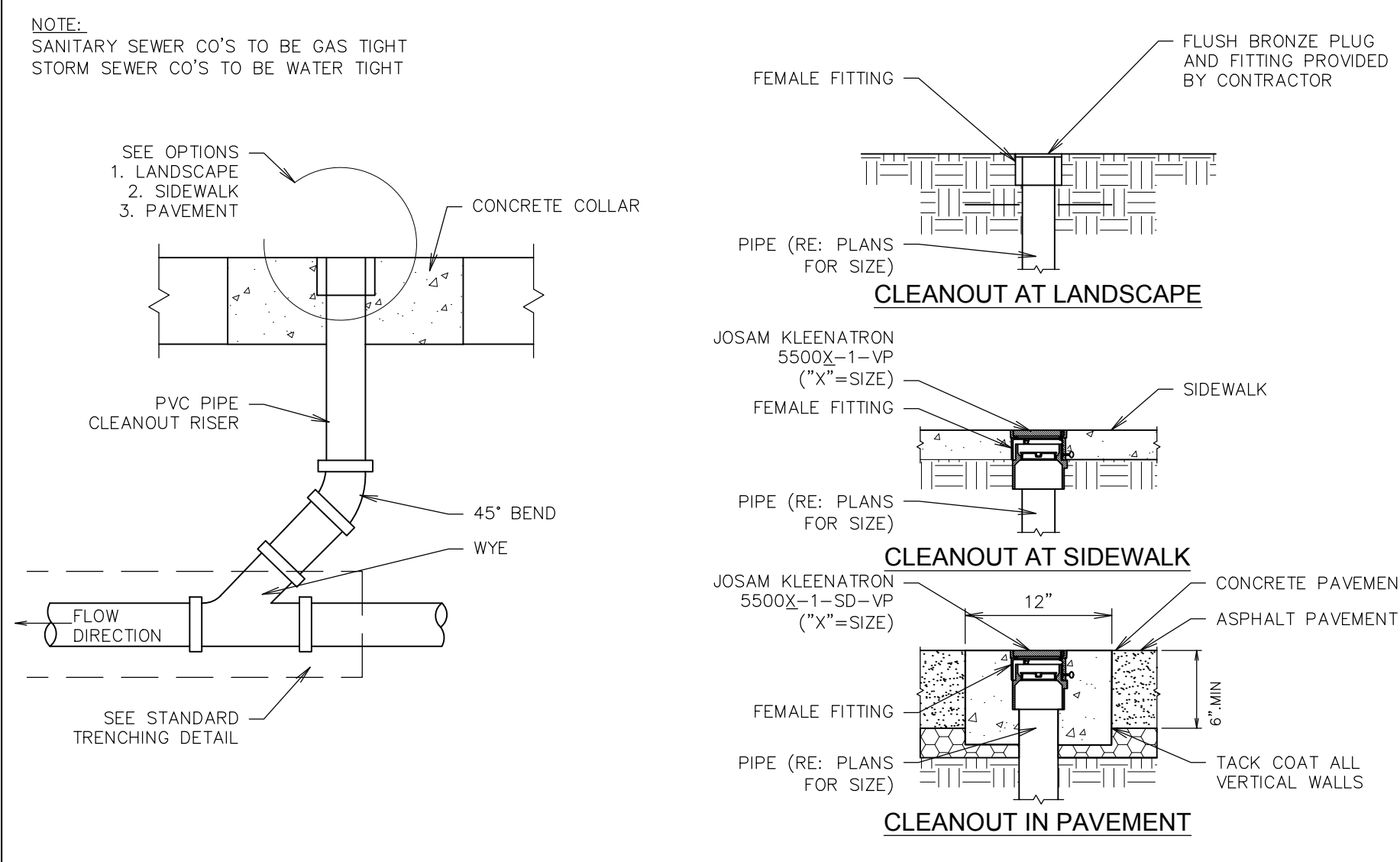
CycleSafe inverted U/2 bicycle racks provide leading edge coating technology and offer the best solution for short term bicycle parking to accommodate two bikes per rack. The one-bend 2" dia. round steel pipe rack is coated with a 1/8" thick, black plastisol rubberized coating. This classic rack is widely regarded as the standard for space efficiency and bicycle protection to maintain stability and improve pedestrian access, recommended with a crossbar for additional security.

Refer to standard powder coat colors or custom colors upon request.

L11 BIKE RACK DETAIL
 NTS SN: SD022A005



F11 4' AMERISTAR STEEL FENCE
 NTS SN: SD010A008



A11 CLEANOUT SECTION DETAIL (ASPHALT)
 NTS SN: SD016A007

PROJECT NO.: 161105
 NAME: MICHAEL J. VELLOFF
 LICENSE NUMBER: E-2000161862
 DISCIPLINE: CIVIL
 CORPORATION AUTHORITY NUMBER: 001194

THE SEAL OF MICHAEL J. VELLOFF ON THIS DRAWING APPLIES ONLY TO THE CIVIL/SITE ENGINEERING SHOWN. IT DOES NOT APPLY, NOR IS ANY RESPONSIBILITY TAKEN FOR ENVIRONMENTAL, GEOTECHNICAL (INCLUDING BUT NOT LIMITED TO SLOPE STABILITY), STRUCTURAL, HVAC, PLUMBING, ELECTRICAL, FIRE PROTECTION, TRAFFIC ENGINEERING, SURVEYING (BOUNDARY AND TOPOGRAPHIC), OR ARCHITECTURAL (BUILDING OR LANDSCAPE).

QuikTrip No. 0662
 955 BRYAN ROAD
 OFALLAN, MO 63366

© COPYRIGHT QUIKTRIP CORPORATION 2011
 ANY UNAUTHORIZED USE, REPRODUCTION, PUBLICATION, DISTRIBUTION, OR SALE IN WHOLE OR IN PART, IS STRICTLY FORBIDDEN.

PROTOTYPE: P-94-01
DIVISION: 06
VERSION: 001
DESIGNED BY: RKF
DRAWN BY: RKF
REVIEWED BY: MJV

REV	DATE	DESCRIPTION

SHEET TITLE:
 MISC. SITE DETAILS

SHEET NUMBER:
 C500

ORIGINAL ISSUE DATE: 06/18/18