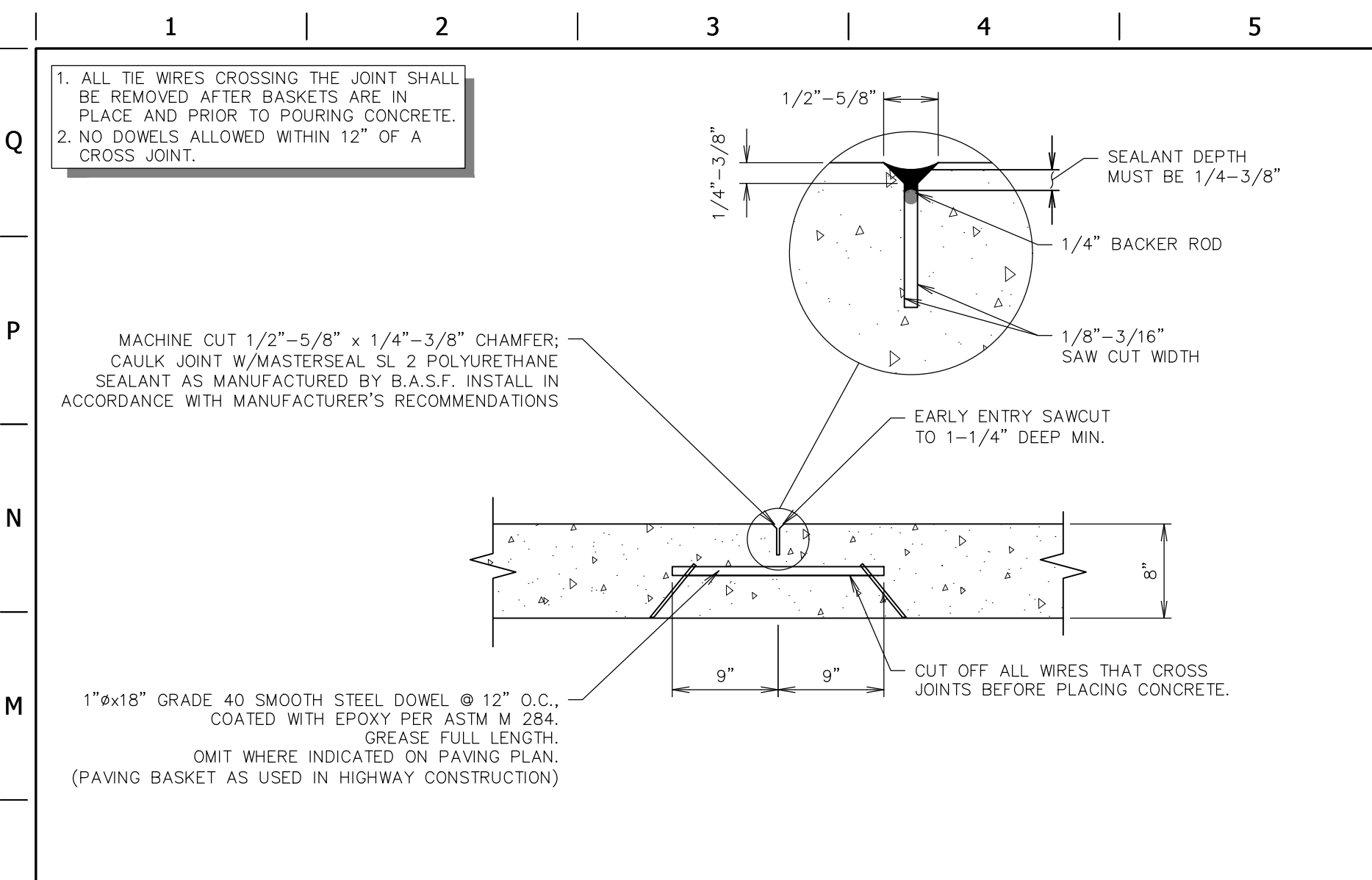
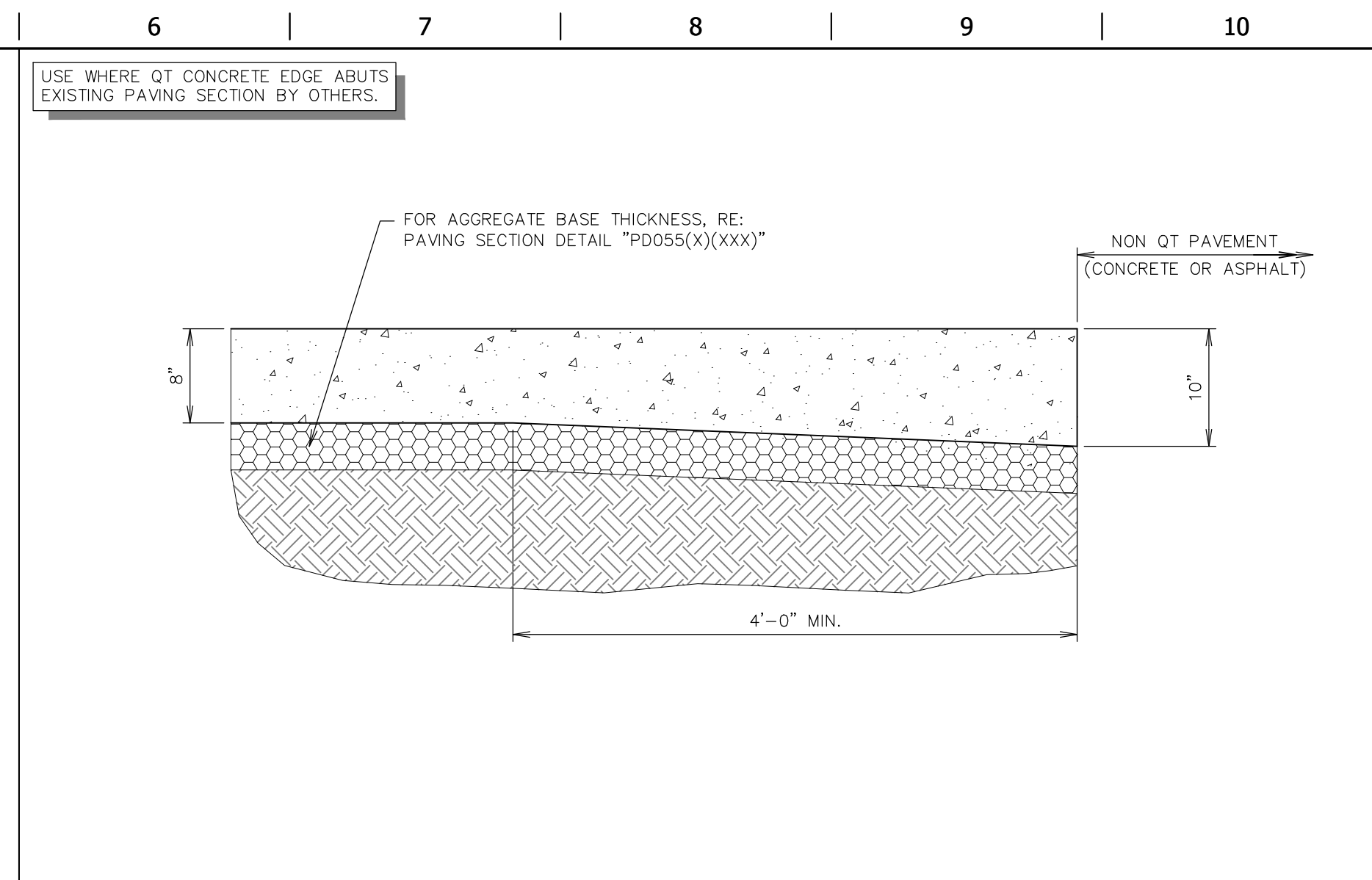


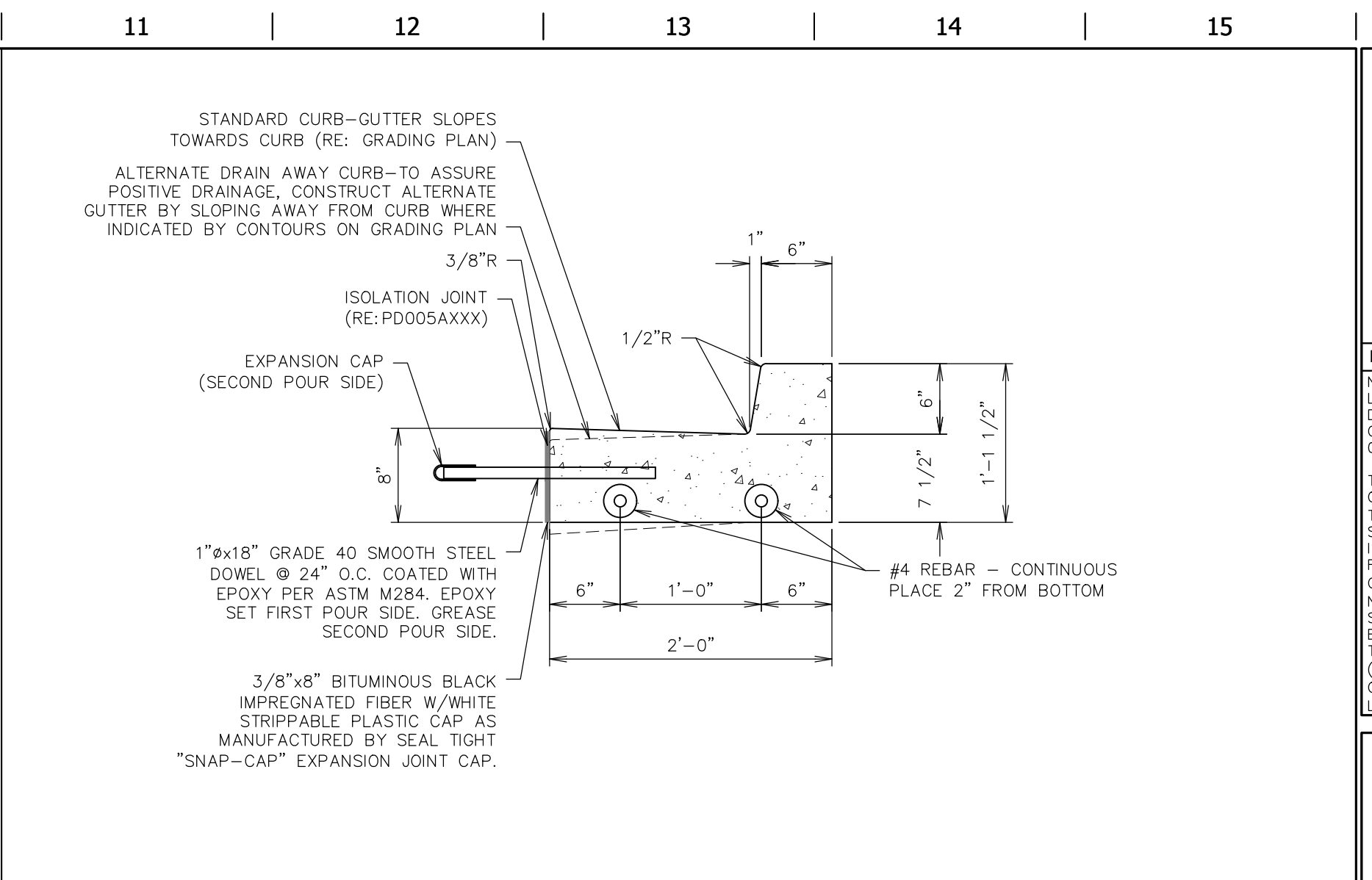
FILE LOCATION: K:\161105 - QuikTrip #62 - Bryan Road and Veterans Memorial Parkway\Civil\06-0662 DETAILS PAVING\DWG - TAB NAME: Paving Detail Sheet 2 USER: rkyr SA: 06/11/2018 03:31 AM PLOT: 06/12/2018 12:35 PM



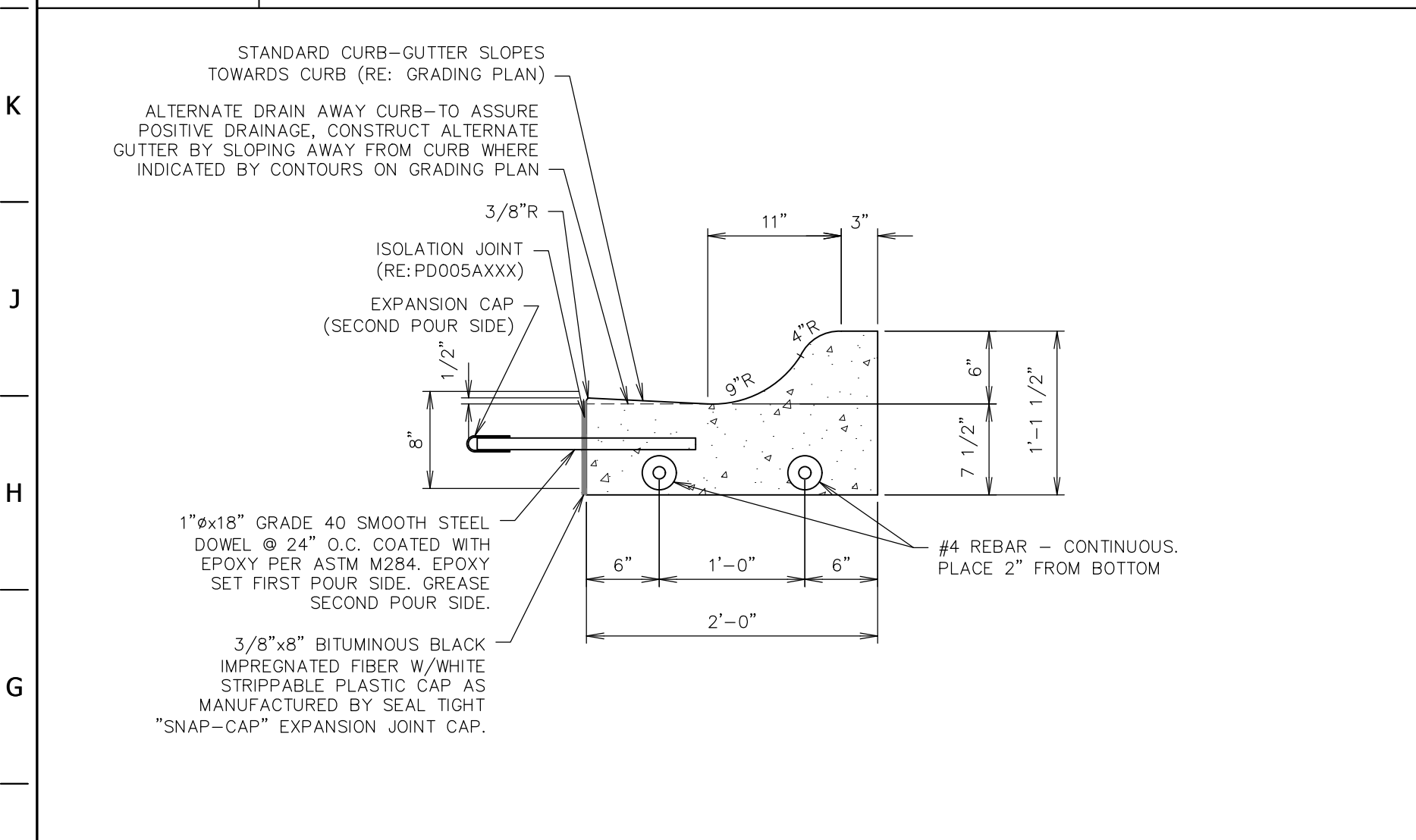
L1 PAVING JOINT - CONTRACTION
NTS SN: PD007A008



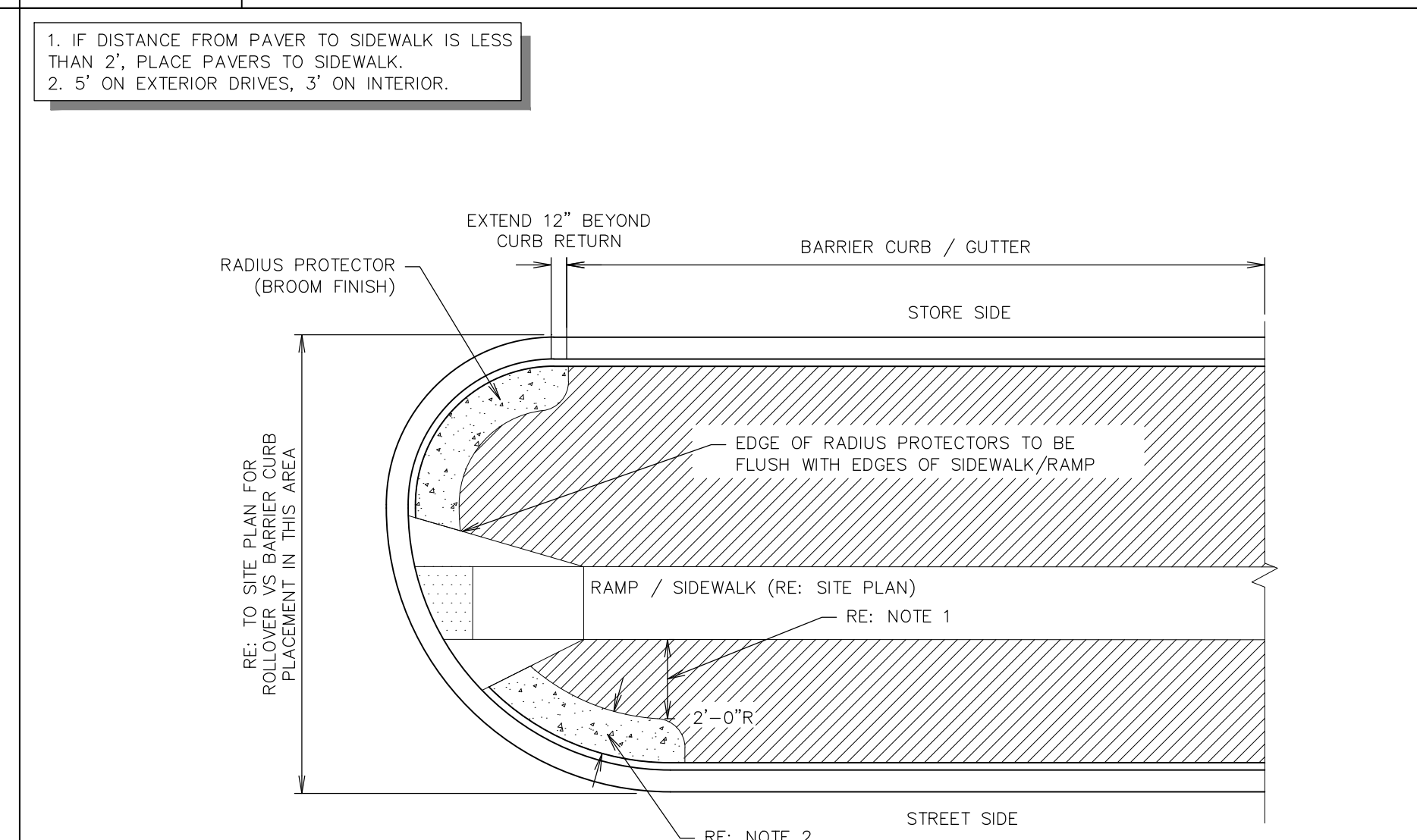
L6 THICKENED EDGE SECTION
NTS SN: PD008A006



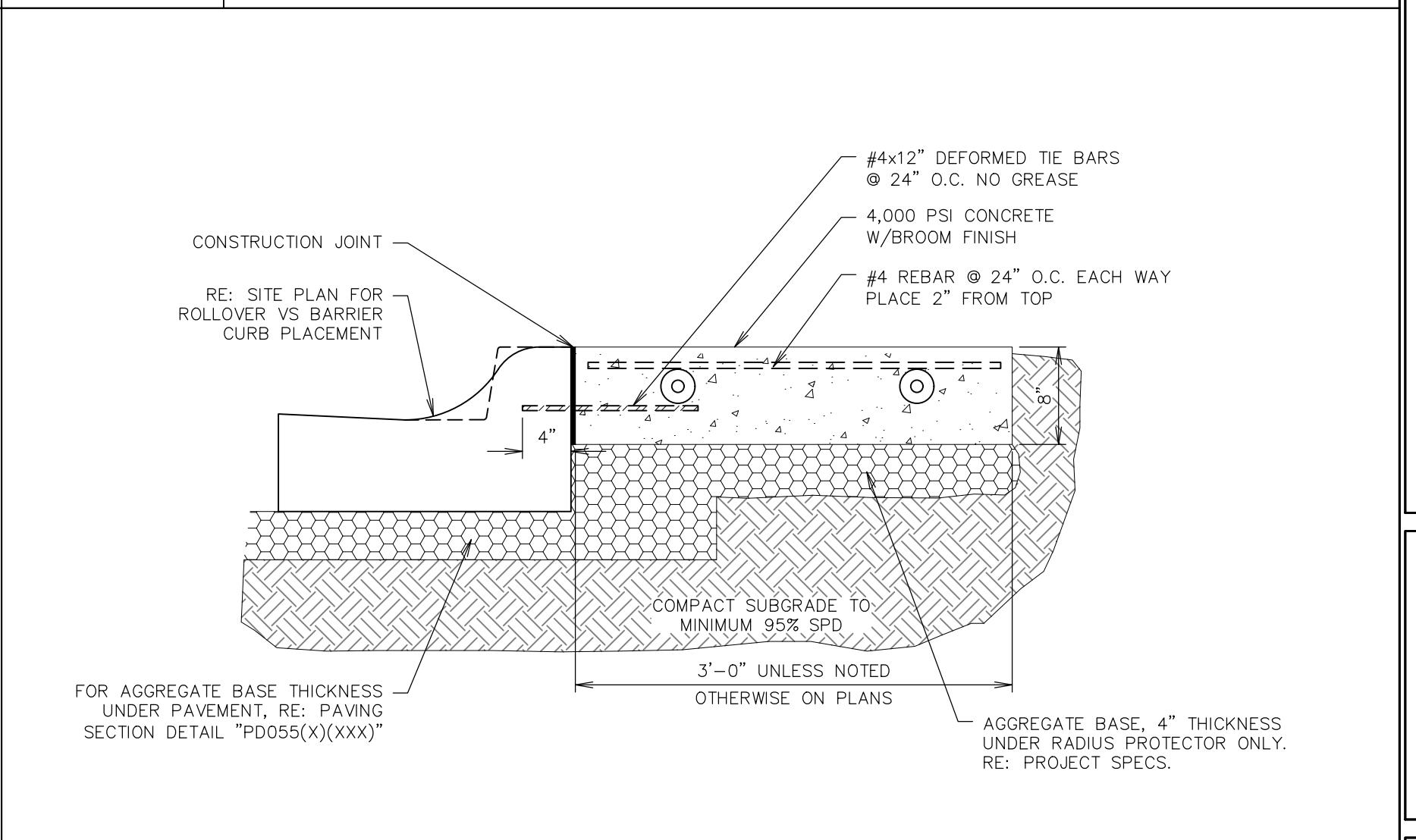
L11 CURB DETAIL - BARRIER
NTS SN: PD009A010



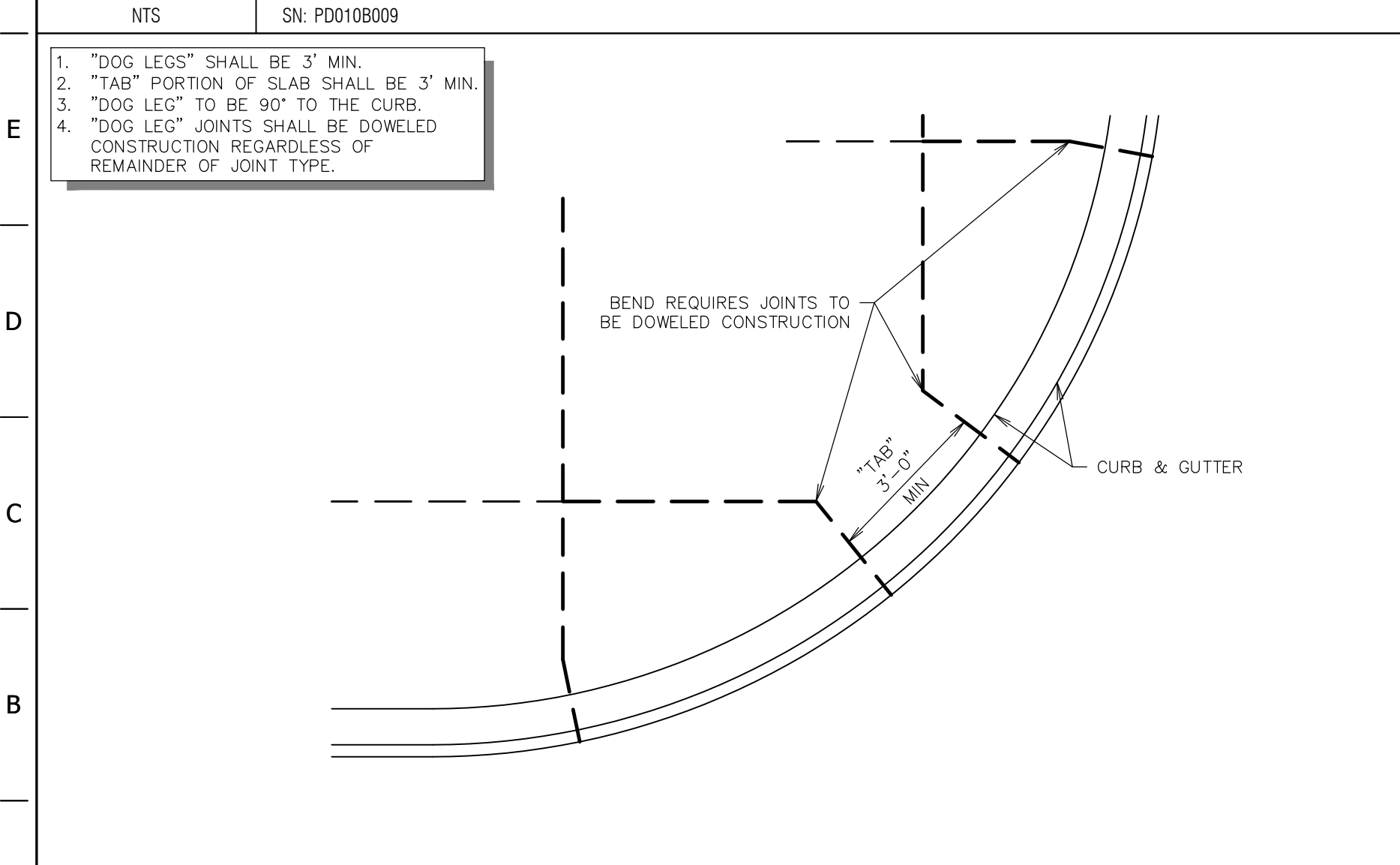
F1 CURB DETAIL - ROLLOVER / MOUNTABLE
NTS SN: PD010B009



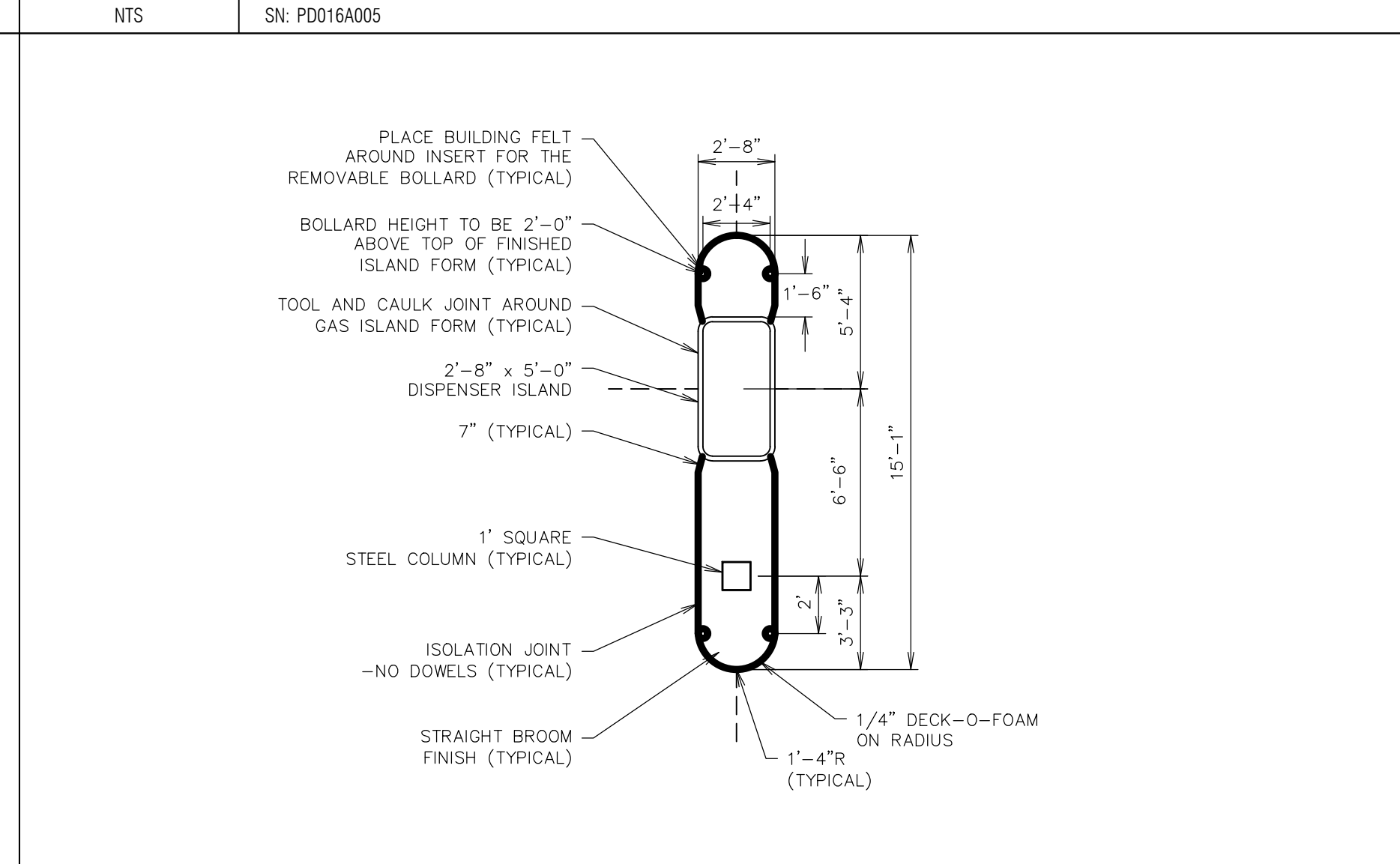
F6 RADIUS PROTECTOR PLAN
NTS SN: PD016A005



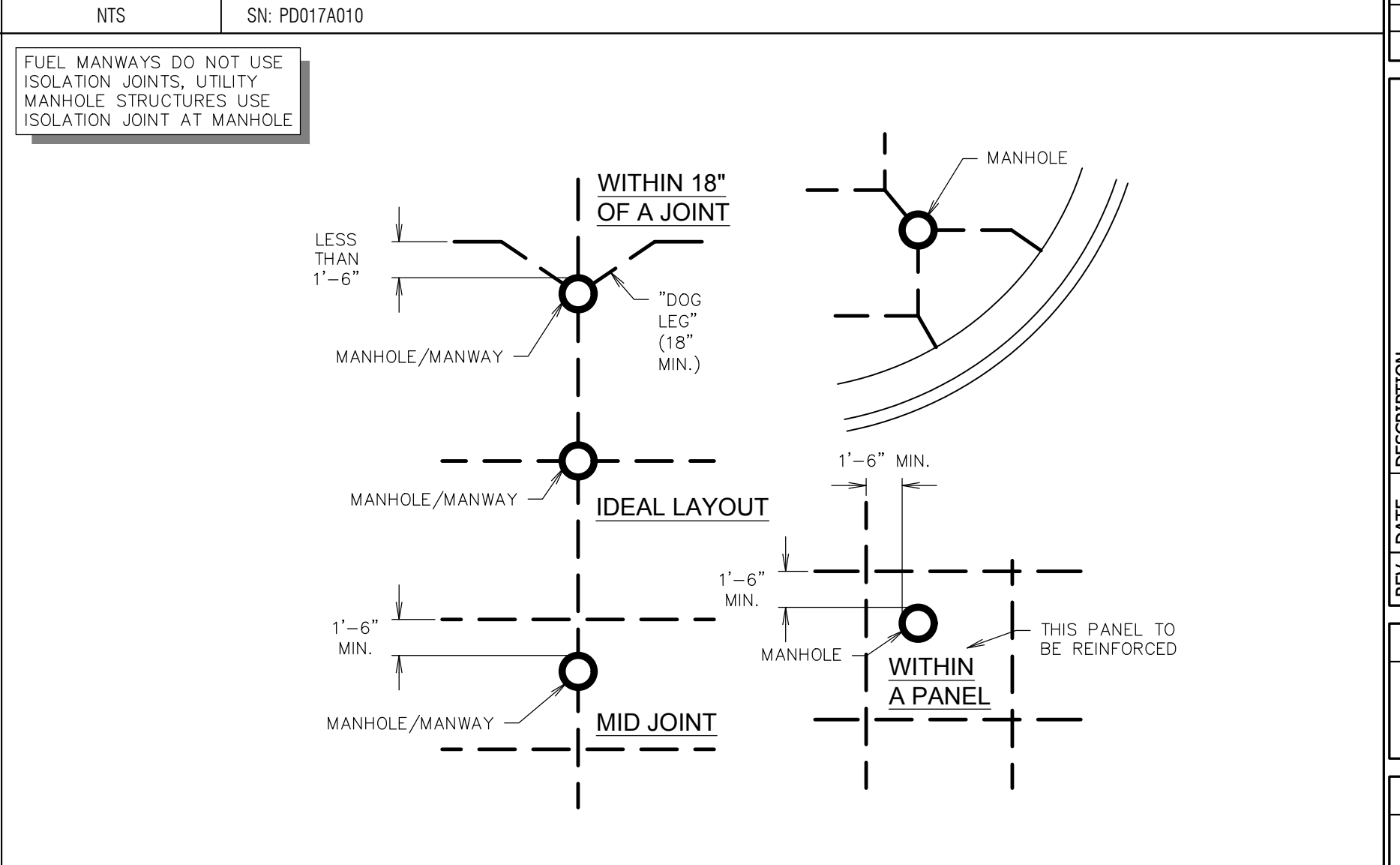
F11 STANDARD RADIUS PROTECTOR SECTION
NTS SN: PD017A010



A1 TYPICAL JOINT LAYOUT - AT RADIUS AND ANGLES
NTS SN: PD019A007



A6 GAS ISLAND JOINTING - (G3S DS STEEL)
NTS SN: PD077A001



A11 TYPICAL MANHOLE / FUEL MANWAY JOINT LAYOUTS
NTS SN: PD021A003

PROJECT NO.: 161105
NAME: MICHAEL J. VELLOFF
LICENSE NUMBER: E-2000161862
DISCIPLINE: CIVIL
CORPORATION AUTHORITY NUMBER: 001194

THE SEAL OF MICHAEL J. VELLOFF ON THIS DRAWING APPLIES ONLY TO THE CIVIL/SITE ENGINEERING SHOWN. IT DOES NOT APPLY, NOR IS ANY RESPONSIBILITY TAKEN FOR ENVIRONMENTAL, GEOTECHNICAL (INCLUDING BUT NOT LIMITED TO SLOPE STABILITY), STRUCTURAL, HVAC, PLUMBING, ELECTRICAL, FIRE PROTECTION, TRAFFIC ENGINEERING, SURVEYING (BOUNDARY AND TOPOGRAPHIC), OR ARCHITECTURAL (BUILDING OR LANDSCAPE).

QuikTrip No. 0662
955 BRYAN ROAD
OFALLAN, MO 63366

© COPYRIGHT QUIKTRIP CORPORATION 2011
ANY UNAUTHORIZED USE, REPRODUCTION, PUBLICATION, DISTRIBUTION, OR SALE IN WHOLE OR IN PART, IS STRICTLY FORBIDDEN.

PROTOTYPE: P-94-01
DIVISION: 06
VERSION: 001
DESIGNED BY: RKF
DRAWN BY: RKF
REVIEWED BY: MJV

REV	DATE	DESCRIPTION

ORIGINAL ISSUE DATE: 06/18/18

SHEET TITLE:
PAVING DETAILS

SHEET NUMBER:
C521