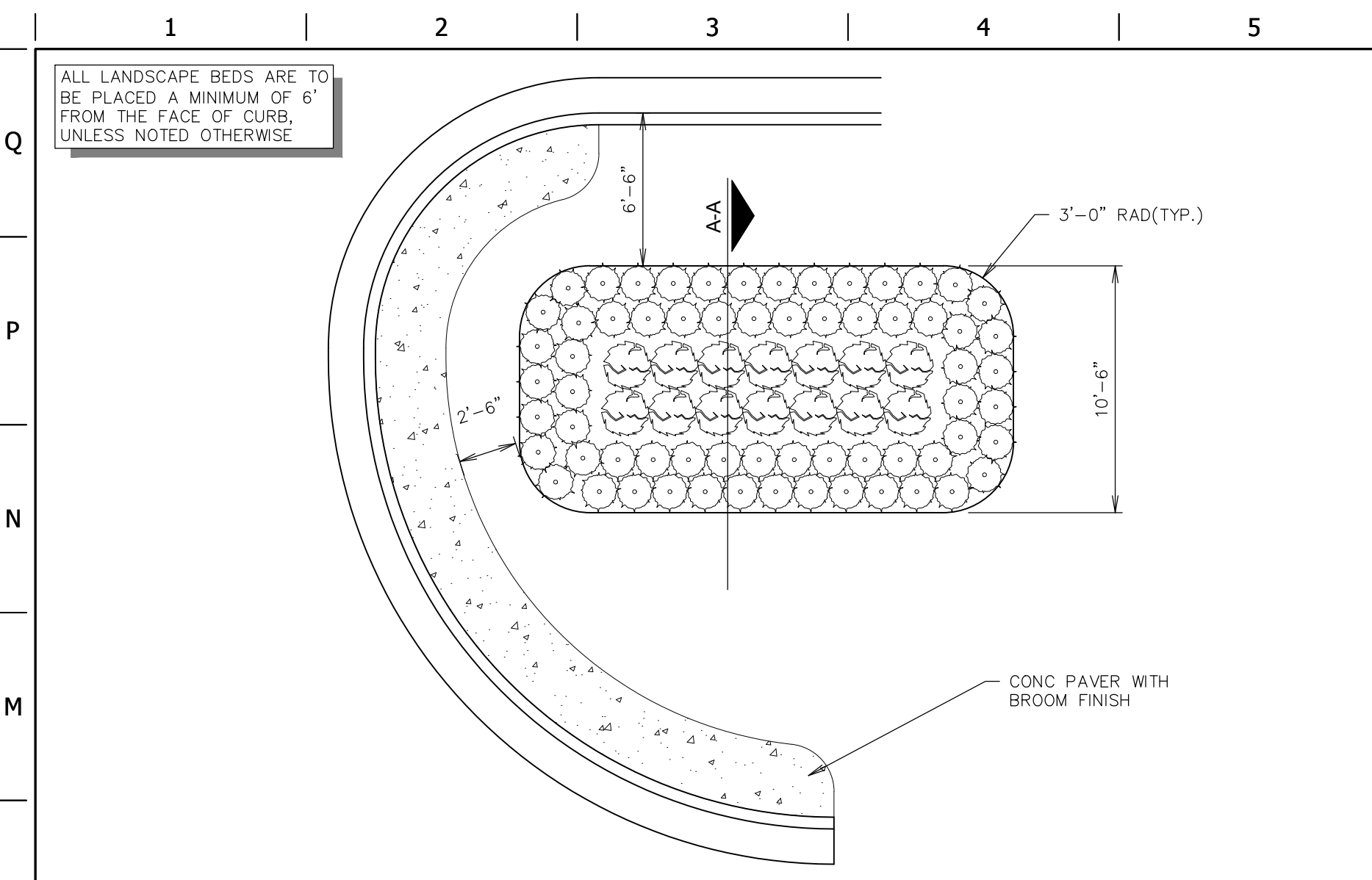
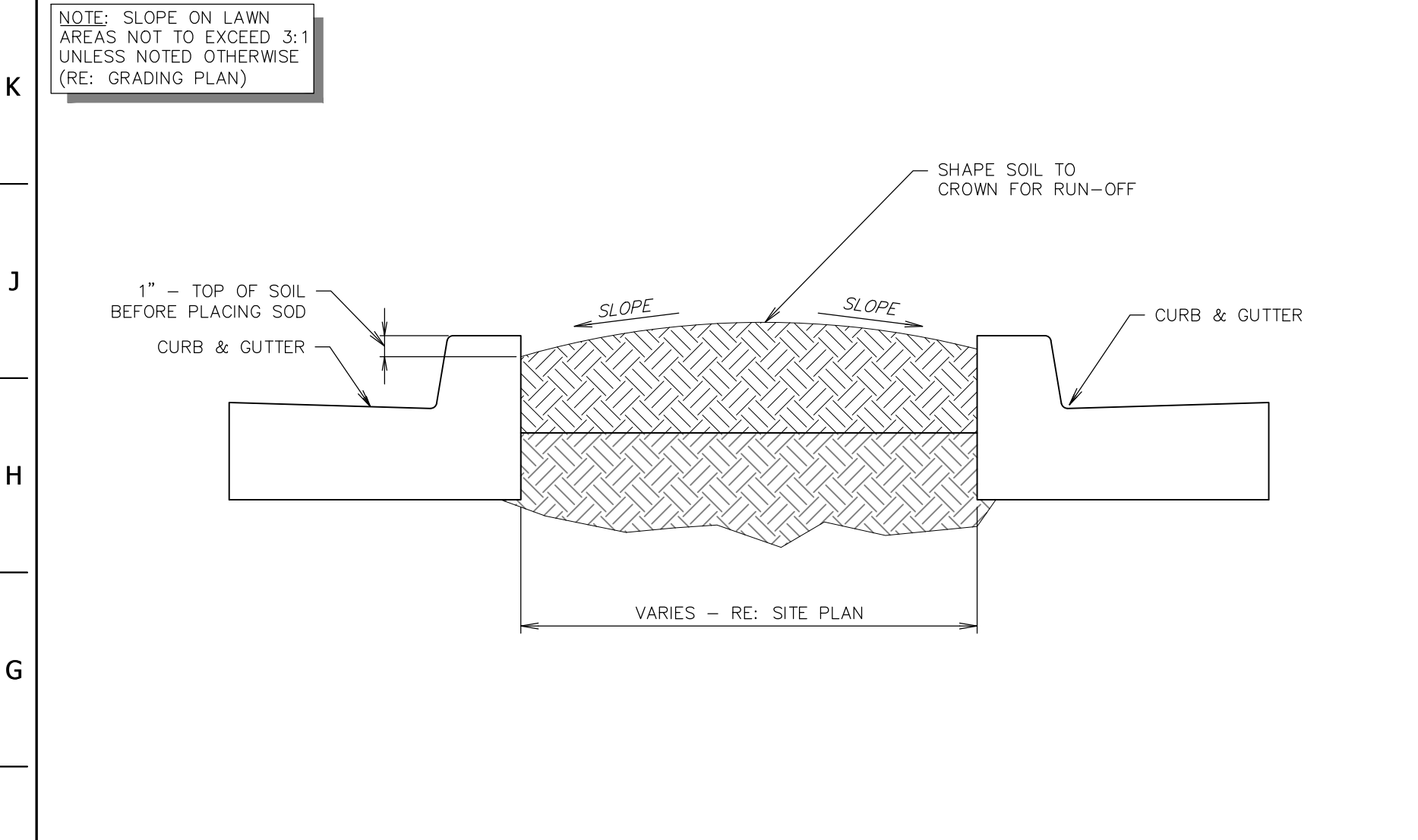


FILE LOCATION: K:\161105 - QuikTrip #62 - Bryan Road and Veterans Memorial Parkway\Civil\06-0662 DETAILS LS.dwg
 TAB NAME: LS Detail Sheet 1
 USER: rchryer
 SAVED: 6/11/2018 6:15 AM
 PLOTTED: 6/12/2018 12:28 PM



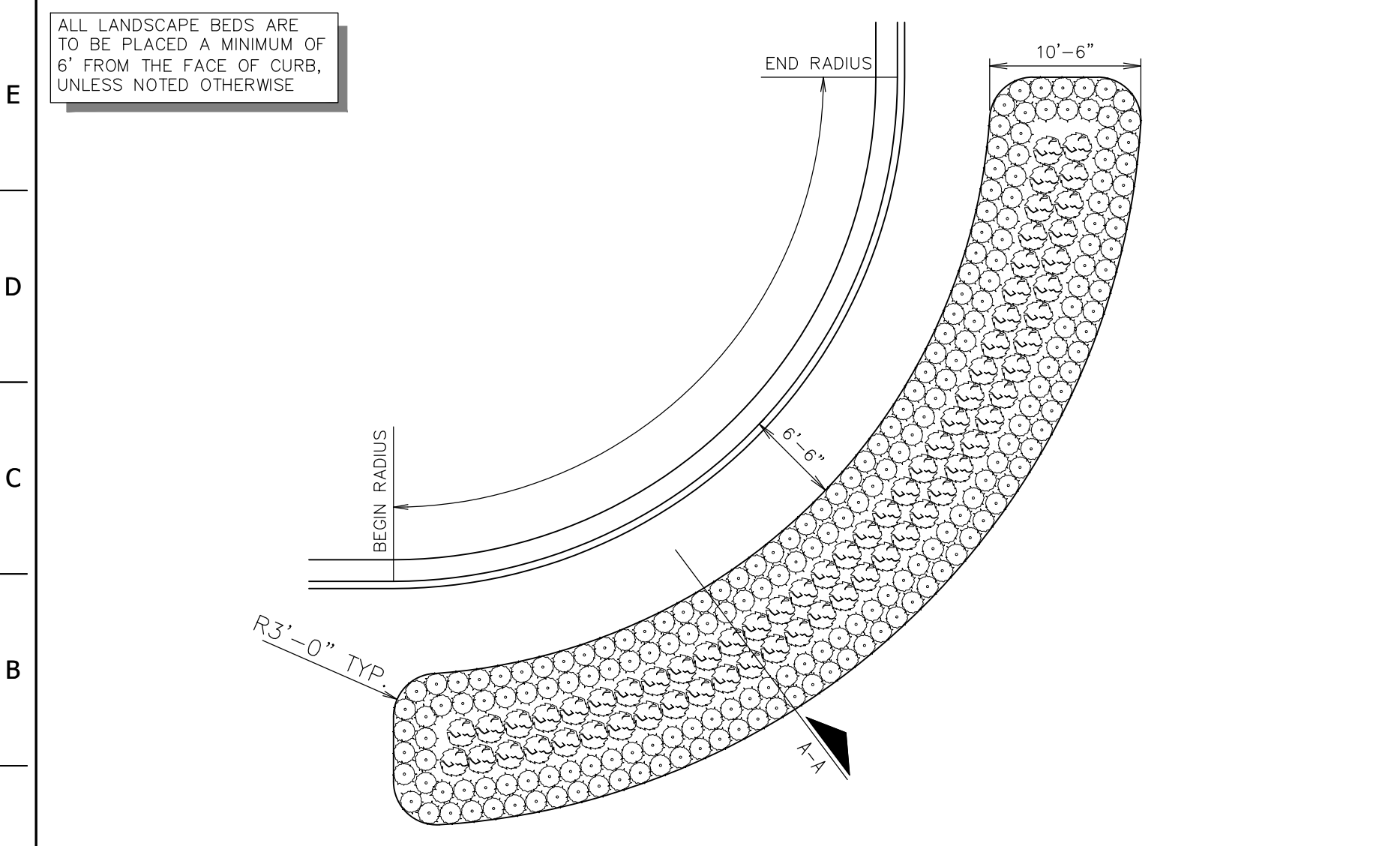
L1 LANDSCAPE BED TYPE "A"

NTS SN: LD001A005



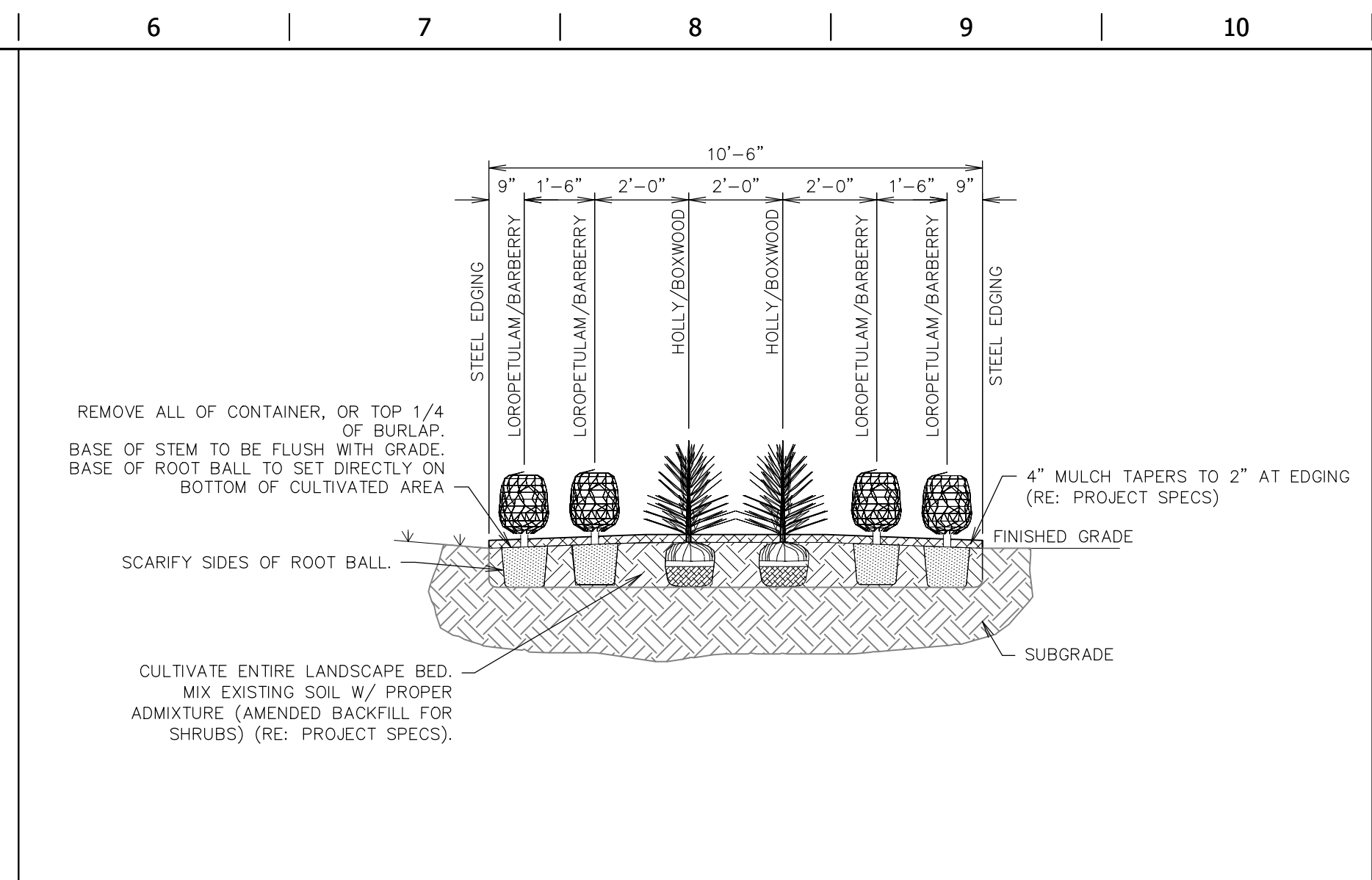
F1 TYPICAL LAWN SECTION

NTS SN: LD007A002



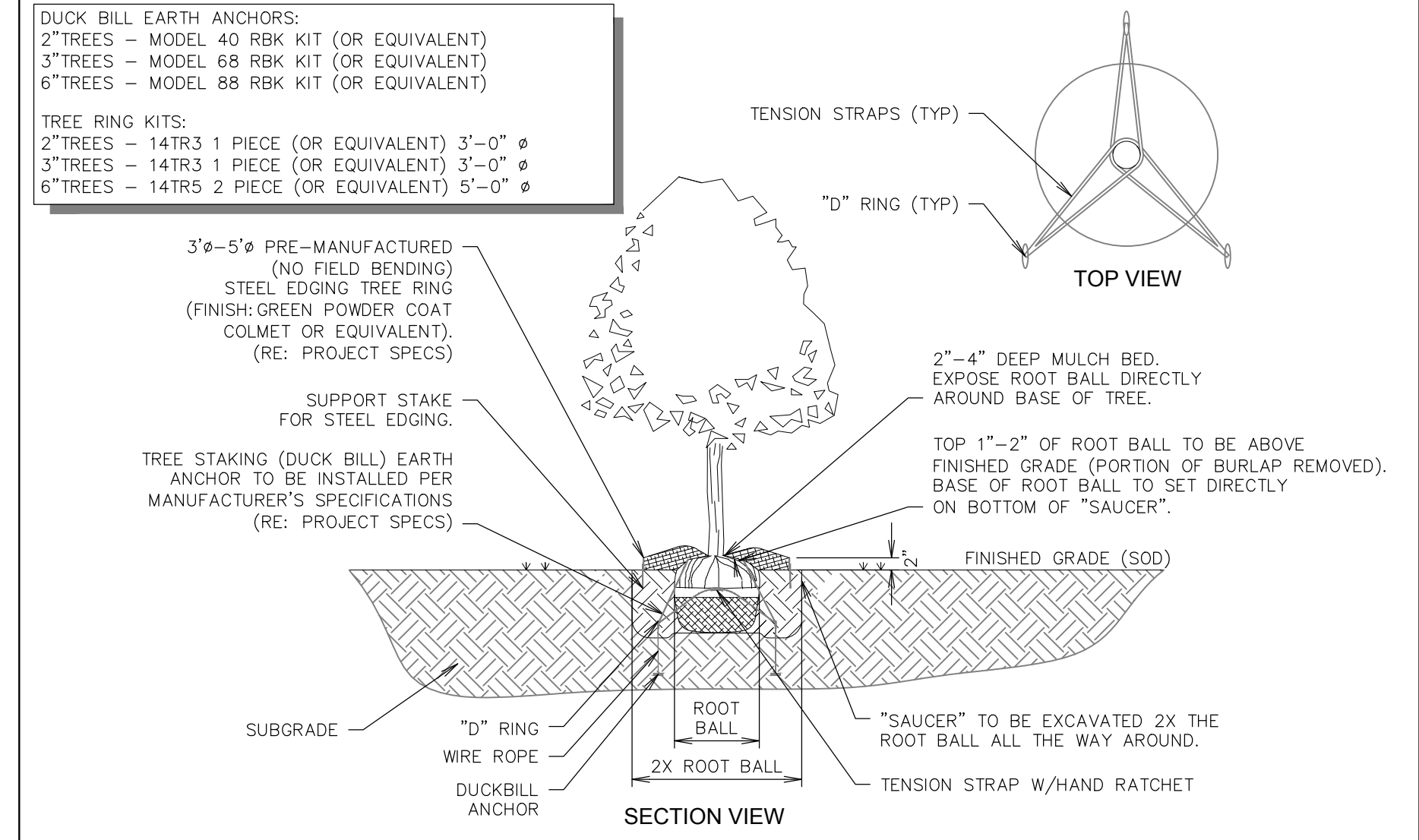
A1 LANDSCAPE BED TYPE "B"

NTS SN: LD002A004



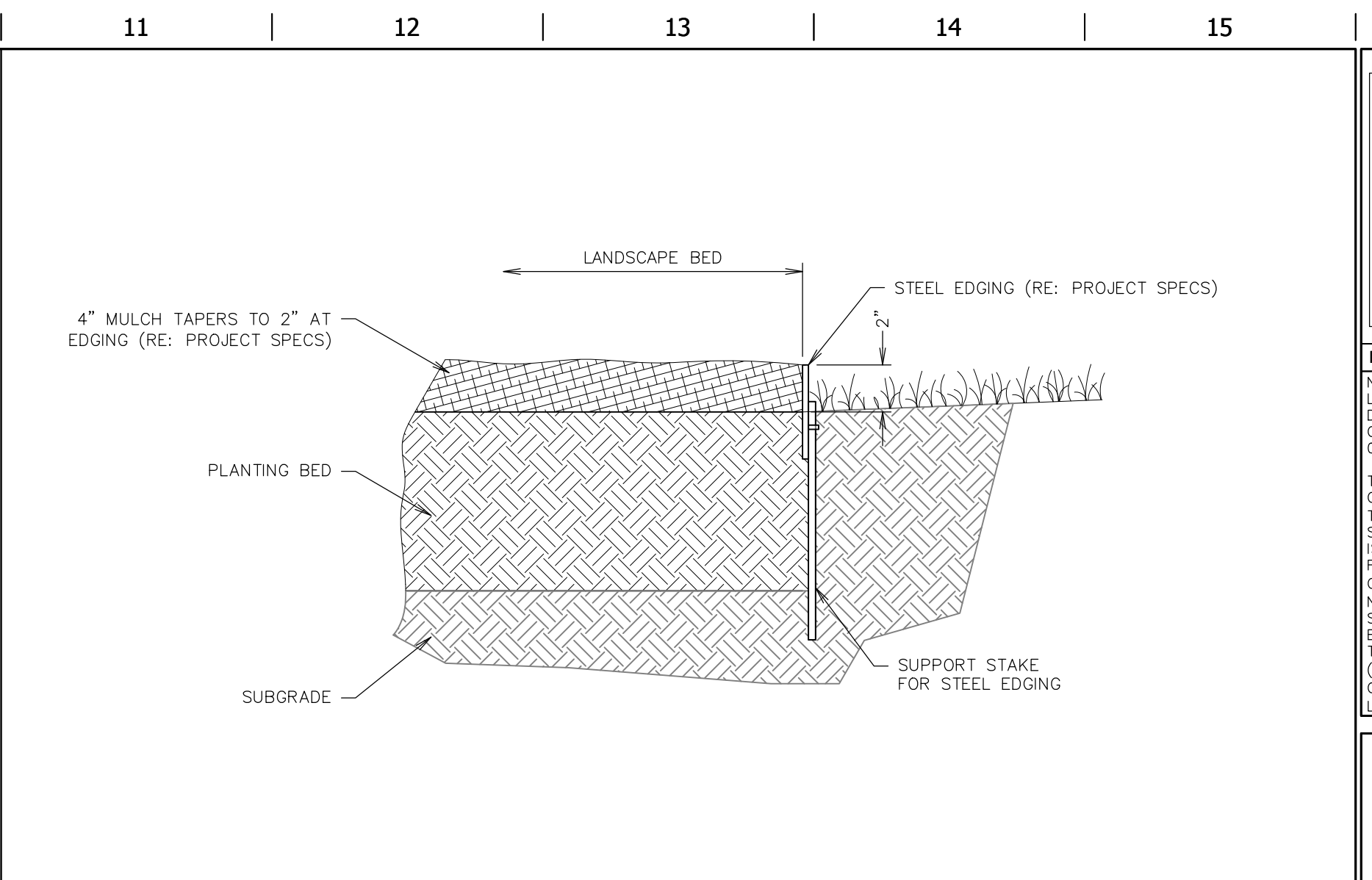
L6 SHRUB PLANTING SECTION A-A

NTS SN: LD003A005



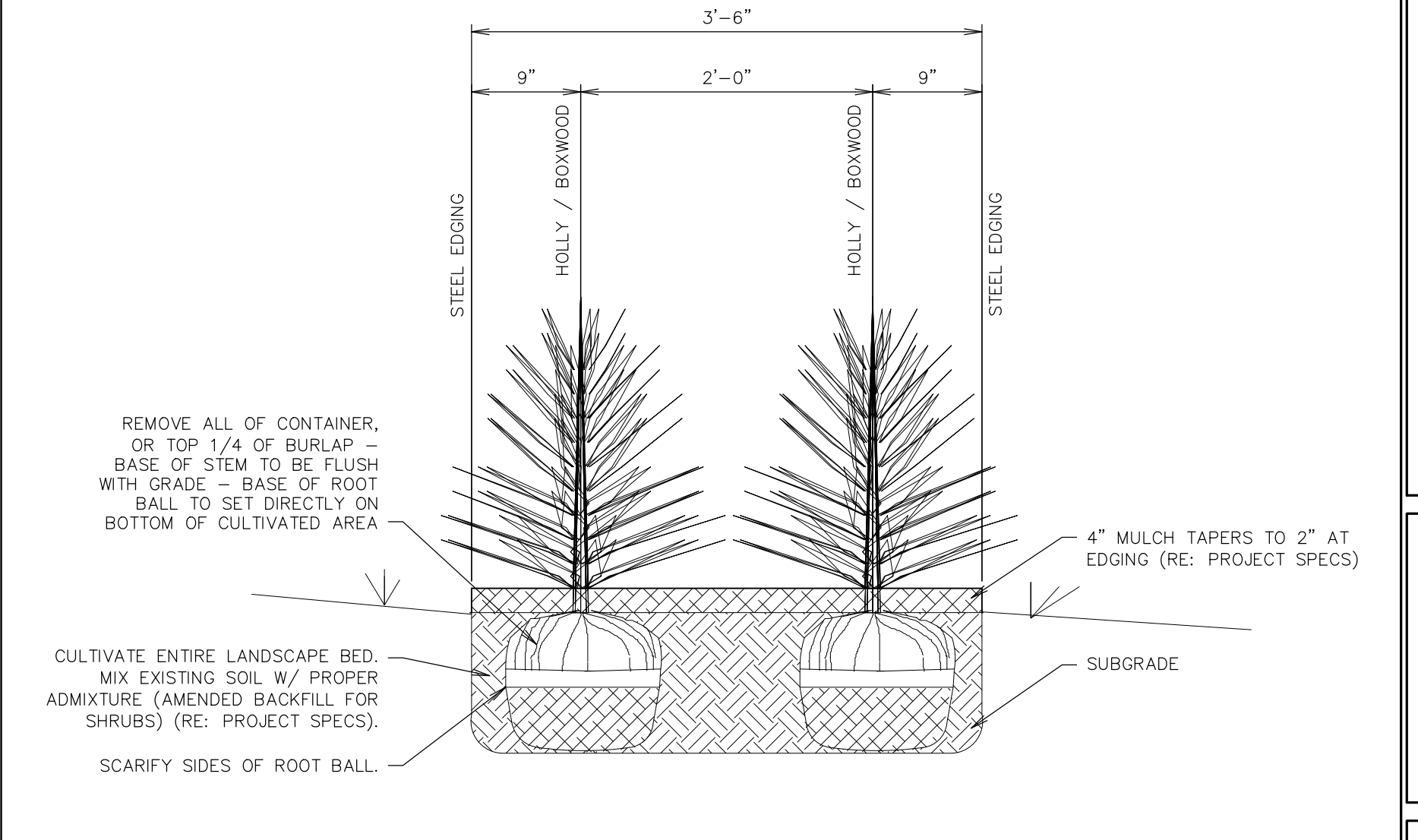
F6 TREE PLANTING DETAIL - DUCKBILL

NTS SN: LD008B006



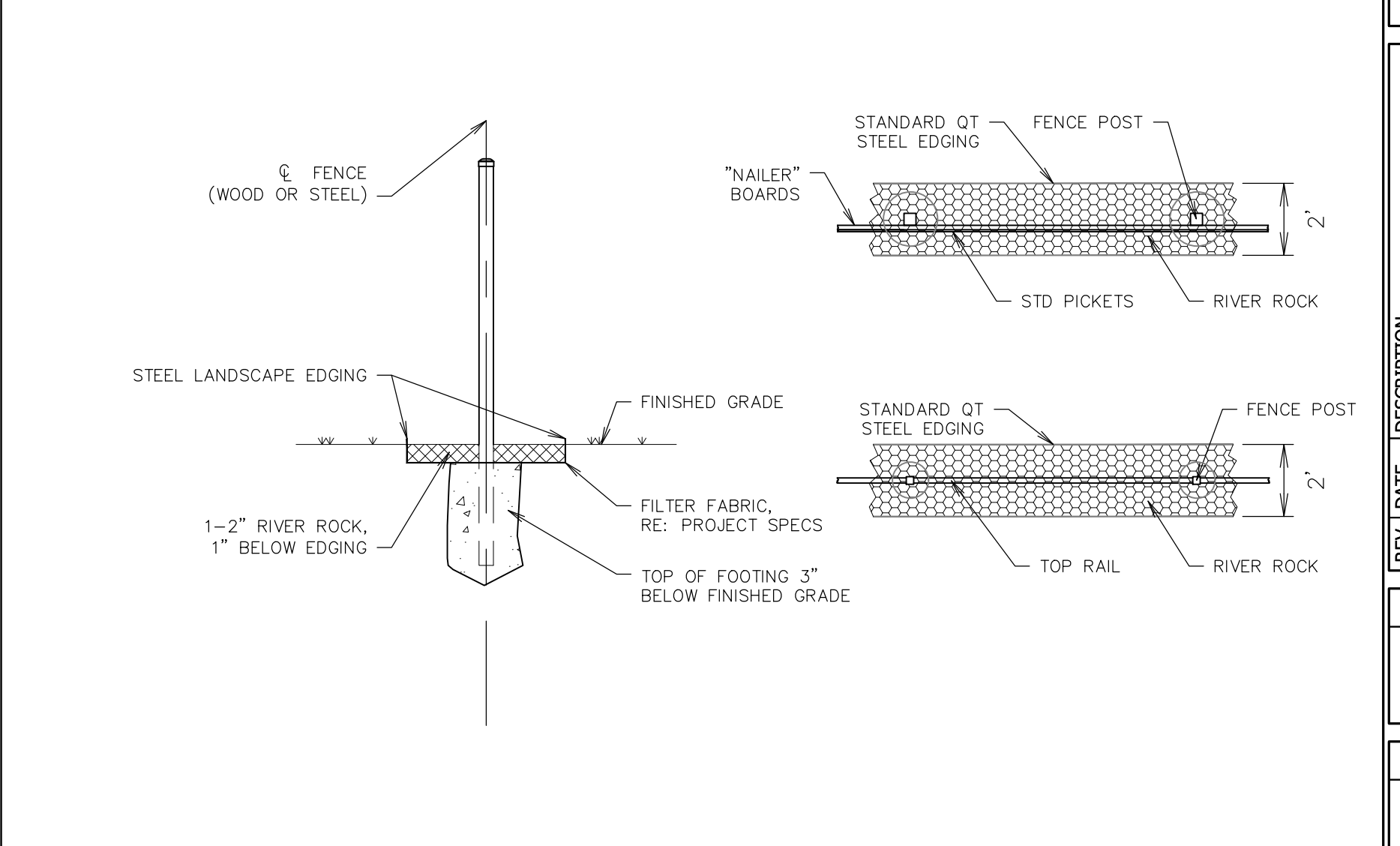
L11 LANDSCAPE STEEL EDGING DETAIL

NTS SN: LD006A004



F11 SHRUB SCREENING SECTION B-B

NTS SN: LD005A004



A11 LS EDGING ADJACENT TO FENCE

NTS SN: LD024B006



PROJECT NO.: 161105
NAME: MICHAEL J. VELLOFF
LICENSE NUMBER: E-2000161862
DISCIPLINE: CIVIL
CORPORATION AUTHORITY NUMBER: 001194
 THE SEAL OF MICHAEL J. VELLOFF ON THIS DRAWING APPLIES ONLY TO THE CIVIL/SITE ENGINEERING SHOWN. IT DOES NOT APPLY, NOR IS ANY RESPONSIBILITY TAKEN FOR ENVIRONMENTAL, GEOTECHNICAL (INCLUDING BUT NOT LIMITED TO SLOPE STABILITY), STRUCTURAL, HVAC, PLUMBING, ELECTRICAL, FIRE PROTECTION, TRAFFIC ENGINEERING, SURVEYING (BOUNDARY AND TOPOGRAPHIC), OR ARCHITECTURAL (BUILDING OR LANDSCAPE).

QuikTrip No. 0662
 955 BRYAN ROAD
 O'FALLAN, MD 63366



© COPYRIGHT QUIKTRIP CORPORATION 2011
 ANY UNAUTHORIZED USE, REPRODUCTION, PUBLICATION, DISTRIBUTION, OR SALE IN WHOLE OR IN PART, IS STRICTLY FORBIDDEN.

PROTOTYPE: P-94-01
DIVISION: 06
VERSION: 001
DESIGNED BY: RKF
DRAWN BY: RKF
REVIEWED BY: MJV

REV	DATE	DESCRIPTION

SHEET TITLE:
 LANDSCAPE DETAILS

SHEET NUMBER:

L500

ORIGINAL ISSUE DATE: 06/18/18