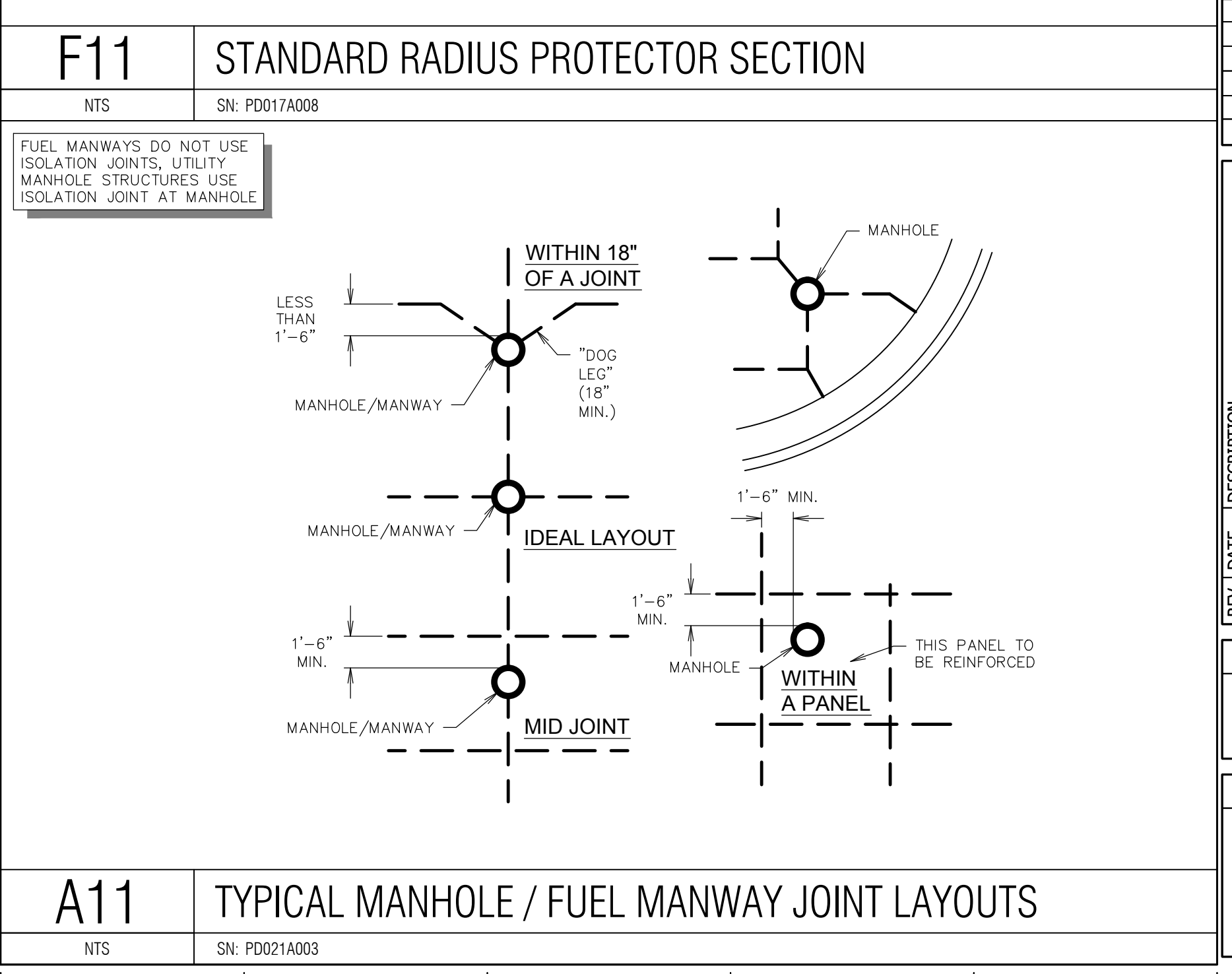
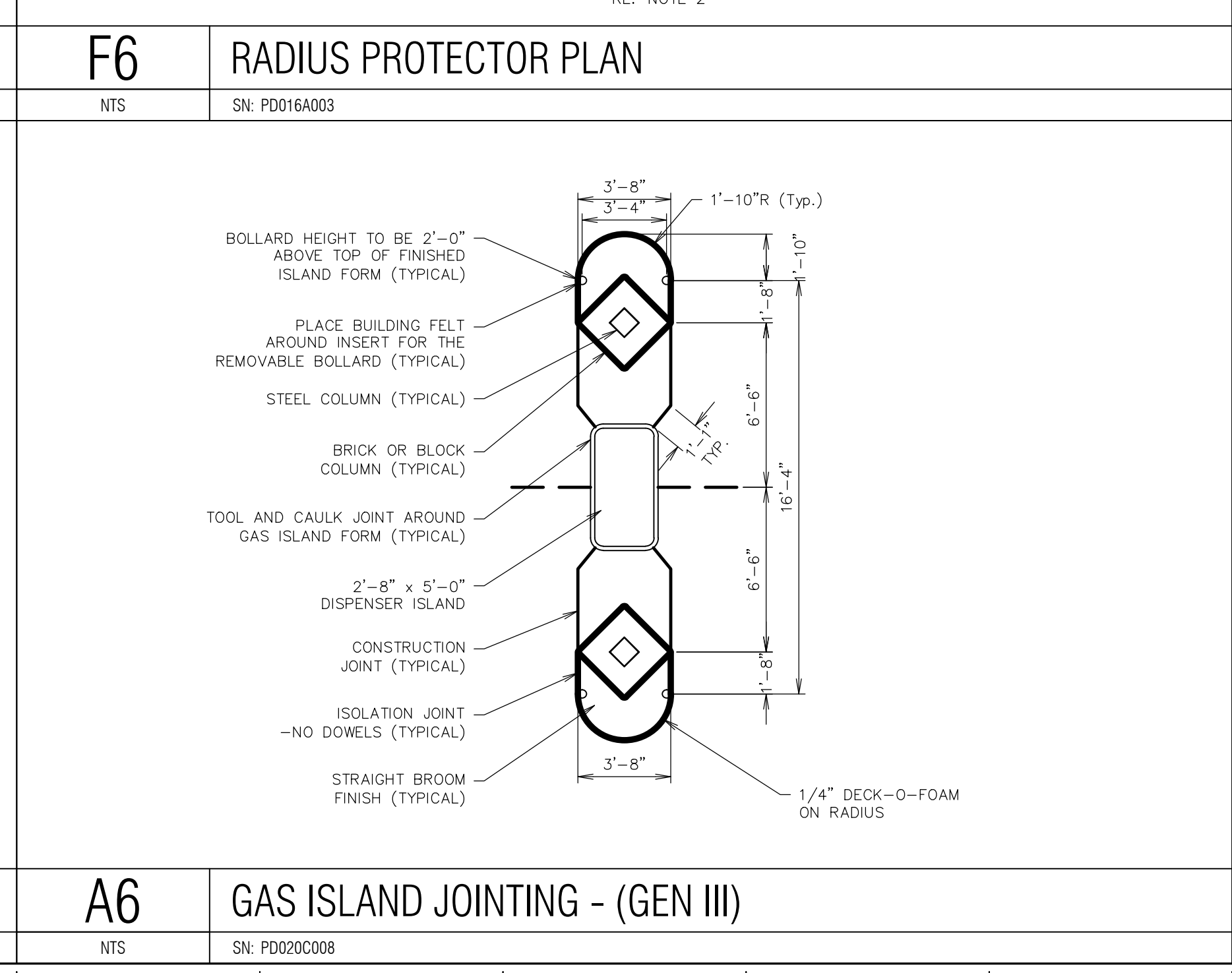
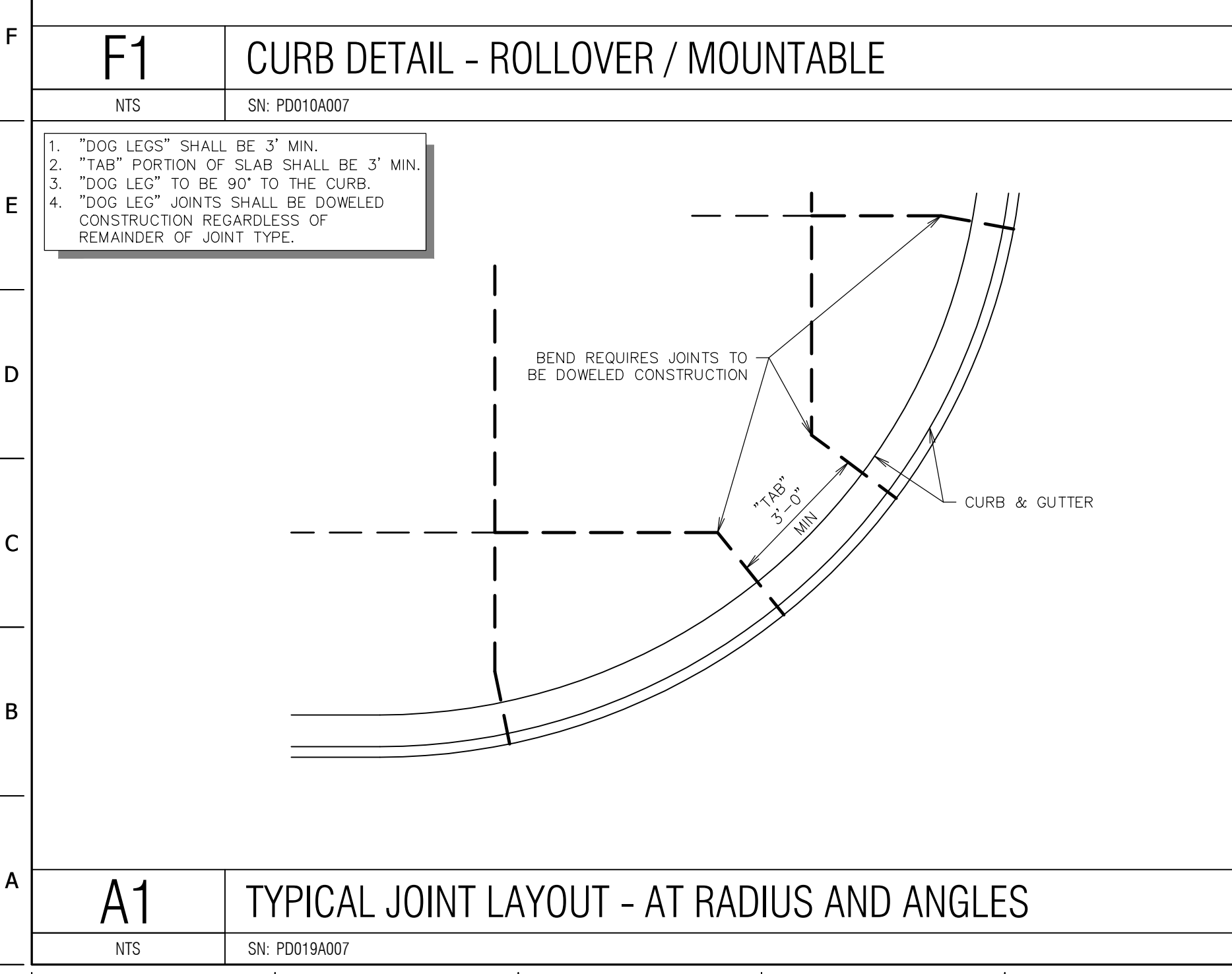
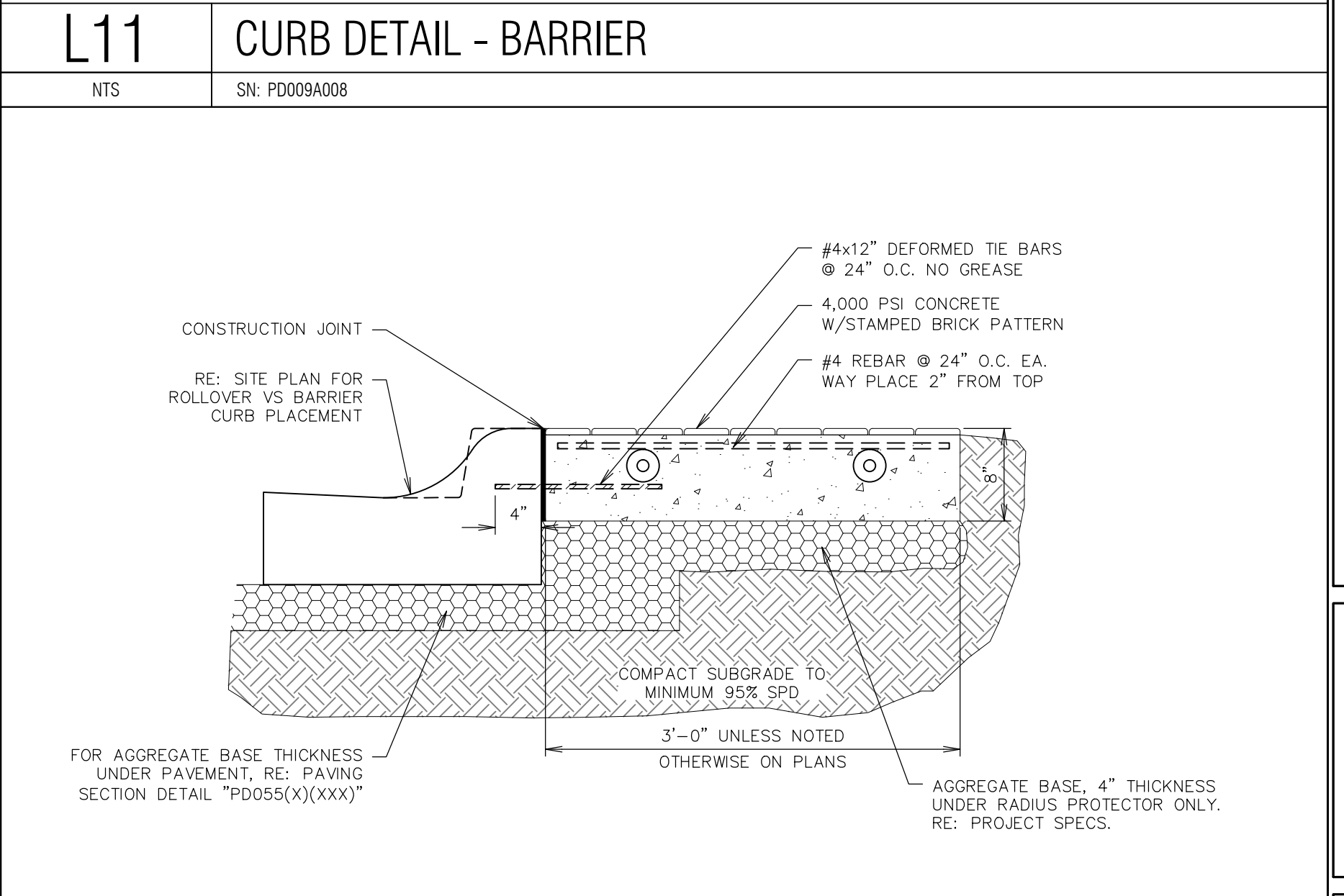
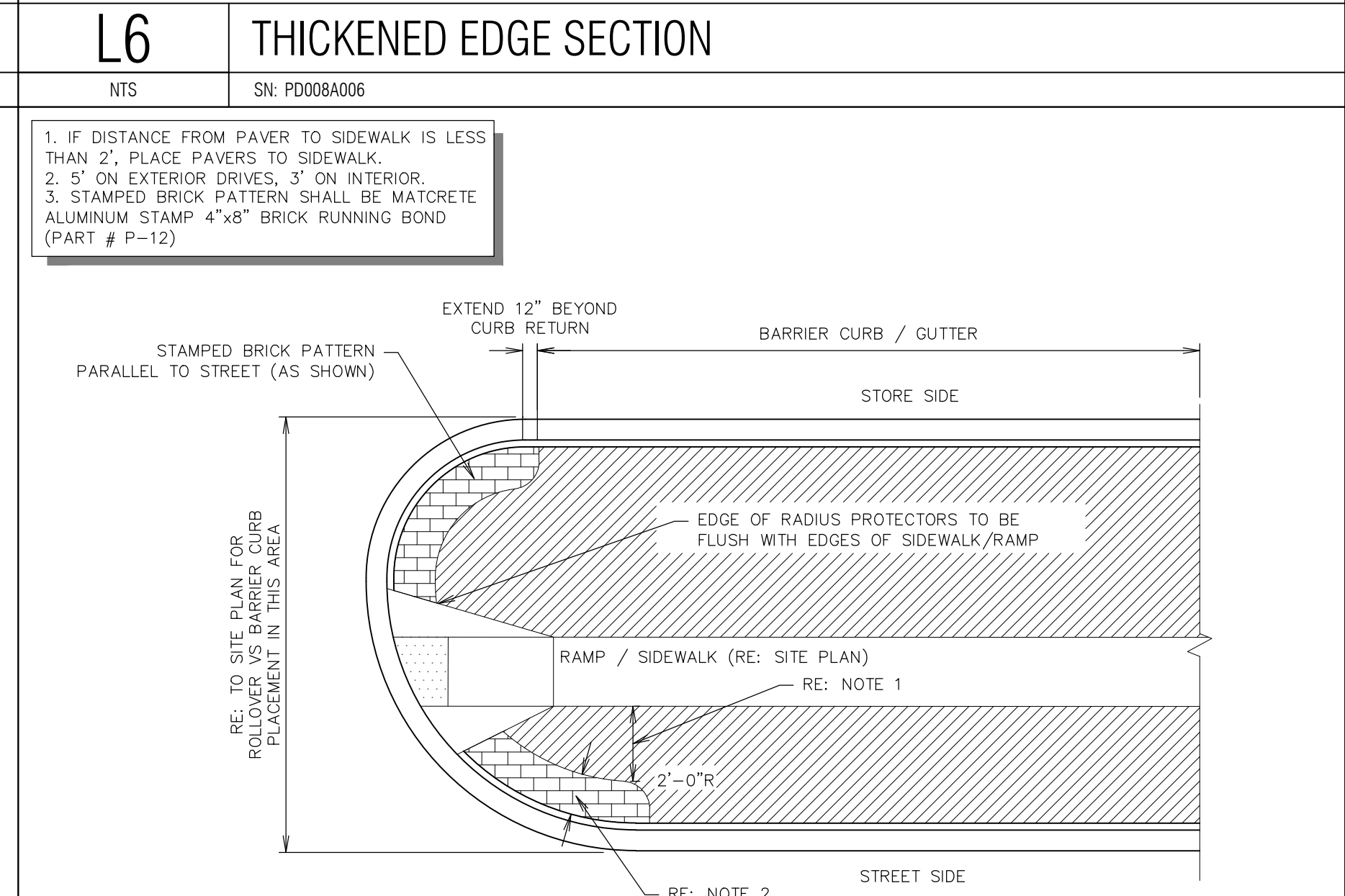
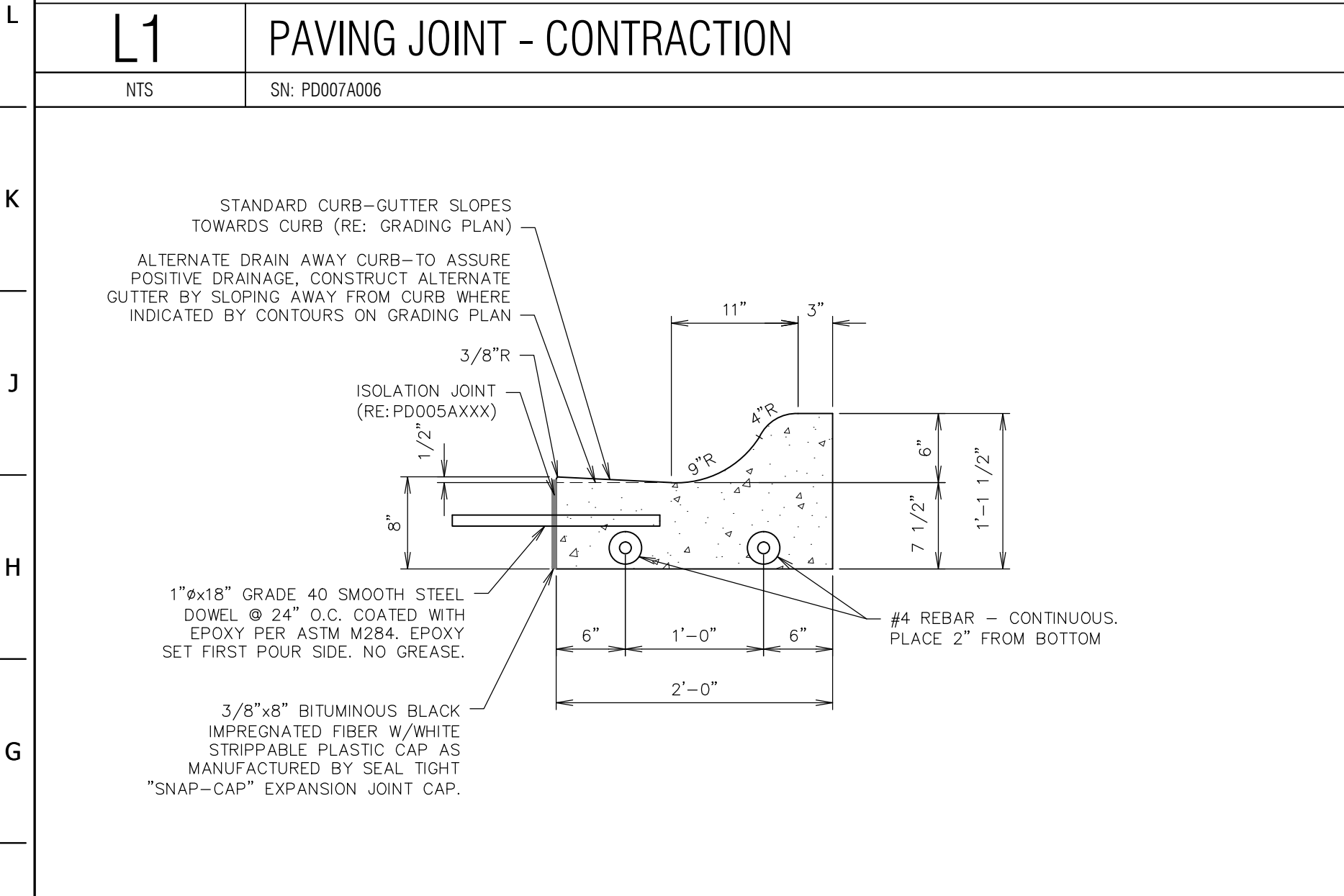
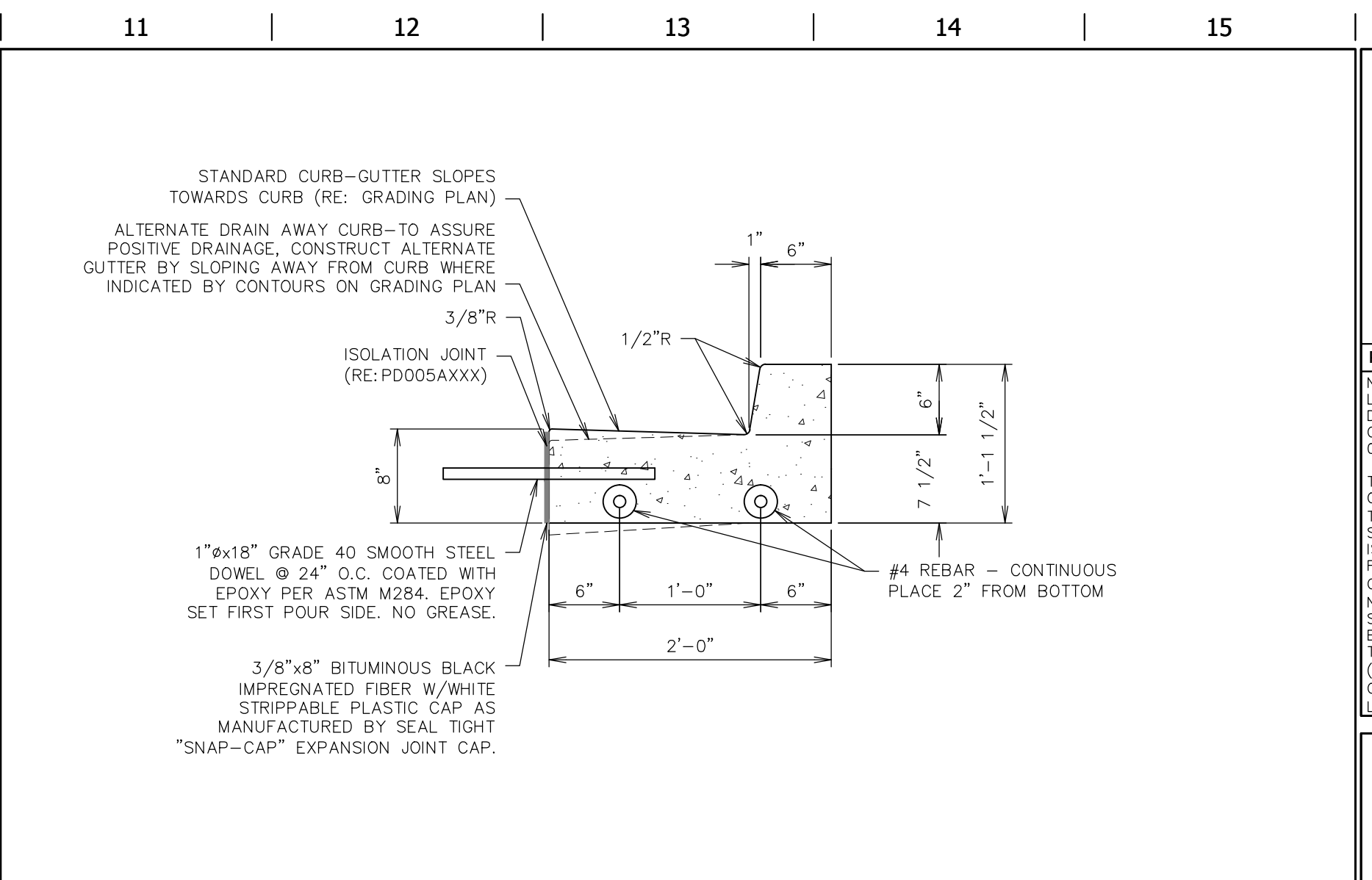
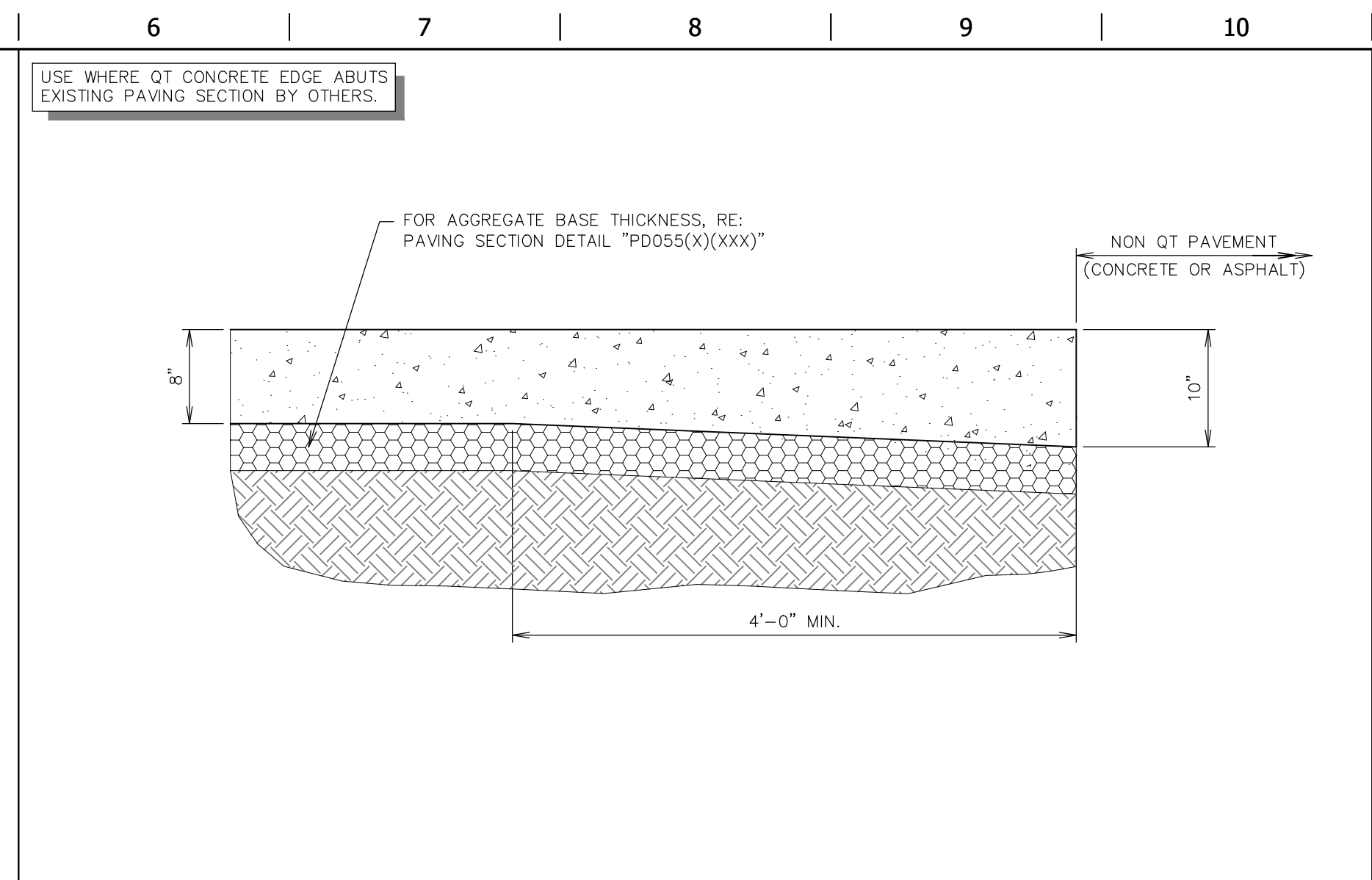
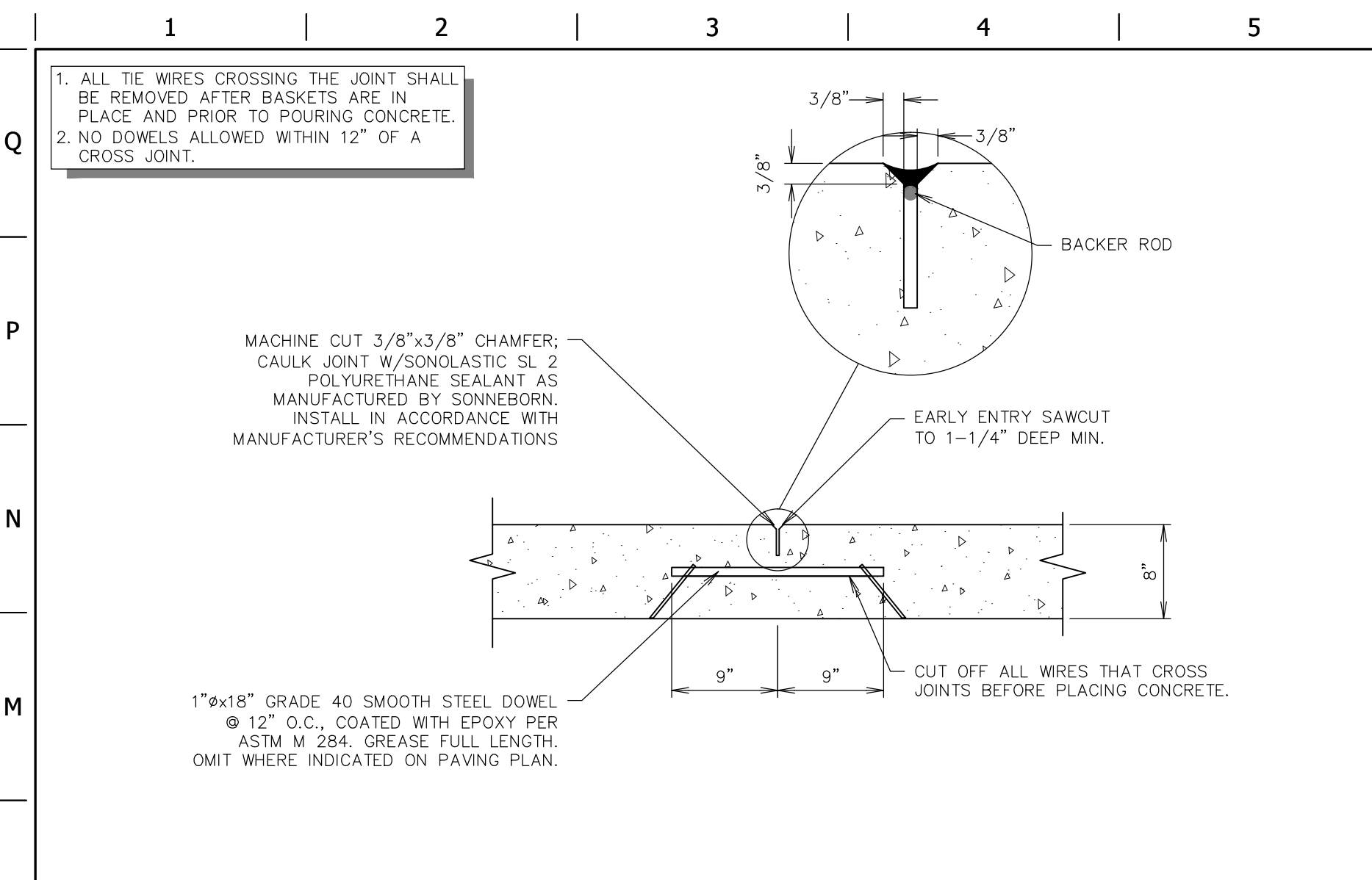


FILE LOCATION: K:\151054 - QuikTrip #0675 - Highway K and Fallon Parkway\Civil\06-0675 DETAILS PAVING.DWG, 9/15/2016 9:02 AM



**QUIKTRIP**

MICHAEL J. VELLOFF  
 LICENSE NO. E-2000161862  
 PROJECT NO. ONLY

PROJECT NO.: 151054  
 NAME: MICHAEL J. VELLOFF  
 LICENSE NUMBER: E-2000161862  
 DISCIPLINE: CIVIL  
 CORPORATION AUTHORITY NUMBER: 601194

THE SEAL OF MICHAEL J. VELLOFF ON THIS DRAWING APPLIES ONLY TO THE CIVIL/SITE ENGINEERING SHOWN. IT DOES NOT APPLY, NOR IS ANY RESPONSIBILITY TAKEN FOR ENVIRONMENTAL, GEOTECHNICAL (INCLUDING BUT NOT LIMITED TO SLOPE STABILITY), STRUCTURAL, HVAC, PLUMBING, ELECTRICAL, FIRE PROTECTION, TRAFFIC ENGINEERING, SURVEYING (BOUNDARY AND TOPOGRAPHIC), OR ARCHITECTURAL (BUILDING OR LANDSCAPE).

**QuikTrip No. 0675**  
 140 FALLON LOOP ROAD  
 OFALLON, MISSOURI 63368

**QT**

© COPYRIGHT QUIKTRIP CORPORATION 2011  
 ANY UNAUTHORIZED USE, REPRODUCTION, PUBLICATION, DISTRIBUTION, OR SALE IN WHOLE OR IN PART, IS STRICTLY FORBIDDEN.

PROTOTYPE: P-87
DIVISION: 06
VERSION: 001
DESIGNED BY: RKF
DRAWN BY: RKF
REVIEWED BY: MJV

REV	DATE	DESCRIPTION

ORIGINAL ISSUE DATE: 04-14-16

SHEET TITLE:  
PAVING DETAILS

SHEET NUMBER:  
**C521**