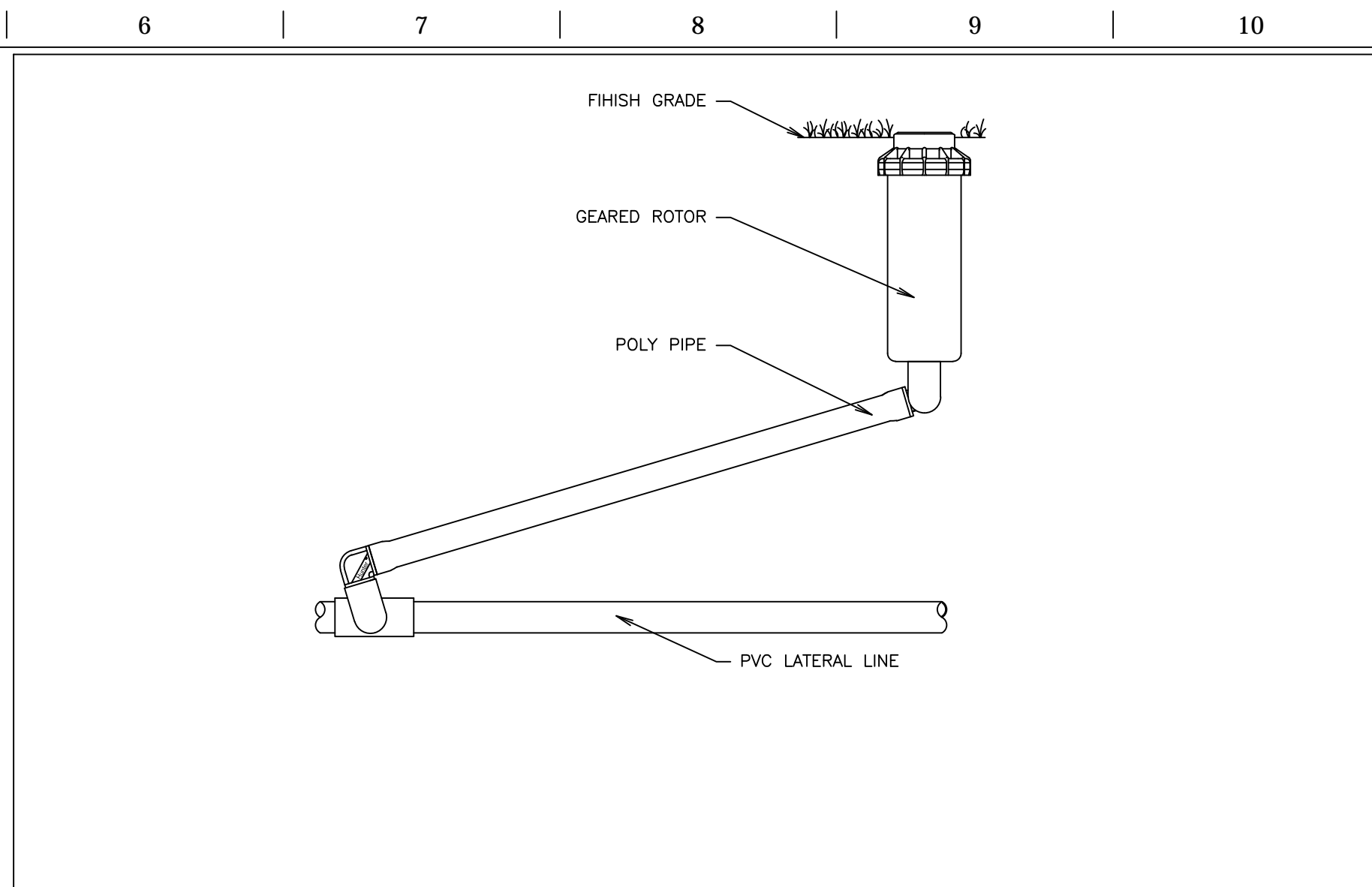


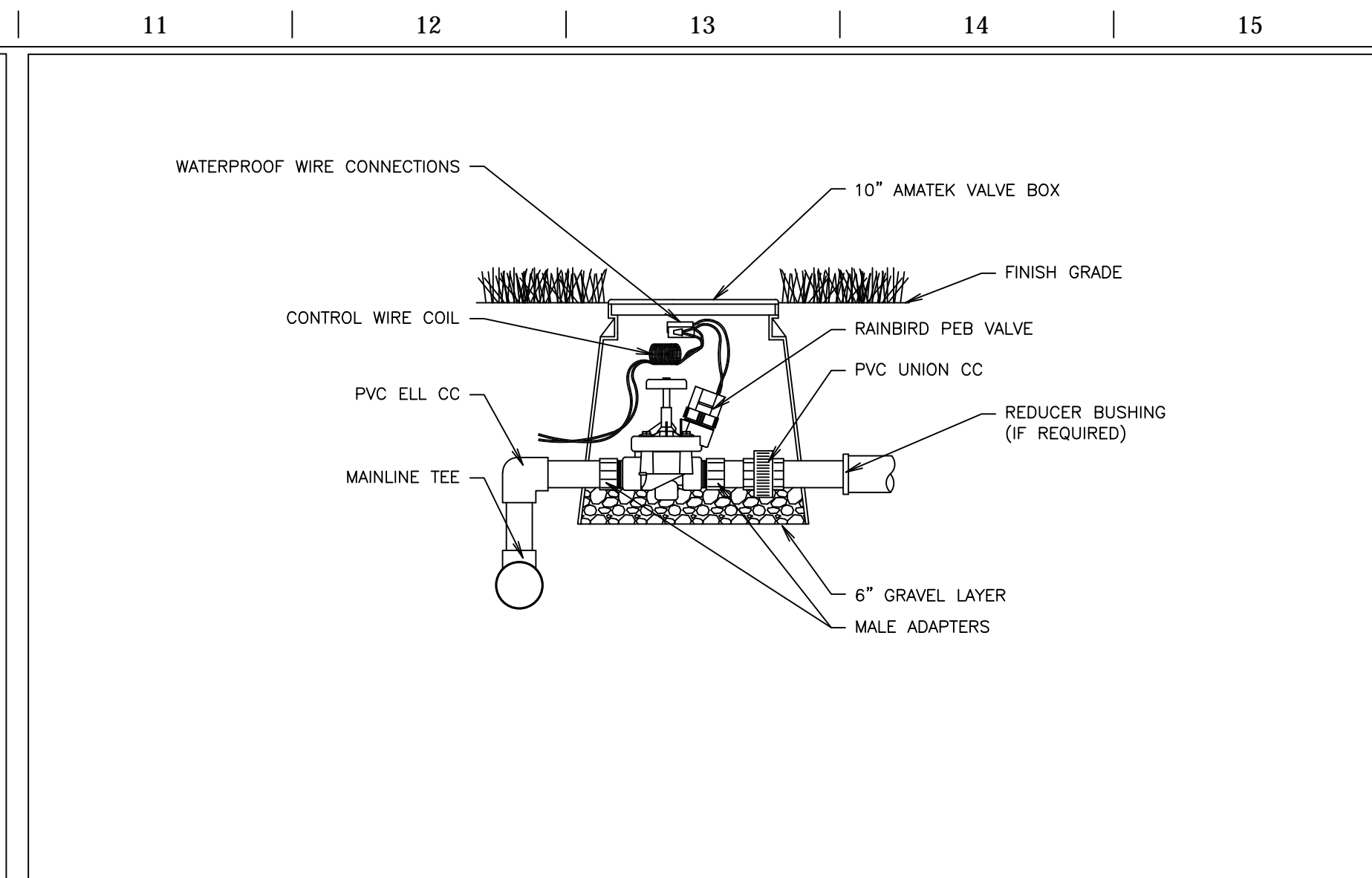
L1 DRIP IRRIGATION INSTALLATION DETAIL

NTS SN: ID001A001



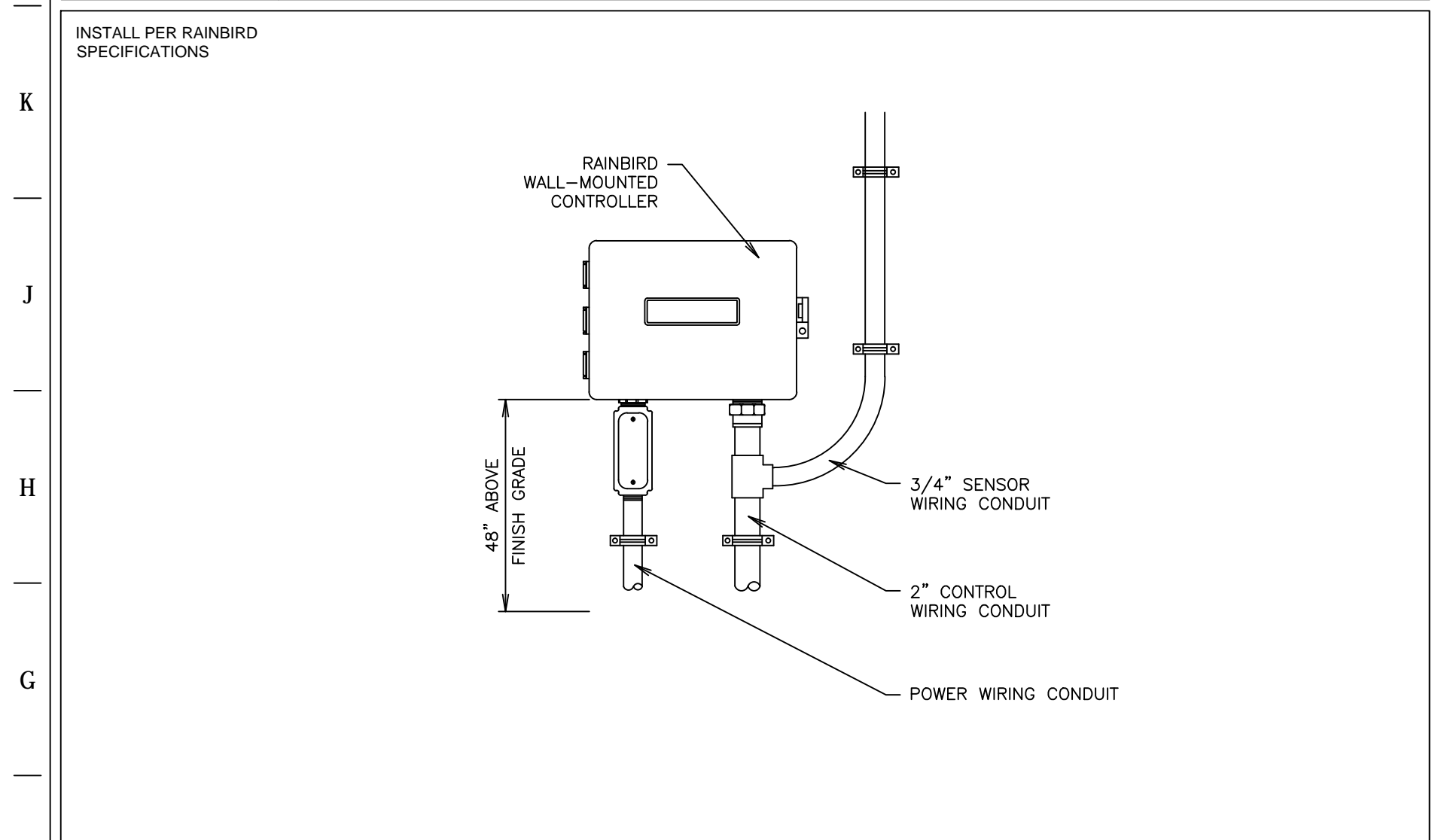
L6 ROTOR INSTALLATION DETAIL

NTS SN: ID002A001



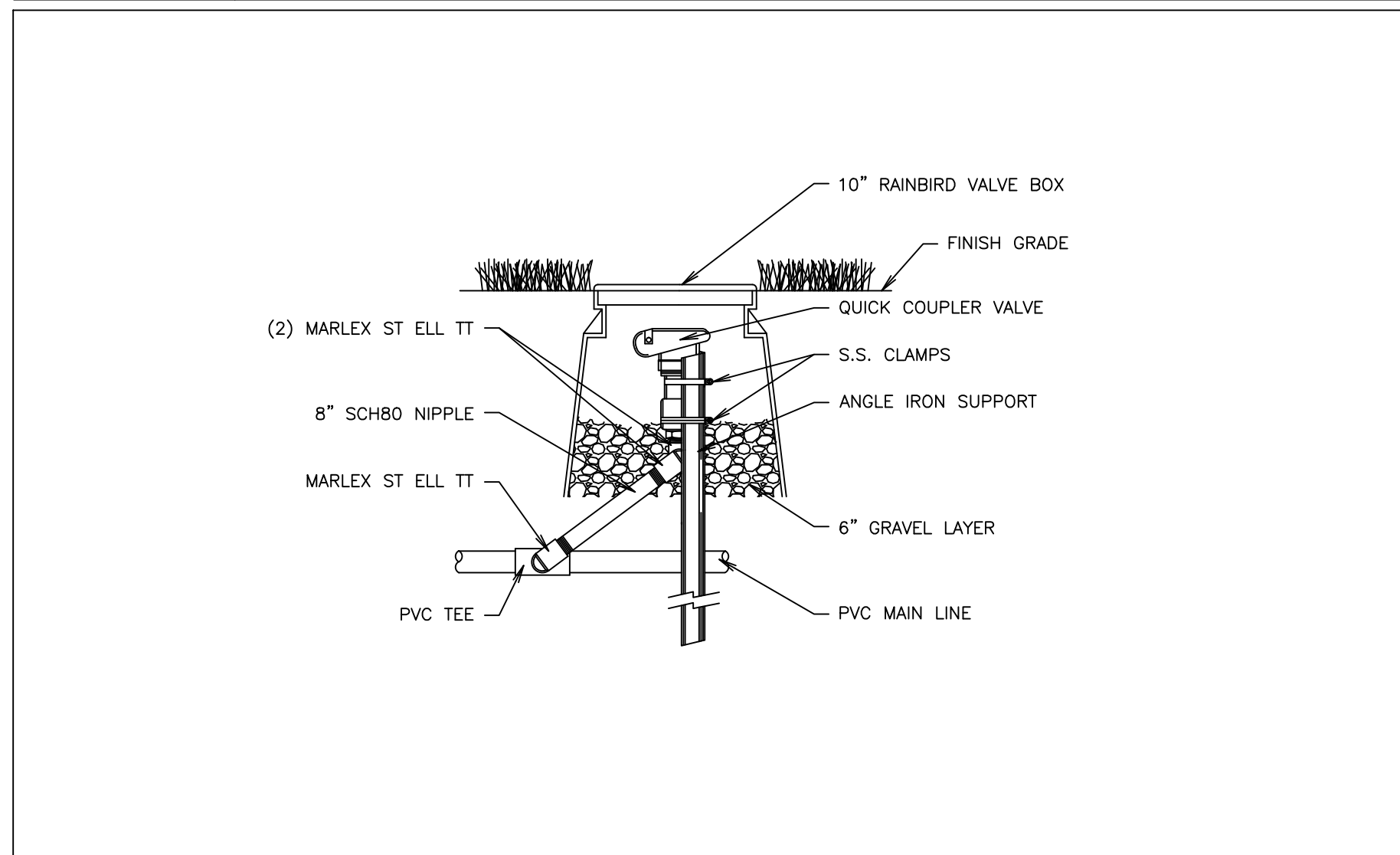
L11 ZONE VALVE ASSY. INSTALLATION DETAIL

NTS SN: ID003A001



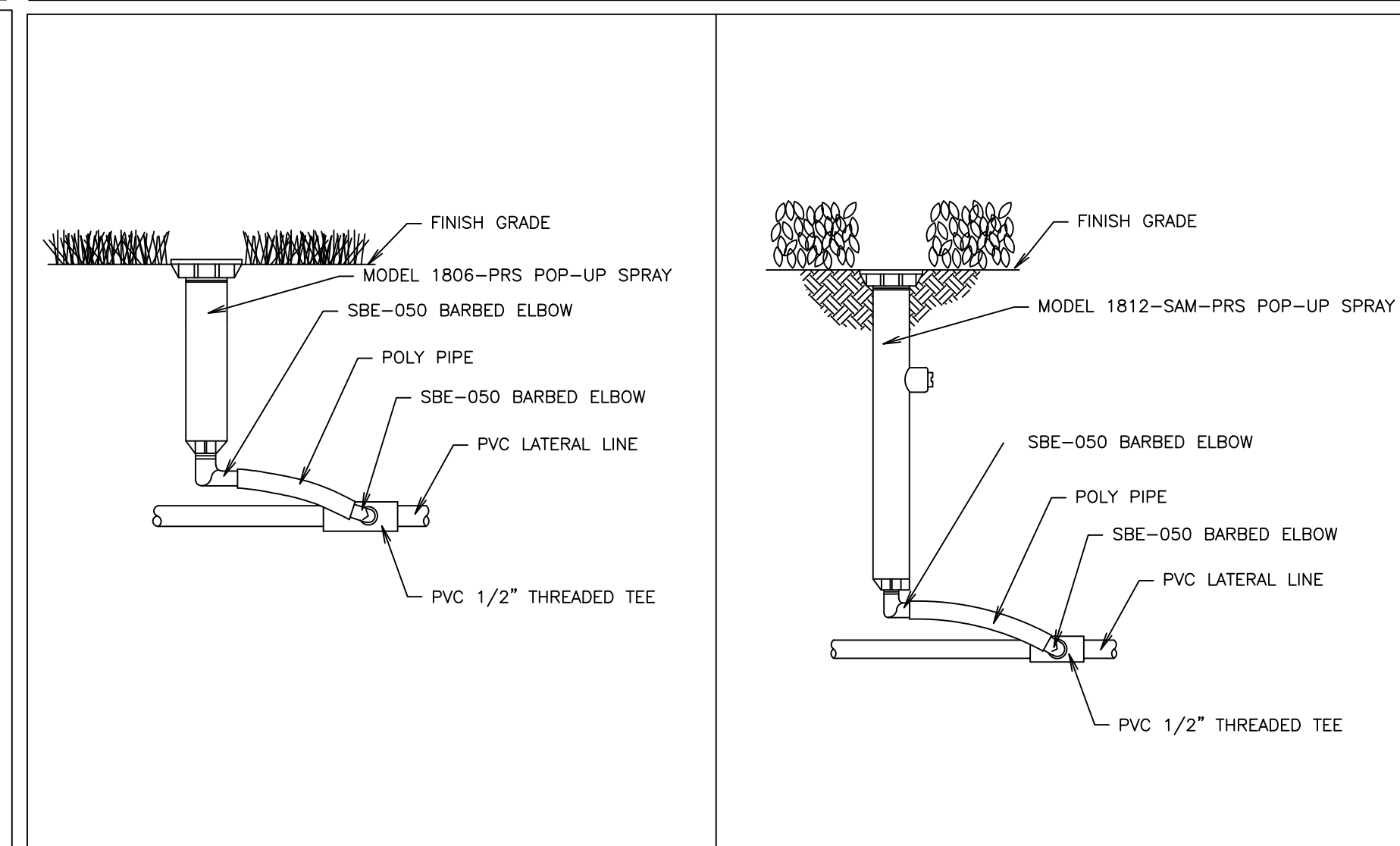
F1 WALL-MOUNT CONTROLLER INSTALLATION DETAIL

NTS SN: ID004A001



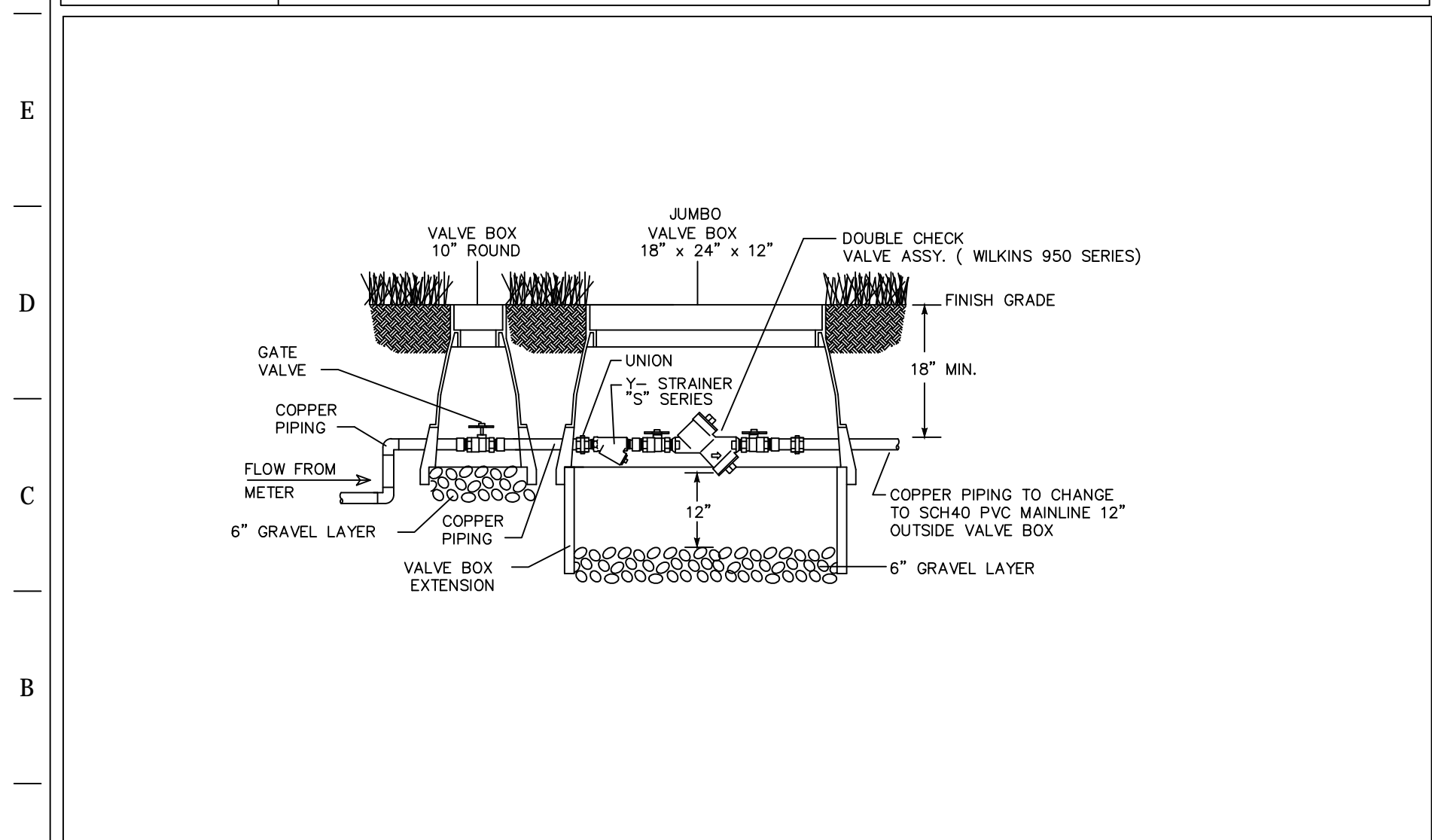
F6 QUICK COUPLING VALVE

NTS SN: ID005A001



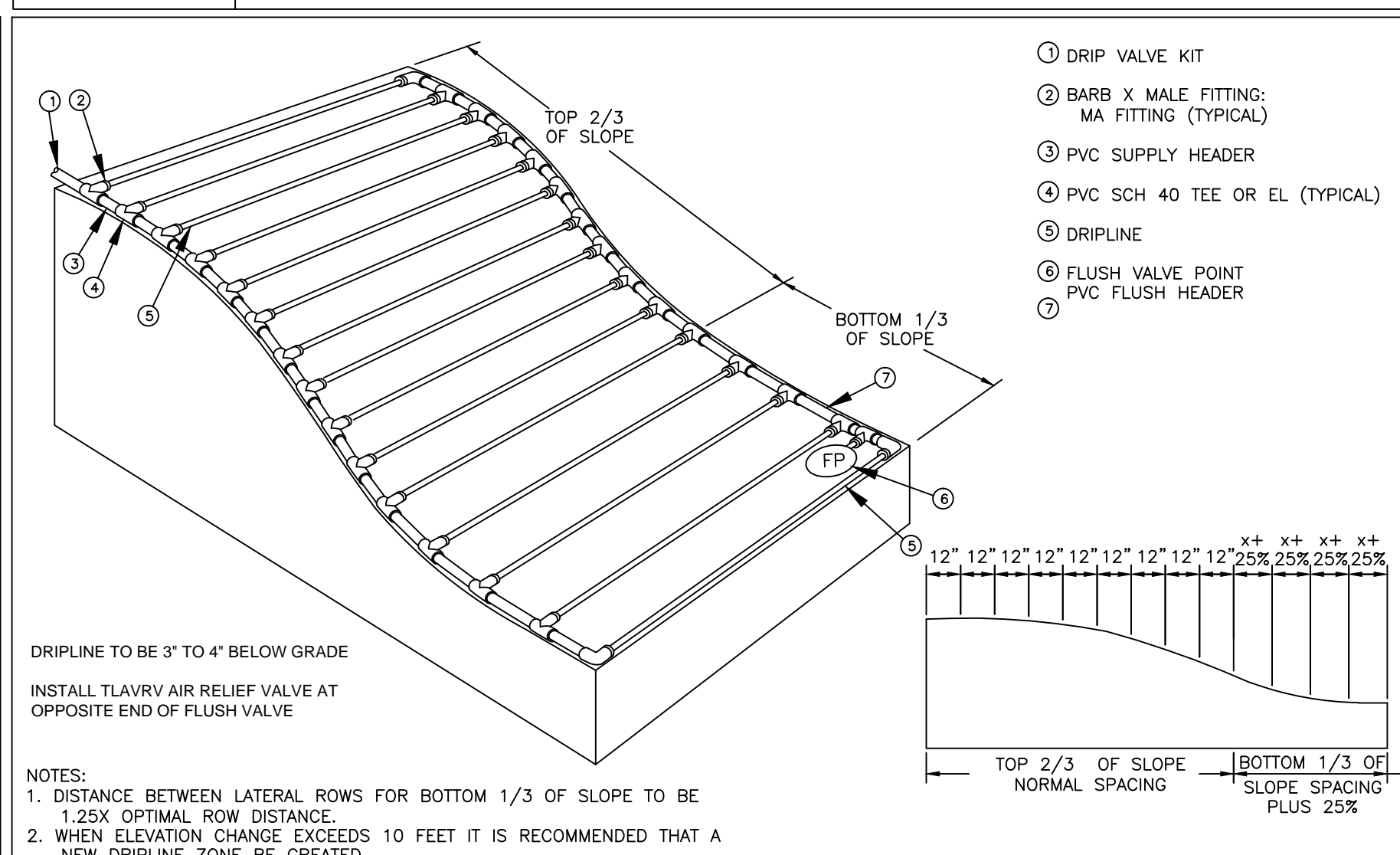
F11 6" POP-UP TURF / 12" SHRUB INSTALLATION DETAIL

NTS SN: ID006A001



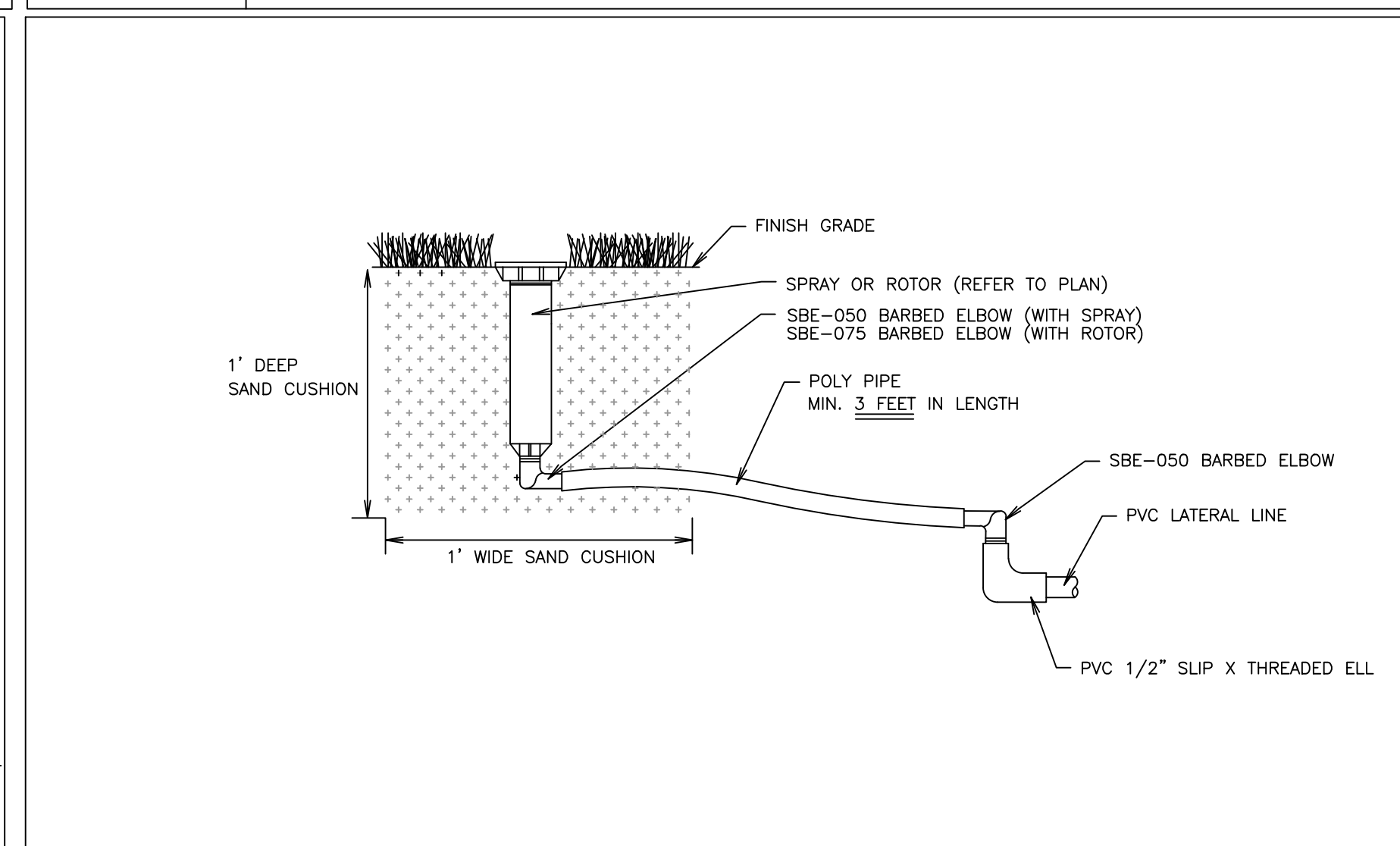
A1 BACKFLOW INSTALLATION DETAIL

NTS SN: ID006A001



A6 DRIP IRRIGATION INSTALLATION (SLOPES) DETAIL

NTS SN: ID001A00X



A11 DRIVE TURNS -SPRAY OR ROTOR INSTALLATION DETAIL

NTS SN: ID006A001

DATE: 06-23-16 SIGNED
SIGNATURE DATE: For Permit Only

TID, INC.
5646 MILTON STREET
SUITE 711
DALLAS, TX 75206
O: 214-660-9399
F: 214-722-0237

QuikTrip No. 0675
140 FALLON LOOP ROAD
O'FALLON, MISSOURI 63368

© COPYRIGHT QUIKTRIP CORPORATION 2012
ANY UNAUTHORIZED USE, REPRODUCTION,
PUBLICATION, DISTRIBUTION, OR SALE IN
WHOLE OR IN PART, IS STRICTLY FORBIDDEN.

PROTOTYPE: P-86
DIVISION: 06
VERSION: 001
DESIGNED BY: SEH
DRAWN BY: SEH
REVIEWED BY: TID

| REV | DATE | DESCRIPTION |
|-----|------|-------------|
| | | |
| | | |
| | | |
| | | |
| | | |
| | | |
| | | |
| | | |
| | | |

SHEET TITLE:
IRRIGATION DETAILS

SHEET NUMBER:
L510