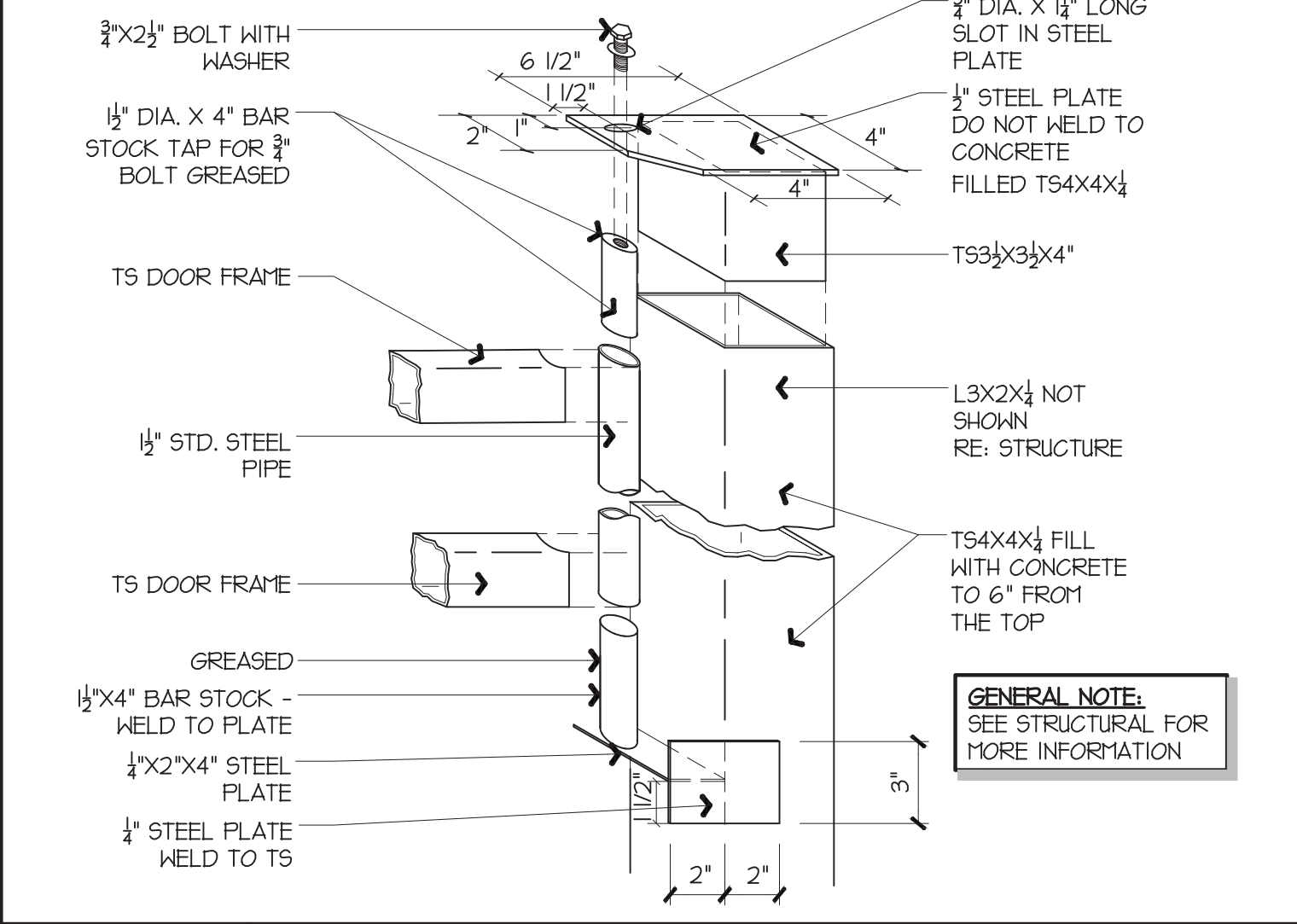


01 FLASHING DETAIL

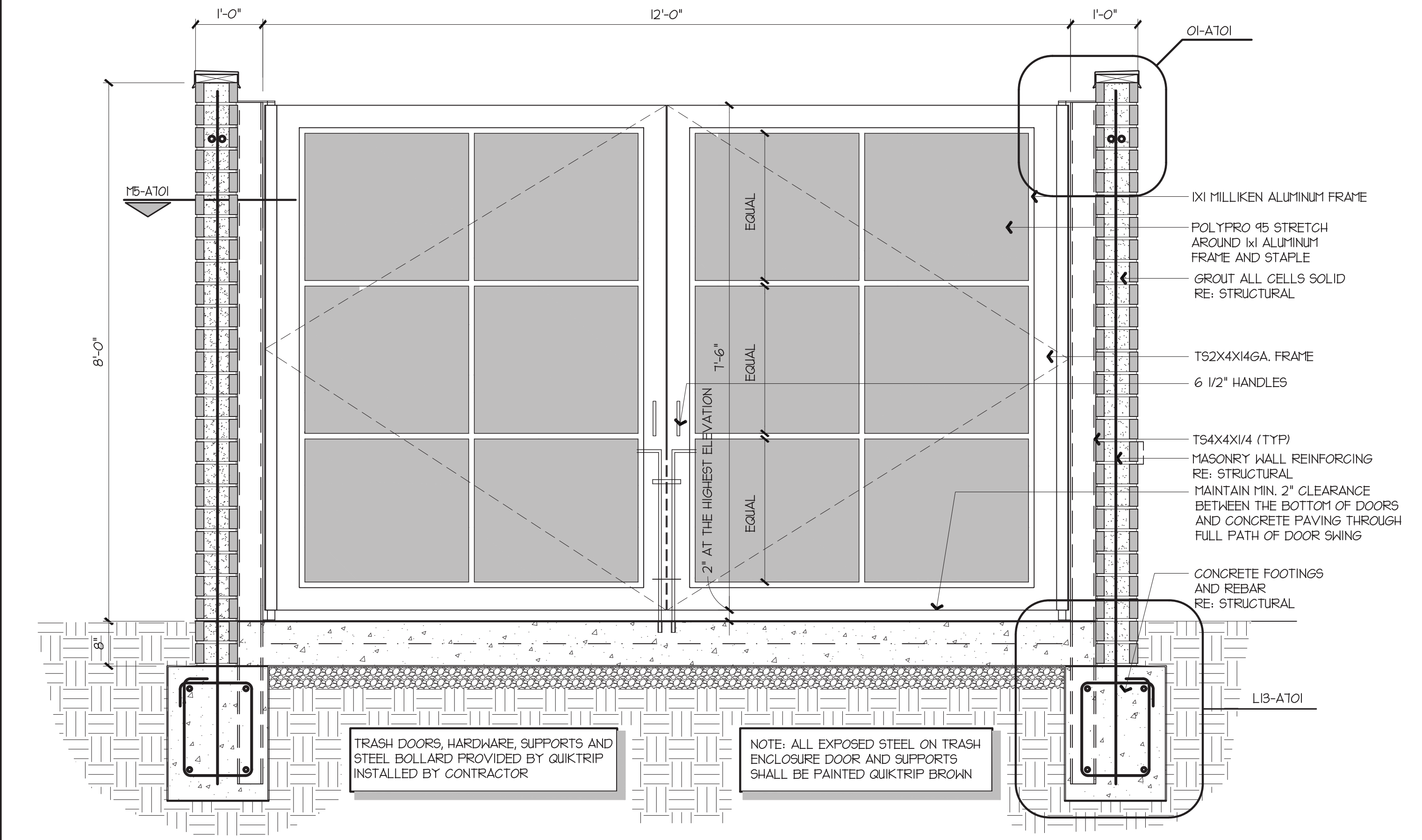
1/2" = 1'-0" A1-A701



J1 GATE POST JAMB

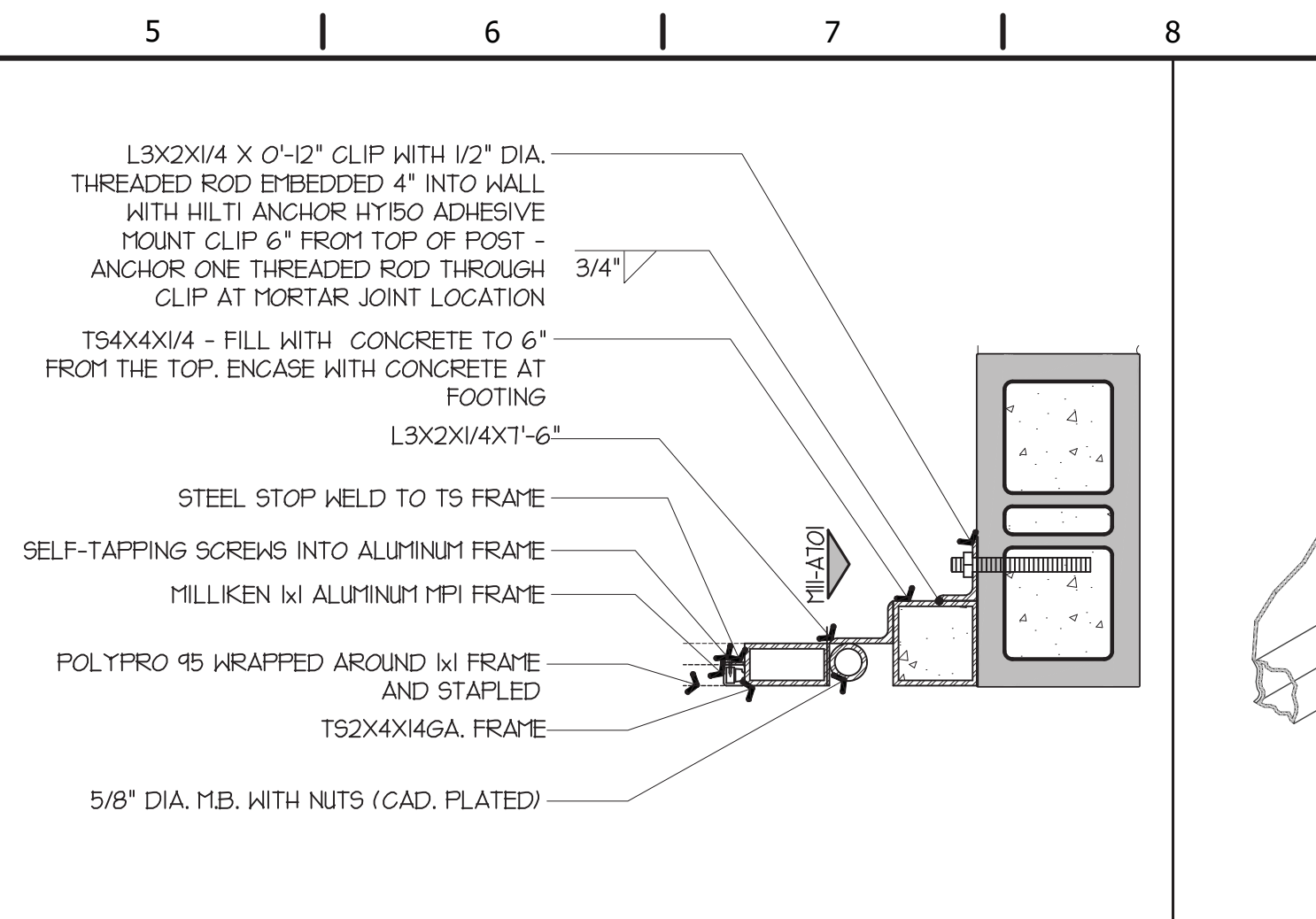
N.T.S. G13, A13-A701

NOTES:
FLASHING FOR ROHLLOCK NERVASTRAL SEAL-PRUF HD 201L MANUFACTURED BY NERVASTRAL, INC. GREENWICH, CT 811-599-1881. INSTALL PER MANUFACTURER'S SPECIFICATIONS.
GC TO PROVIDE STEEL PIPE PTD QT BROWN FOR GAS STICK STORAGE. SEE QT INSTALL DWGS FOR MORE INFO.



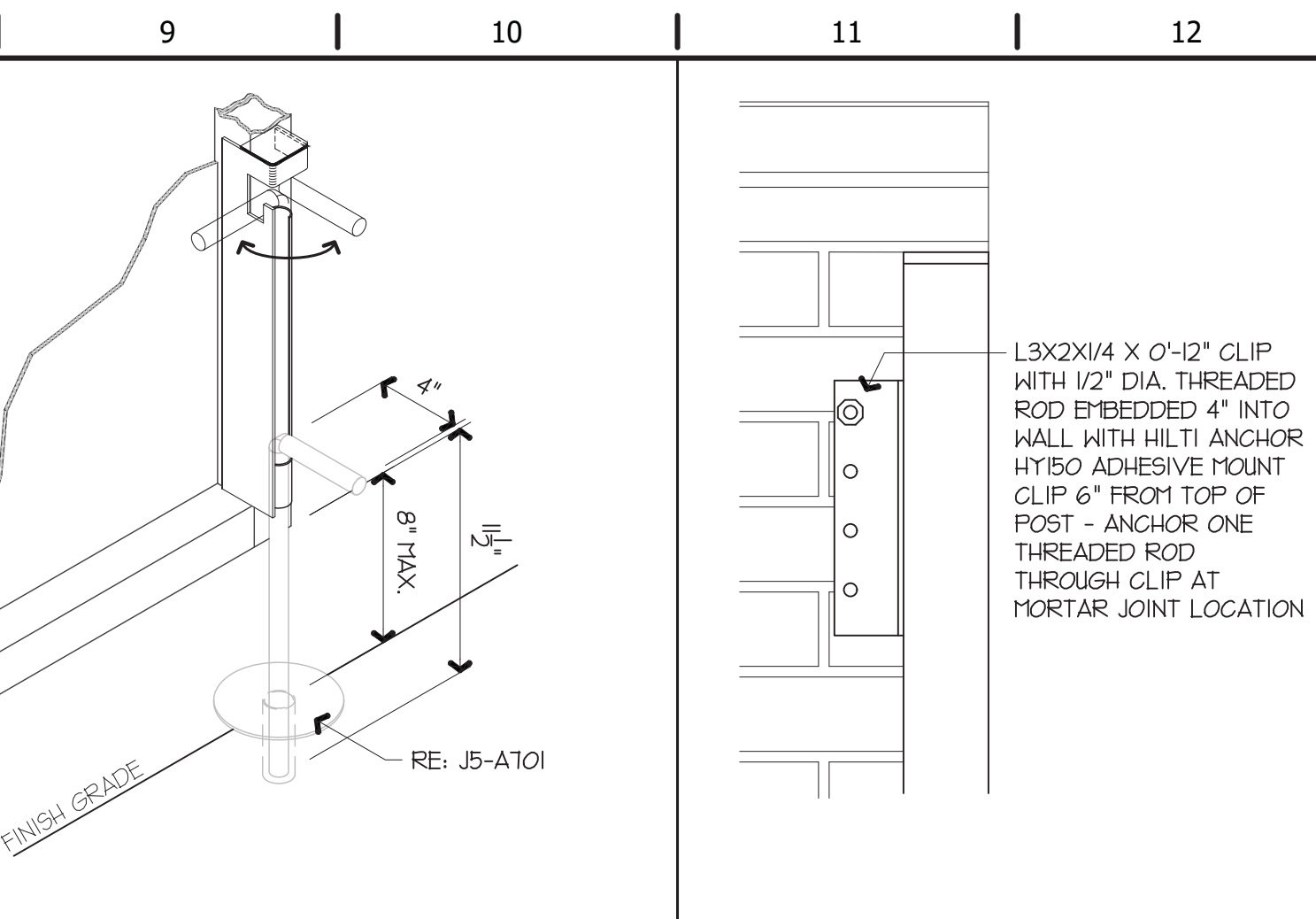
A1 TRASH ENCLOSURE SECTION

1/2" = 1'-0" A1-A101, A13, G9-A701



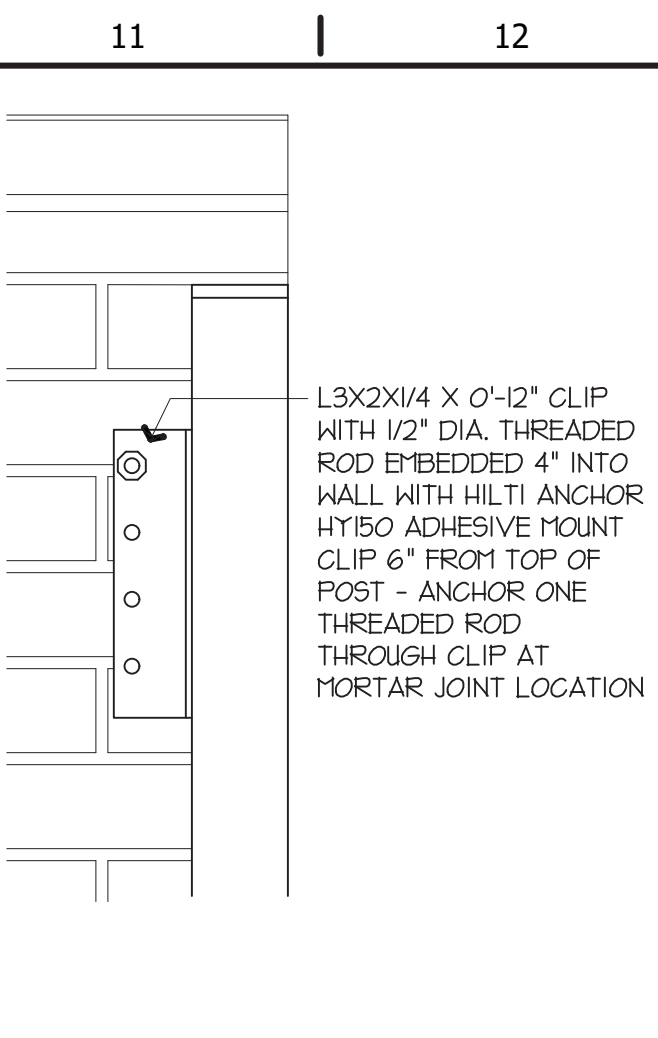
M5 GATE JAMB

1/2" = 1'-0" A1, G13-A701



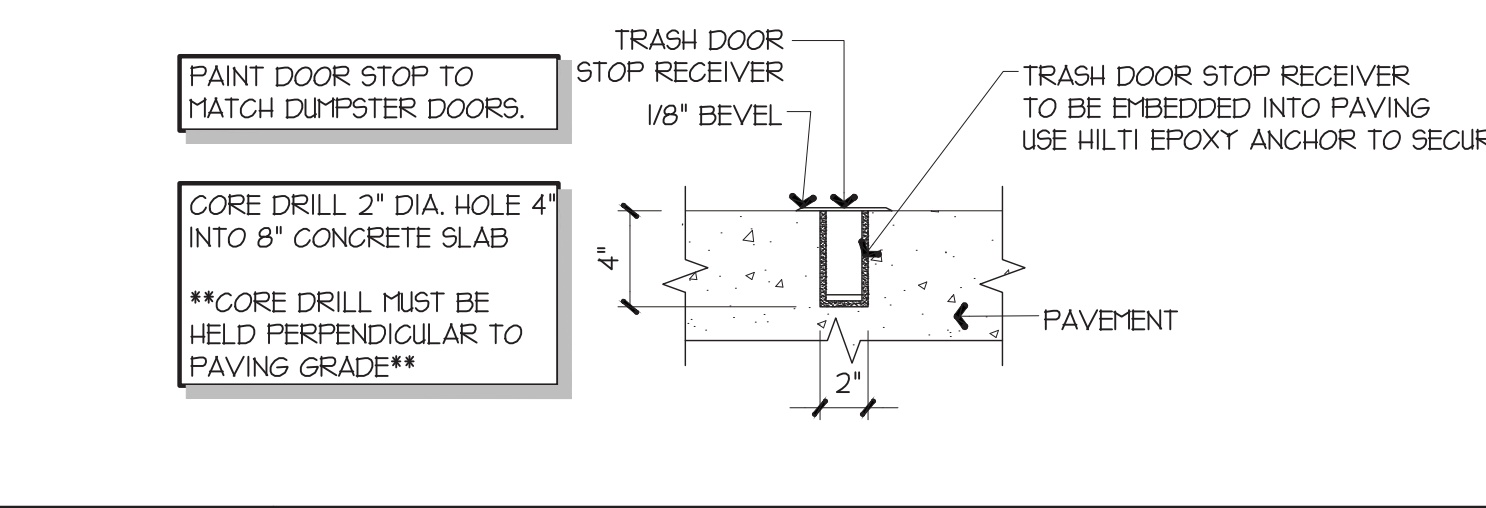
M9 DOOR HOLD OPEN DETAIL

1/2" = 1'-0" A13-A701



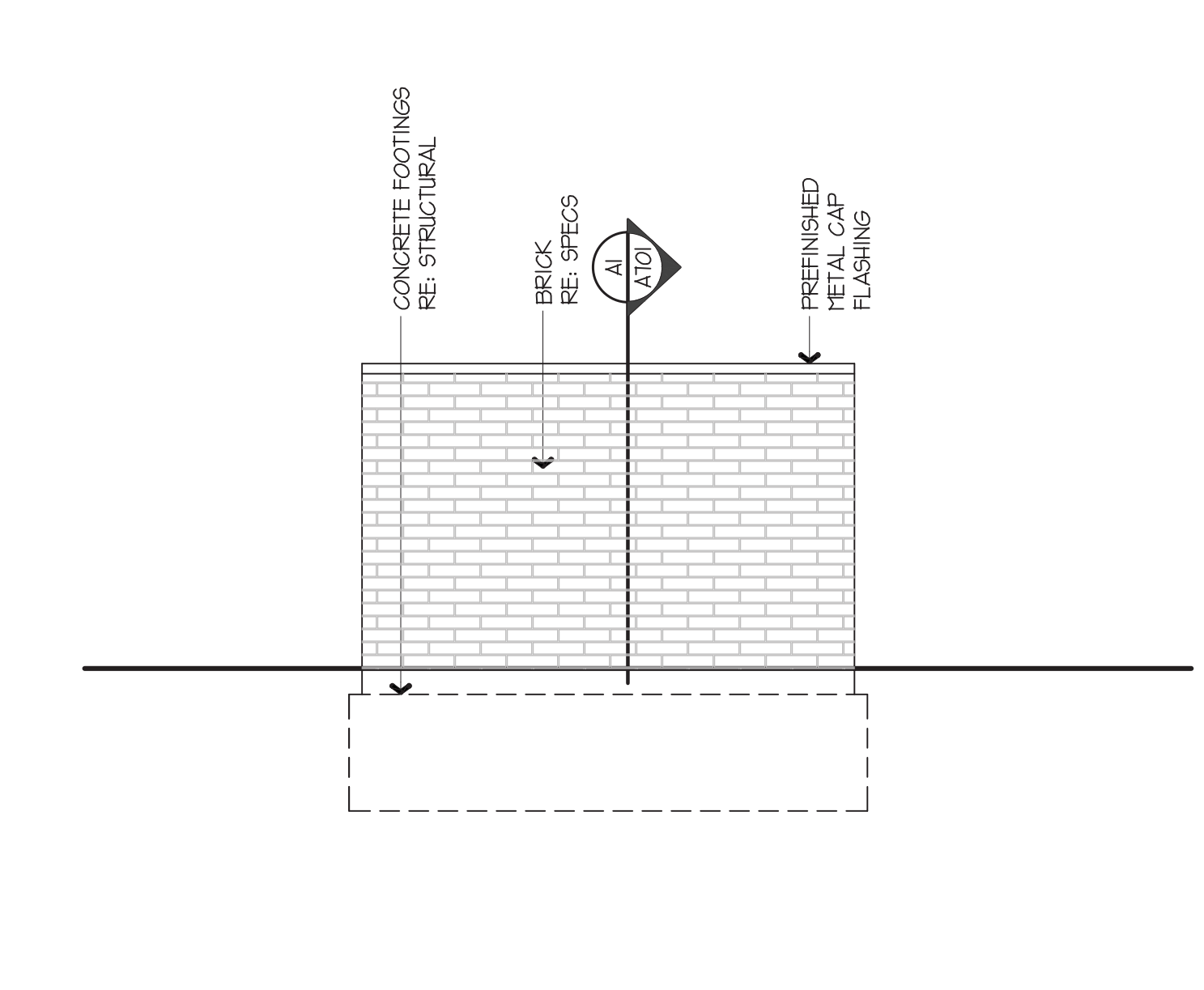
M11 ELEVATION

1/2" = 1'-0" M5-A701



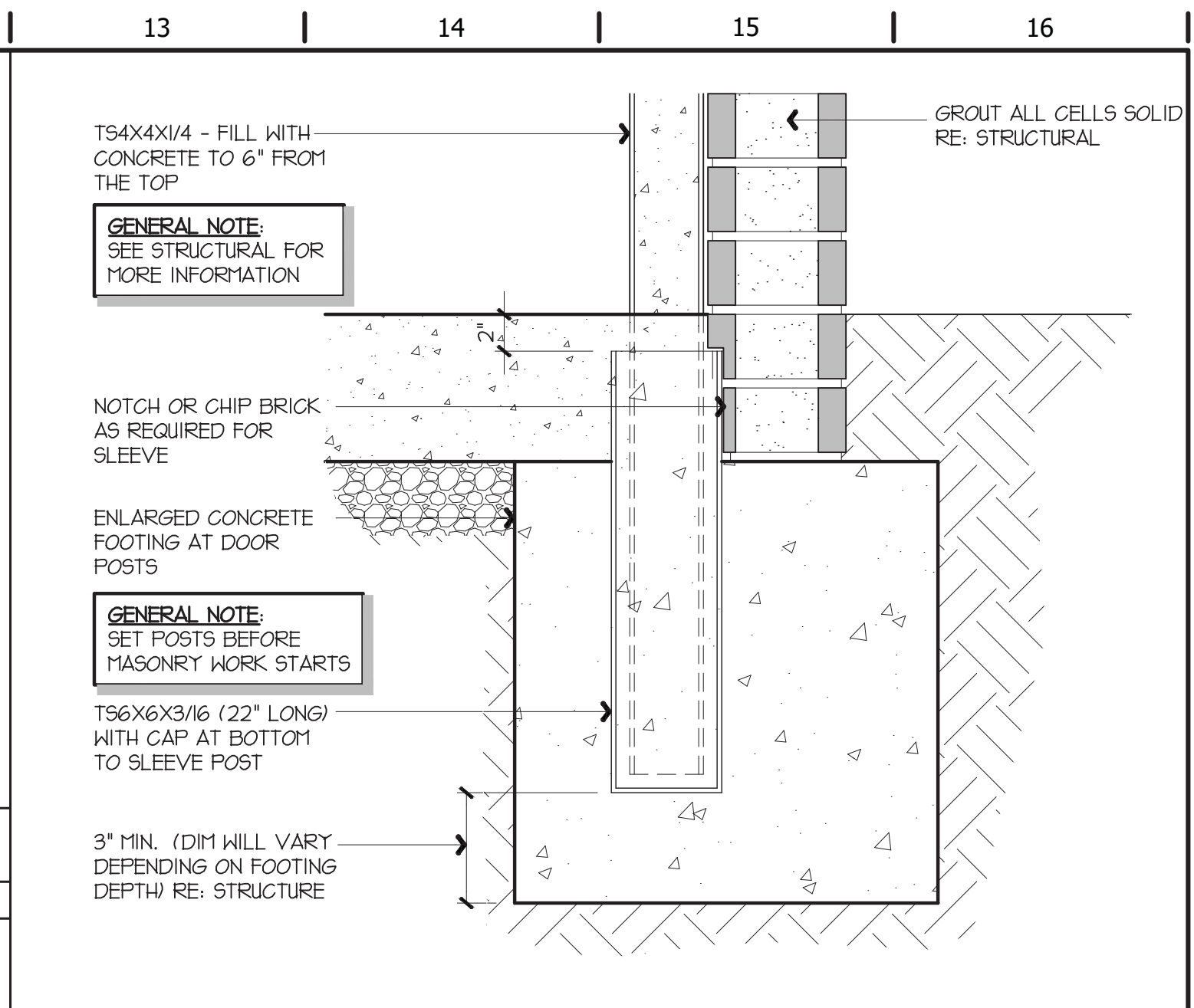
J5 DOOR HOLD OPEN DETAIL

1/2" = 1'-0" A13, M9-A701



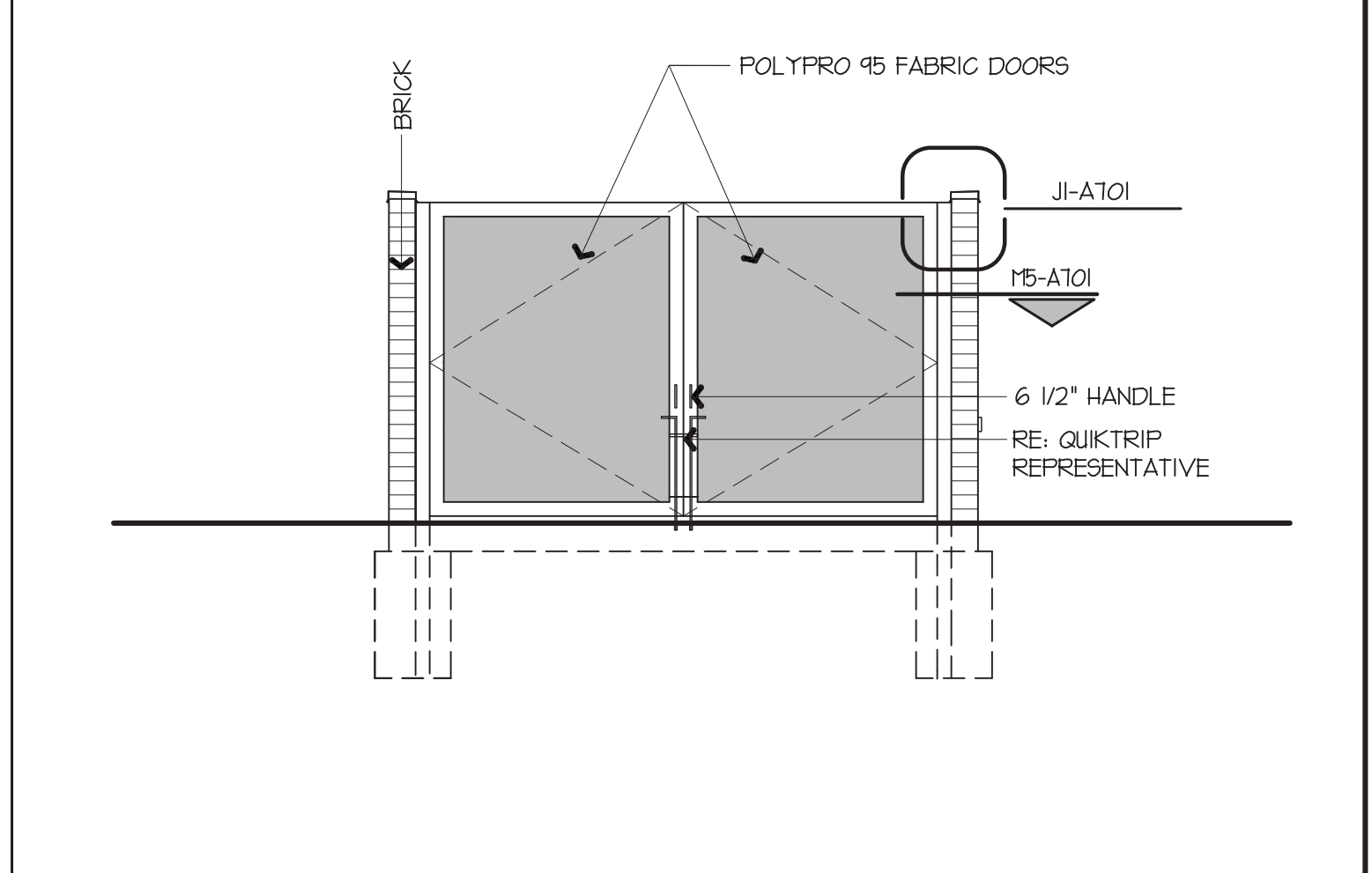
G9 TRASH ENCLOSURE SIDE ELEVATION

1/2" = 1'-0" A13-A701



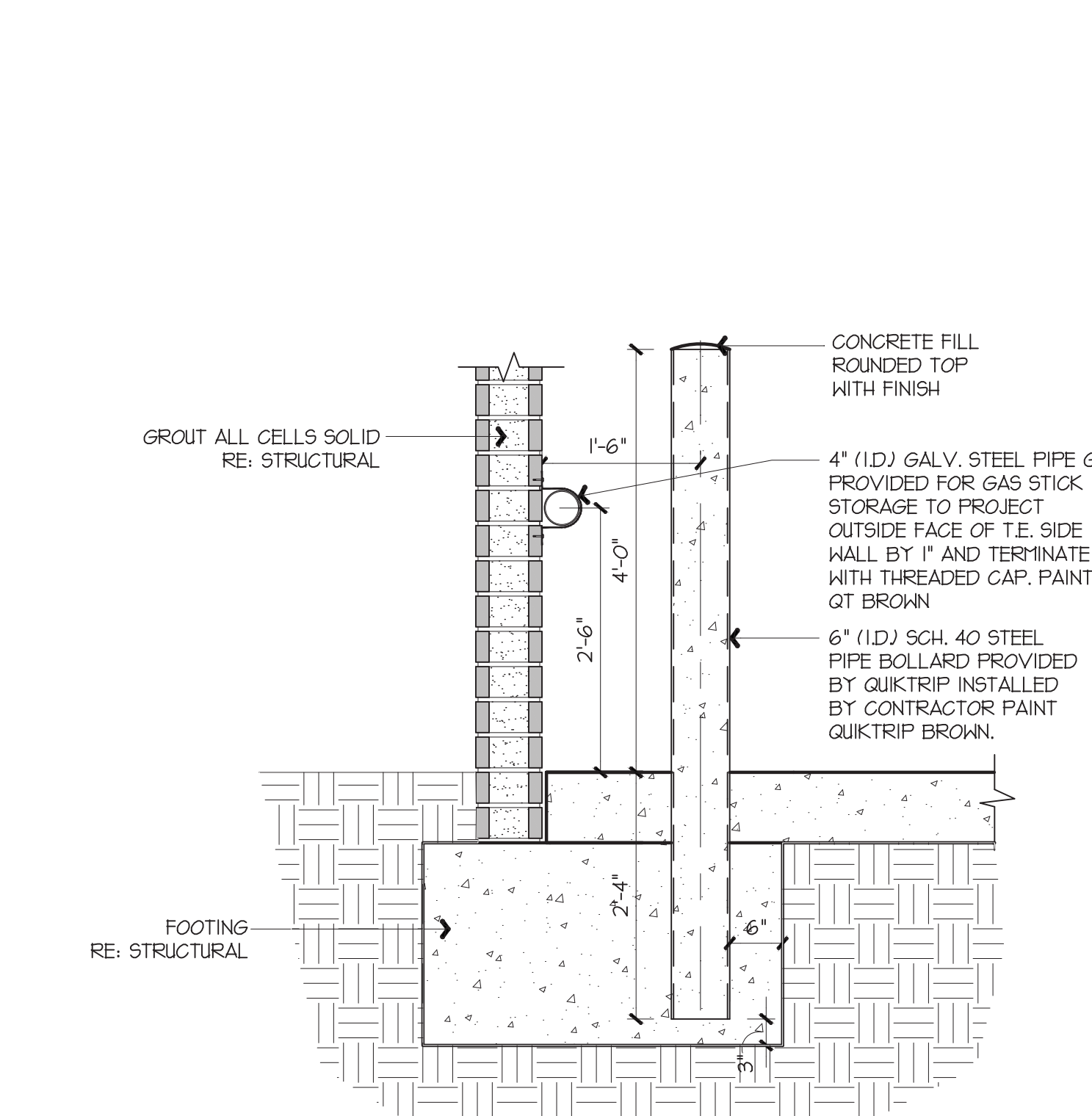
L13 DOOR POST DETAIL

1/2" = 1'-0" A1-A701



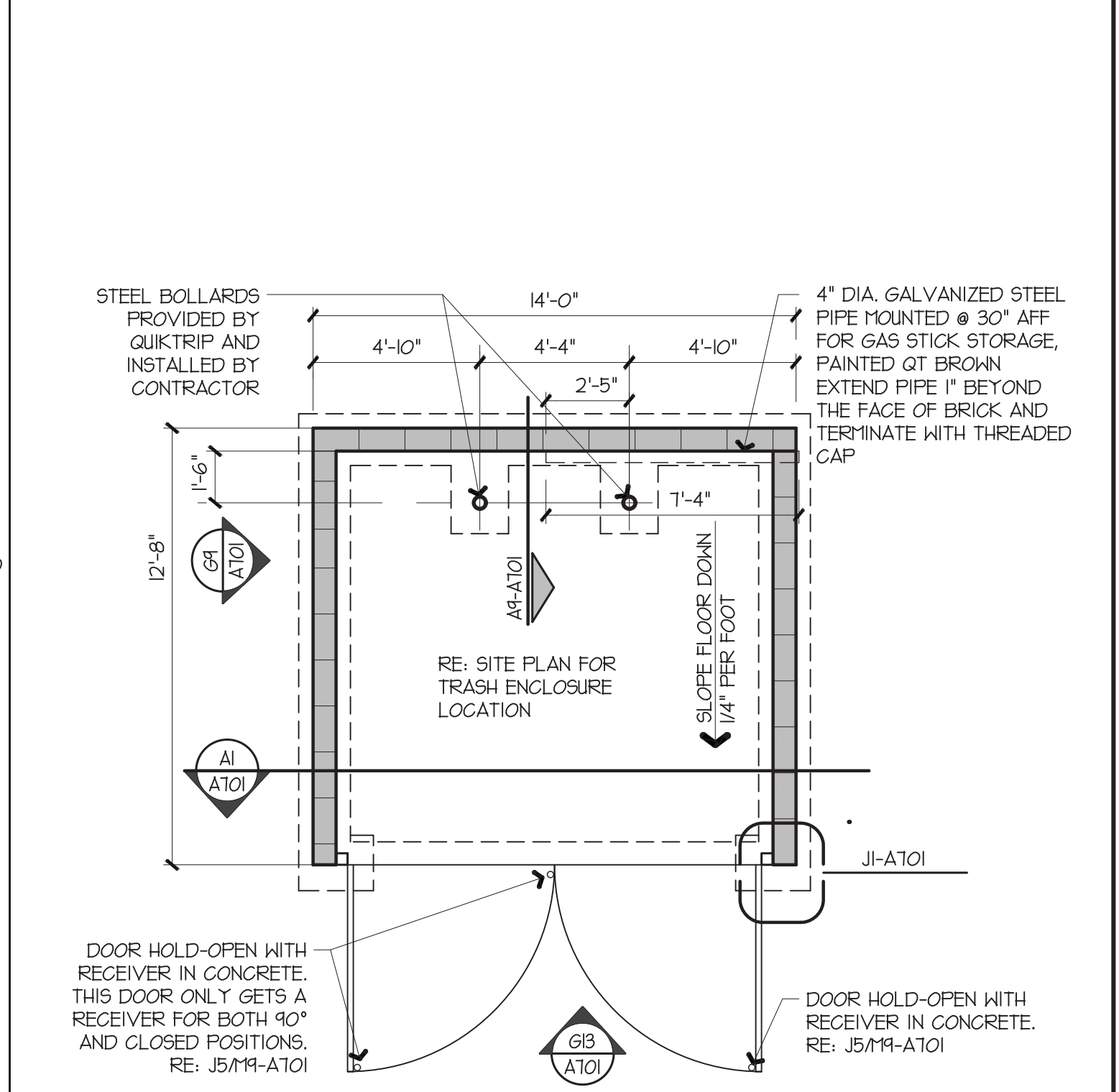
G13 TRASH ENCLOSURE FRONT ELEVATION

1/2" = 1'-0" A13-A701



A9 BOLLARD DETAIL

1/2" = 1'-0" A13-A701



A13 TRASH ENCLOSURE PLAN

1/2" = 1'-0" A1-A101

STATE OF MISSOURI
REGISTERED ARCHITECT
LICKEL ARCHITECTURE
14 West 3rd Street, Suite 100
Kansas City, MO 64105
(816) 421-0707
(816) 421-0223

QuikTrip No. 0675
140 FALLON LOOP ROAD
OF FALLON, MISSOURI

QT
QUIKTRIP CORPORATION
PROTOTYPE P-86
DIVISION ST. LOUIS
VERSION GEN III
DATE 02-01-2016

REV	DATE	DESCRIPTION

SHEET TITLE:
TRASH ENCLOSURE

SHEET NUMBER:
A701