

YIELD STRESS = 33 KSI  
 $I_p = 0.155 \text{ in}^4$   
 $I_n = 0.183 \text{ in}^4$   
 $S_p = 0.186 \text{ in}^3$   
 $S_n = 0.142 \text{ in}^3$   
 MINIMUM DIAPHRAGM SHEAR CAPACITY:  
 WELDED CONNECTIONS = 445 PLF  
 POWDER DRIVEN FASTENER CONNECTIONS = 526 PLF

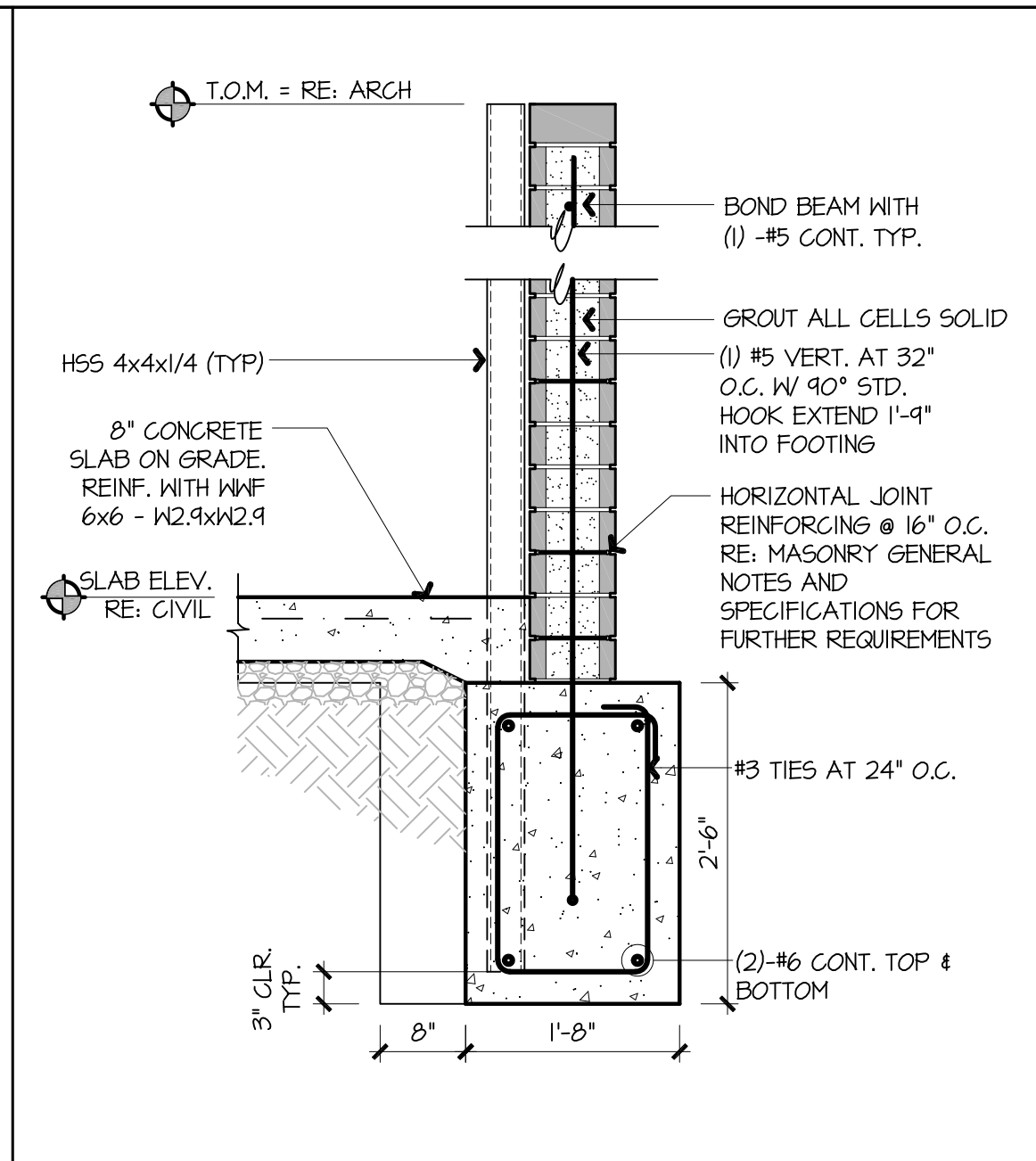
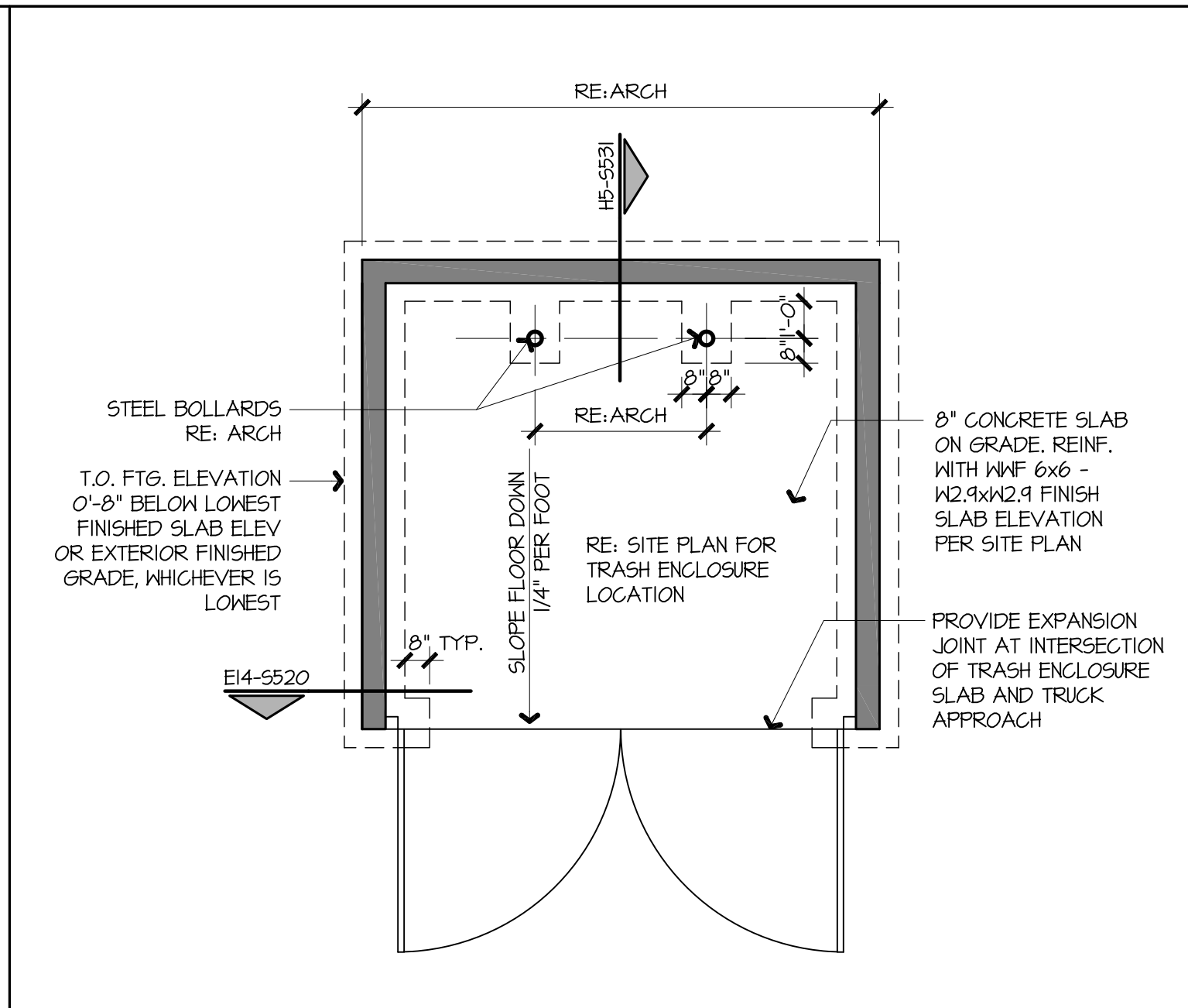
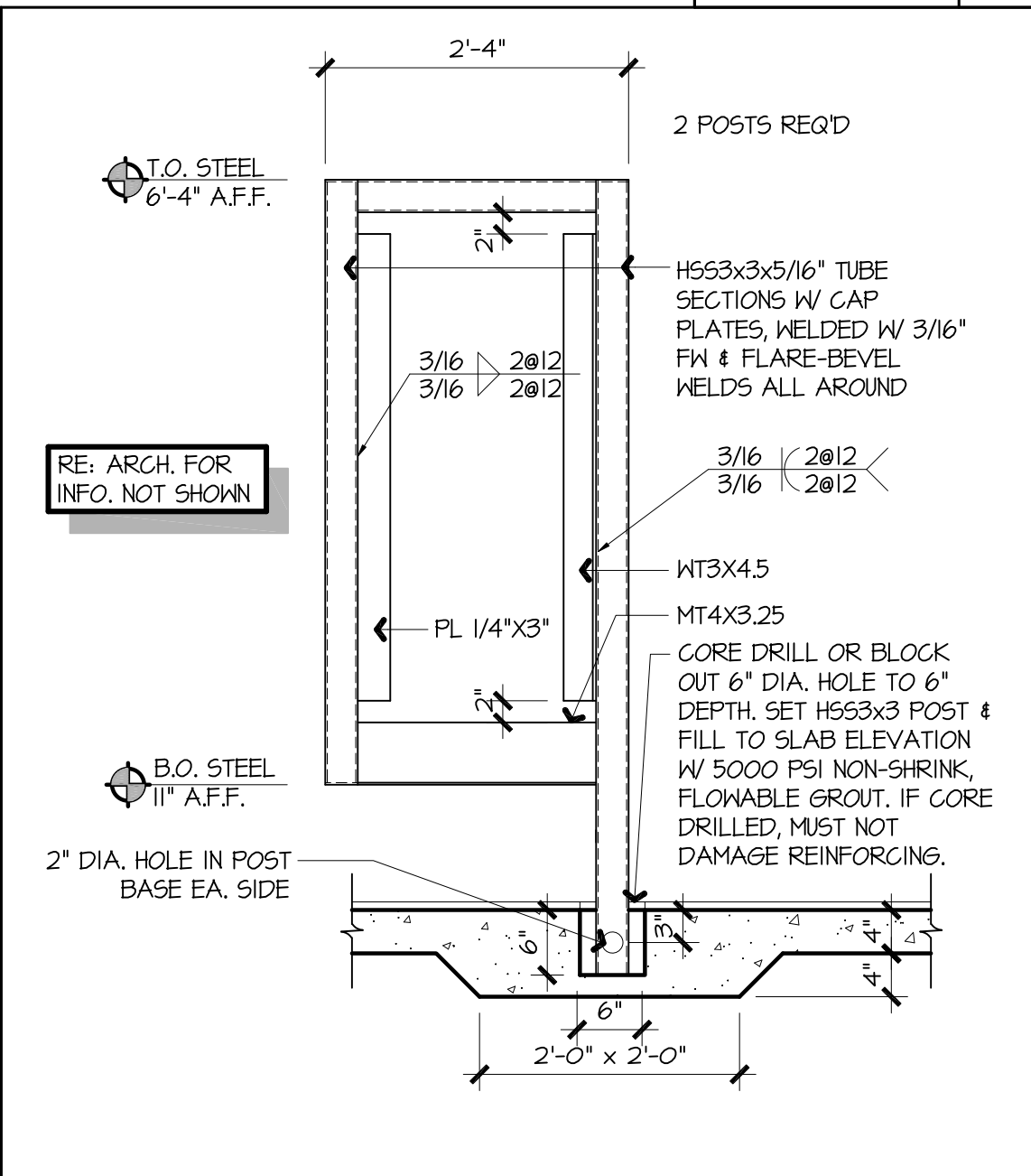
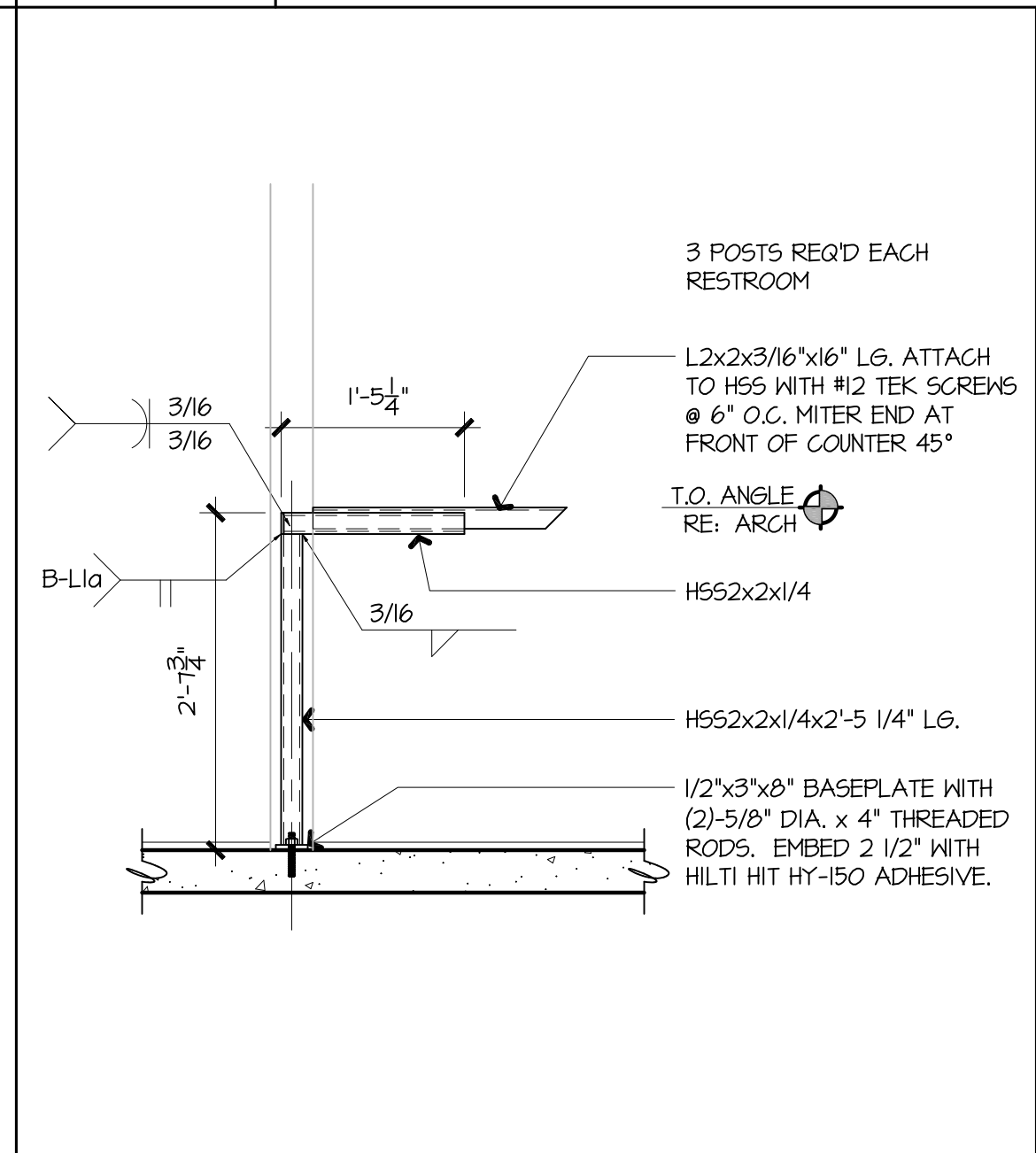
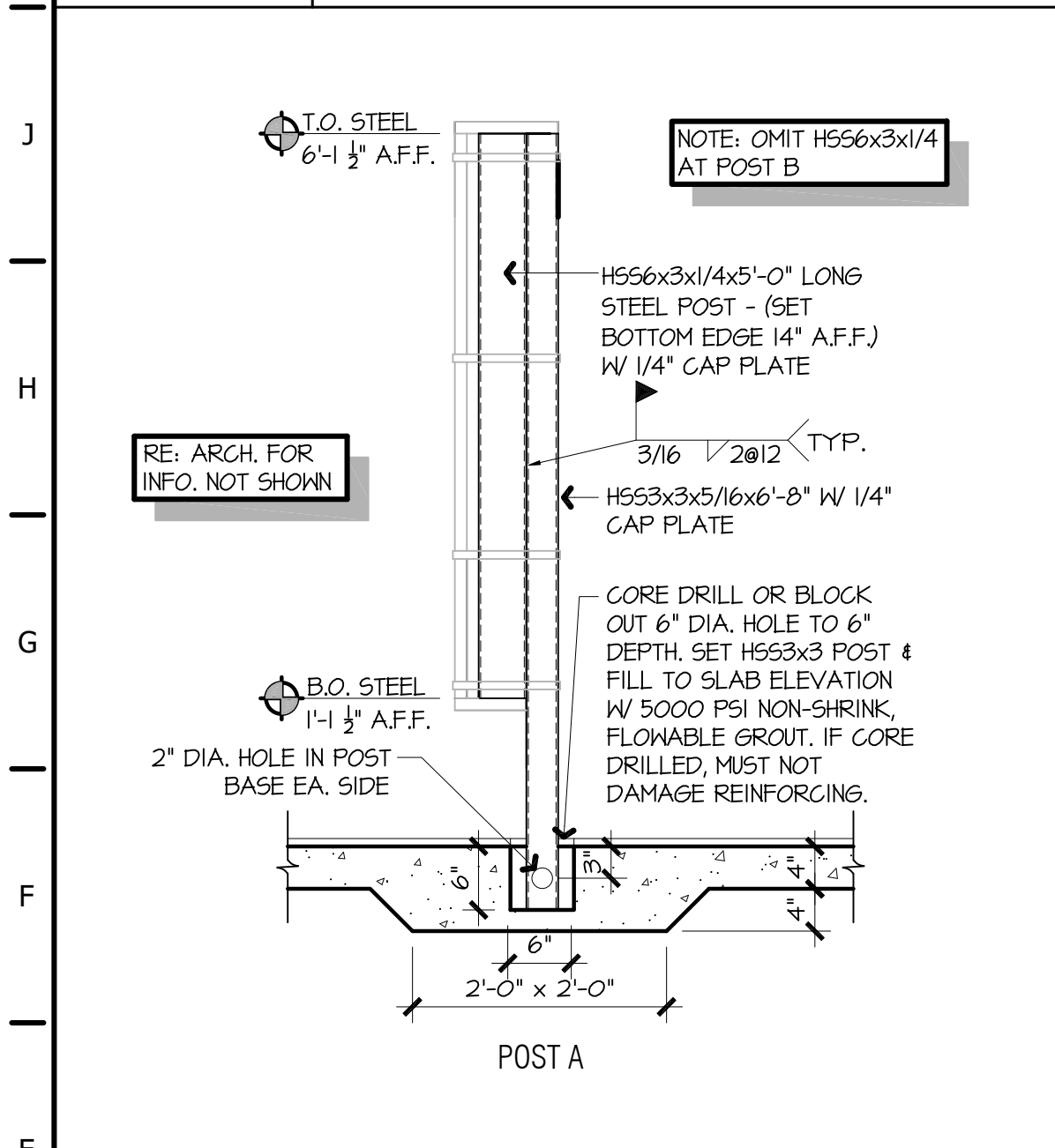
RODNEY W. SOMMER - P.E.  
 MO# 020991

SIGNATURE DATE: 4-13-16

**Norton & Schmidt**  
 Consulting Engineers, L.L.C.  
 North Kansas City, MO • Atlanta, GA  
 311 East 11th Avenue  
 North Kansas City, MO 64116  
 Phone: (816) 421-4232  
 Fax: (816) 421-1996  
 www.nortonschmidt.com  
 N&S JOB NUMBER: 2016-0663  
 © 2016 Norton & Schmidt Consulting Engineers  
 NO CERT. OF AUTH. # 2008019746

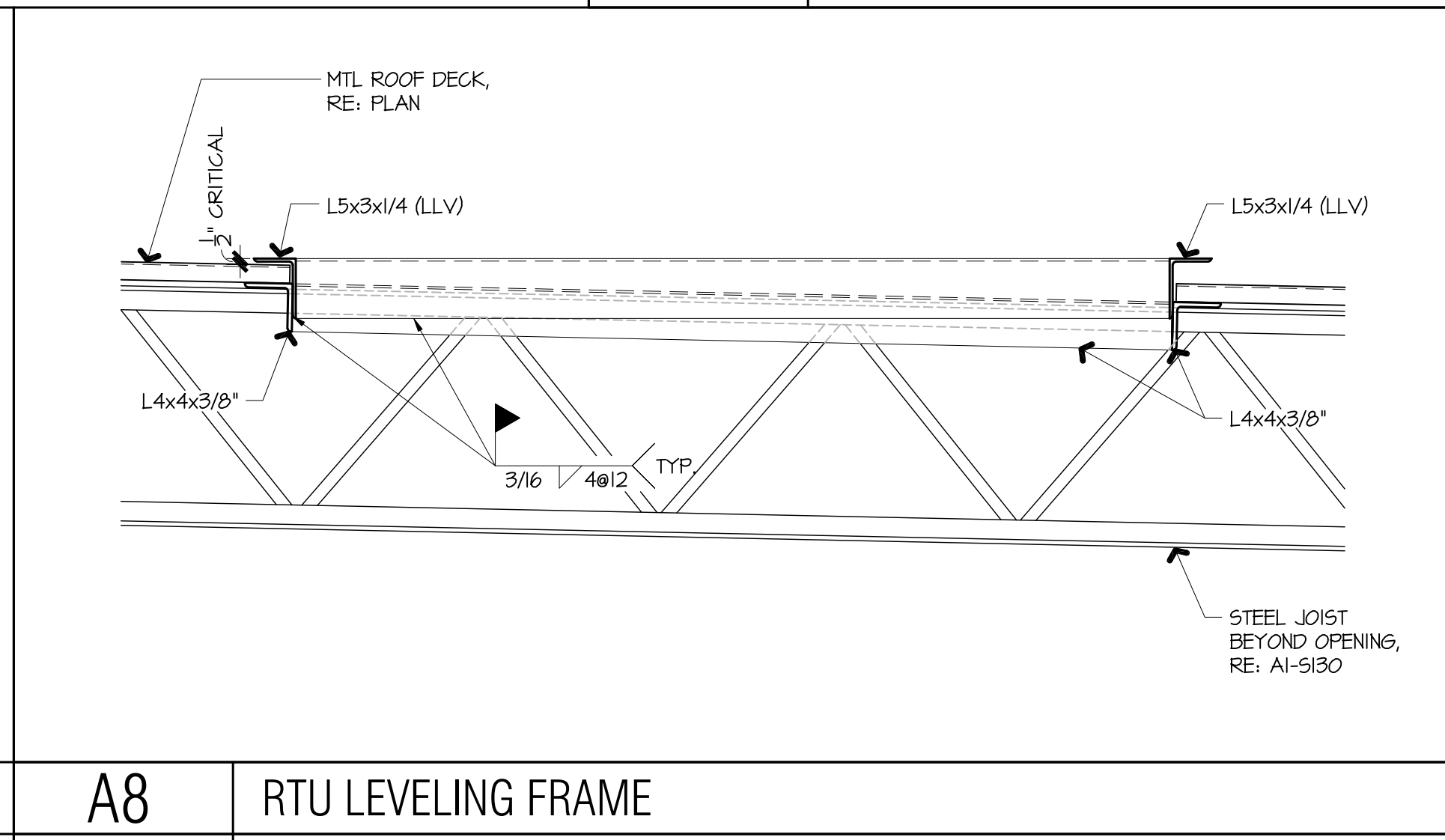
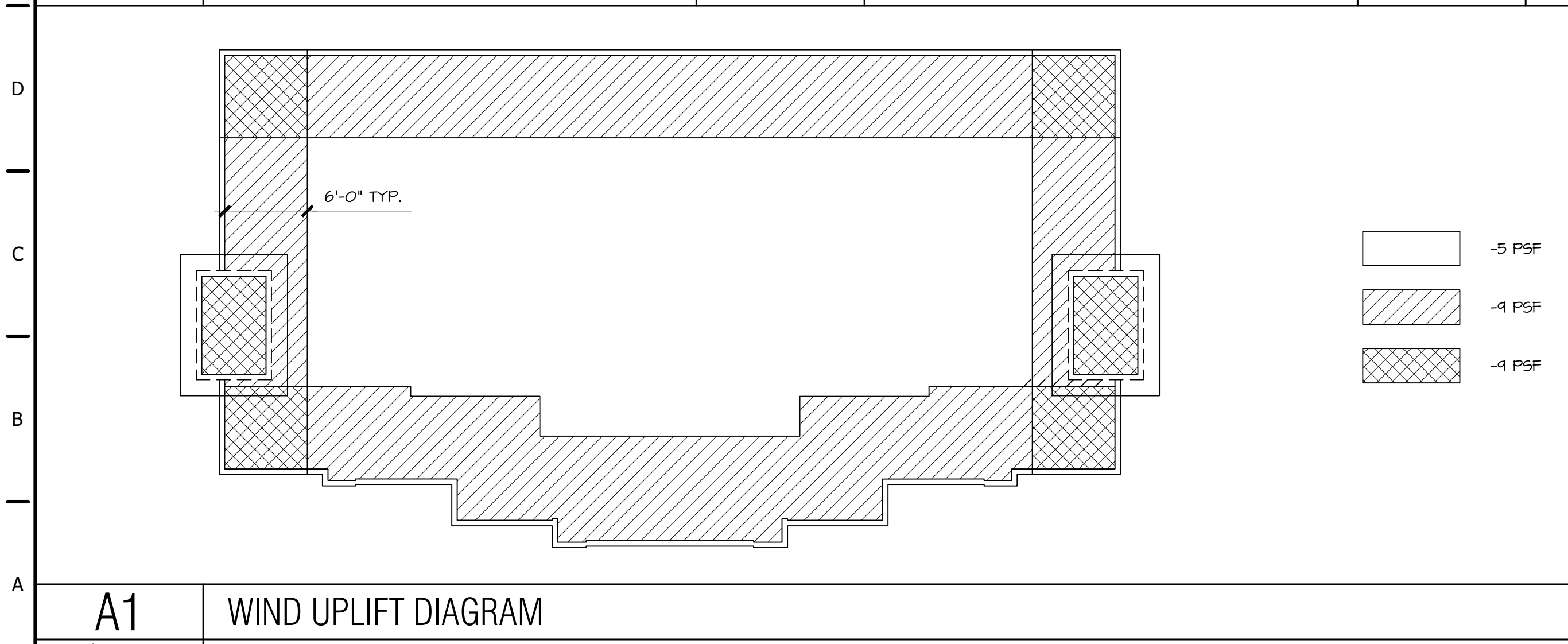
**QuikTrip No. 0675**  
 140 FALLON LOOP ROAD  
 OF FALLON, MISSOURI

|    |          |    |                                |    |          |
|----|----------|----|--------------------------------|----|----------|
| K1 | NOT USED | K4 | ROOF DIAPHRAGM<br>1/2" = 1'-0" | K9 | NOT USED |
|----|----------|----|--------------------------------|----|----------|



|    |                                |    |                                 |    |                                    |     |                                      |     |  |
|----|--------------------------------|----|---------------------------------|----|------------------------------------|-----|--------------------------------------|-----|--|
| E1 | PARTITION POST<br>1/2" = 1'-0" | E4 | COUNTER SUPPORT<br>1/2" = 1'-0" | E7 | URINAL SCREEN POST<br>1/2" = 1'-0" | E10 | TRASH ENCLOSURE PLAN<br>1/2" = 1'-0" | E14 | TRASH ENCLOSURE DETAIL<br>1/2" = 1'-0" |
|----|--------------------------------|----|---------------------------------|----|------------------------------------|-----|--------------------------------------|-----|--|

PROTOTYPE P-86  
 DIVISION ST. LOUIS  
 VERSION GEN III  
 DATE 02-01-2016



|    |                                     |    |                                  |     |          |
|----|-------------------------------------|----|----------------------------------|-----|----------|
| A1 | WIND UPLIFT DIAGRAM<br>1/2" = 1'-0" | A8 | RTU LEVELING FRAME<br>1" = 1'-0" | A13 | NOT USED |
|----|-------------------------------------|----|----------------------------------|-----|----------|

| REV | DATE | DESCRIPTION |
|-----|------|-------------|
|     |      |             |
|     |      |             |
|     |      |             |
|     |      |             |
|     |      |             |
|     |      |             |
|     |      |             |
|     |      |             |
|     |      |             |
|     |      |             |
|     |      |             |
|     |      |             |

SHEET TITLE:  
 MISCELLANEOUS SECTIONS

SHEET NUMBER:  
**S520**