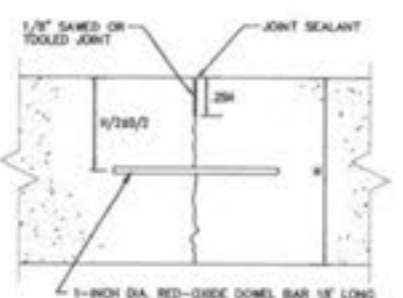
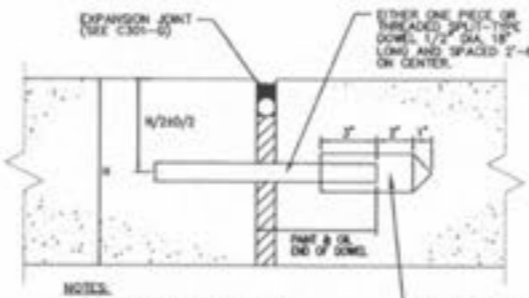


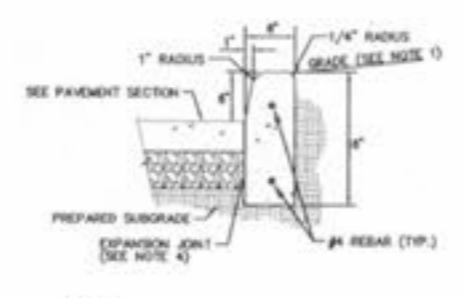
A PC CONCRETE PAVEMENT (SERVICE AREA)
C210 NOT TO SCALE



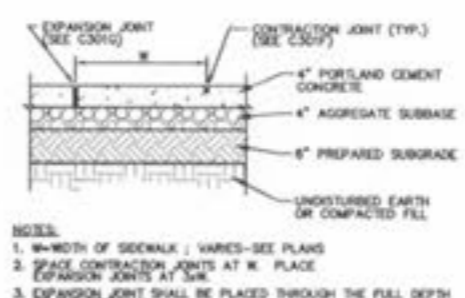
B TIED CONTRACTION JOINT
C210 NOT TO SCALE



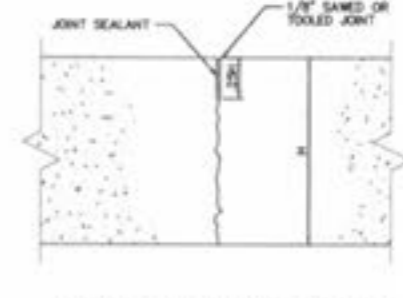
C DOWELED EXPANSION JOINT
C210 NOT TO SCALE



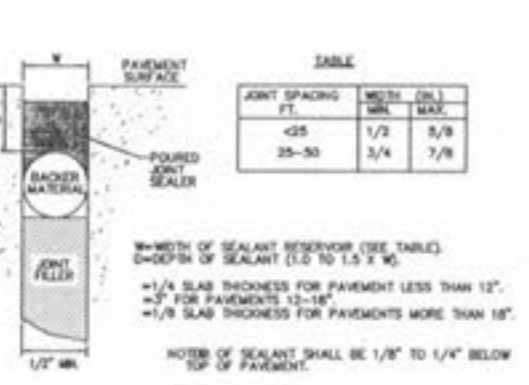
D CONCRETE VERTICAL CURB
C210 NOT TO SCALE



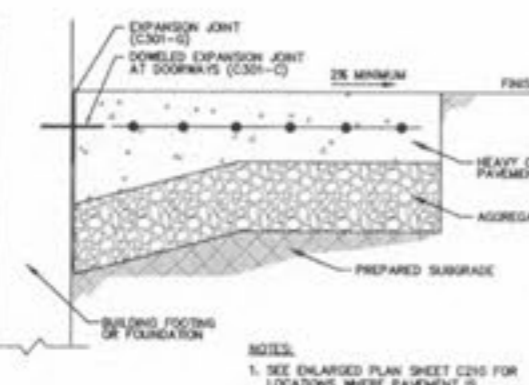
E CONCRETE WALK
C201 NOT TO SCALE



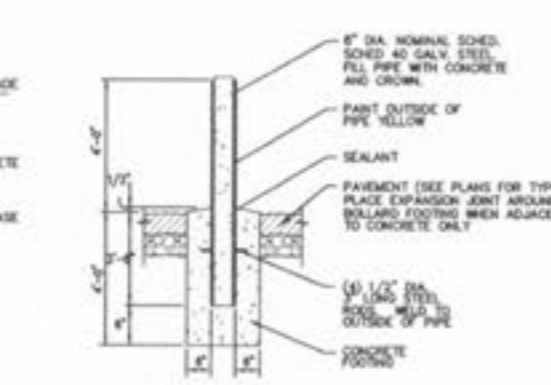
F CONTRACTION JOINT
C201 NOT TO SCALE



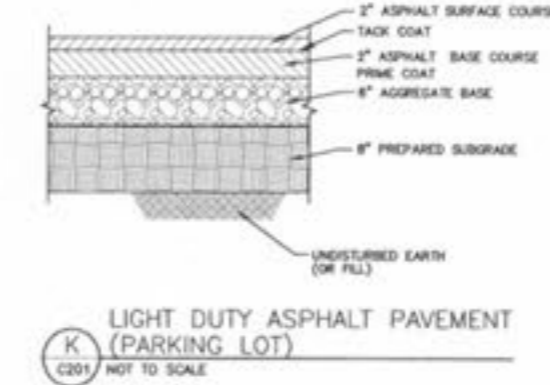
G EXPANSION JOINT
C201 NOT TO SCALE



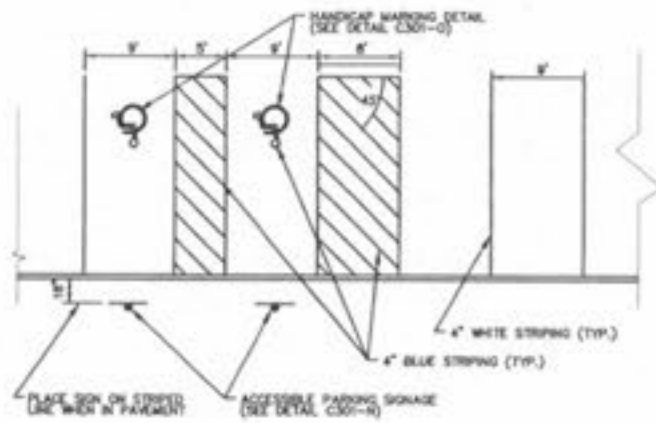
H THICKENED EDGE EXPANSION JOINT
C201 NOT TO SCALE



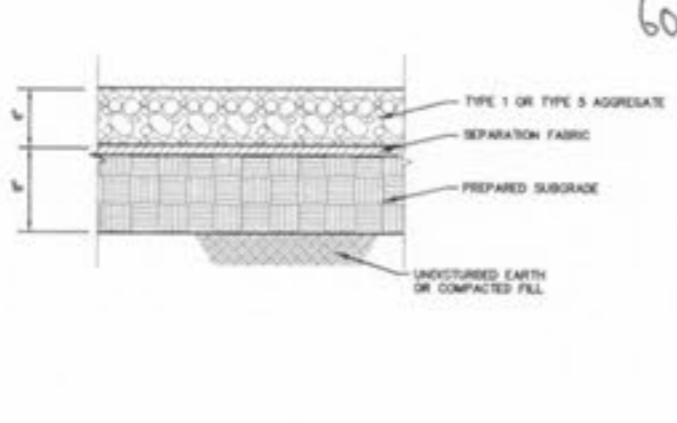
J CONCRETE BOLLARD
C201 NOT TO SCALE



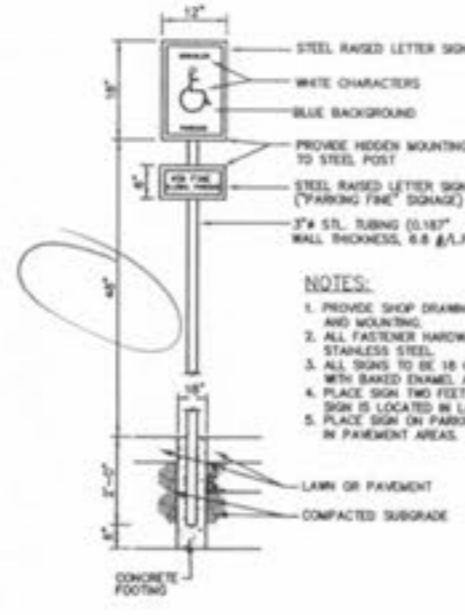
K LIGHT DUTY ASPHALT PAVEMENT (PARKING LOT)
C201 NOT TO SCALE



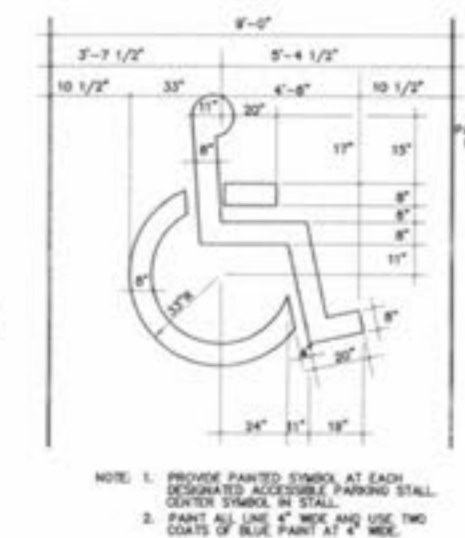
L TYPICAL STRIPING DETAILS
C201 NOT TO SCALE



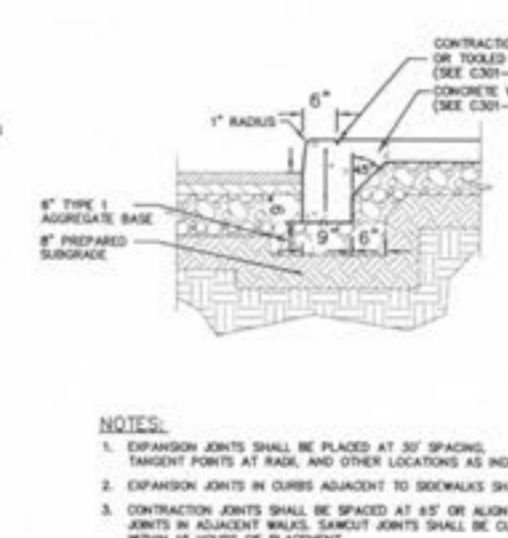
M GRAVEL SURFACING DETAIL
C201 NOT TO SCALE



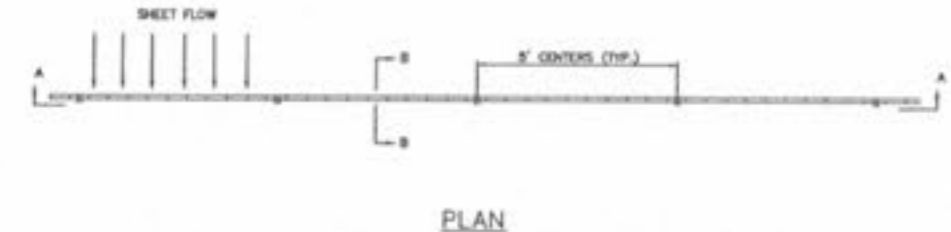
N ACCESSIBLE PARKING SIGNAGE
C201 NOT TO SCALE



O HANDICAP MARKING DETAIL
C201 NOT TO SCALE

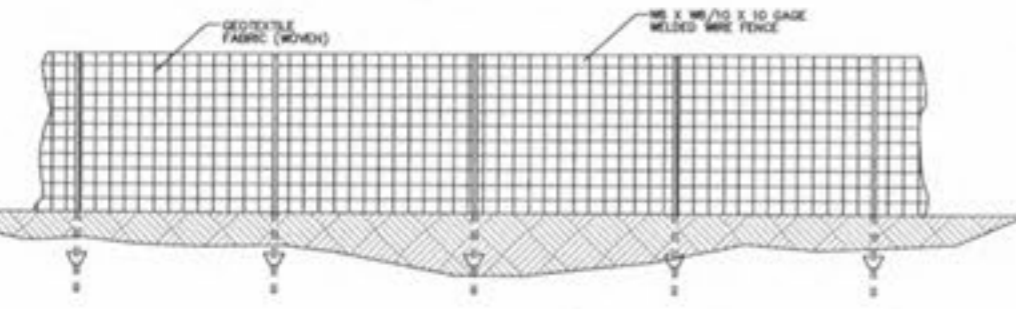


P MONOLITHIC CURB AND SIDEWALK DETAIL
C201 NOT TO SCALE

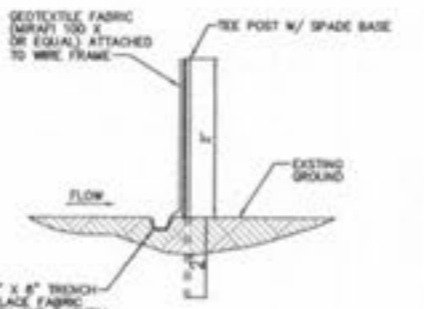


SECTION A-A

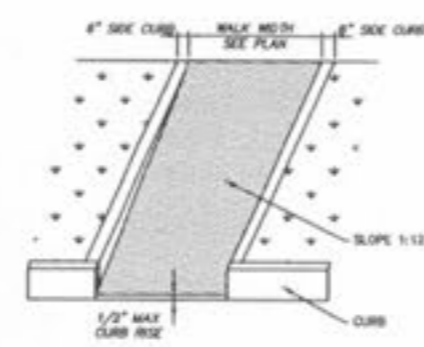
- NOTES:**
- DO NOT SCALE DRAWING FOLLOW DIMENSIONS
 - SILTATION CONTROL DEVICES TO REMAIN IN PLACE UNTIL ADEQUATE VEGETATIVE GROWTH INCURRED NO FURTHER EROSION OF THE SOIL.
 - SILTATION FENCES SHALL BE INSPECTED PERIODICALLY FOR DAMAGE AND FOR THE AMOUNT OF SEDIMENTATION WHICH HAS ACCUMULATED. REMOVAL OF SEDIMENT WILL BE REQUIRED WHEN IT REACHES 1/2 OF THE HEIGHT OF THE SILTATION FENCE.
 - ATTACHMENT OF WELDED WIRE FENCE AND GEOTEXTILE FABRIC TO BE IN ACCORDANCE WITH THE MANUFACTURER'S RECOMMENDATION.



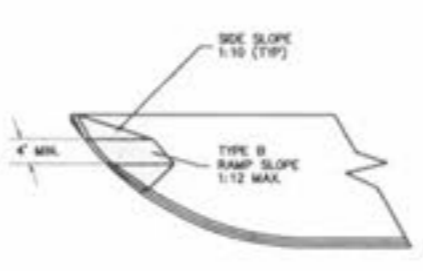
Q SILTATION FENCE DETAIL
C201 NOT TO SCALE



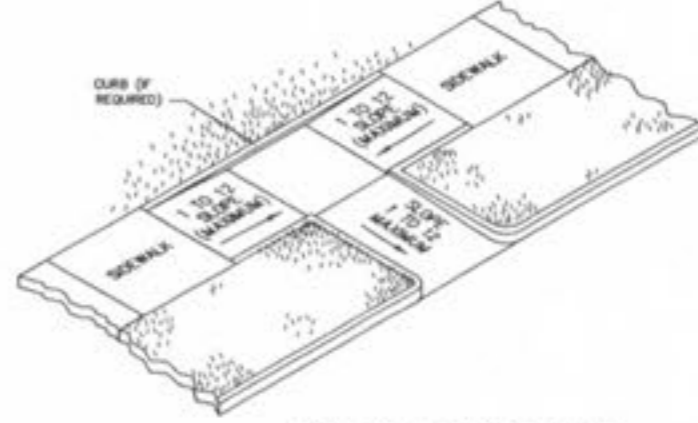
SECTION B-B



TYPE A HANDICAP RAMP
N.T.S.



TYPE B HANDICAP RAMP
N.T.S.



TYPE C HANDICAP RAMP
N.T.S.

R HANDICAP RAMP CURB CUT DETAILS
C201 NOT TO SCALE

Key Plan

Scales

Jacobs Project No: **POW4000**
Drawing Title: **SITE DETAILS**

Date: **DECEMBER 9, 2002**
Designed By: **NM** Drawing No:
Drawn By: **NM** Checked By: **WJ** **C301**

RENAUD SPIRIT CENTER
For the City of O'Fallon - Missouri