

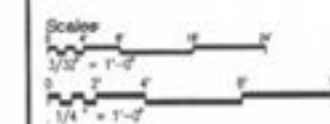
Revision  
 Date: 12/9/02 By: Designer  
 195 ISSUED FOR BID



**RENAUD SPIRIT CENTER**  
 For the City of O'Fallon - Missouri

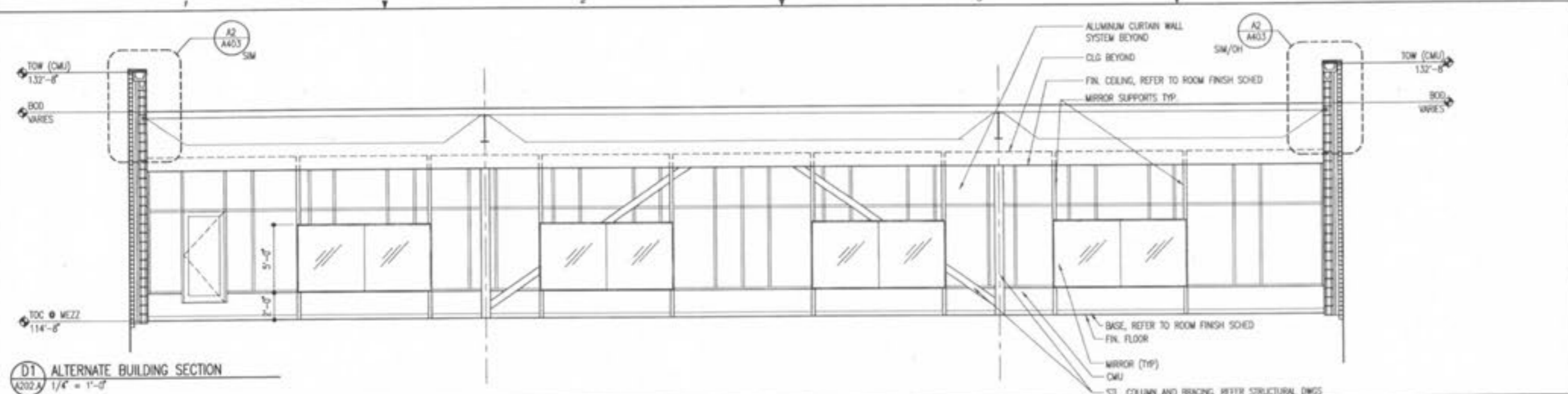


Key Plan

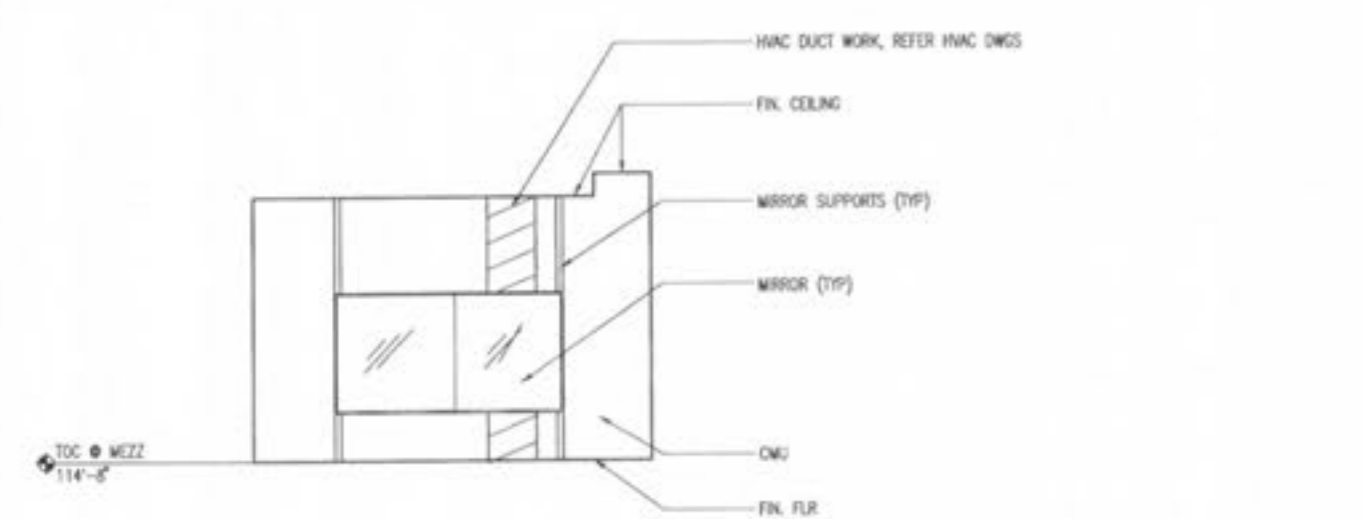


Jacobs Project No: F3940600  
 Drawing Title  
 ALTERNATE ARCHITECTURAL  
 BUILDING SECTIONS

Date: DECEMBER 9, 2002  
 Designed By: T. SHERMAN  
 Drawn By: K. HORNACK  
 Checked By: R. MESSER  
 Drawing No: A302.A

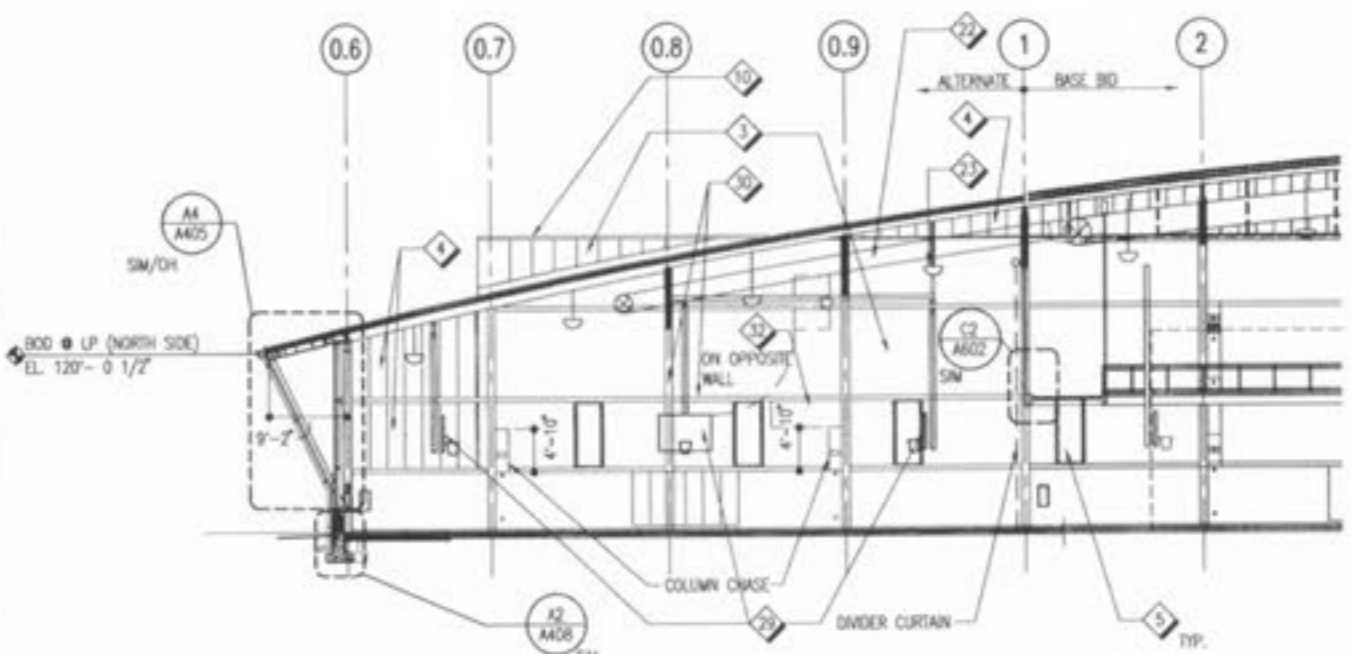


D1 ALTERNATE BUILDING SECTION  
 A302.A 1/4" = 1'-0"

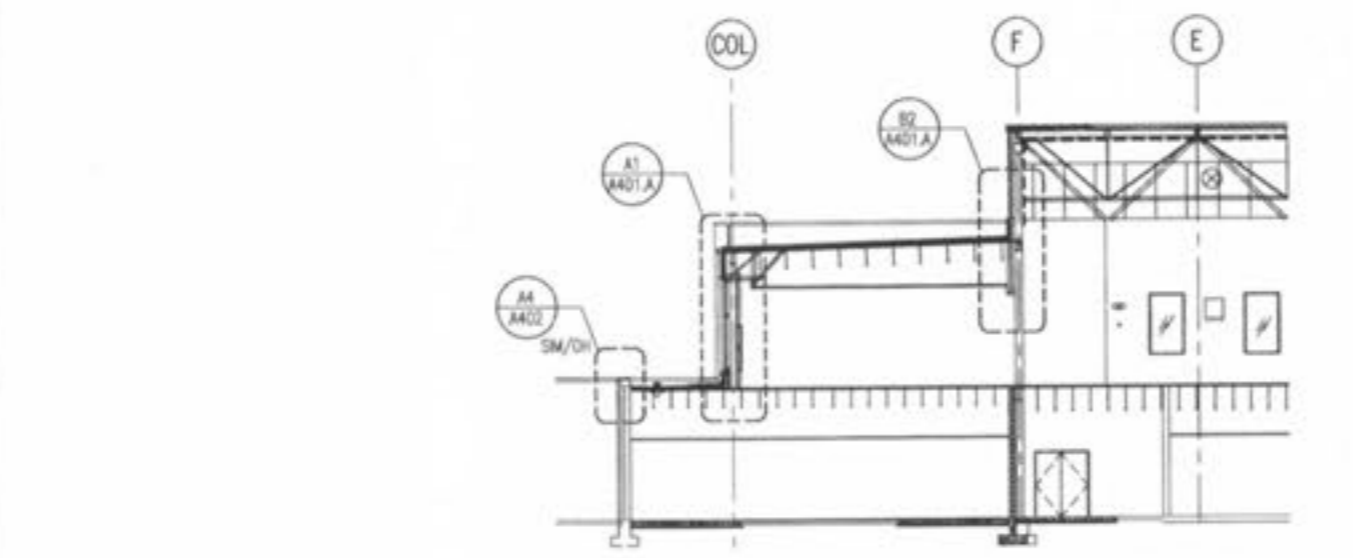


C1 ALTERNATE INTERIOR ELEVATION  
 A302.A 1/4" = 1'-0"

GENERAL NOTES  
 1. REFER TO A303 FOR KEYED NOTES AND GENERAL NOTES



B3 ALTERNATE PARTIAL BUILDING SECTION  
 A303.A 3/32" = 1'-0"



A3 ALTERNATE PARTIAL BUILDING SECTION  
 A303.A 3/32" = 1'-0"