

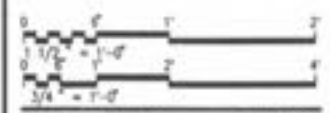


**RENAUD SPIRIT CENTER**  
 For the City of O'Fallon - Missouri



Key Plan

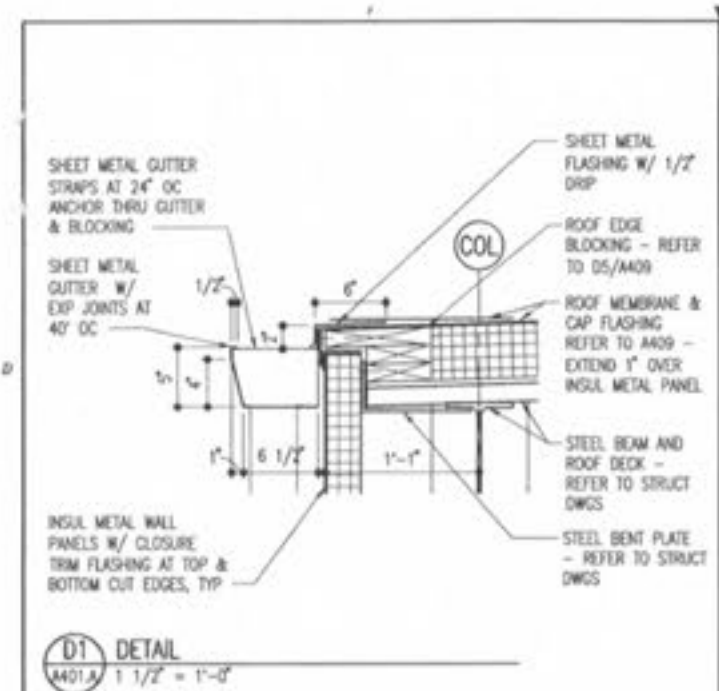
Scale



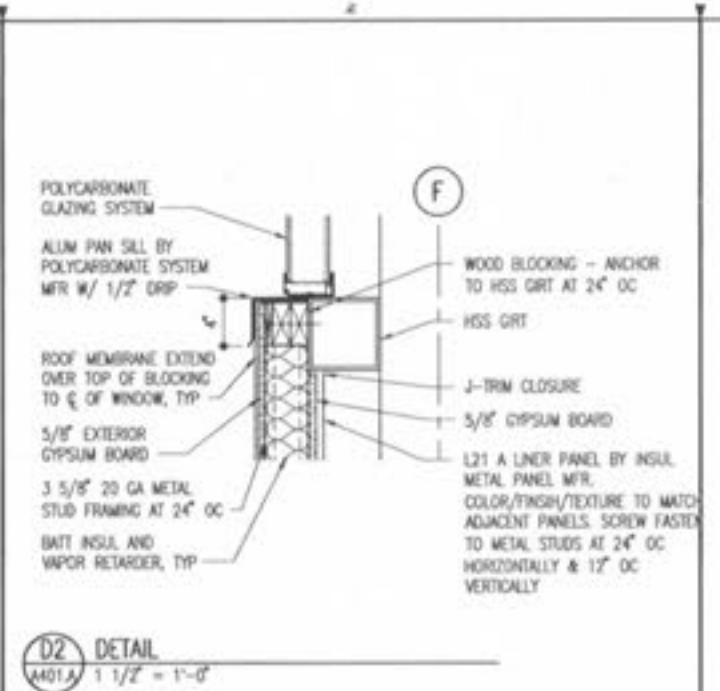
Jacobs Project No: F040600

Drawing Title  
 ALTERNATE ARCHITECTURAL  
 WALL SECTIONS

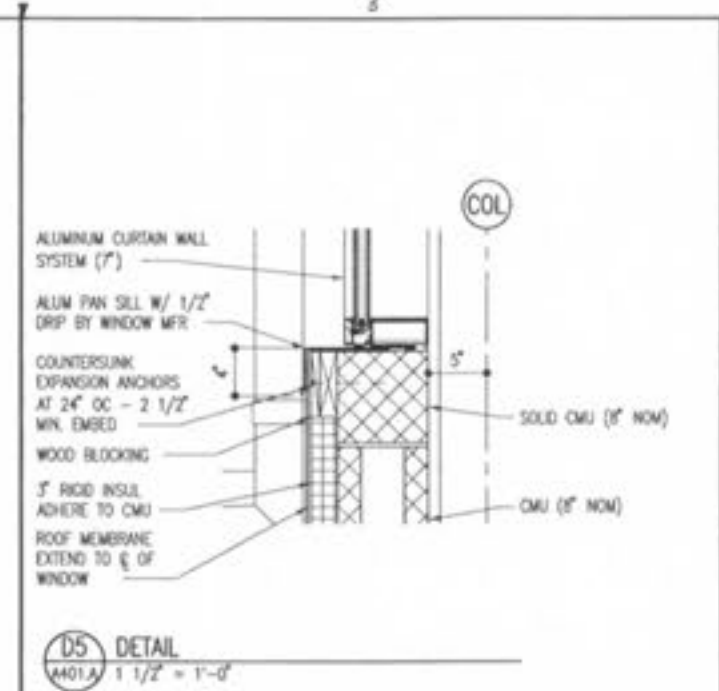
Date: DECEMBER 9, 2002  
 Designed By: T. SHERRARD  
 Drawn By: K. HORNACK  
 Checked By: S. WISSEL  
 Drawing No: A401A



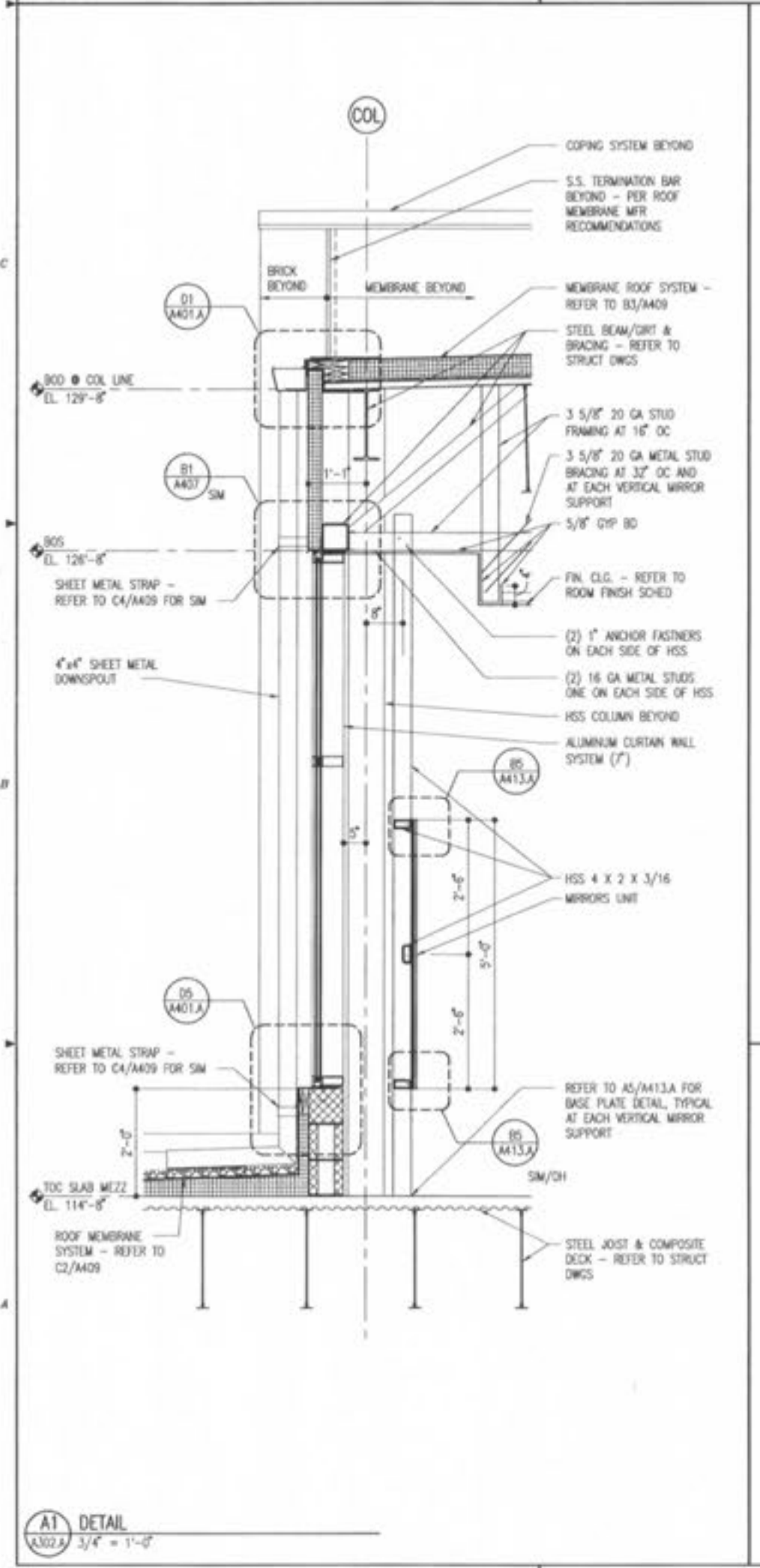
D1 DETAIL  
 A401A 1 1/2\"/>



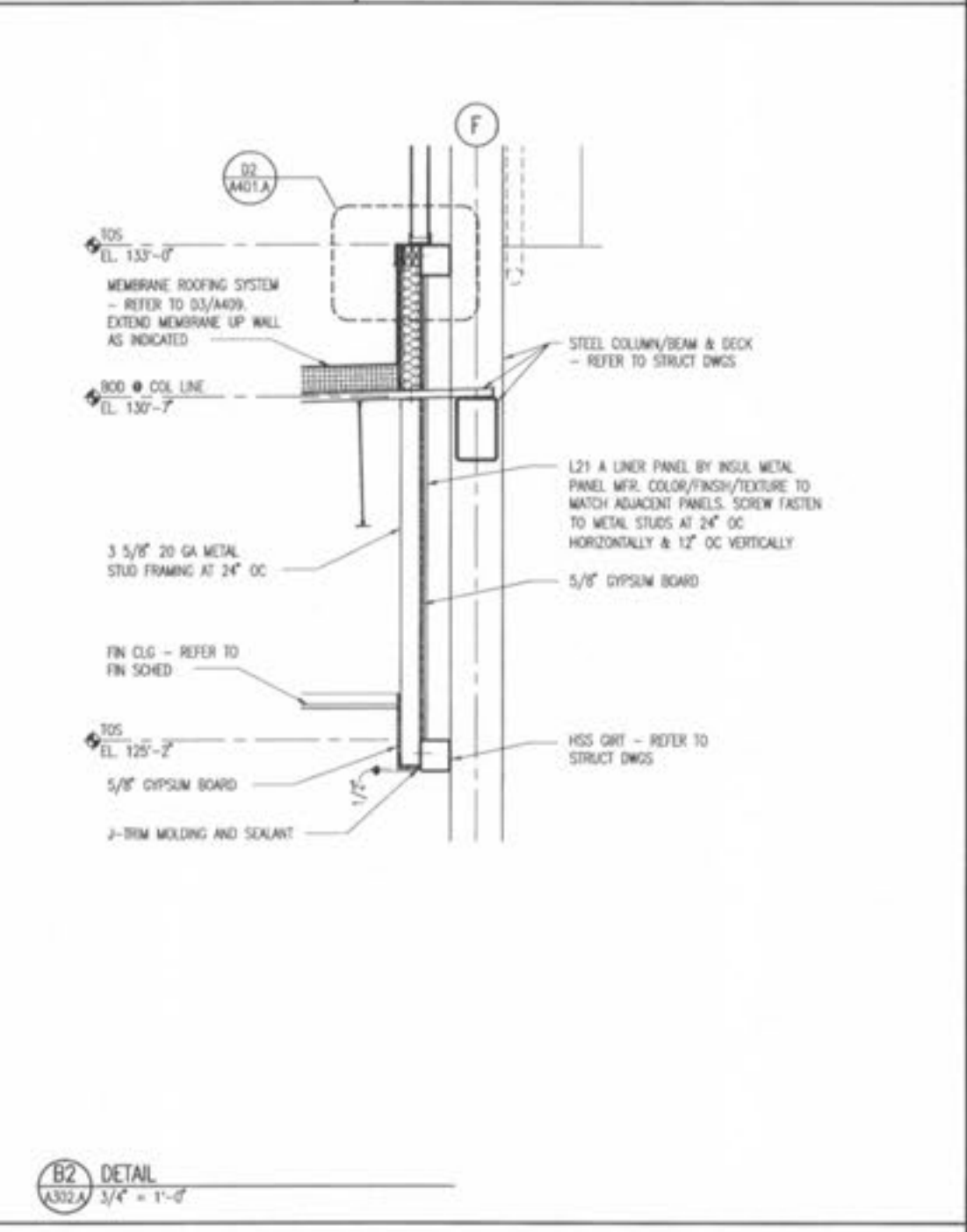
D2 DETAIL  
 A401A 1 1/2\"/>



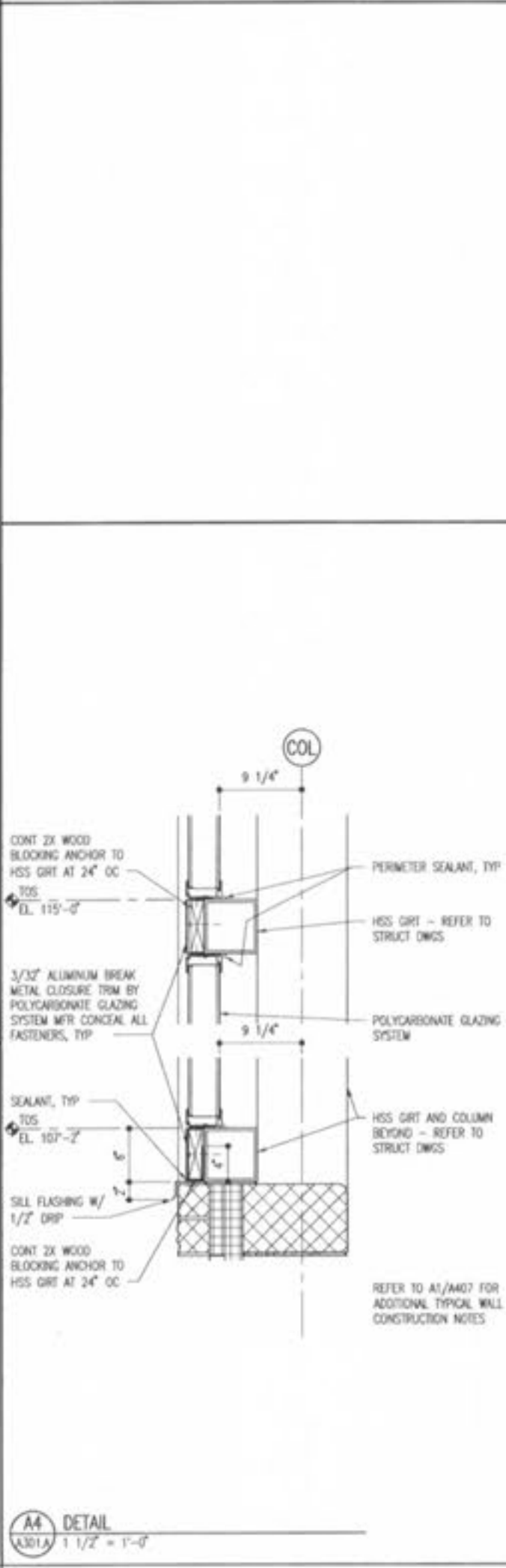
D5 DETAIL  
 A401A 1 1/2\"/>



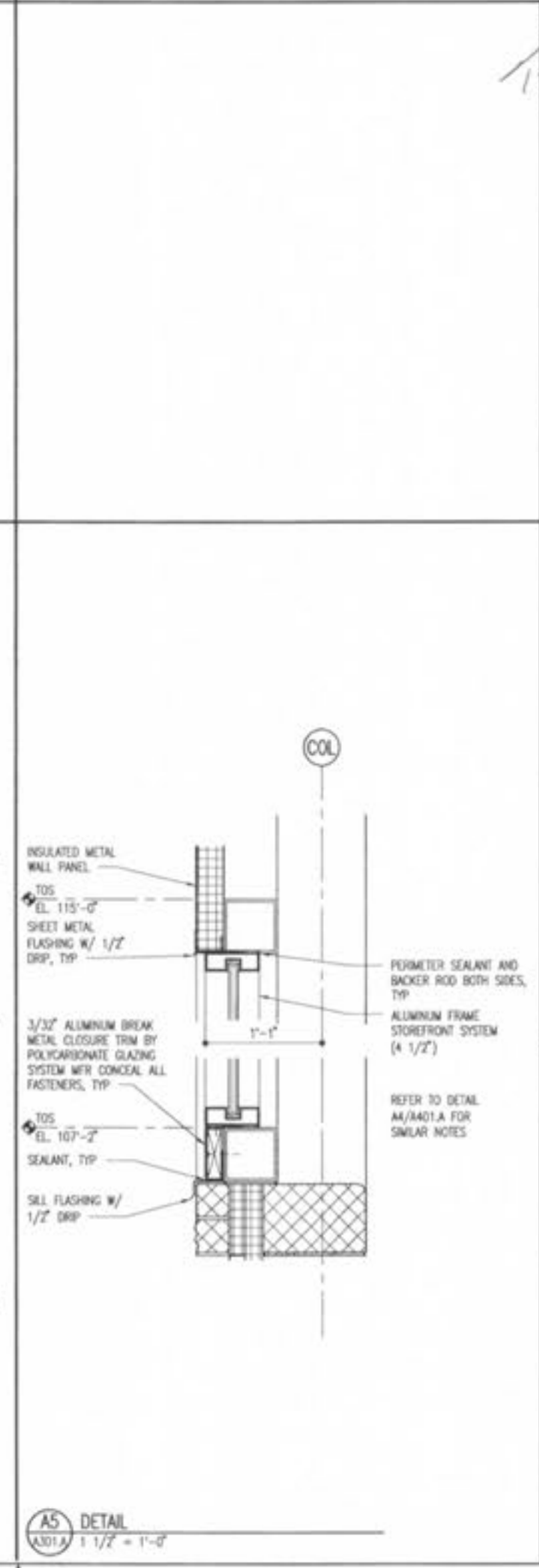
A1 DETAIL  
 A302A 3/4\"/>



B2 DETAIL  
 A302A 3/4\"/>



A4 DETAIL  
 A301A 1 1/2\"/>



A5 DETAIL  
 A301A 1 1/2\"/>