

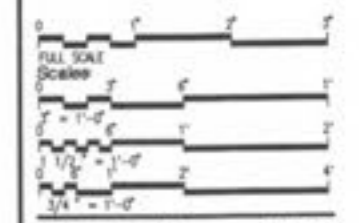
Revisions  
 Date By Description  
 12/9/02 TSP ISSUED FOR BD



**RENAUD SPIRIT CENTER**  
 For the City of O'Fallon - Missouri

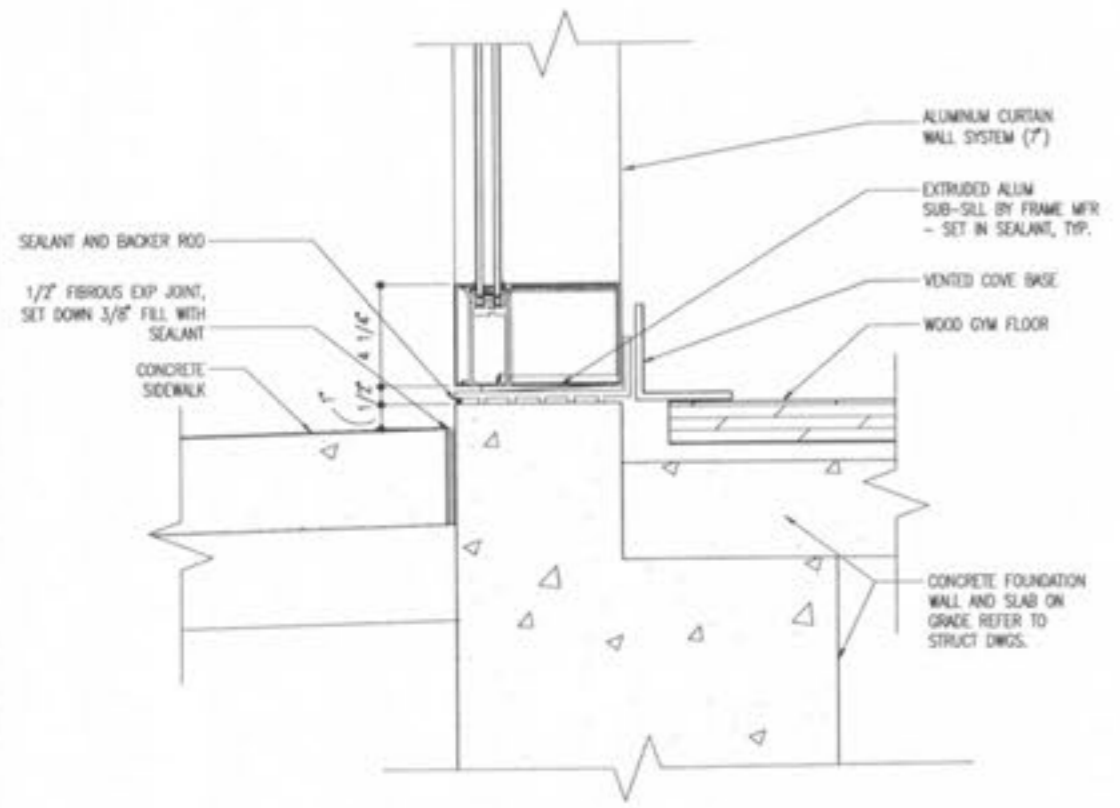


Key Plan

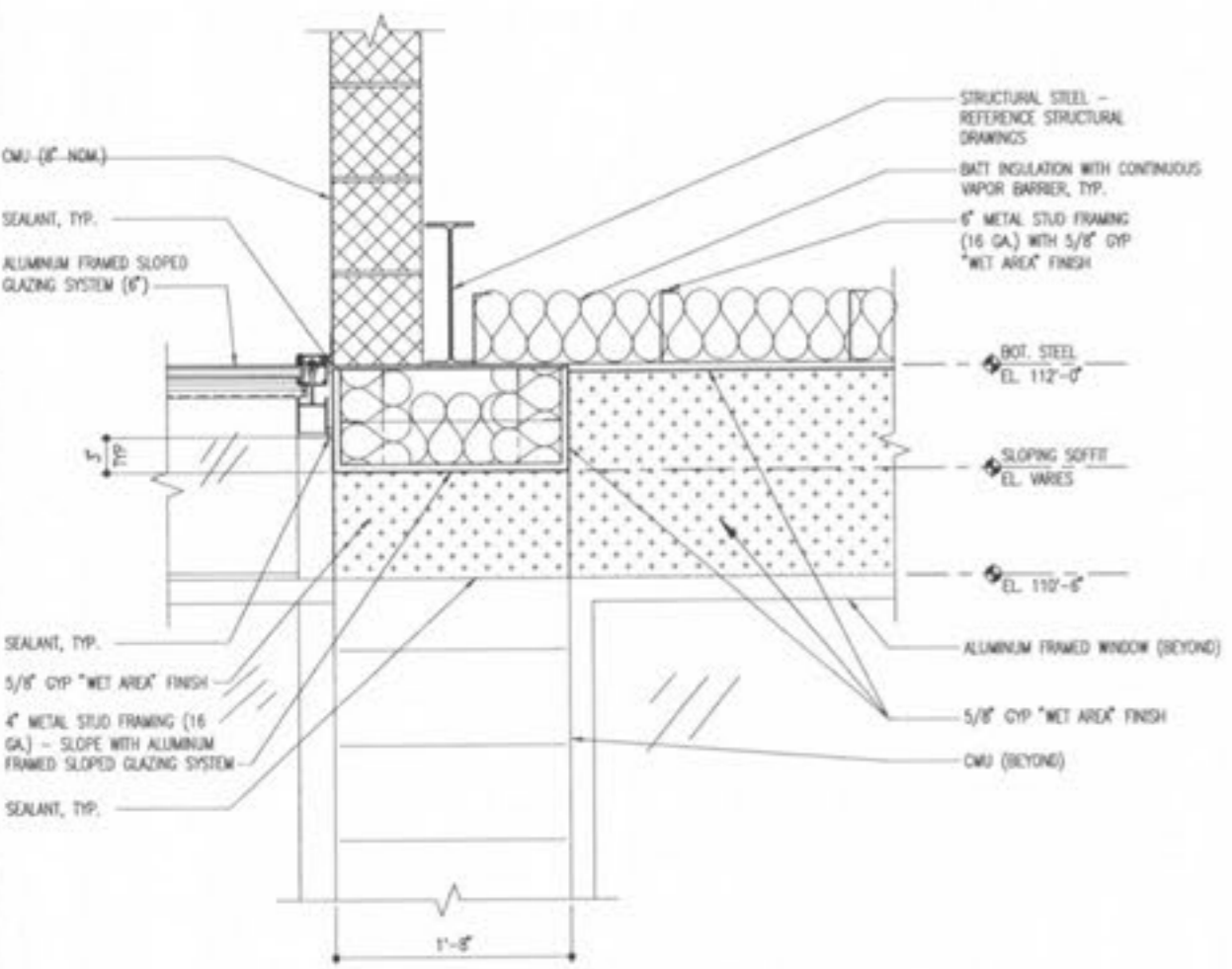


Jacobs Project No: F0940600  
 Drawing Title: ARCHITECTURAL WALL SECTIONS

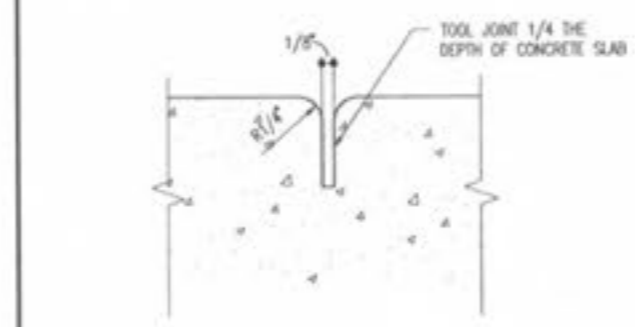
Date: DECEMBER 8, 2002  
 Designed By: T. SHORRO  
 Drawn By: K. HORNADI  
 Checked By: R. WISSE  
 Drawing No: A406



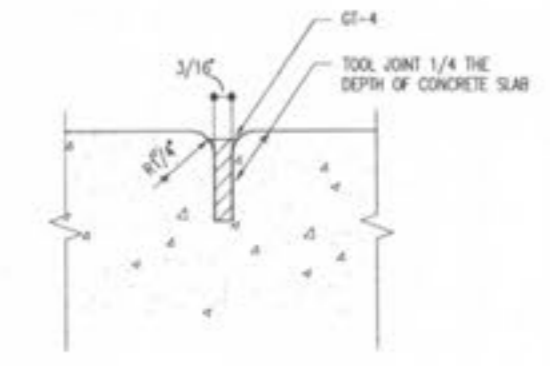
C1 DETAIL  
 A301 3'-1'-0"



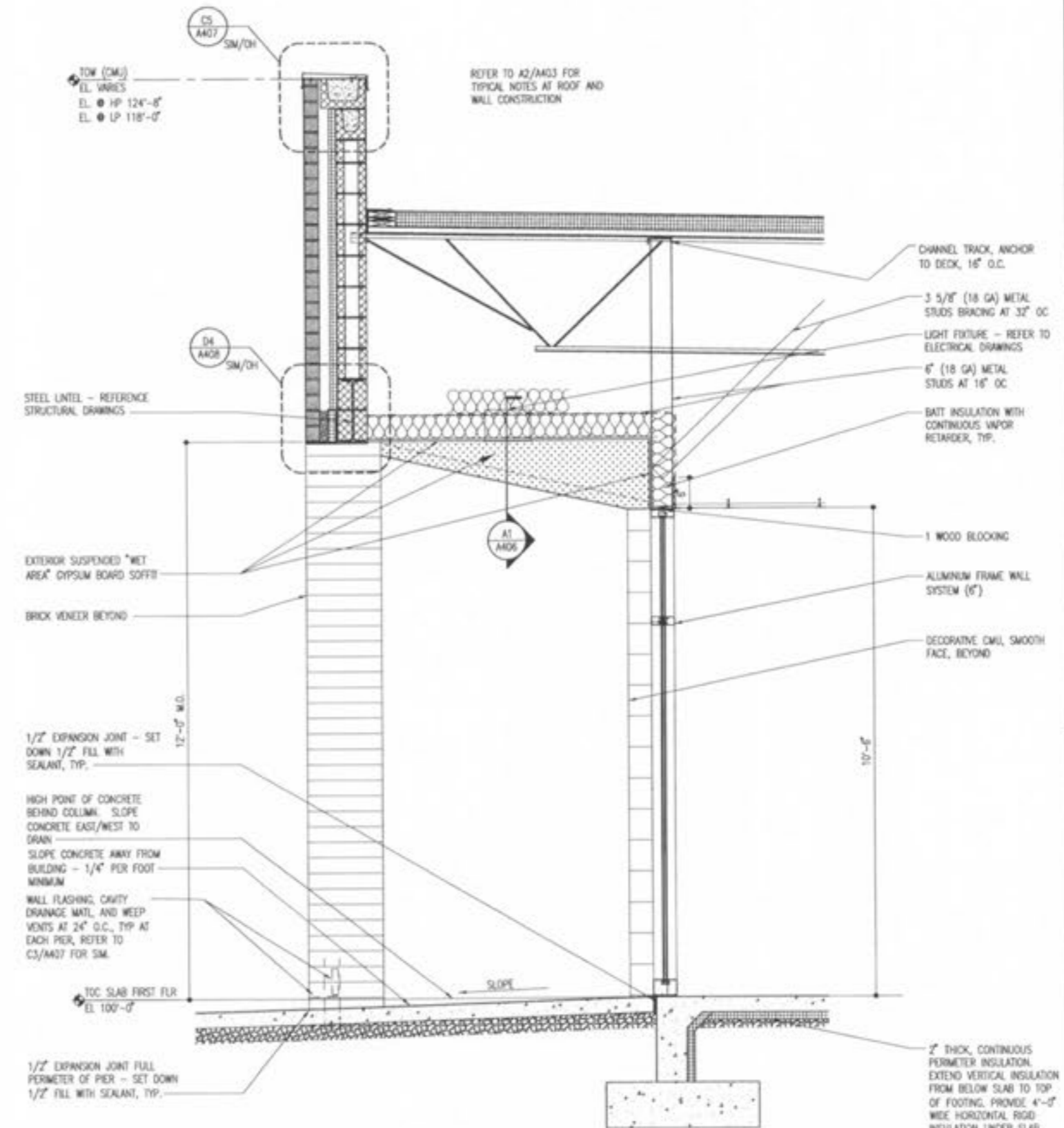
A1 DETAIL  
 A406 1 1/2'-1'-0"



D4 DETAIL  
 A301 2' FULL



D5 DETAIL  
 A301 2' FULL



A4 WALL SECTION  
 A306 3/4'-1'-0"