



RENAUD SPIRIT CENTER
 For the City of O'Fallon - Missouri

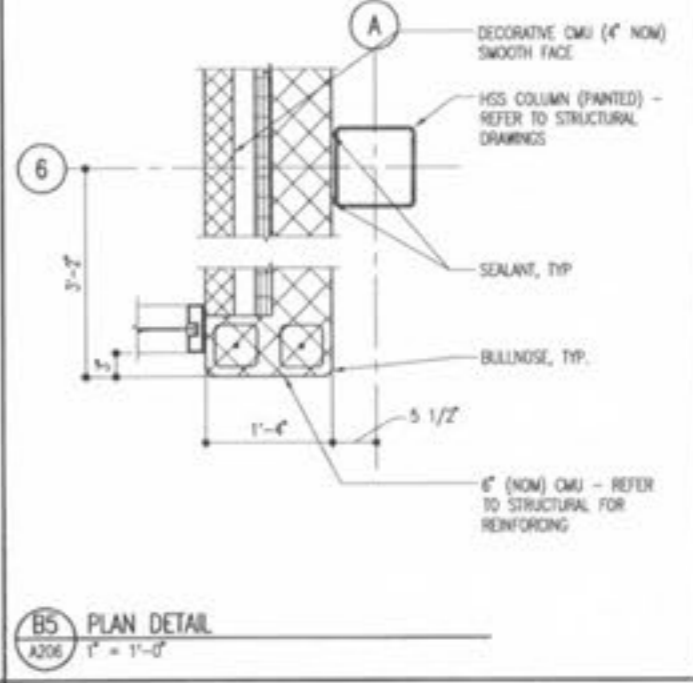
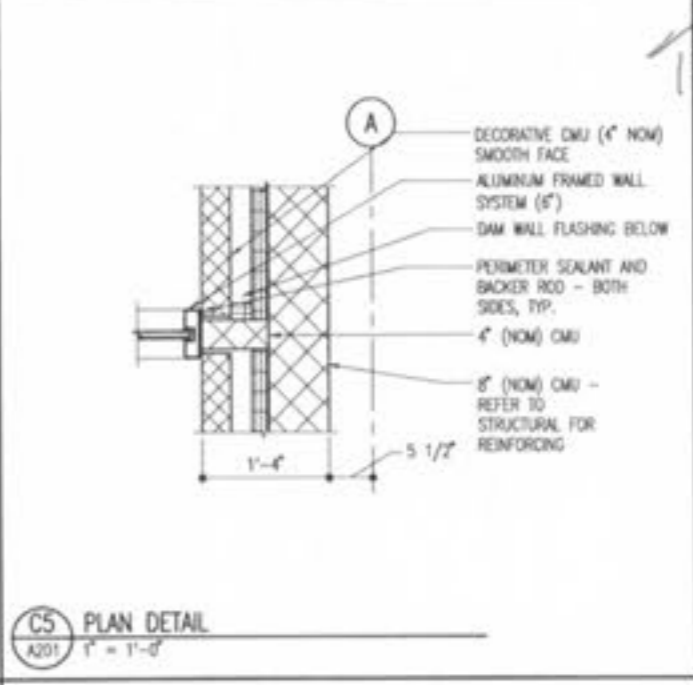
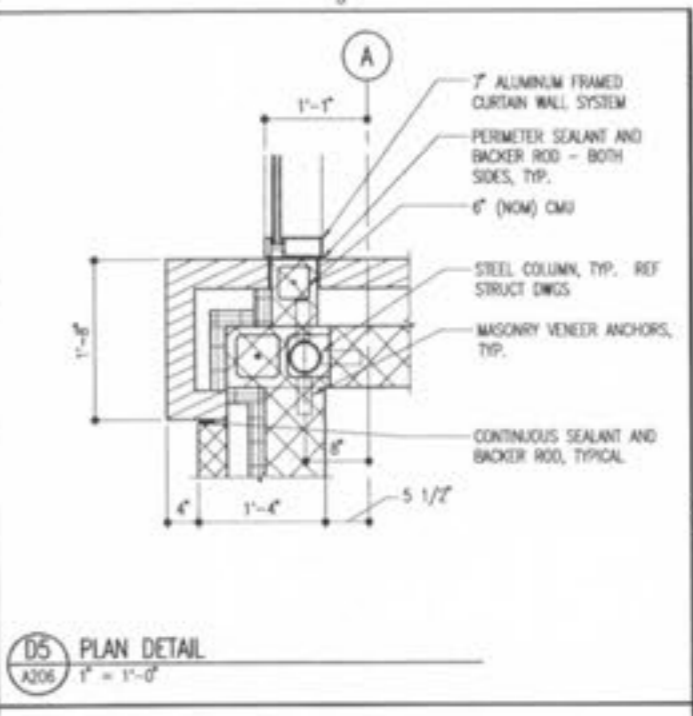
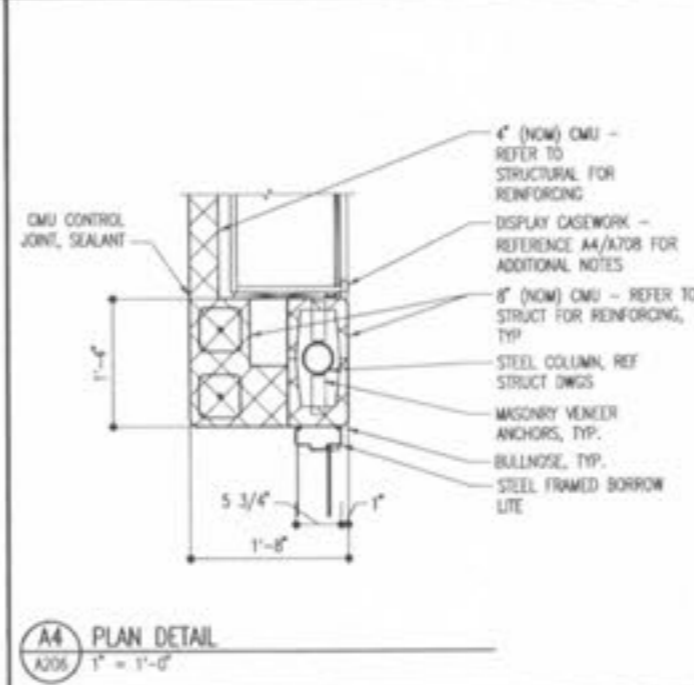
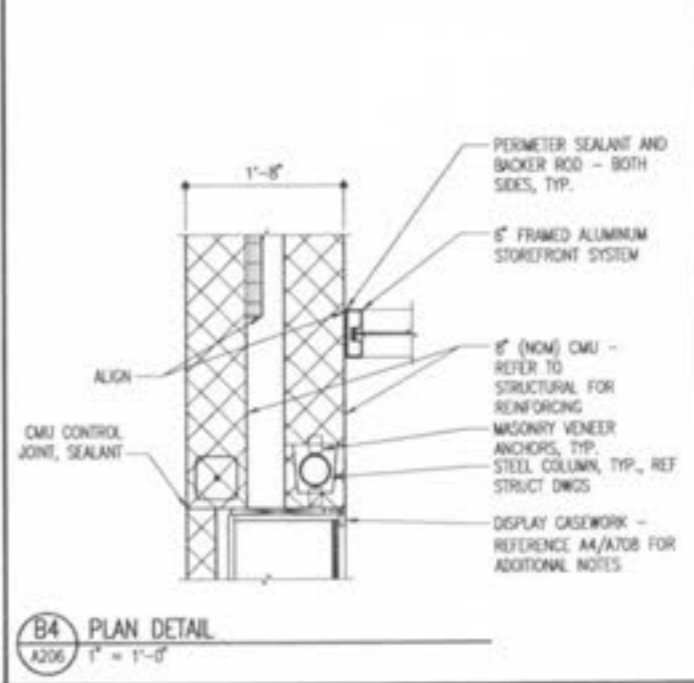
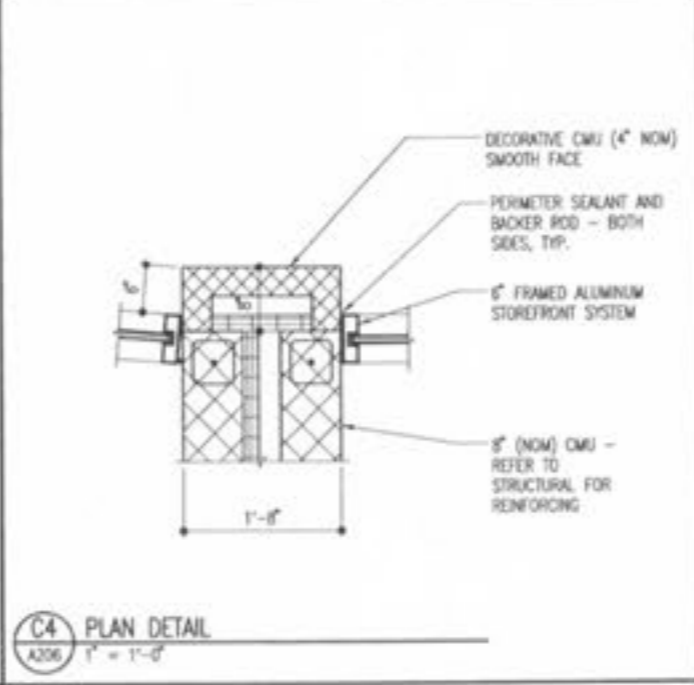
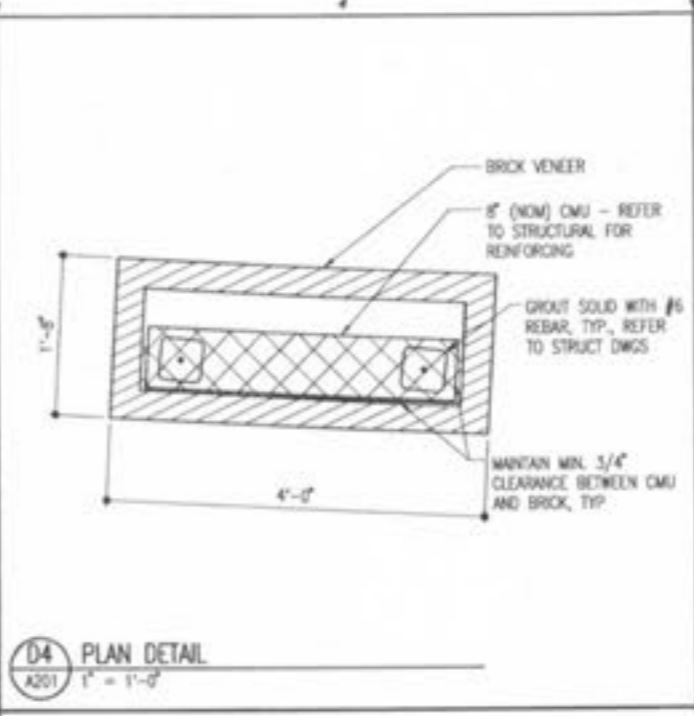
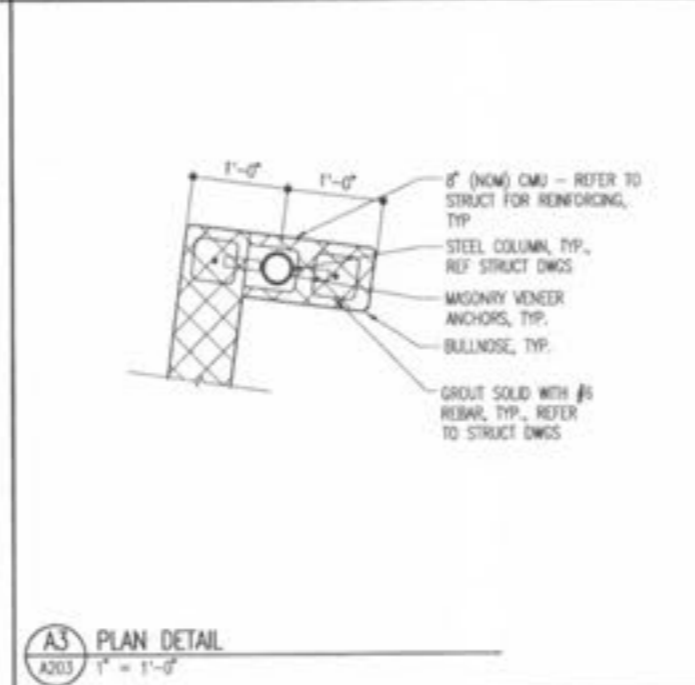
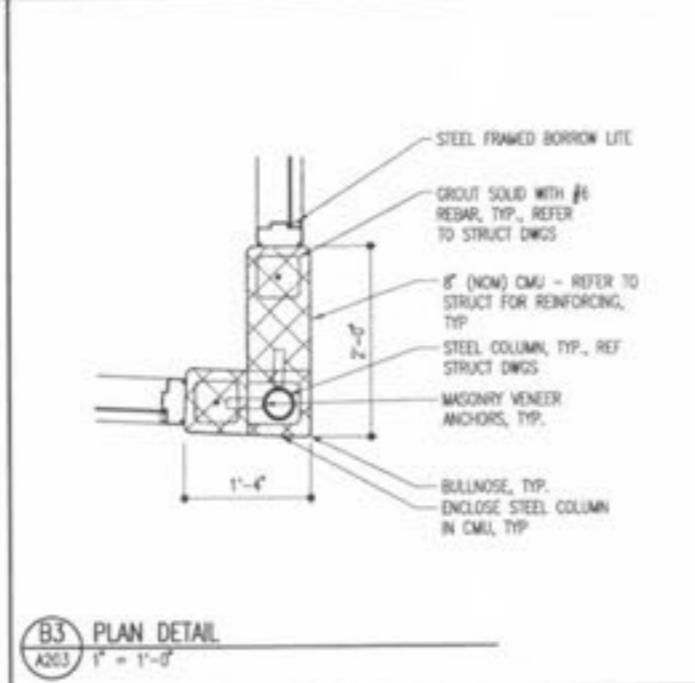
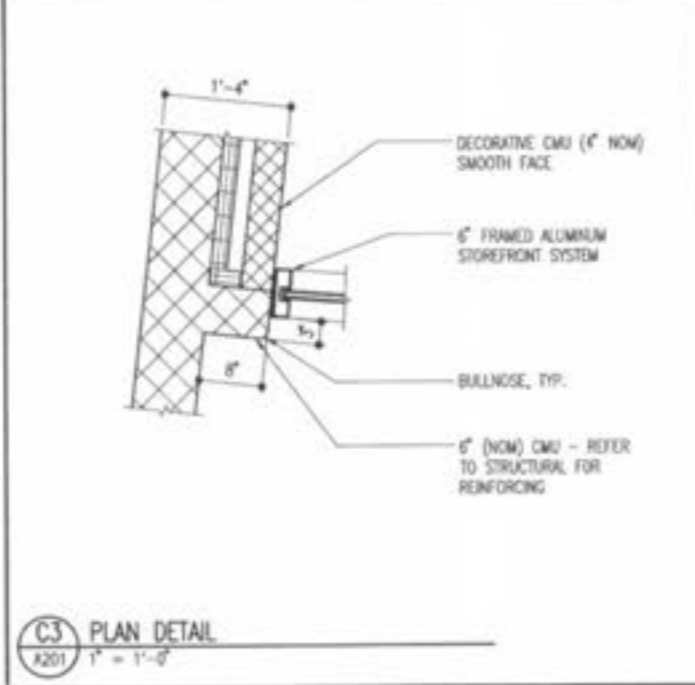
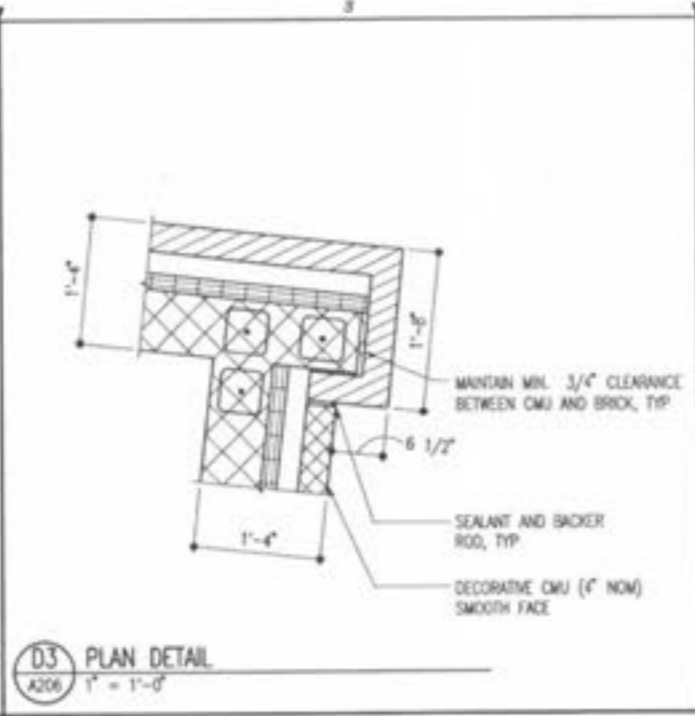
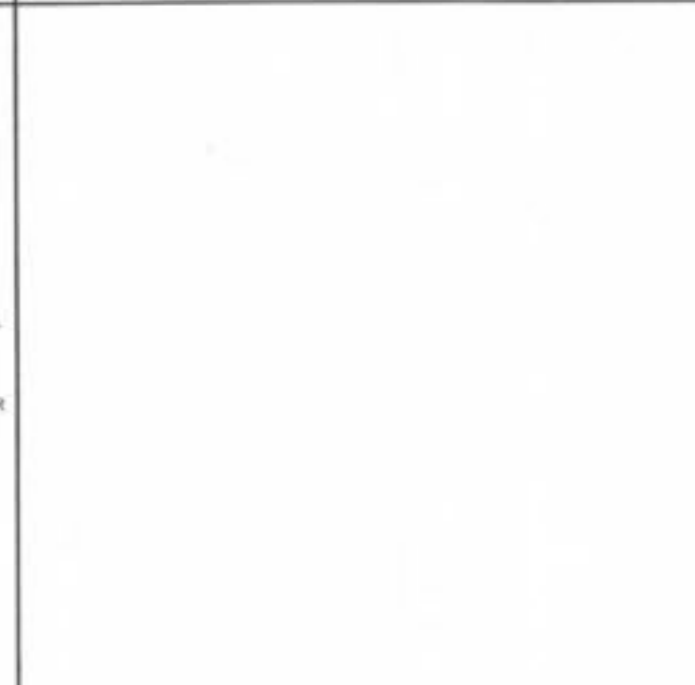
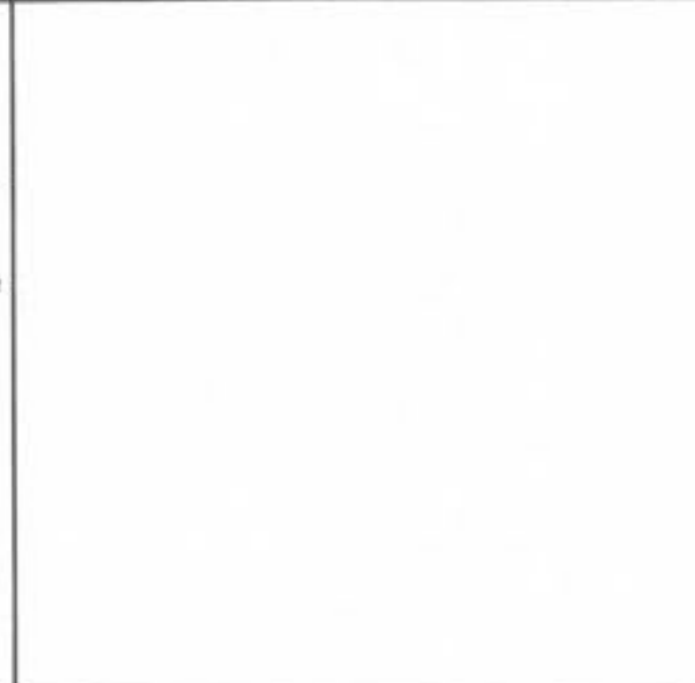
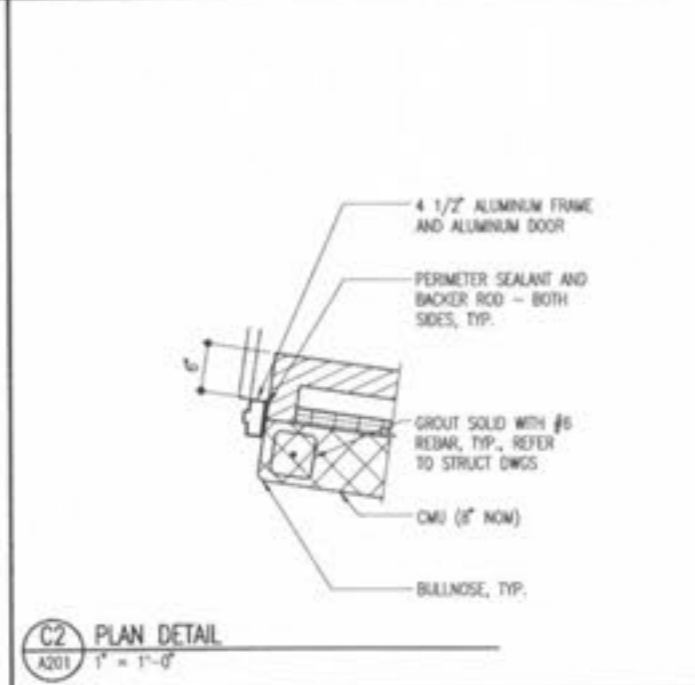
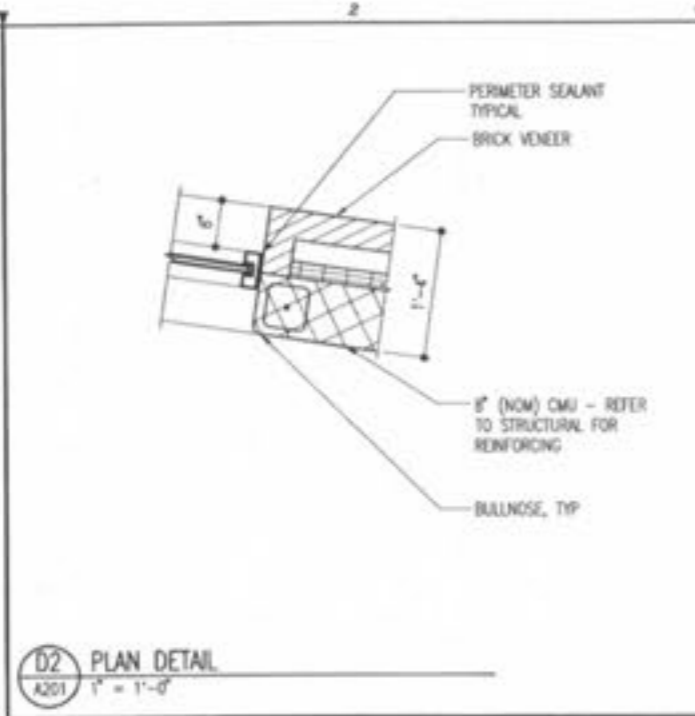
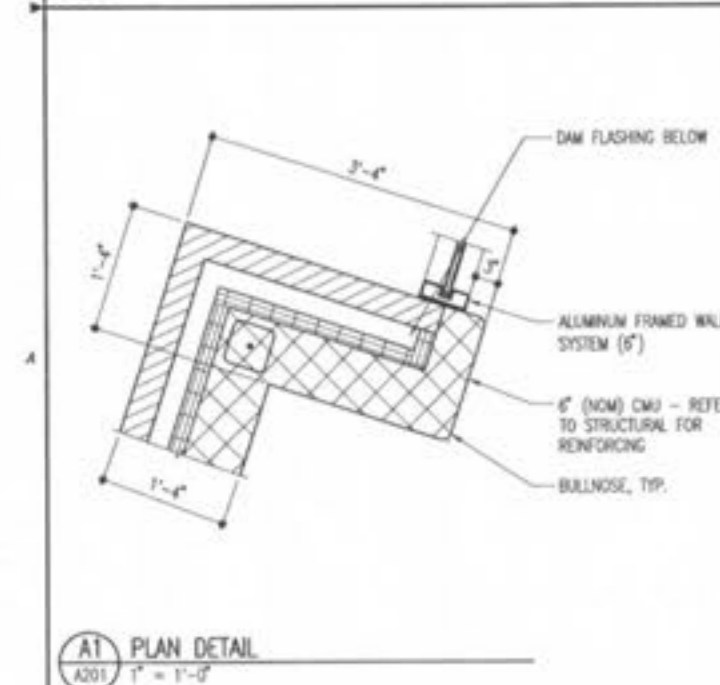
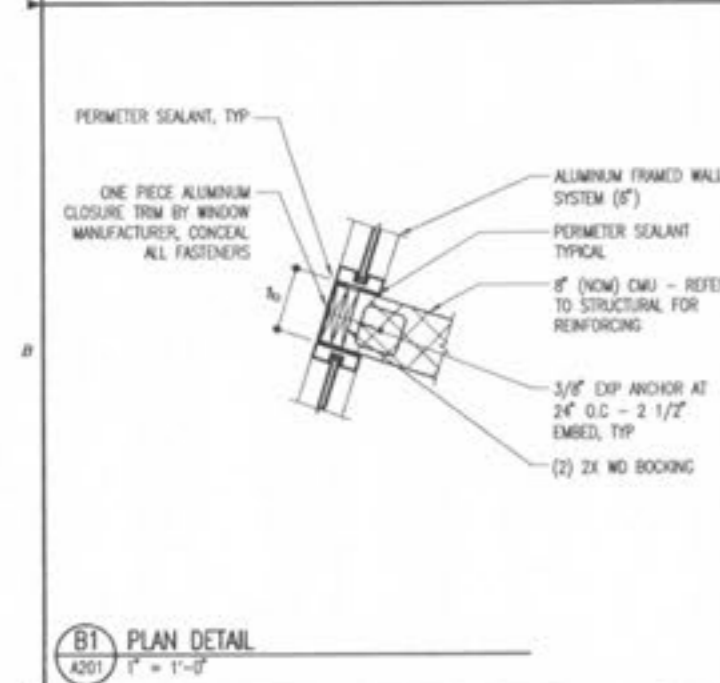
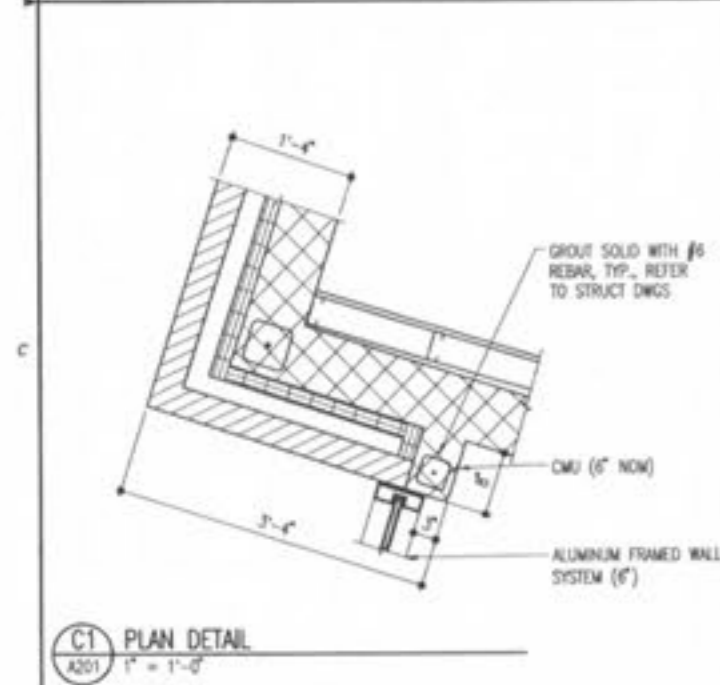
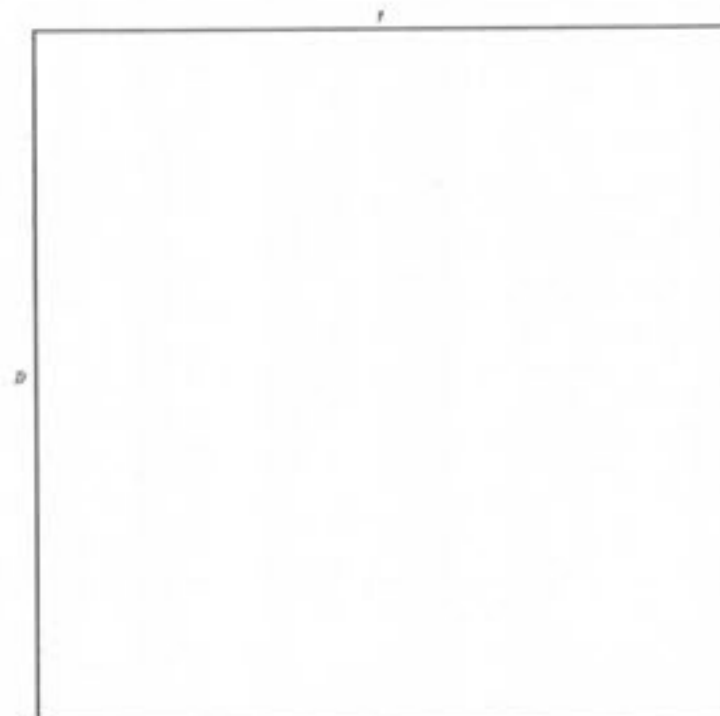


Key Plan



Jacobs Project No: F0943800
 Drawing Title: ARCHITECTURAL PLAN DETAILS

Date: DECEMBER 9, 2002
 Designed By: T. SHERRARD
 Drawn By: K. HORNACK
 Checked By: M. WESSLE
A410



NOTES:
 1. CMU REINFORCING SHOWN ON THIS SHEET IS MINIMUM REQUIRED. REFER TO STRUCTURAL DRAWINGS FOR ADDITIONAL NOTES AND TYPICAL REINFORCING DETAILS / NOTES AT MASONRY CONSTRUCTION.