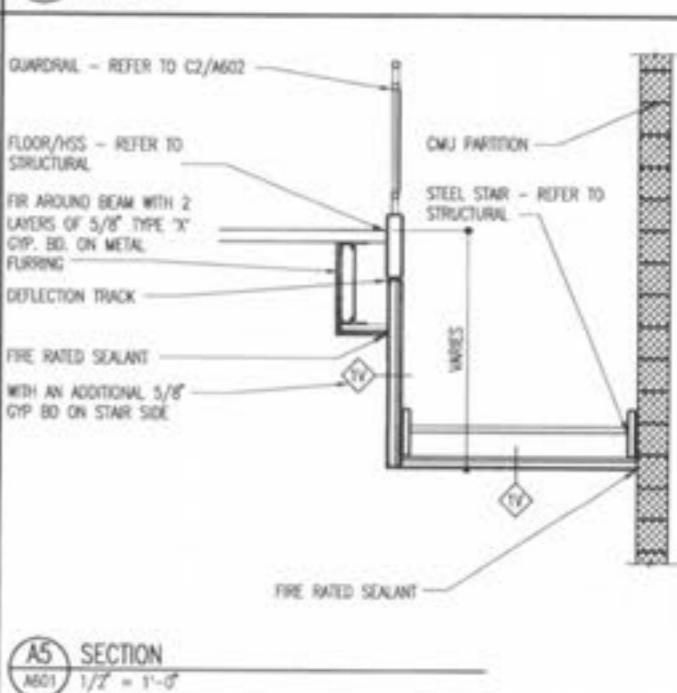
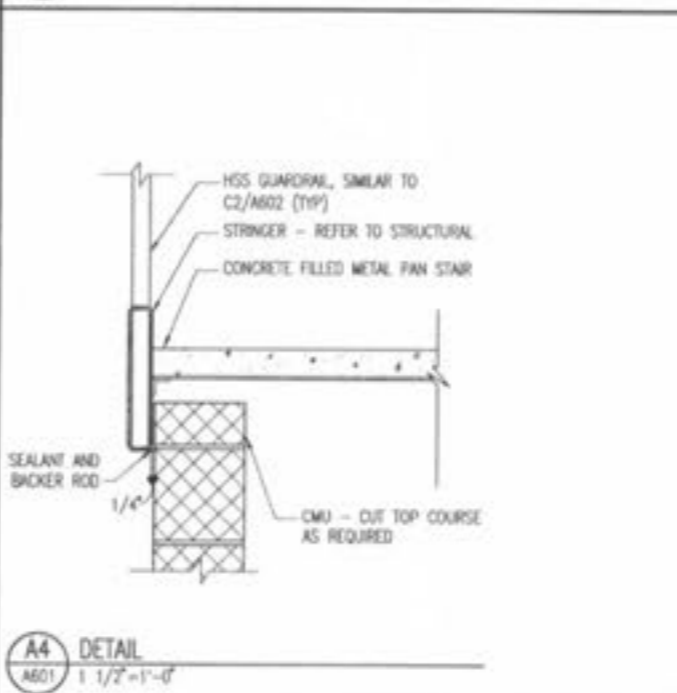
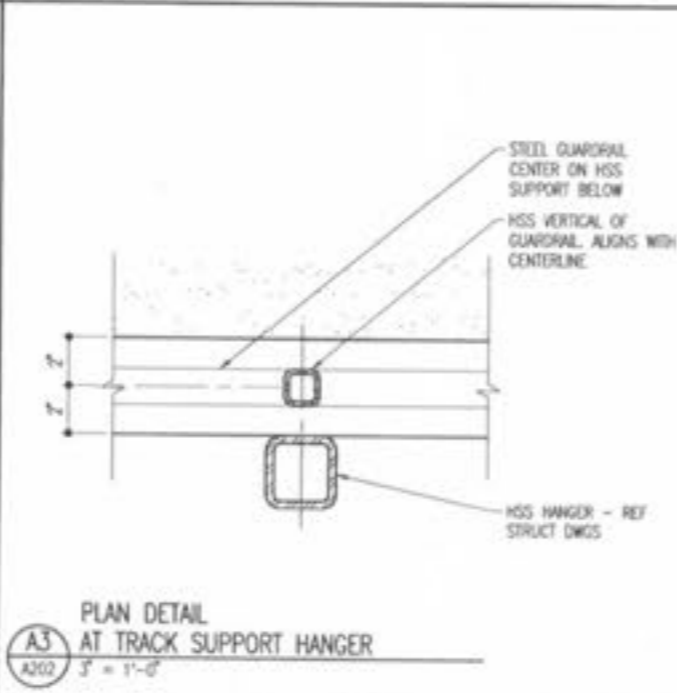
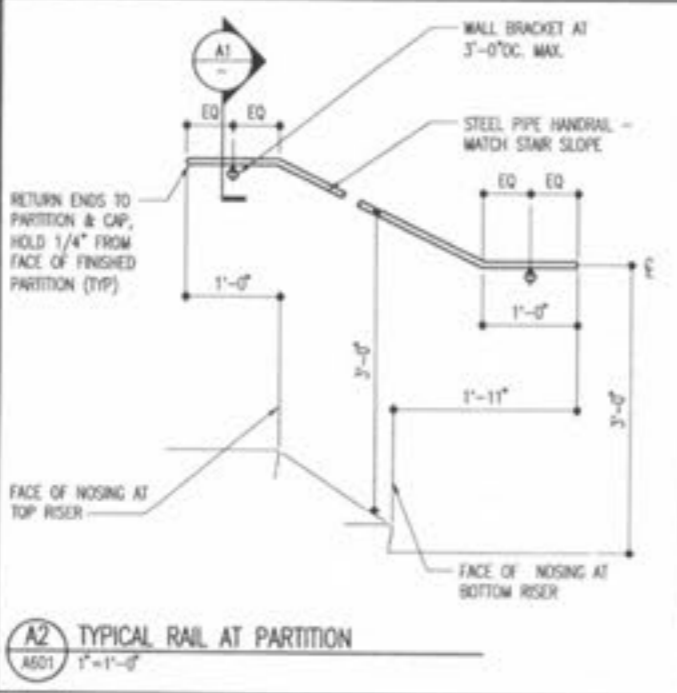
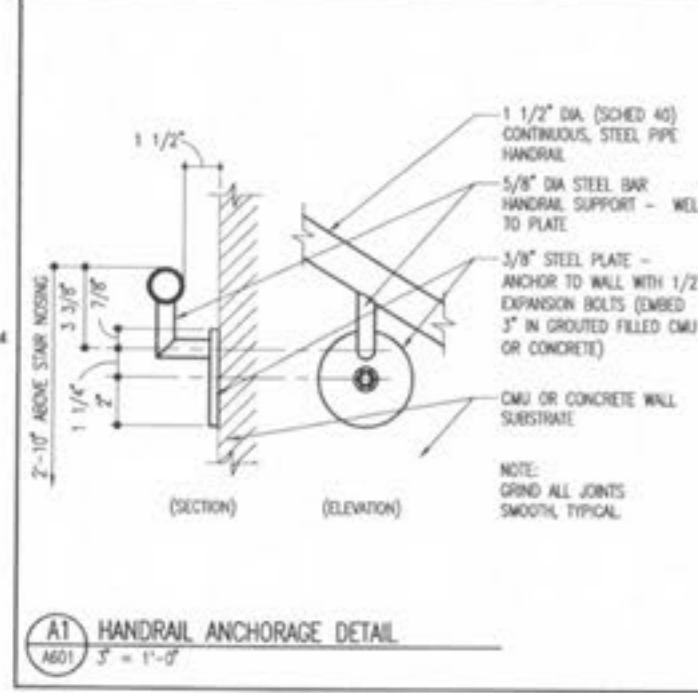
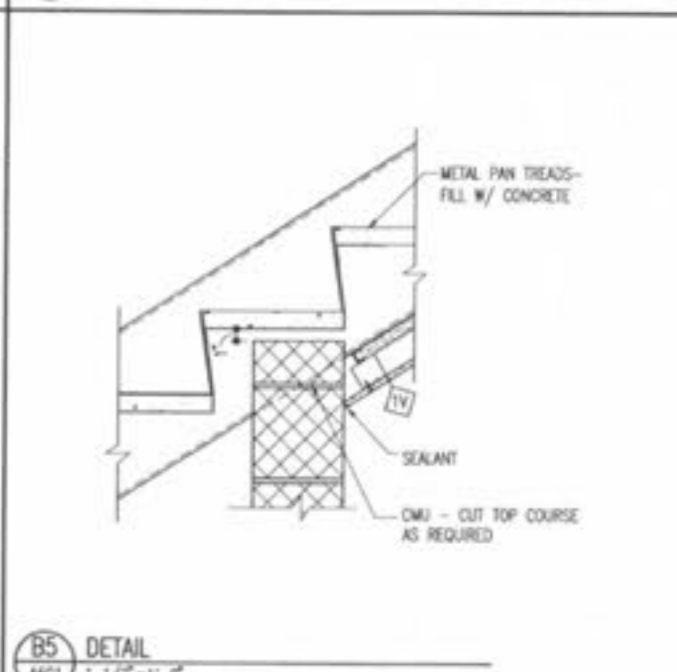
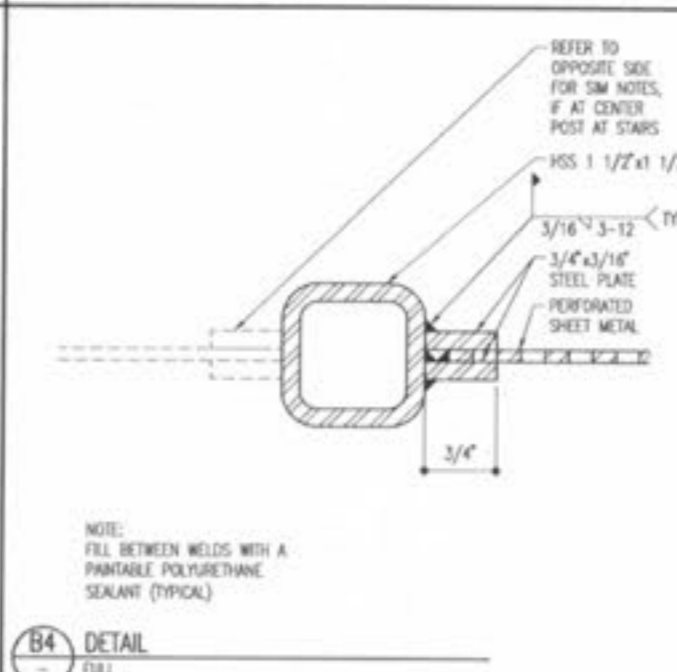
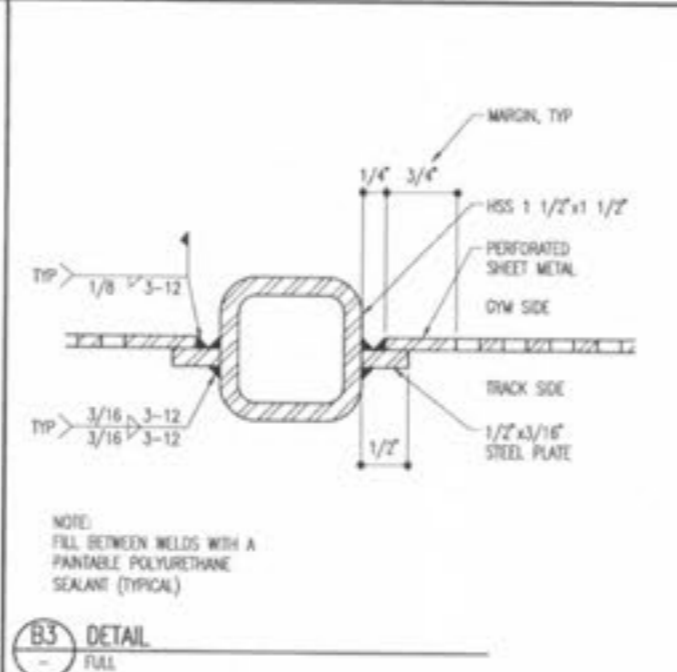
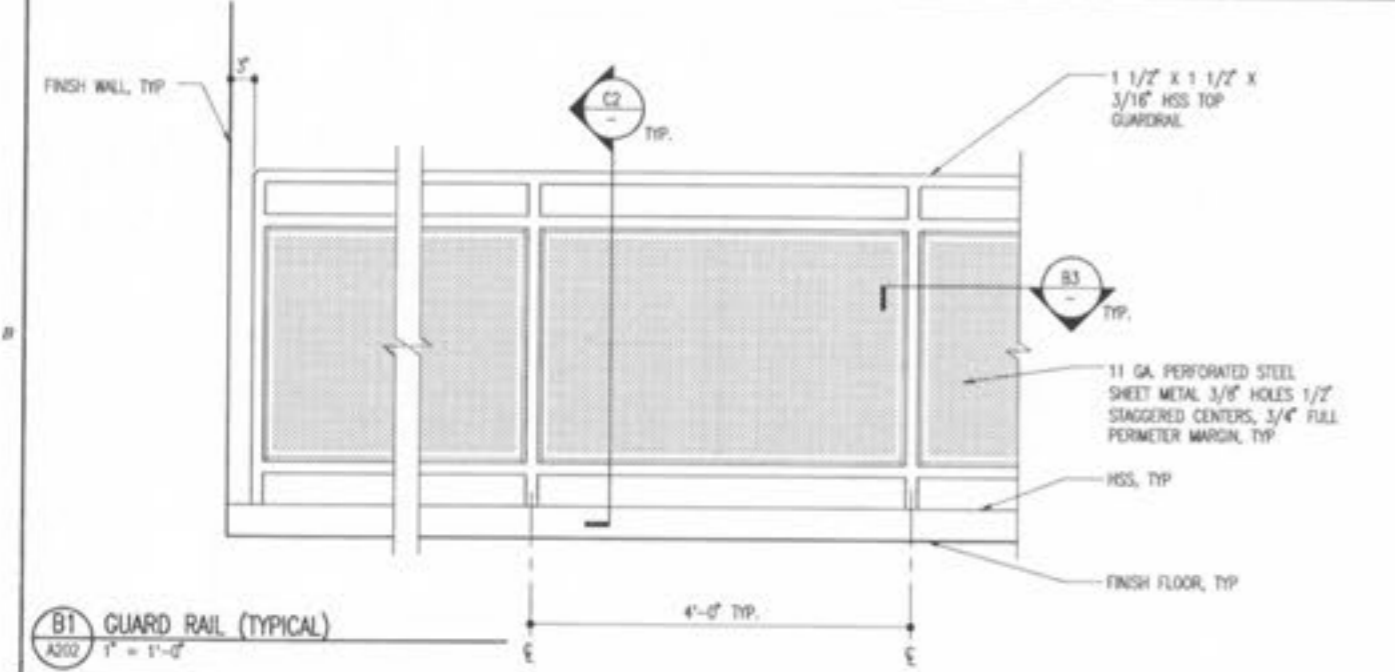
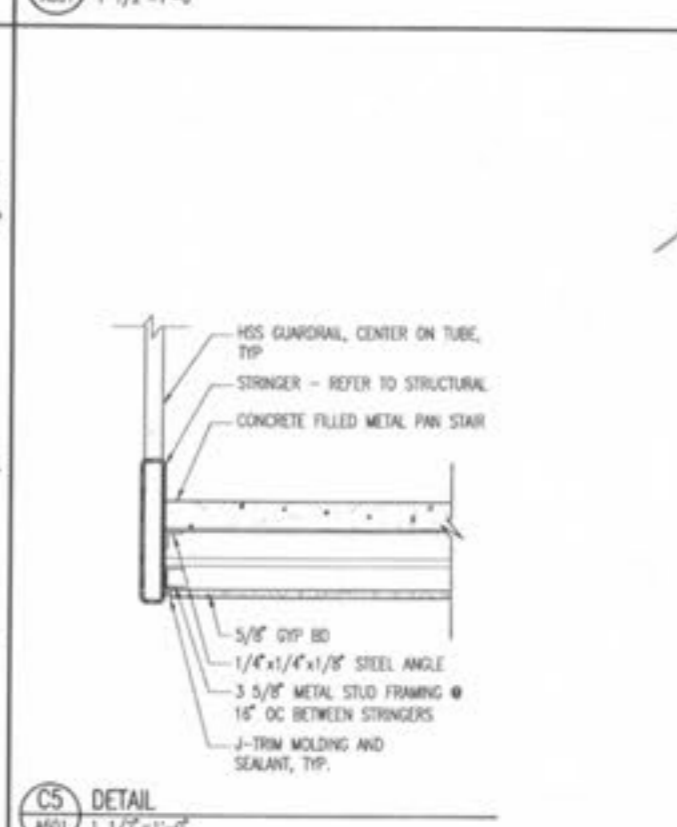
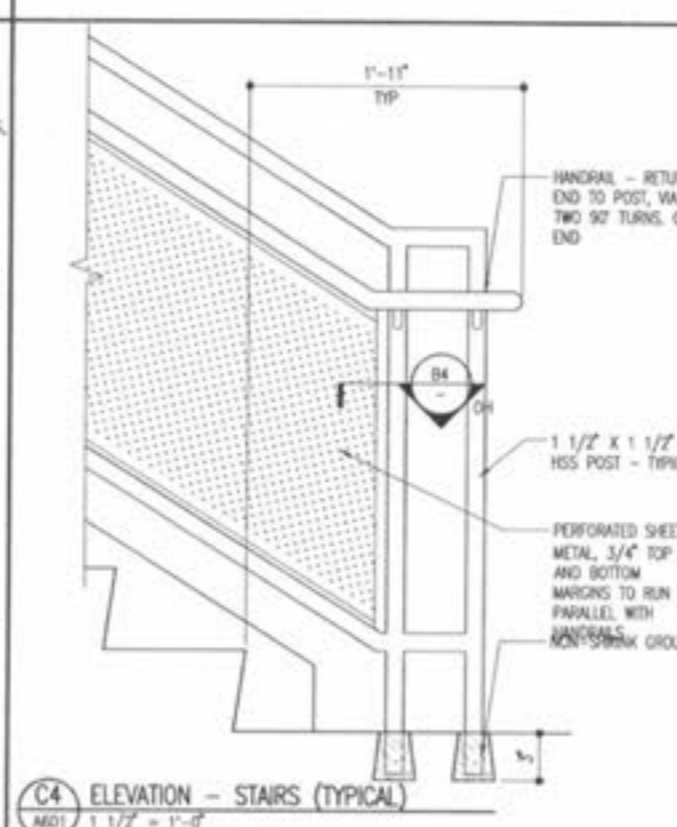
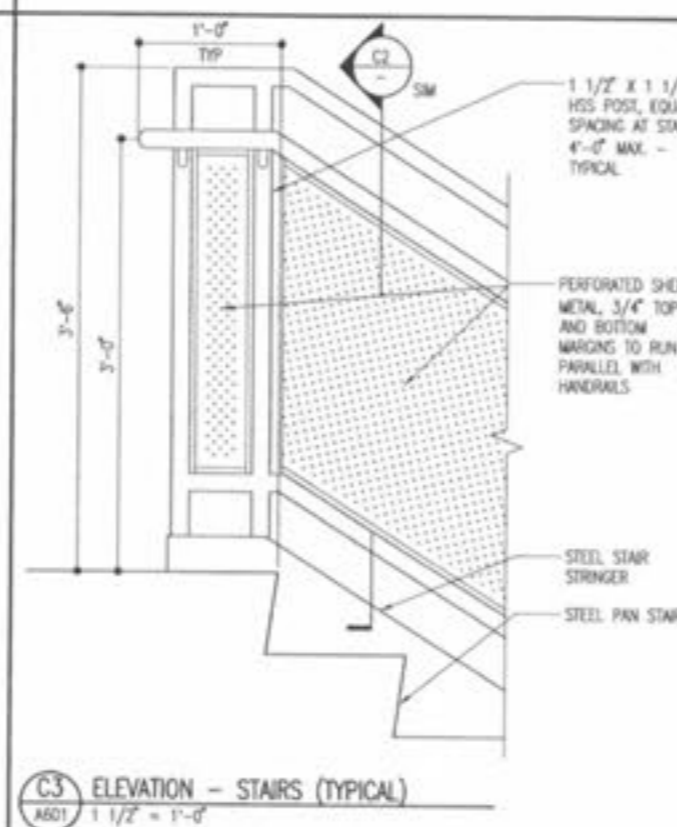
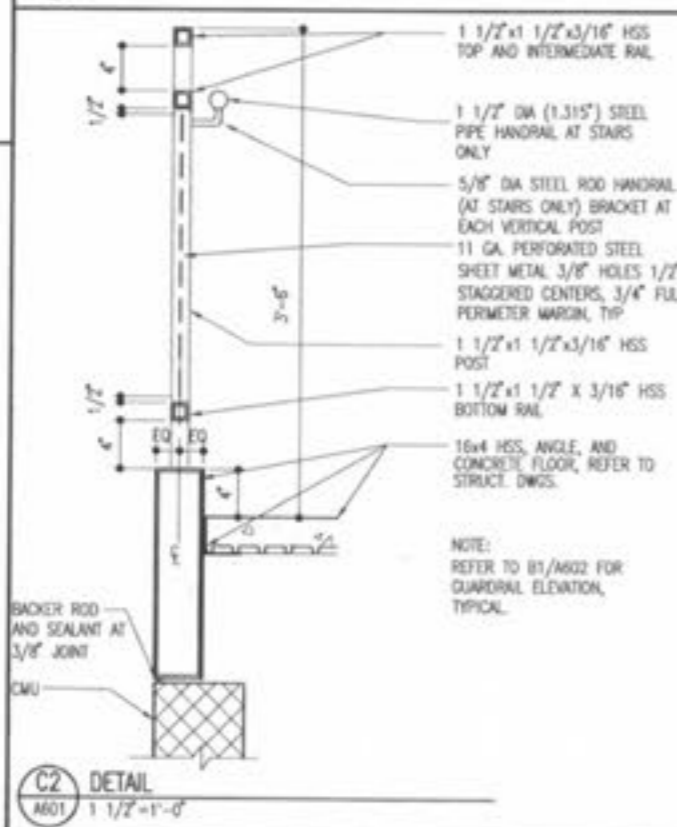
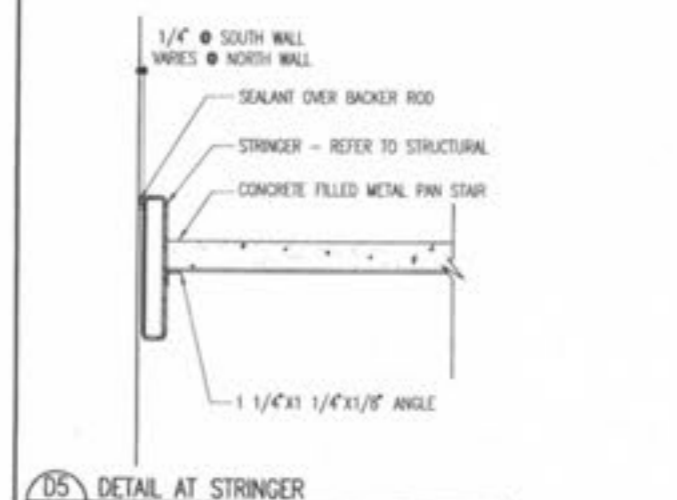
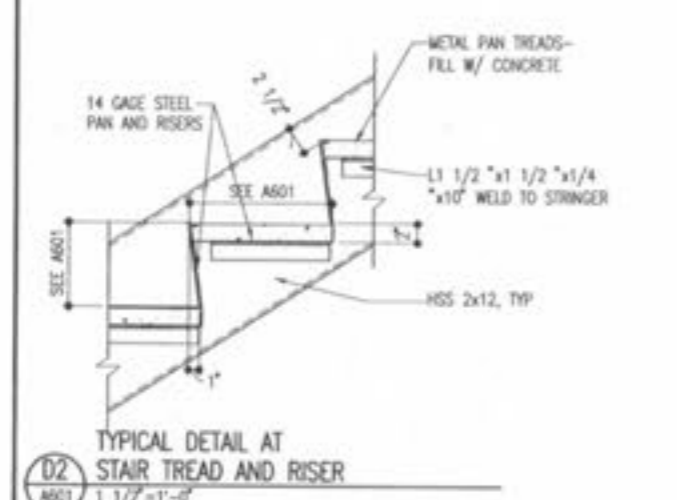




RENAUD SPIRIT CENTER
For the City of O'Fallon - Missouri



Key Plan

Scale
1/2" = 1'-0"

Jacobs Project No: F0840800
Drawing Title: ARCHITECTURAL STAIR SECTIONS AND DETAILS
Date: DECEMBER 8, 2002
Designed By: T. SHORRICK | Drawing No:
Drawn By: K. HONACKI
Checked By: M. MISSEL

A602