

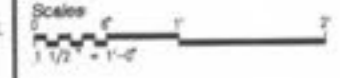
Revision
 12/9/02 ISSUED FOR BID



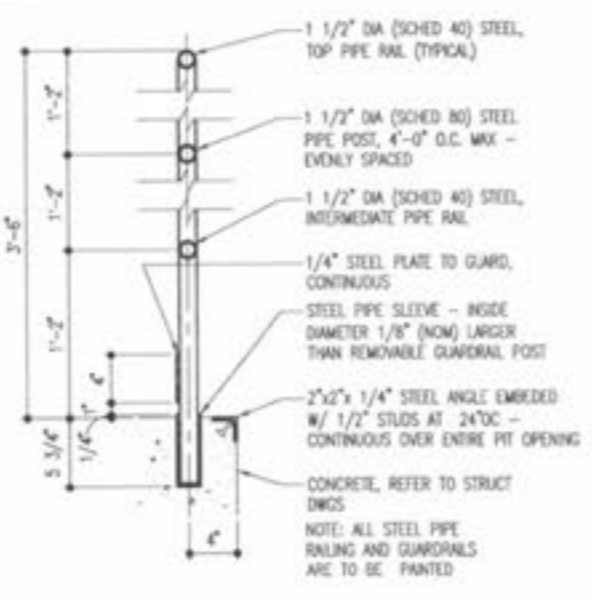
RENAUD SPIRIT CENTER
 For the City of O'Fallon - Missouri



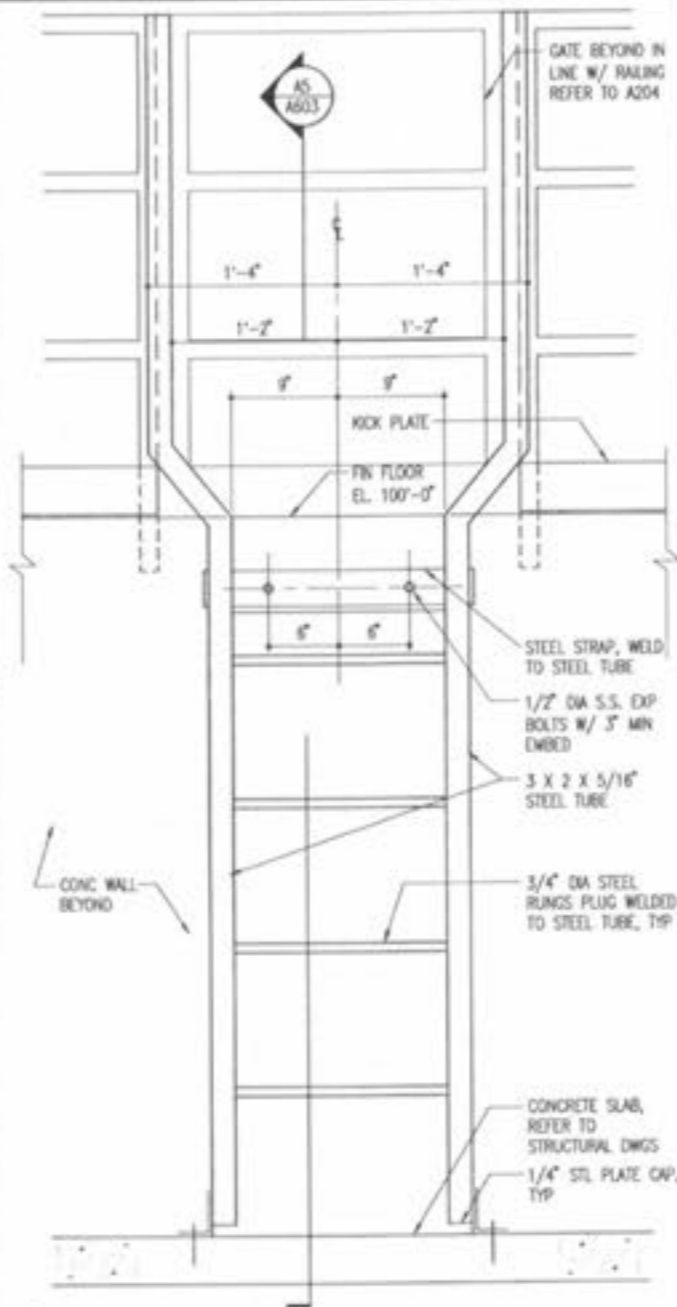
Key Plan



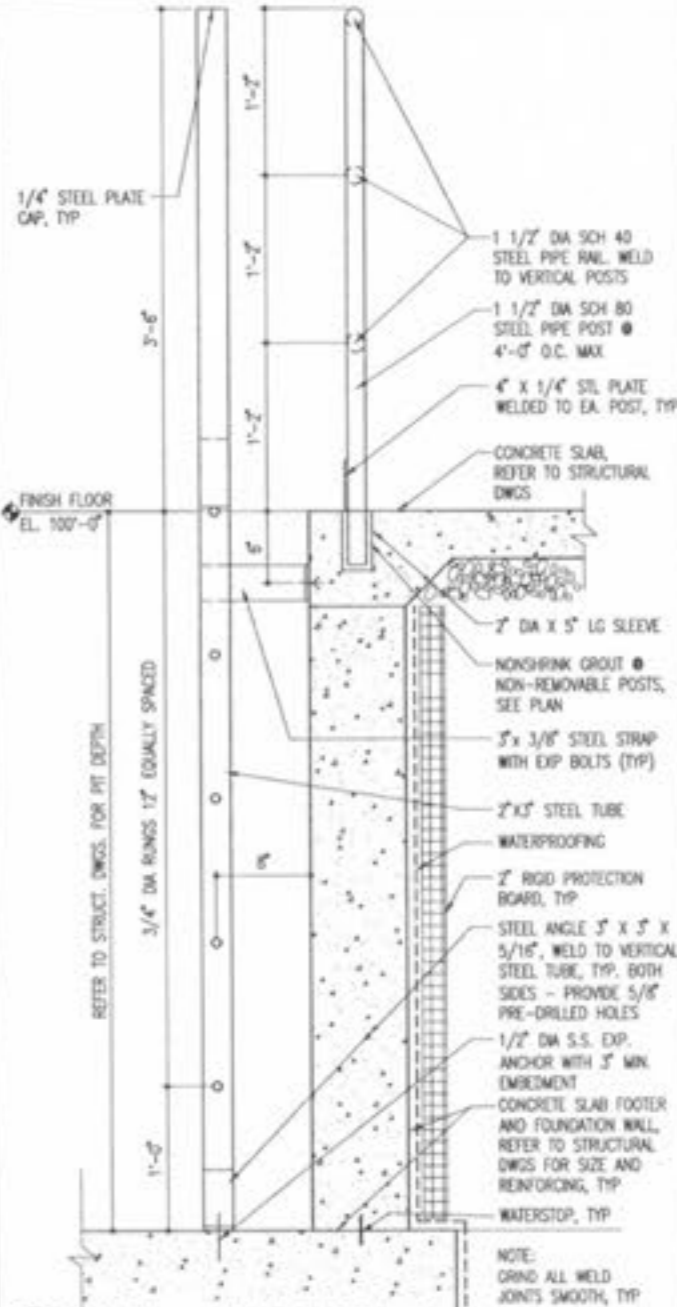
Jacobs Project No: F040000
 Drawing Title: ARCHITECTURAL STAIR SECTIONS AND DETAILS
 Date: DECEMBER 9, 2002
 Designed By: T. SHORRAD
 Drawn By: K. HONAGI
 Checked By: R. WISSEL
A603



A3
 A304 REMOVABLE GUARDRAIL SECTION DETAIL
 1 1/2" = 1'-0"



A4
 A404 ELEVATION - PUMP PIT LADDER
 1 1/2" = 1'-0"



A5
 A503 SECTION - PUMP PIT LADDER
 1 1/2" = 1'-0"