



**RENAUD SPIRIT CENTER**  
For the City of O'Fallon - Missouri

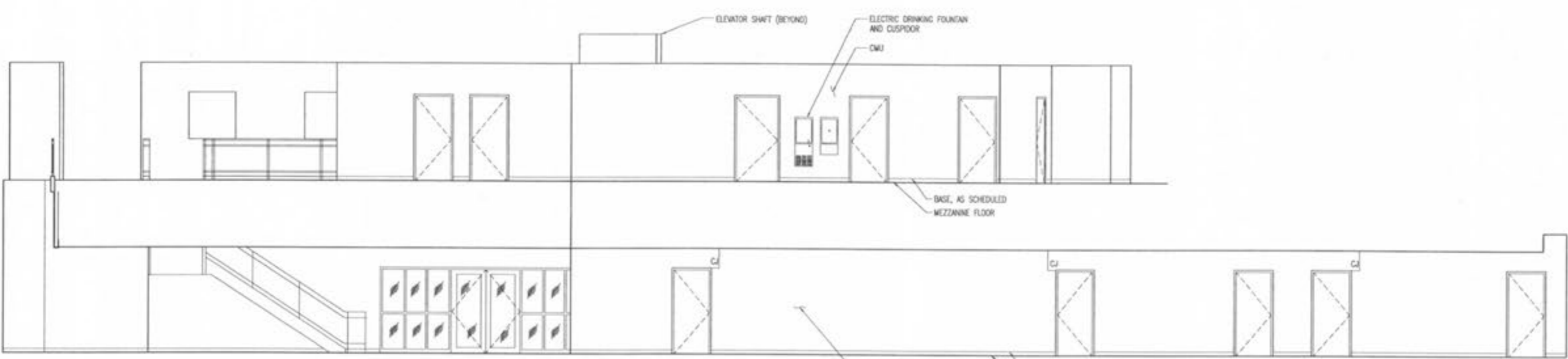


Key Plan

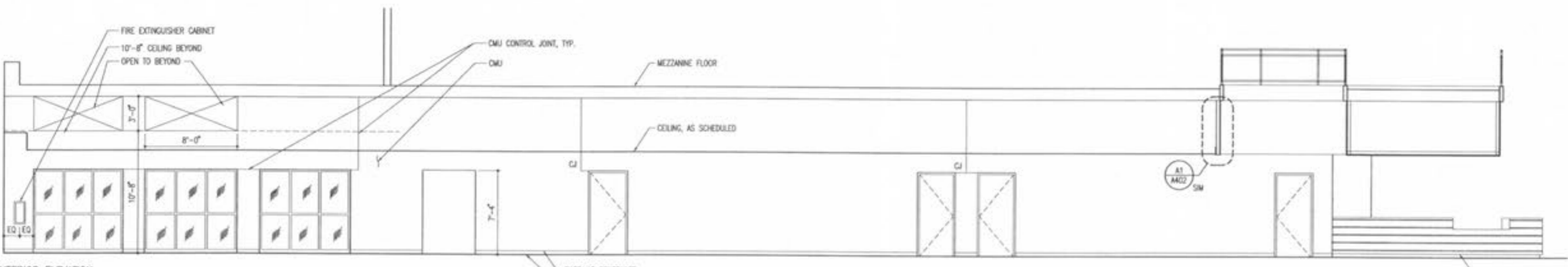


Jacobs Project No: FW40900  
Drawing Title: ARCHITECTURAL INTERIOR ELEVATIONS

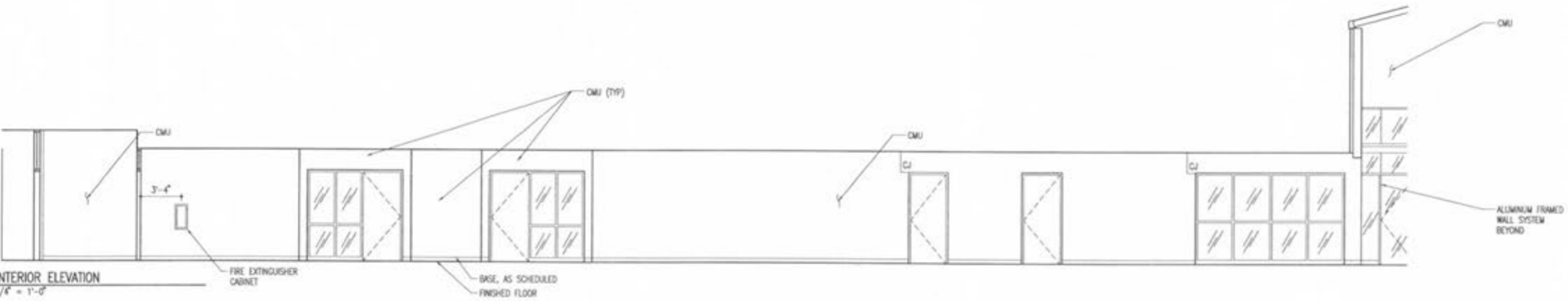
Date: DECEMBER 9, 2002  
Designed By: T SHEPARD  
Drawn By: K HORNACEK  
Checked By: R MESSER  
Drawing No: **A705**



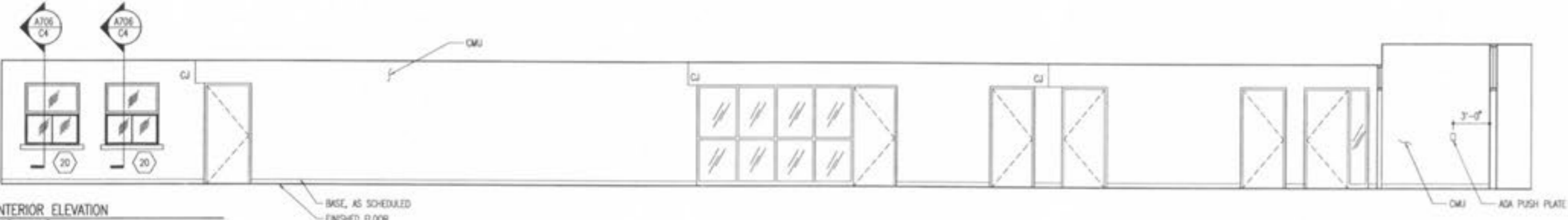
**D1** INTERIOR ELEVATION  
A201 1/4" = 1'-0"



**C1** INTERIOR ELEVATION  
A201 1/4" = 1'-0"



**B1** INTERIOR ELEVATION  
A203 1/4" = 1'-0"



**A1** INTERIOR ELEVATION  
A203 1/4" = 1'-0"