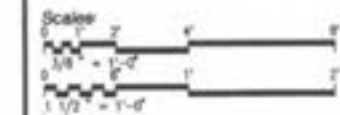




RENAUD SPIRIT CENTER
For the City of O'Fallon - Missouri

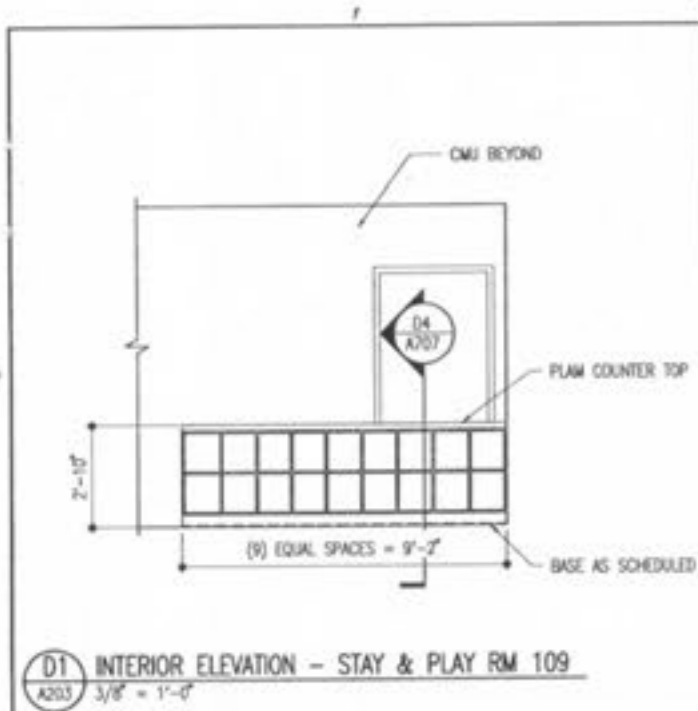


Key Plan

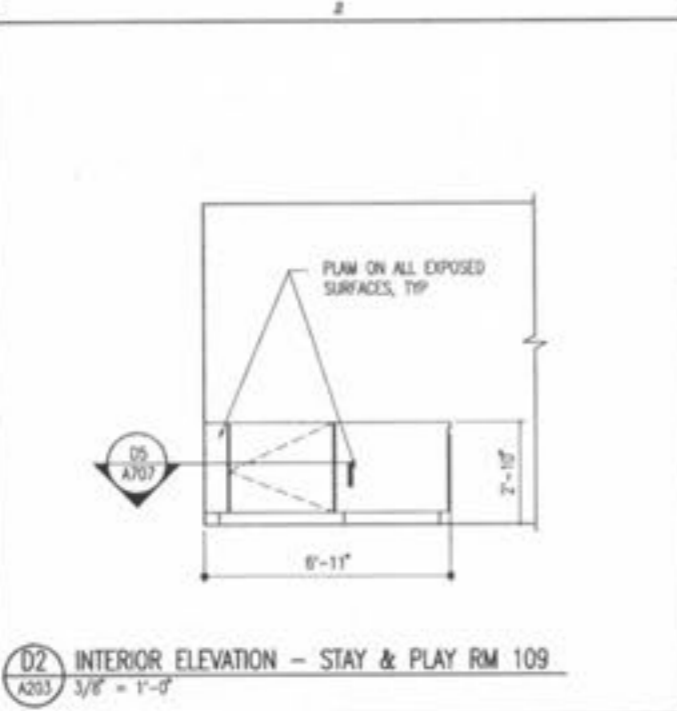


Jacobs Project No: F240000
Drawing Title: ARCHITECTURAL INTERIOR ELEVATIONS AND DETAILS

Date: DECEMBER 9, 2002
Designed By: I. SHIMKO Drawing No:
Drawn By: K. HONACKI
Checked By: J. HESSL A707



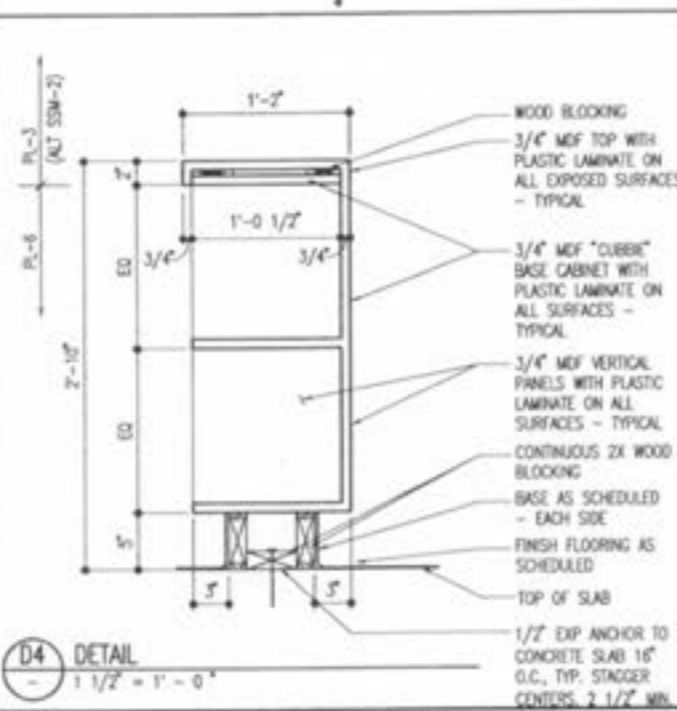
D1 INTERIOR ELEVATION - STAY & PLAY RM 109
A203 3/8" = 1'-0"



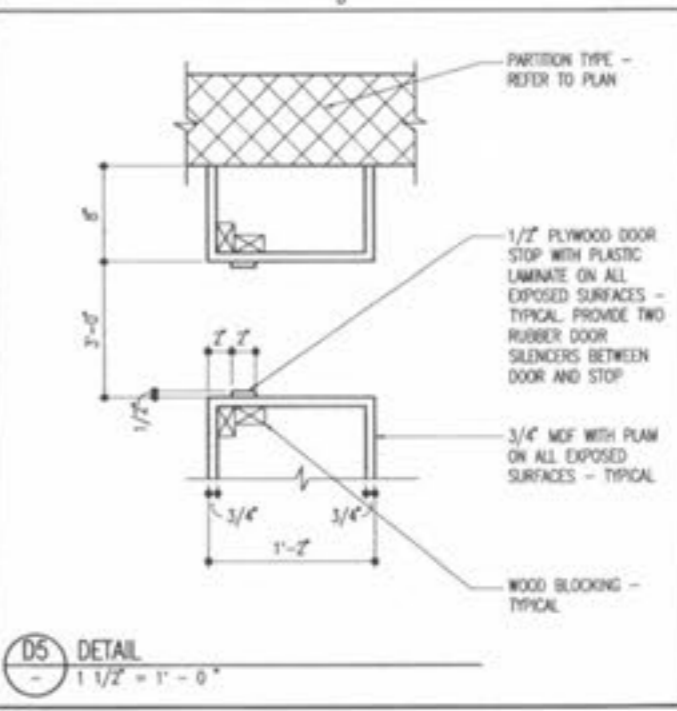
D2 INTERIOR ELEVATION - STAY & PLAY RM 109
A203 3/8" = 1'-0"



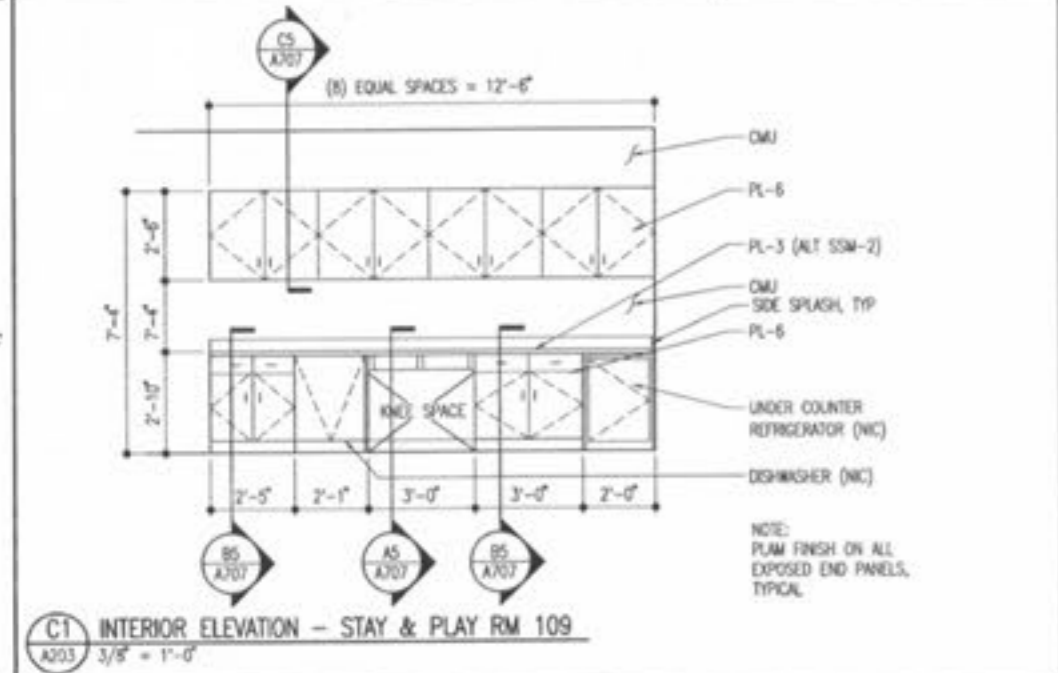
D3 INTERIOR ELEVATION - STAY & PLAY RM 109
A203 3/8" = 1'-0"



D4 DETAIL
A203 1 1/2" = 1'-0"



D5 DETAIL
A203 1 1/2" = 1'-0"



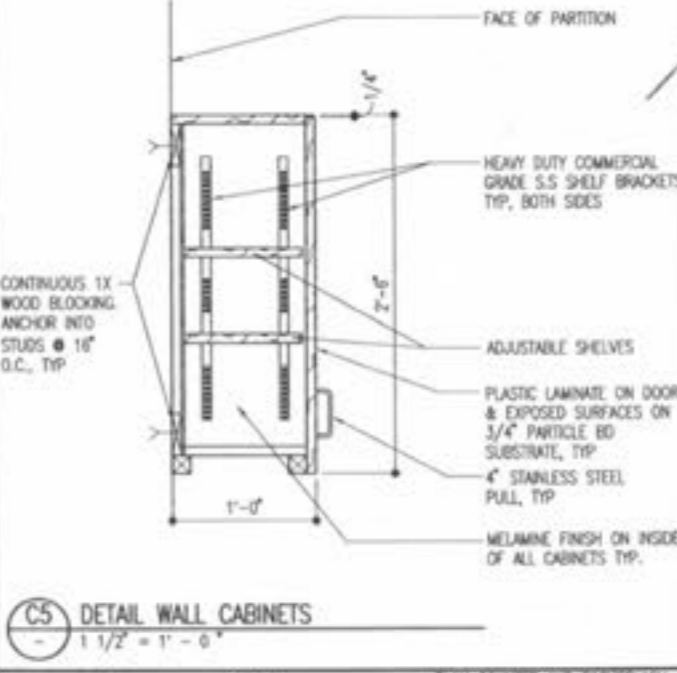
C1 INTERIOR ELEVATION - STAY & PLAY RM 109
A203 3/8" = 1'-0"



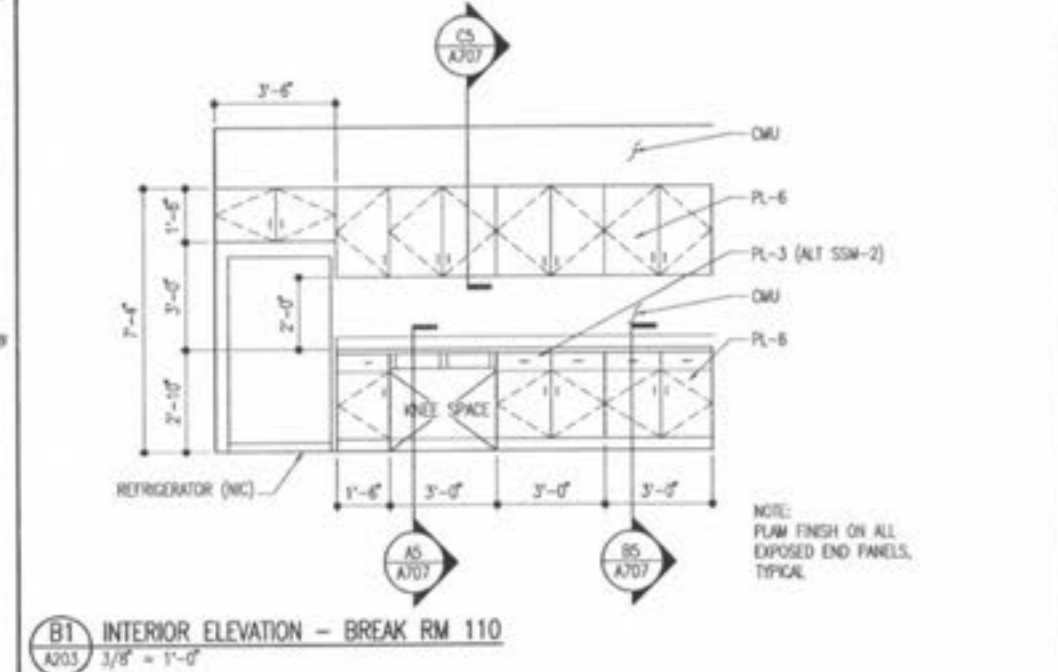
C2 INTERIOR ELEVATION - STAY & PLAY RM 109
A203 3/8" = 1'-0"



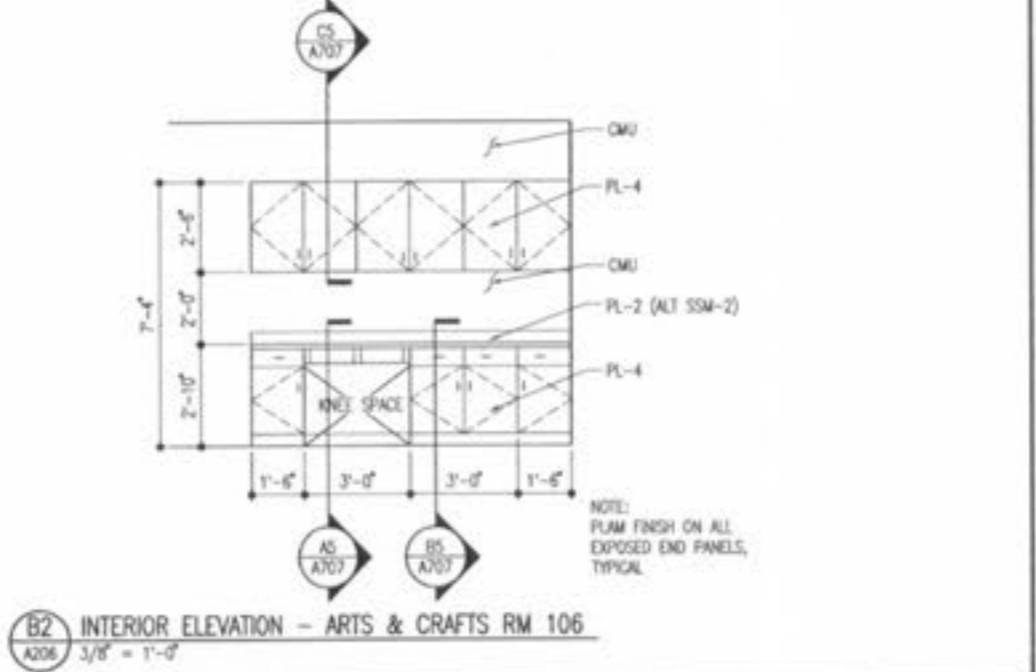
C3 INTERIOR ELEVATION - STAY & PLAY RM 109
A203 3/8" = 1'-0"



C5 DETAIL WALL CABINETS
A203 1 1/2" = 1'-0"



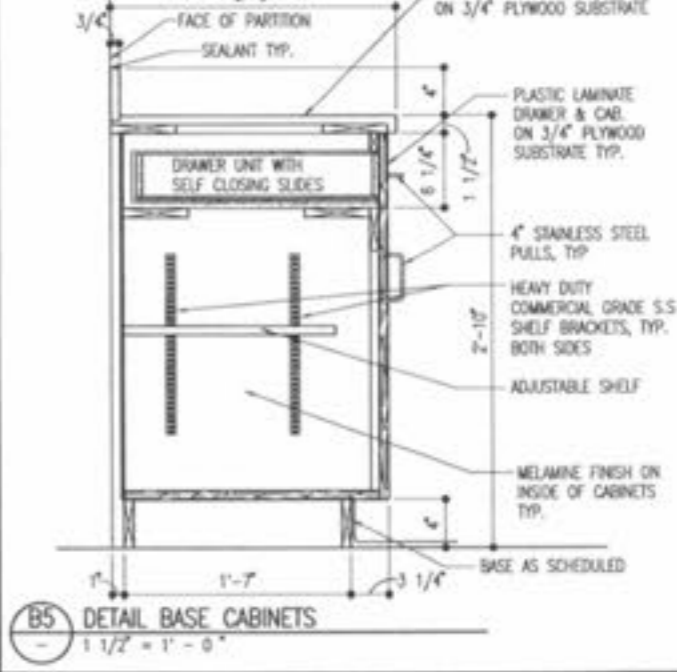
B1 INTERIOR ELEVATION - BREAK RM 110
A203 3/8" = 1'-0"



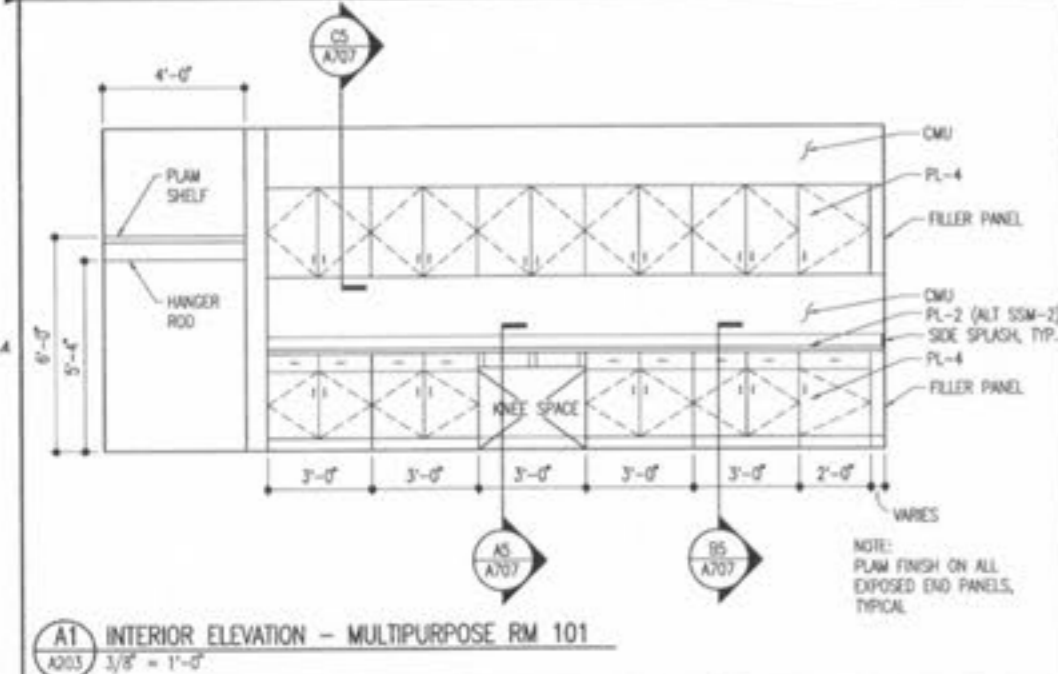
B2 INTERIOR ELEVATION - ARTS & CRAFTS RM 106
A206 3/8" = 1'-0"



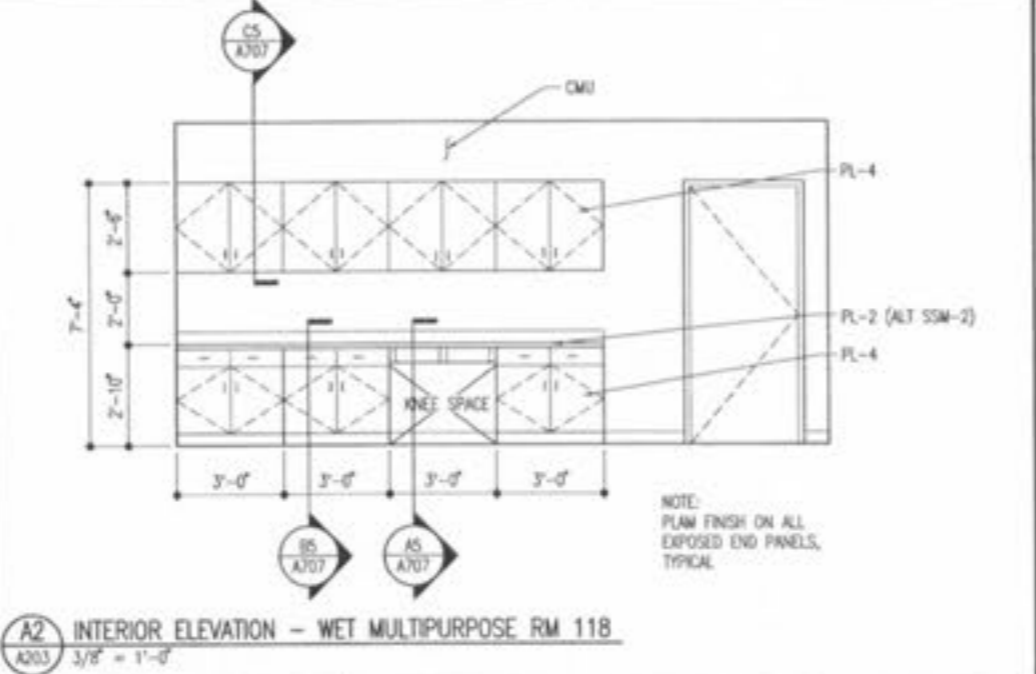
B3 INTERIOR ELEVATION - BREAK RM 110
A203 3/8" = 1'-0"



B5 DETAIL BASE CABINETS
A203 1 1/2" = 1'-0"



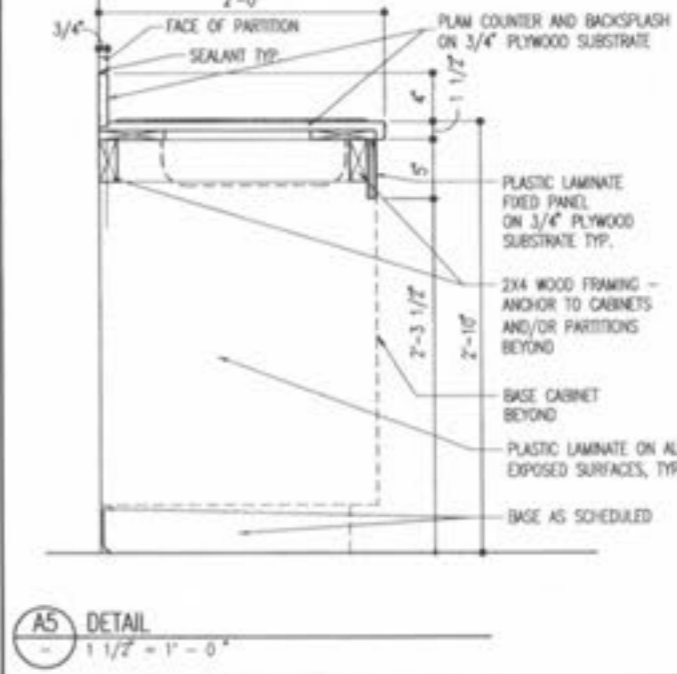
A1 INTERIOR ELEVATION - MULTIPURPOSE RM 101
A203 3/8" = 1'-0"



A2 INTERIOR ELEVATION - WET MULTIPURPOSE RM 118
A203 3/8" = 1'-0"



A3 INTERIOR ELEVATION - MULTIPURPOSE RM 101
A203 3/8" = 1'-0"



A5 DETAIL
A203 1 1/2" = 1'-0"