



**RENAUD SPIRIT CENTER**  
 For the City of O'Fallon - Missouri

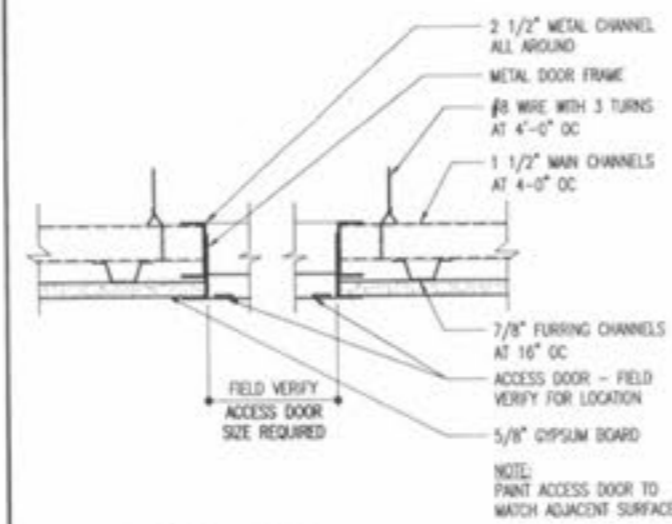


Key Plan

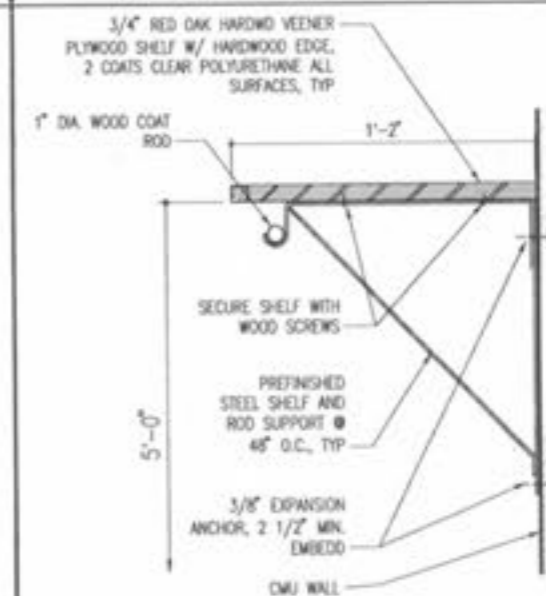


Jacobs Project No: FSW0000  
 Drawing Title: ARCHITECTURAL MISCELLANEOUS DETAILS

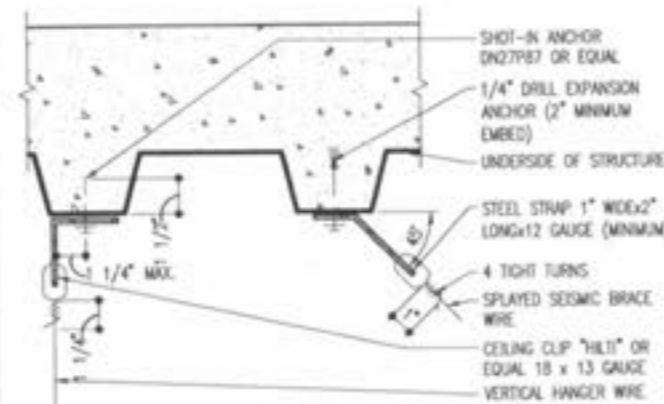
Date: DECEMBER 8, 2002  
 Designed By: I. GILBERT  
 Drawn By: K. HONICK  
 Checked By: H. METZ  
 A711



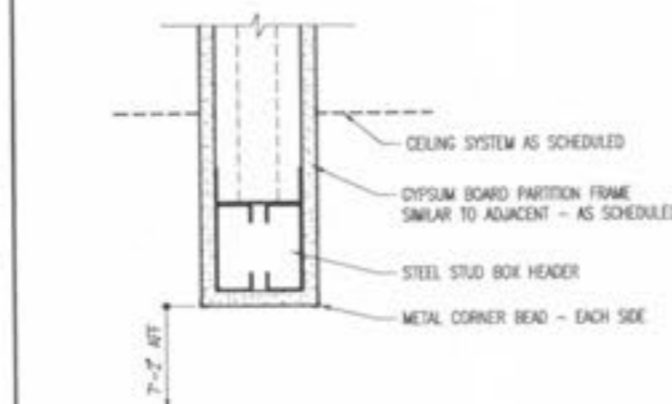
D3 CEILING ACCESS DOOR AT GYPSUM BOARD CEILING  
 A501 3' = 1'-0"



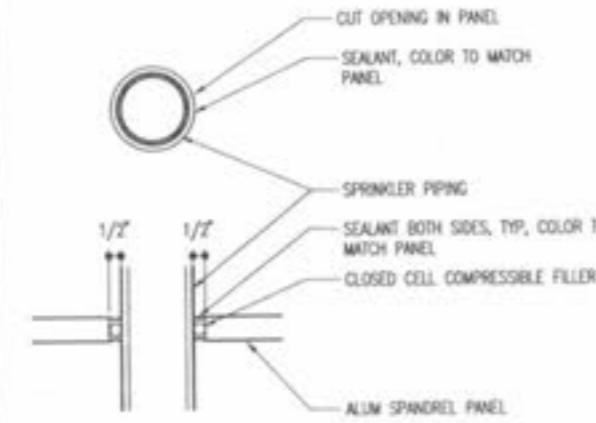
D5 SHELF AND ROD DETAIL  
 A201 NTS



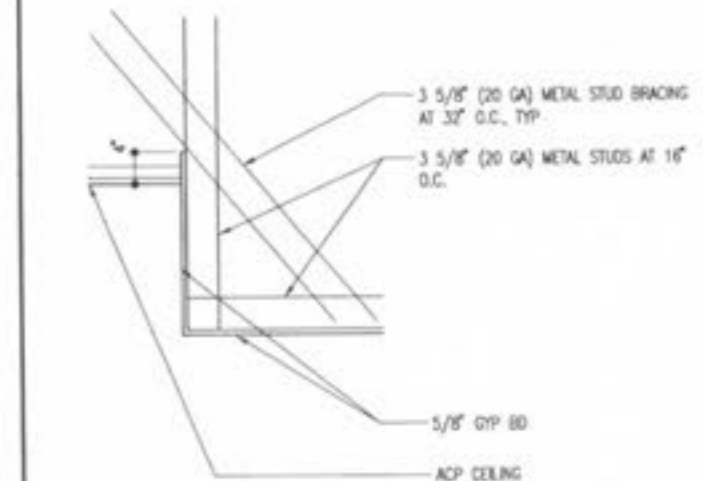
C2 VERTICAL HANGER AND BRACING WIRE  
 A501 3' = 1'-0"



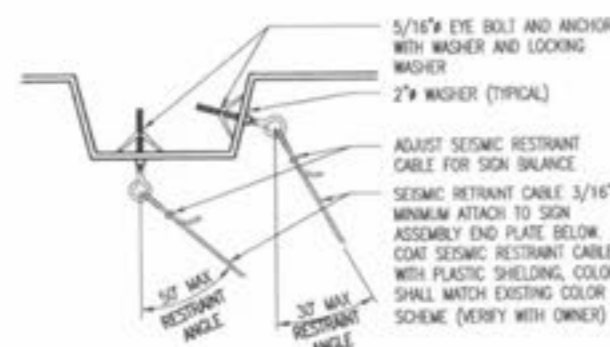
C3 TYPICAL BULKHEAD CEILING DETAIL  
 A501 3' = 1'-0"



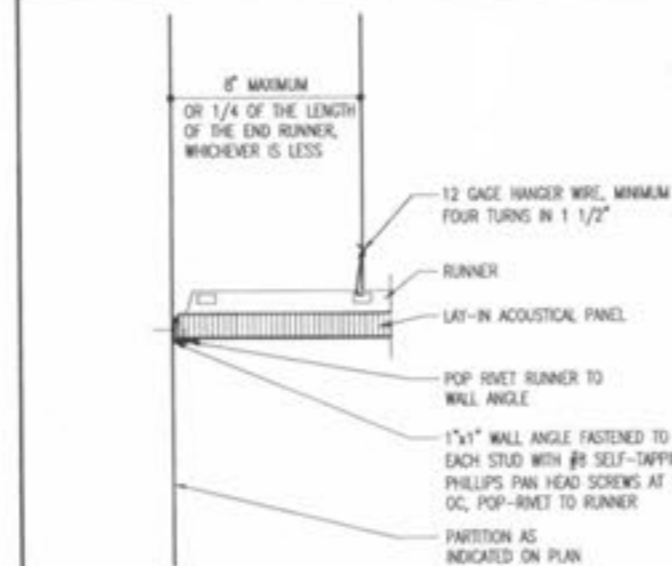
C4 PENETRATION DETAIL  
 A304 3' = 1'-0"



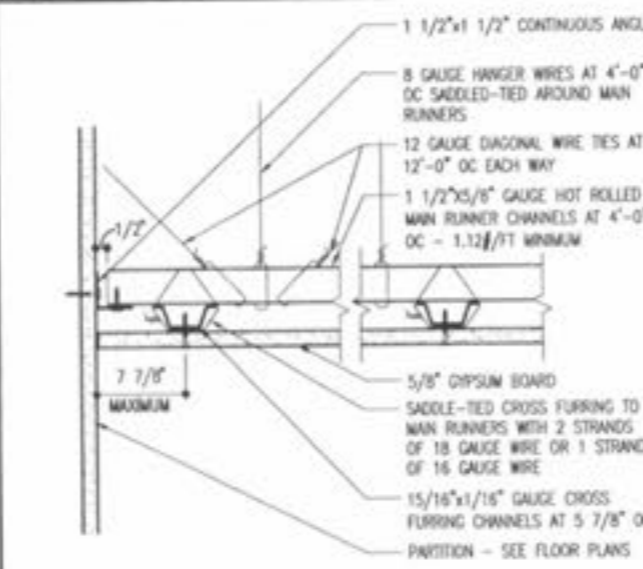
C5 DETAIL  
 A303 3' = 1'-0"



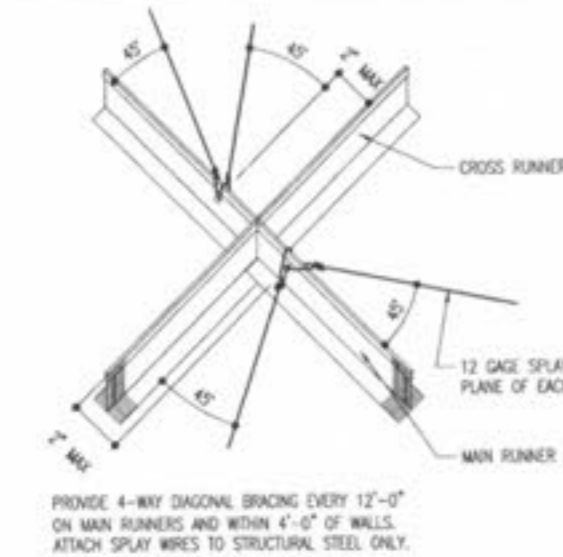
B2 RESTRAINING CABLE CONNECTION  
 A501 3' = 1'-0"



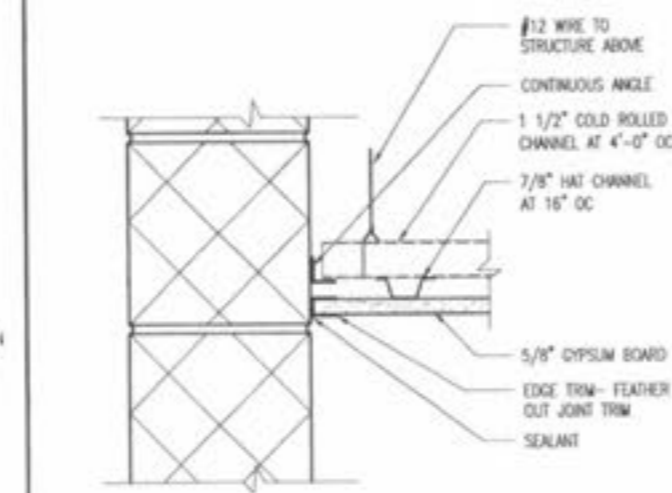
B3 CEILING PERIMETER (FIXED END)  
 A501 3' = 1'-0"



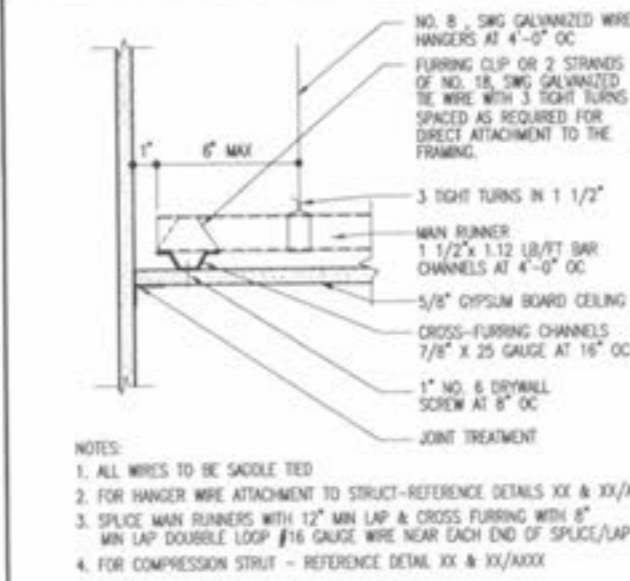
B4 GYPSUM BOARD SEISMIC CEILING SUSPENSION DETAIL  
 A501 3' = 1'-0"



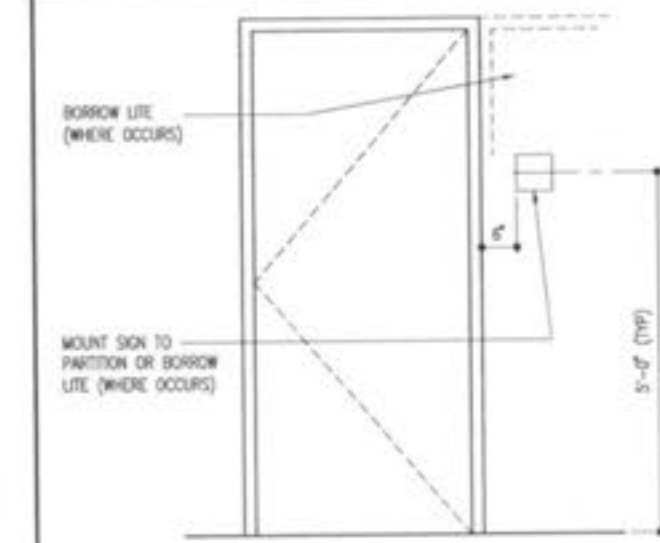
A2 BRACING DETAIL  
 A501 NTS



A3 SUSPENDED GYPSUM CEILING DETAIL AT CMU  
 A501 3' = 1'-0"



A4 SUSPENDED GYPSUM BOARD CEILING  
 A501 3' = 1'-0"



A5 ROOM IDENTIFICATION SIGNAGE  
 A501 NTS