



**RENAUD SPIRIT CENTER**  
For the City of O'Fallon - Missouri

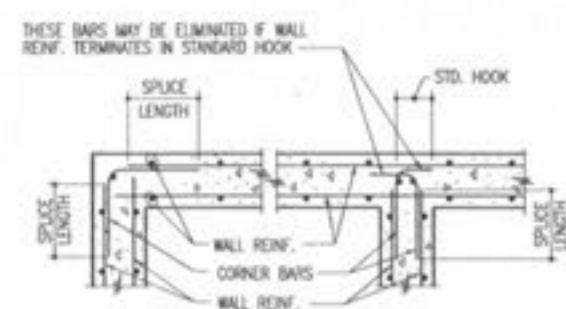


Key Plan

Scale

Jacobs Project No: F0W4000  
Drawing Title: STRUCTURAL TYPICAL DETAILS

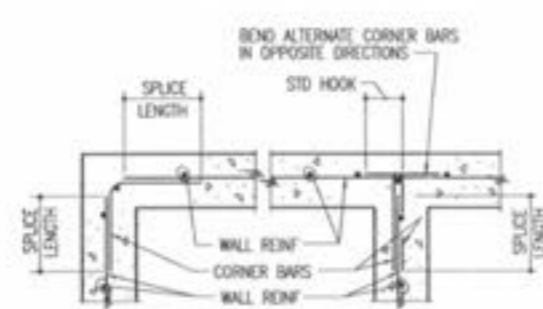
Date: DECEMBER 9, 2002  
Designed By: T. BRANNEN | Drawing No:  
Drawn By: JAW | Checked By: S002



NOTE: CORNER BAR SIZE, SPACING AND LOCATION SAME AS HORIZ. WALL REIN. SEE GENERAL NOTES FOR SPLICE LENGTH.

DOUBLE LAYER

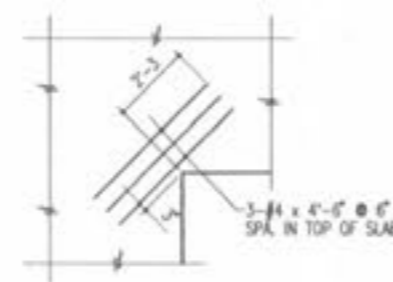
D1 CORNER BARS FOR WALL REINFORCEMENT  
NTS



NOTE: CORNER BAR SIZE, SPACING AND LOCATION SAME AS HORIZ. WALL REIN. SEE GENERAL NOTES FOR SPLICE LENGTH.

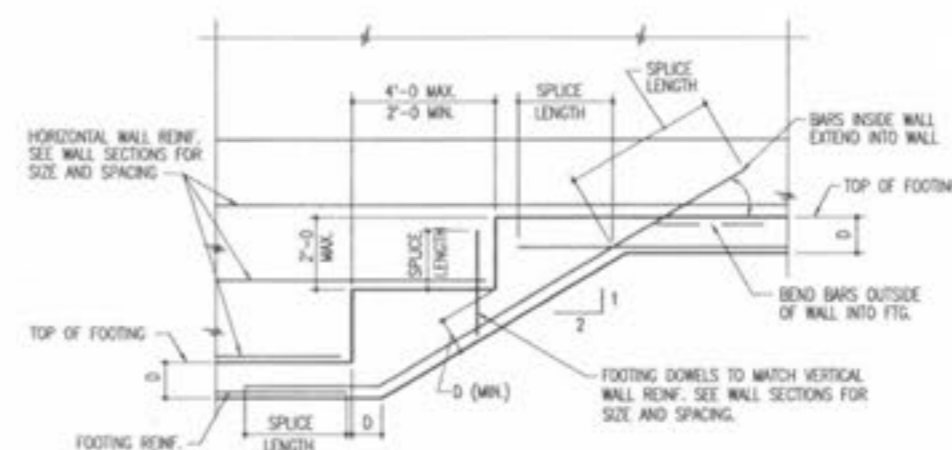
SINGLE LAYER

D2 CORNER BARS FOR WALL REINFORCEMENT  
NTS



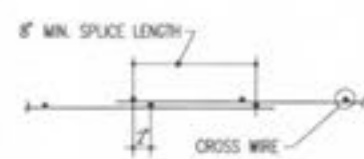
AT RE-ENTRANT CORNERS AND AT OPENINGS

D3 ADDITIONAL SLAB REINFORCEMENT  
NTS



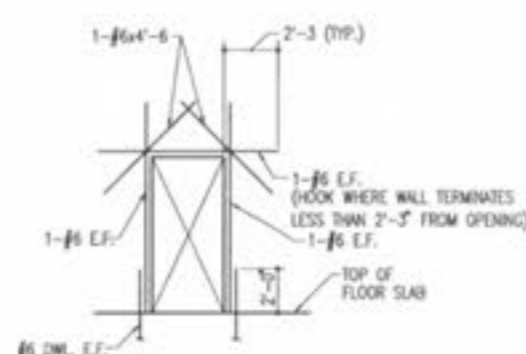
NOTES:  
1. SEE GENERAL NOTES FOR SPLICE LENGTH.  
2. DIM. D=FOOTING DEPTH. REFER TO WALL AND FOOTING SECTIONS.

D4 ELEVATION OF CONTINUOUS WALL FOOTING TRANSITION  
NTS

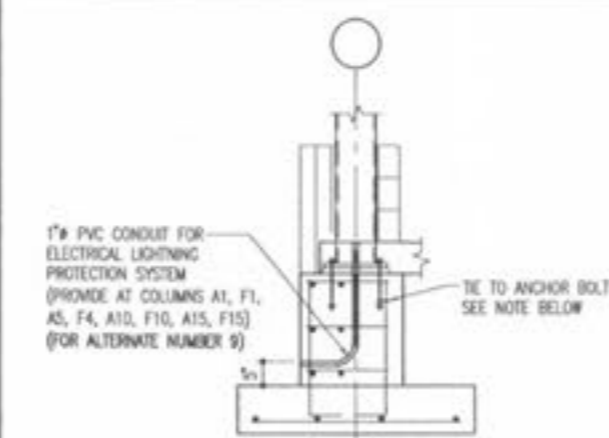


NOTE: DO NOT LAP WWF THROUGH CONTROL JOINTS OR CONSTRUCTION JOINTS.

C1 WELDED WIRE FABRIC SPLICE  
NTS

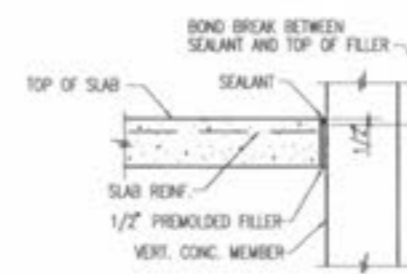


C2 CONCRETE WALL REINFORCING AT OPENINGS  
NTS

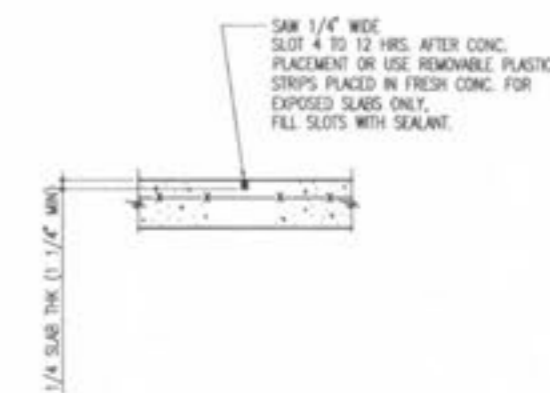


NOTE: TIE AND WELD ONE COLUMN ANCHOR BOLT TO PLASTER REINFORCING WITH #3 (A706) REBAR. (TYP AT ALL EXTERIOR COLUMNS ALONG LINES 1, 15, A, AND F)

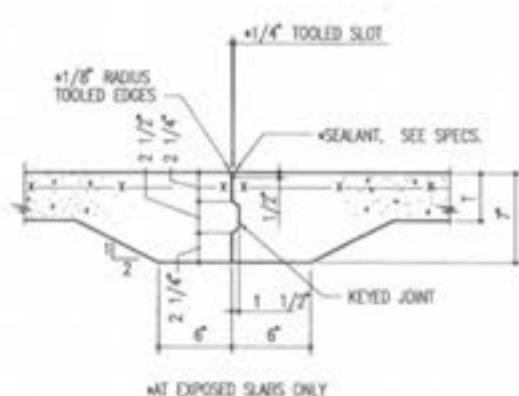
C3 TYP LIGHTNING PROTECTION DETAIL  
1/2" x 1'-0"



C4 SEALED EDGE ISOLATION JOINT (SEW)  
NTS

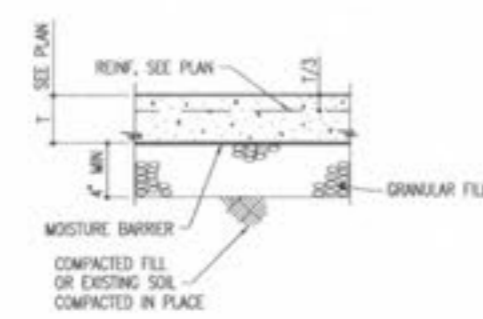


C5 CONTROL JOINT (CJ) FOR GRADE SLABS  
NTS

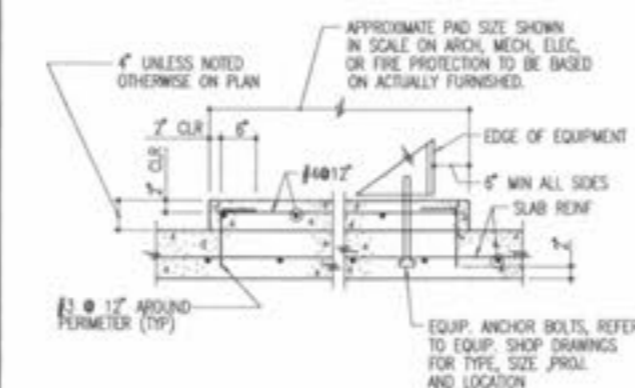


KEYED FOR GRADE SLABS

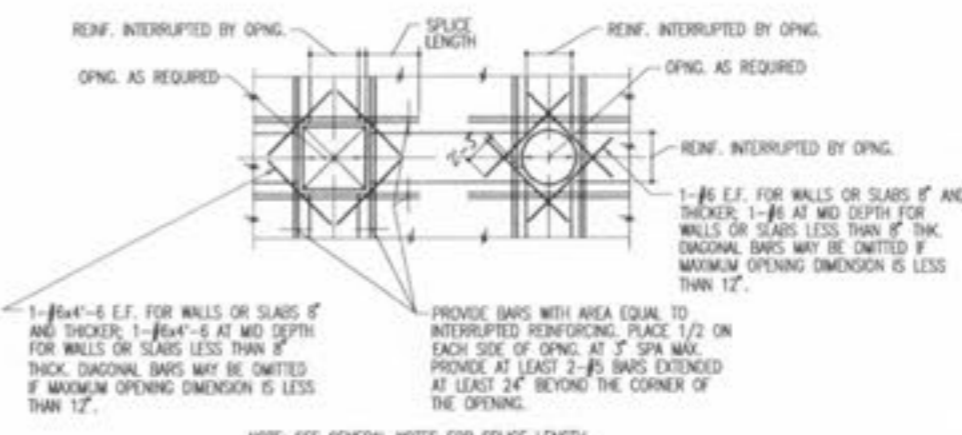
B1 CONSTRUCTION JOINT (CSJ)  
NTS



B2 GRADE SLAB CONSTRUCTION  
NTS



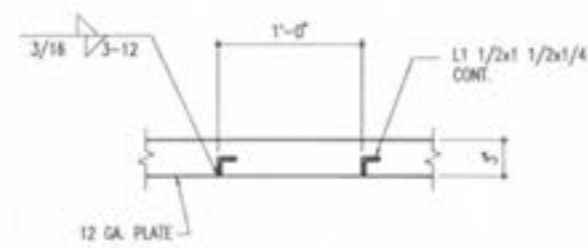
B3 MECHANICAL EQUIPMENT PAD  
NTS



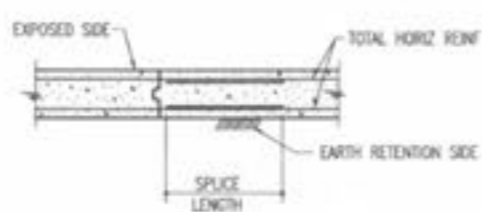
NOTE: SEE GENERAL NOTES FOR SPLICE LENGTH

WITH DIMENSIONS LESS THAN 3'-3" UNLESS OTHERWISE NOTED

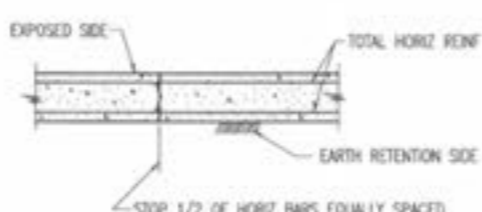
B4 REINFORCEMENT DETAILS IN WALLS AND SLAB AROUND OPENINGS  
NTS



A2 TYP. METAL PAN AT STAIR LANDINGS  
1 1/2" x 1'-0"



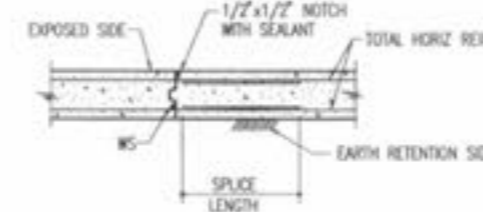
CSJ AT GRADE BEAMS



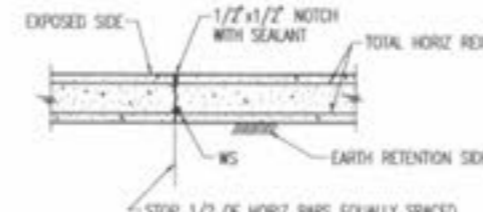
CJ AT GRADE BEAMS

A3 CONSTRUCTION AND CONTROL JOINT  
NTS

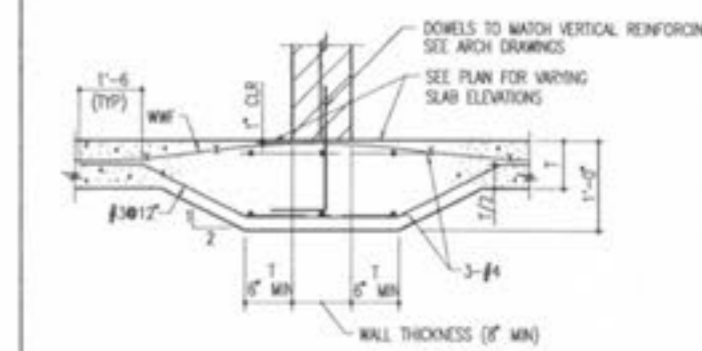
NOTE: SEE SPECIFICATIONS FOR SPLICE LENGTHS



CSJ AT WALLS



CJ AT WALLS



NOTE: SEE ARCH. DWGS FOR WALL LOCATIONS AND THICKNESSES.

A5 THICKENED GRADE SLAB AT MASONRY WALLS  
NTS