

RENAUD SPIRIT CENTER
For the City of O'Fallon - Missouri



Key Plan:

Scale:

Jacobs Project No: FSW43600
Drawing Title: STRUCTURAL TYPICAL DETAILS

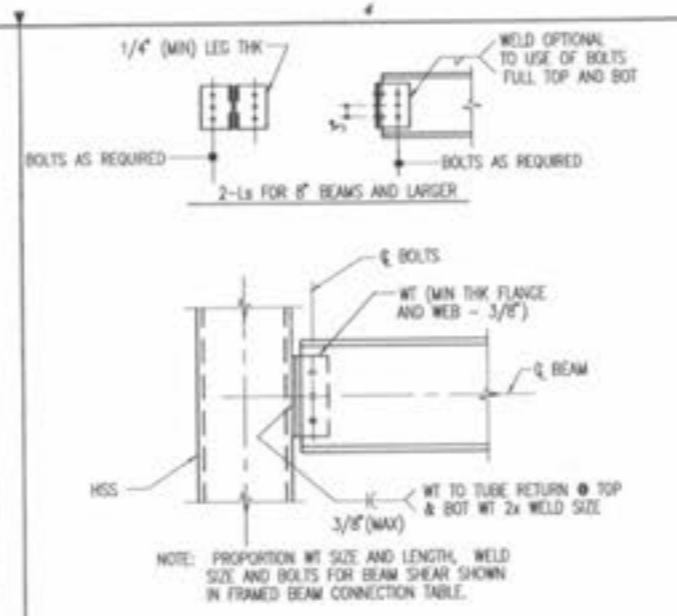
Date: DECEMBER 9, 2002
Designed By: JLR
Drawn By: JMN
Checked By: JMN
S003

FRAMED BEAM CONNECTION TABLE

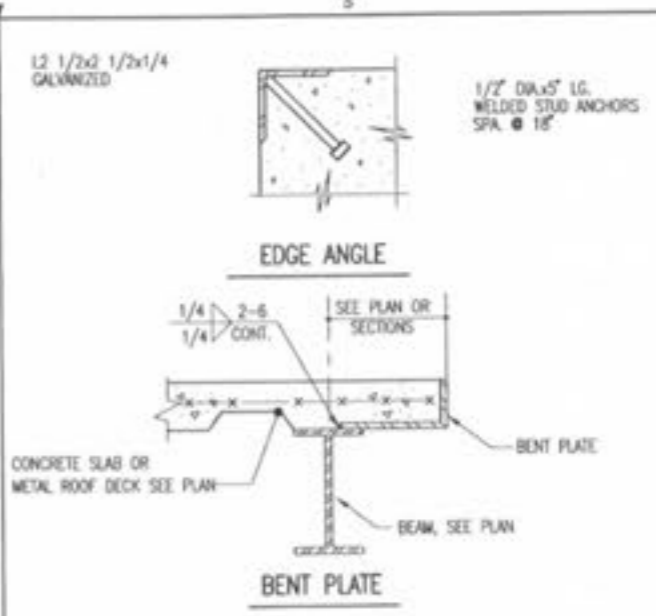
BEAM DEPTH	MIN LENGTH Ls INCHES	BEAM SHEAR KIPS*
8	5 1/2	12
10	5 1/2	12
12	5 1/2	20
14	8 1/2	24
16	8 1/2	30
18	8 1/2	40
21	11 1/2	45
24	11 1/2	55
27	11 1/2	80
30	14 1/2	75
33	17 1/2	75
36	17 1/2	90

* - USE SHEAR VALUES SHOWN TO PROPORTION CONNECTIONS EXCEPT WHERE HIGHER BEAM REACTIONS ARE SHOWN ON FRAMING PLANS OR DETAILS.

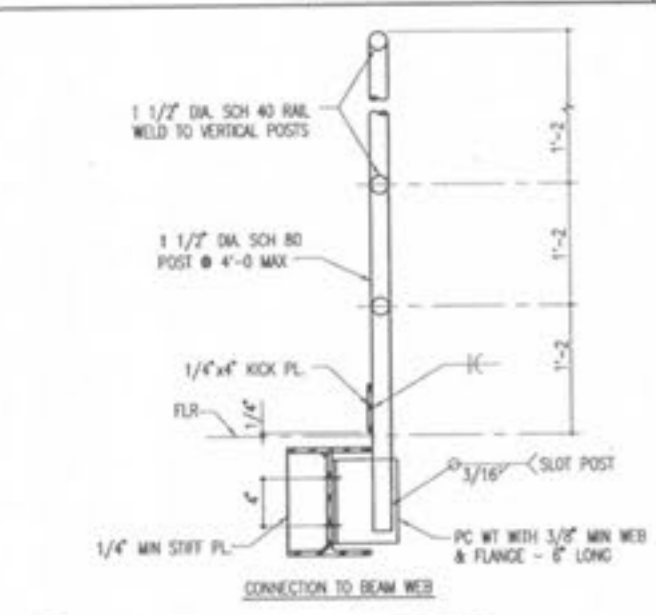
D3 FRAMED BEAM CONNECTION TABLE
NTS



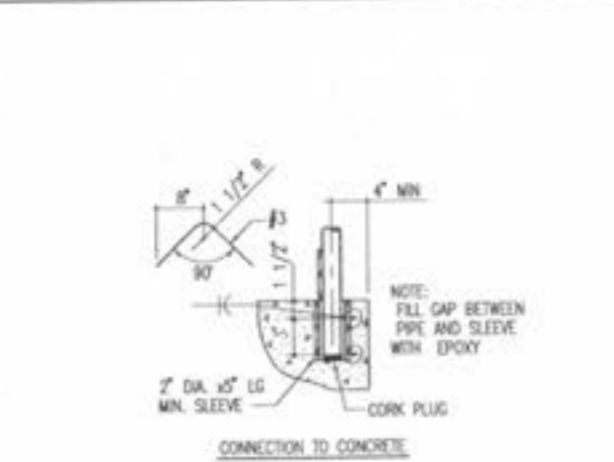
D4 FRAMED BEAM CONNECTIONS
NTS



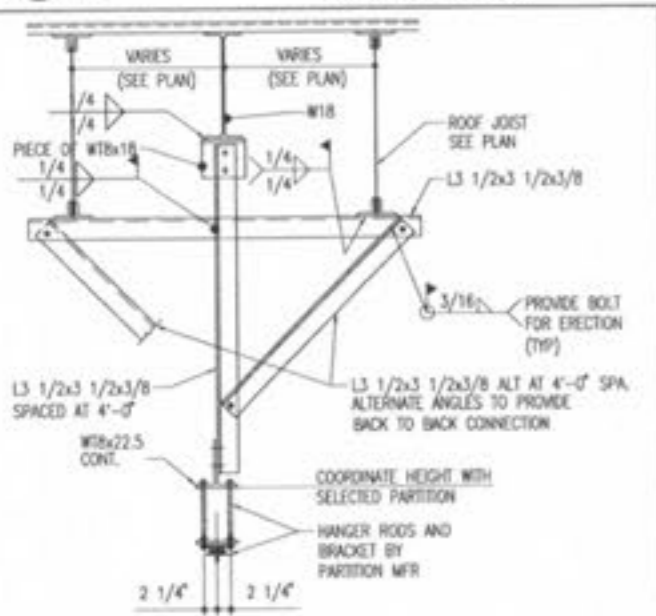
D5 TYPICAL EDGE CONDITION
NTS



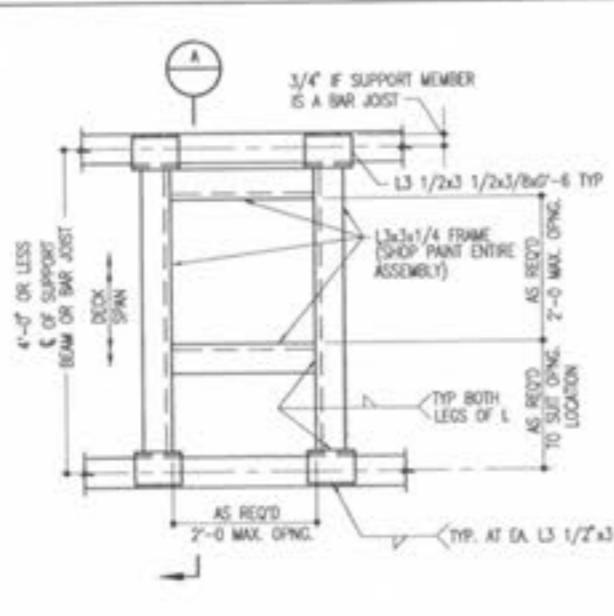
D1 HANDRAIL AND HANDRAIL CONNECTIONS
U.O.N (SEE ARCHITECTURAL)



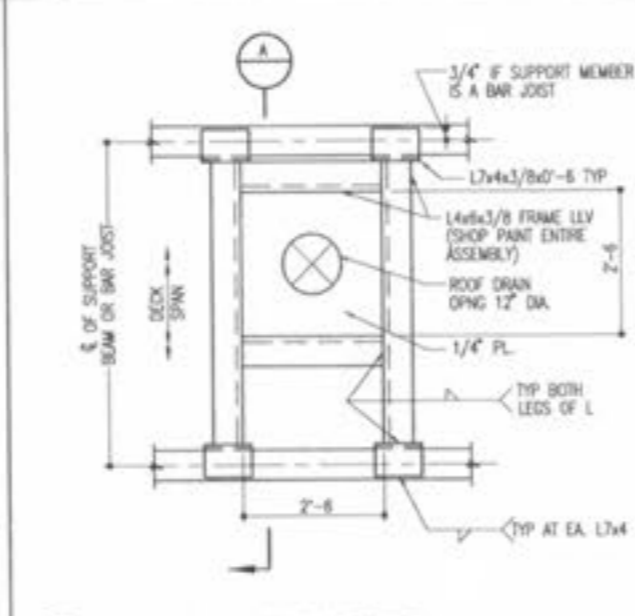
D2 FRAMED BEAM CONNECTION TABLE
NTS



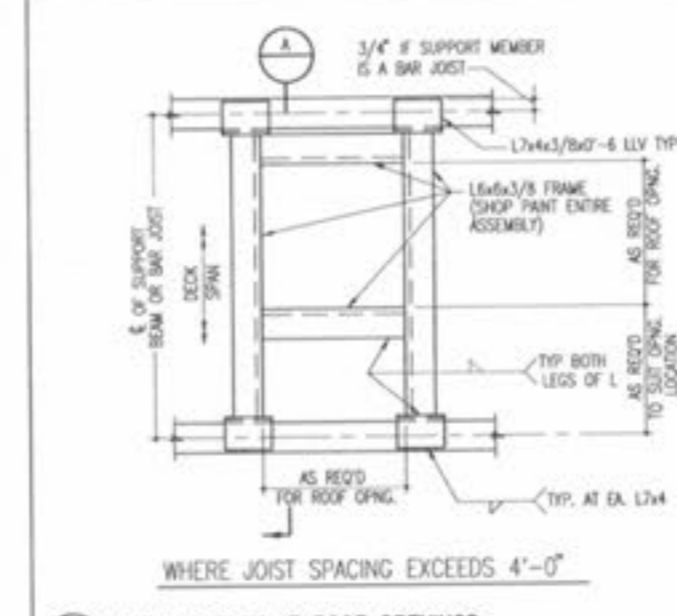
C1 TYPICAL PARTITION SUPPORT DETAIL
NTS



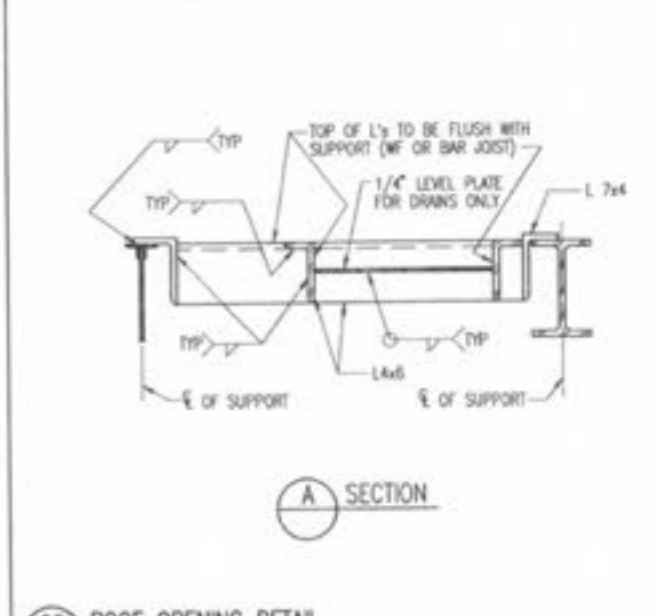
C2 FRAMING PLAN AT ROOF OPENINGS
NTS



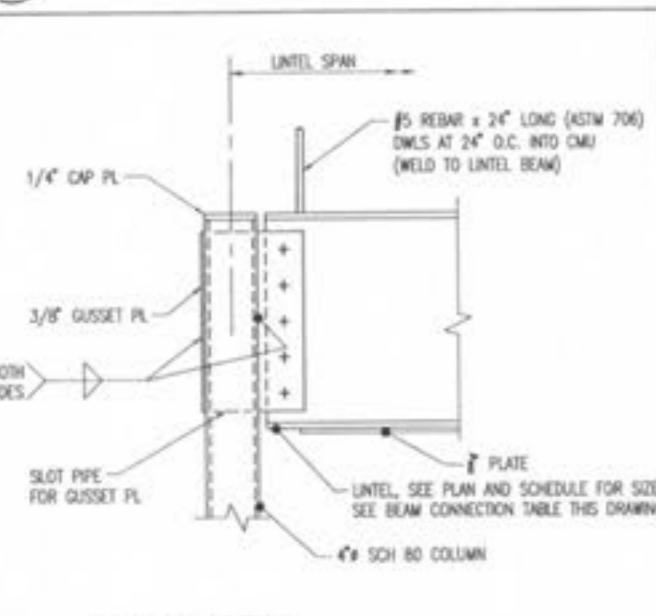
C3 FRAMING PLAN AT ROOF DRAINS
NTS



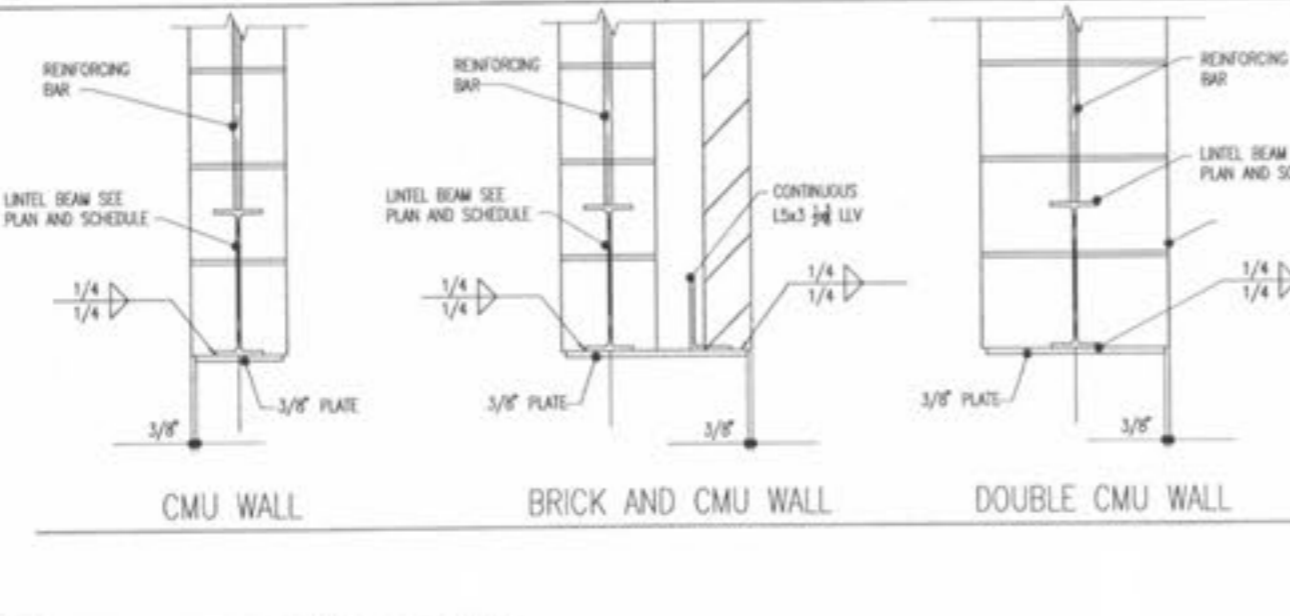
C4 FRAMING PLAN AT ROOF OPENINGS
NTS



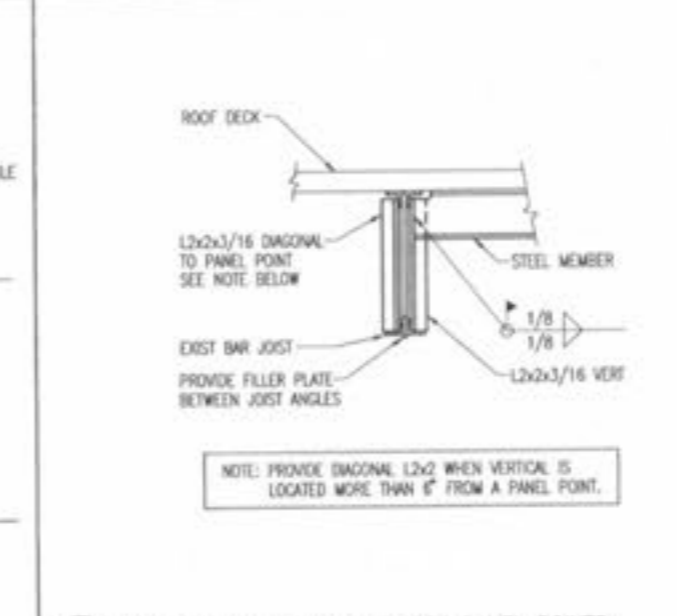
C5 ROOF OPENING DETAIL
NTS



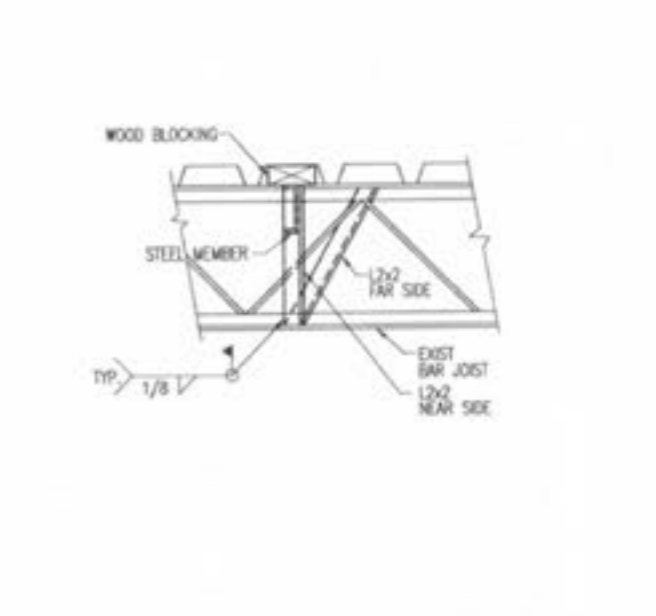
D3 DETAIL CONNECTION OF LINTEL BEAM
1 1/2\"/>



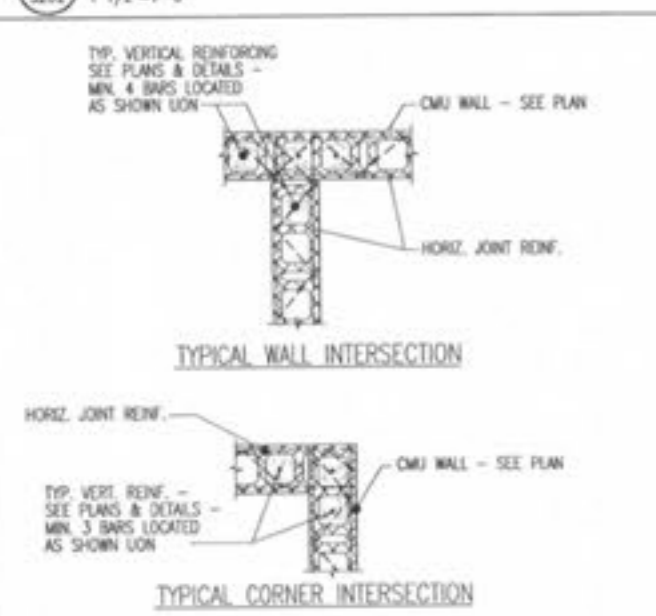
B2 TYPICAL SECTIONS THROUGH LINTEL BEAMS
NTS



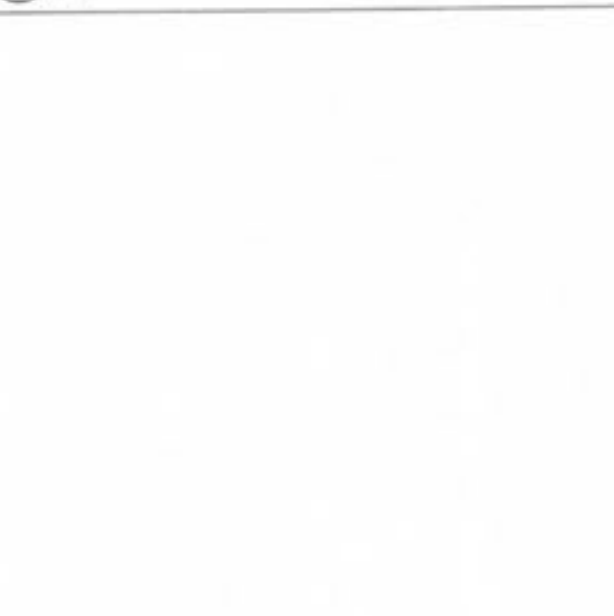
B4 JOIST REINFORCEMENT BETWEEN PANEL POINTS
NTS



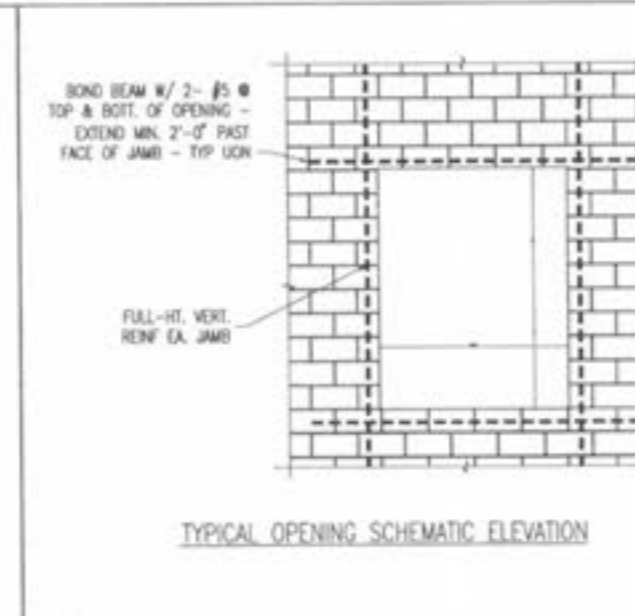
B5 JOIST REINFORCEMENT BETWEEN PANEL POINTS
NTS



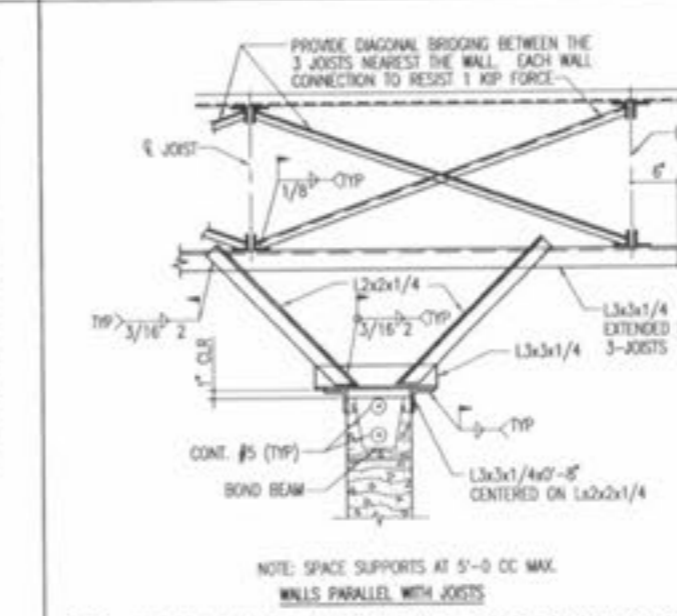
A1 TYPICAL CMU WALL REINF. DETAIL
NTS



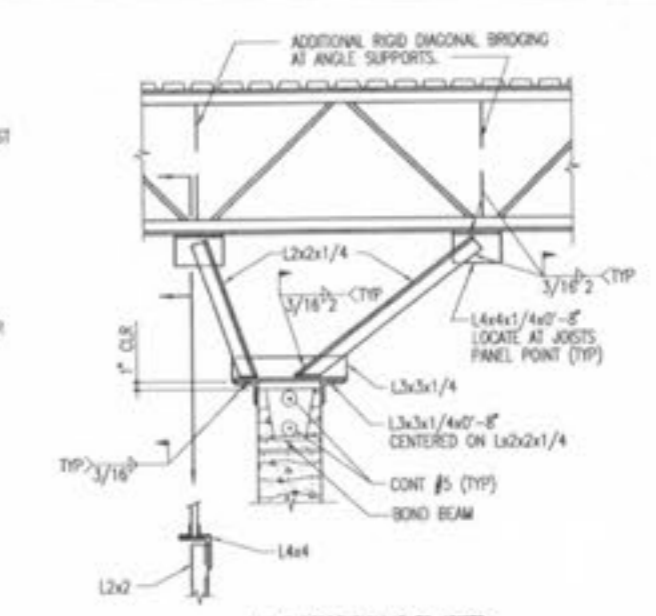
A2 TYPICAL CMU WALL REINF. DETAIL
NTS



A3 TYPICAL CMU WALL REINF. DETAIL
NTS



A4 MASONRY WALL SUPPORT WITH JOISTS CONSTRUCTION
NTS



A5 MASONRY WALL SUPPORT WITH JOISTS CONSTRUCTION
NTS