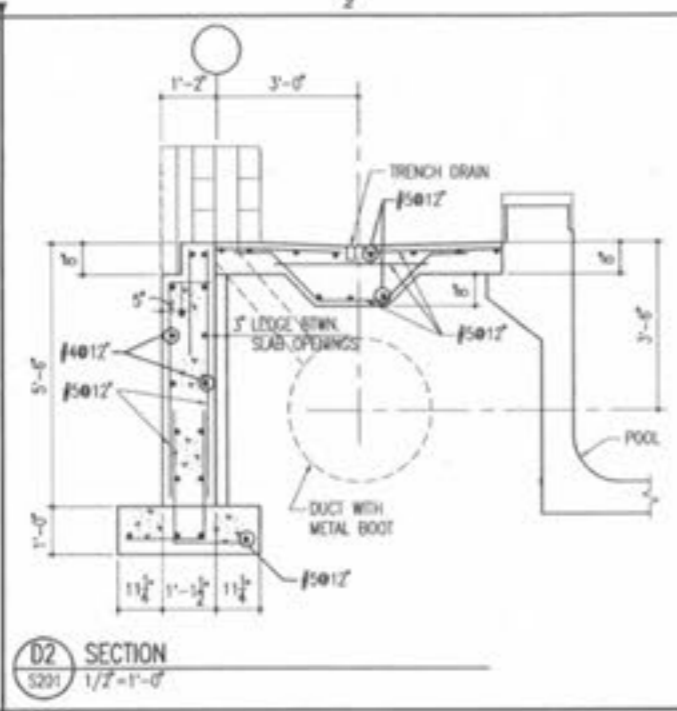
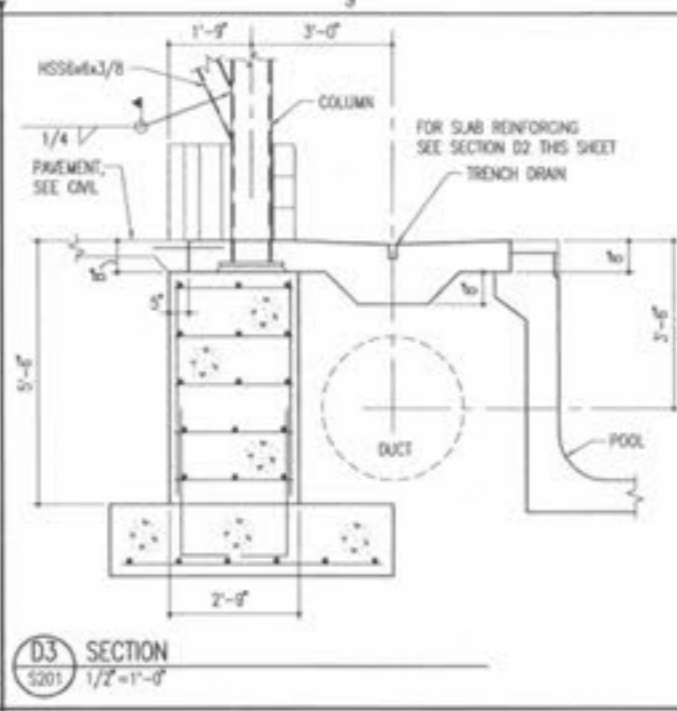


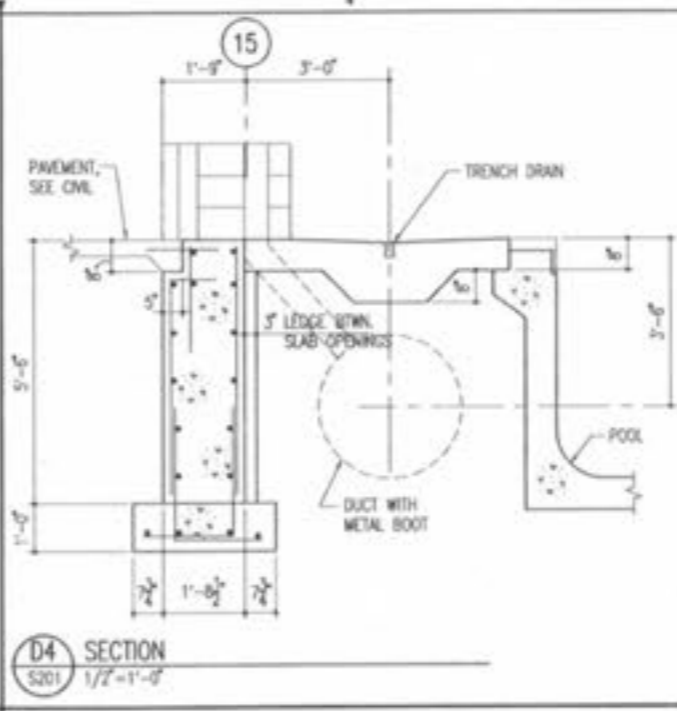
D1 SECTION
 S201 1/2"=1'-0"



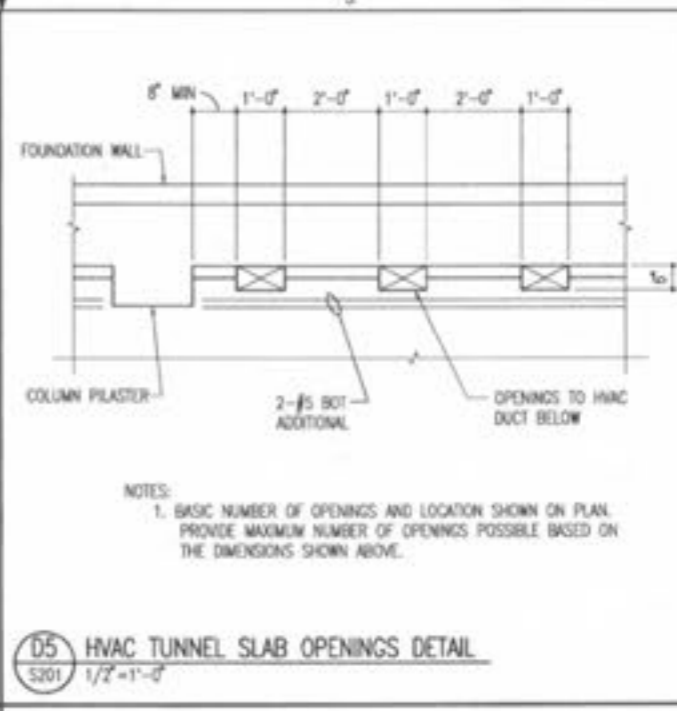
D2 SECTION
 S201 1/2"=1'-0"



D3 SECTION
 S201 1/2"=1'-0"

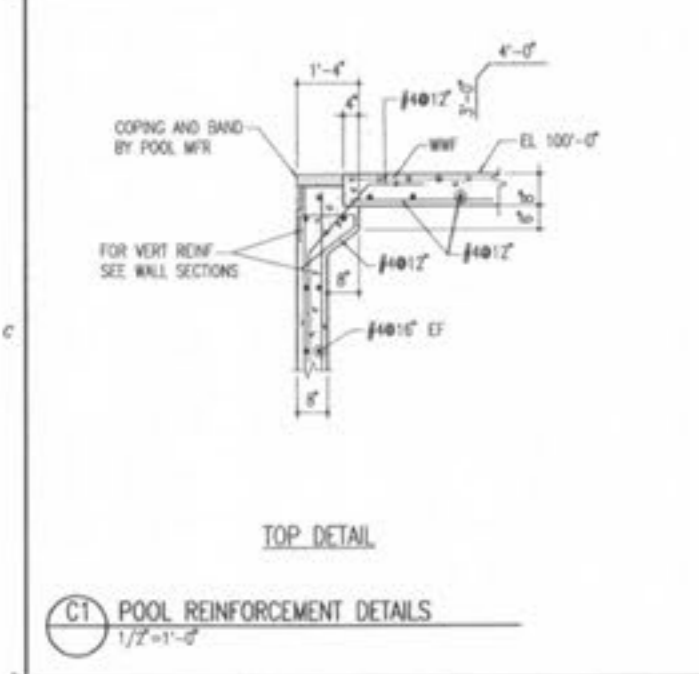


D4 SECTION
 S201 1/2"=1'-0"

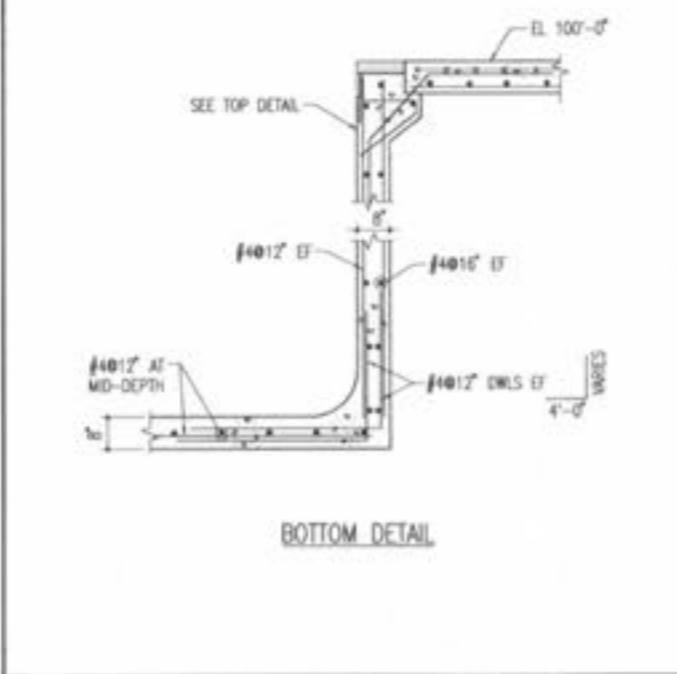


D5 HVAC TUNNEL SLAB OPENINGS DETAIL
 S201 1/2"=1'-0"

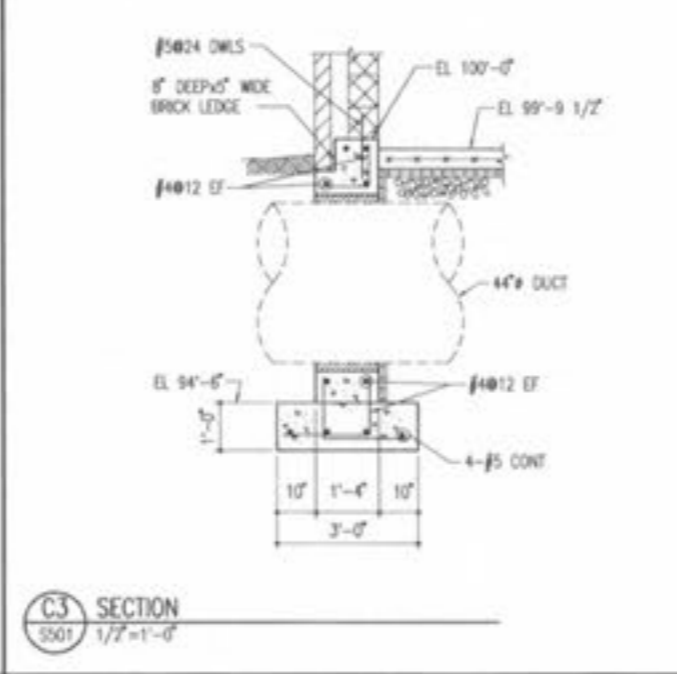
NOTES:
 1. BASIC NUMBER OF OPENINGS AND LOCATION SHOWN ON PLAN. PROVIDE MAXIMUM NUMBER OF OPENINGS POSSIBLE BASED ON THE DIMENSIONS SHOWN ABOVE.



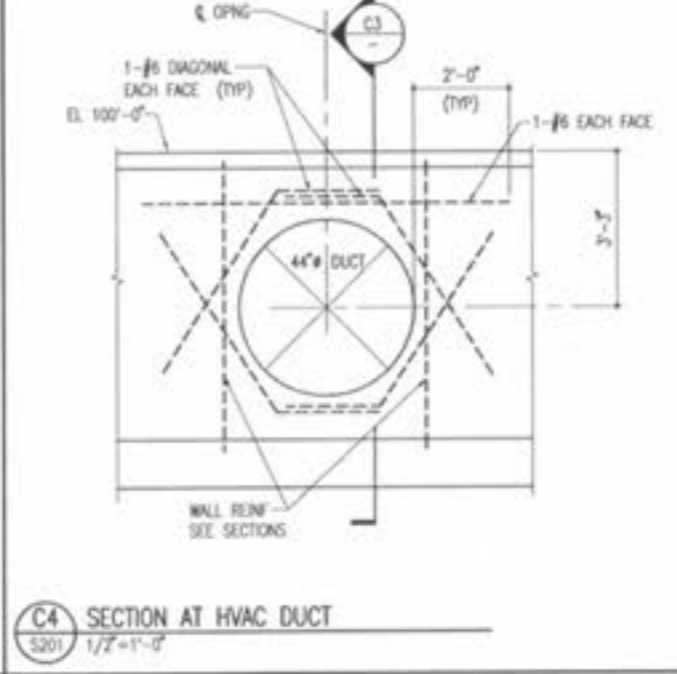
C1 POOL REINFORCEMENT DETAILS
 1/2"=1'-0"



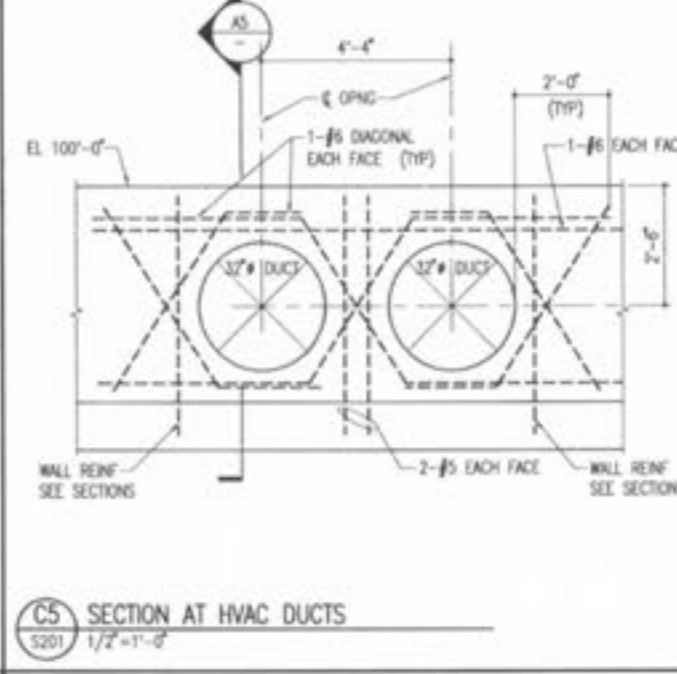
C2 SECTION
 S201 1/2"=1'-0"



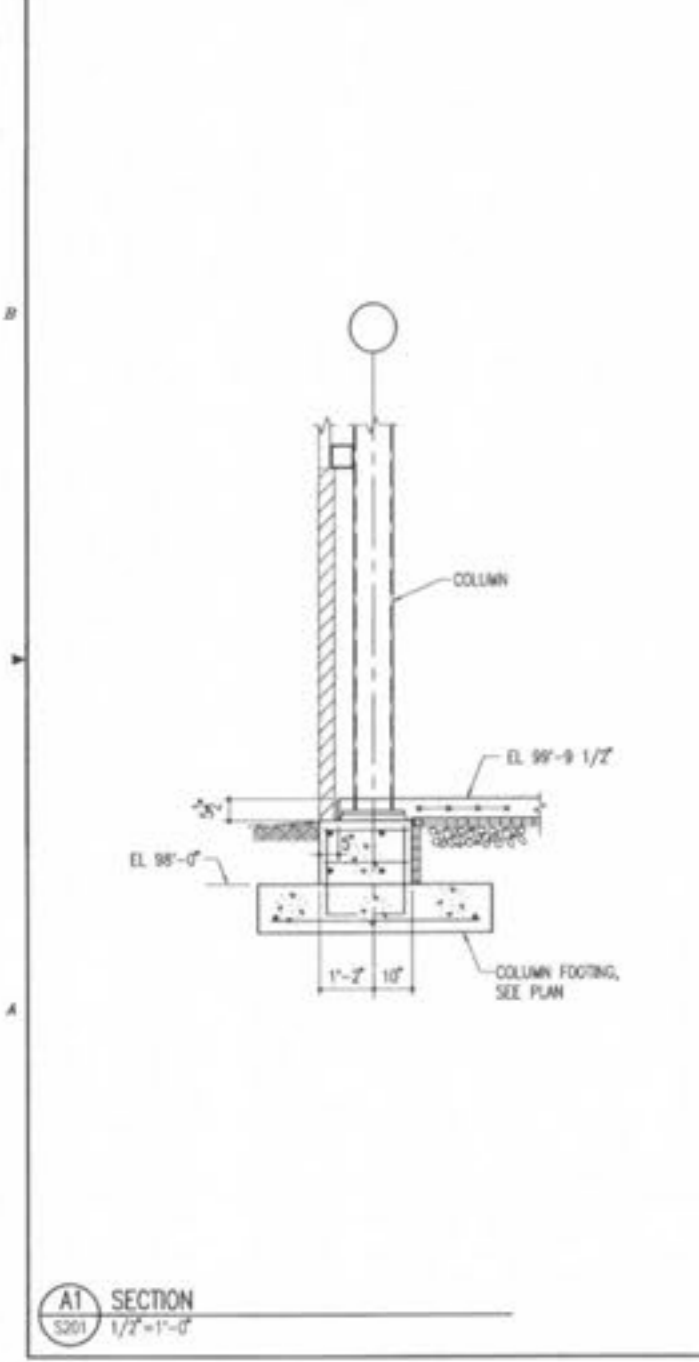
C3 SECTION
 S201 1/2"=1'-0"



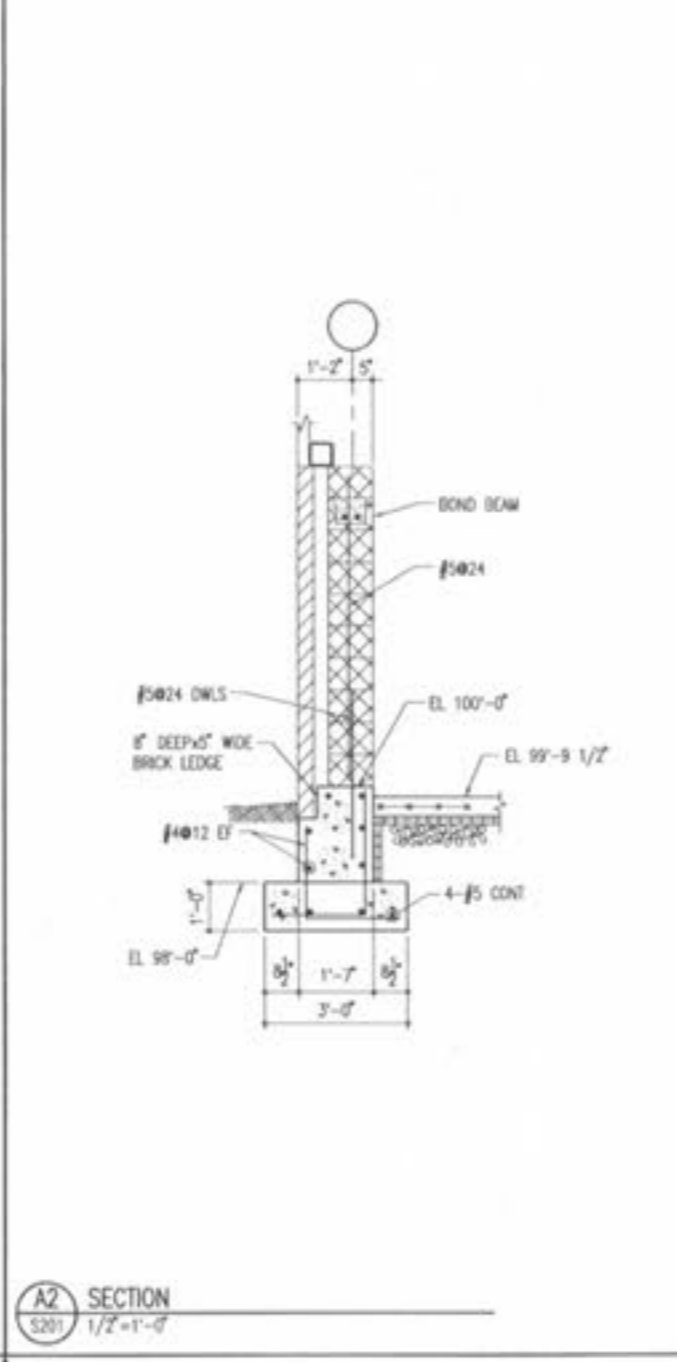
C4 SECTION AT HVAC DUCT
 S201 1/2"=1'-0"



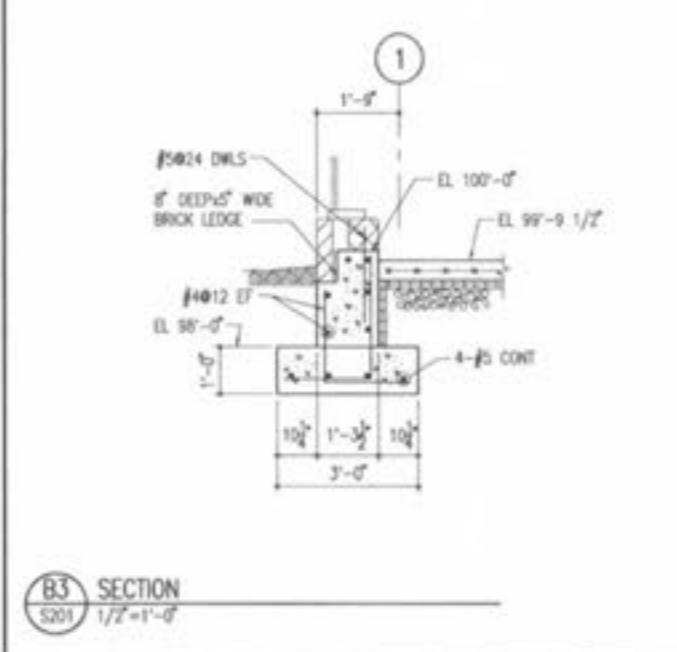
C5 SECTION AT HVAC DUCTS
 S201 1/2"=1'-0"



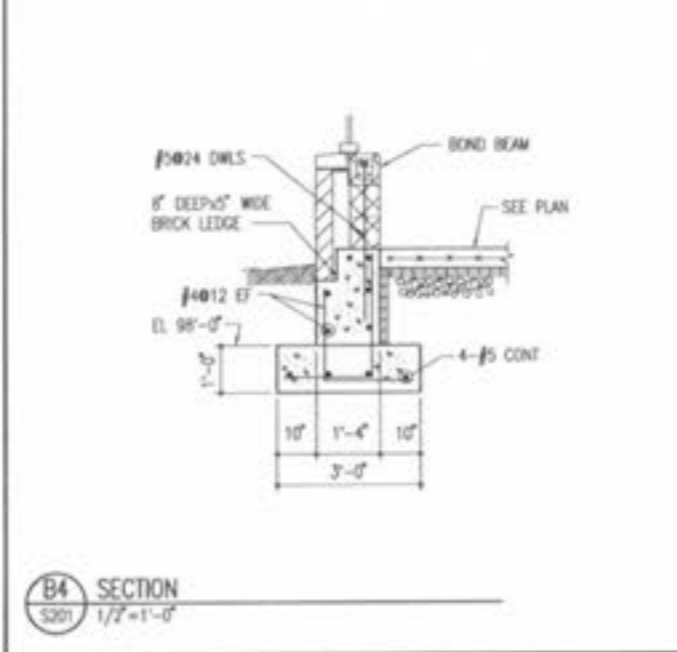
A1 SECTION
 S201 1/2"=1'-0"



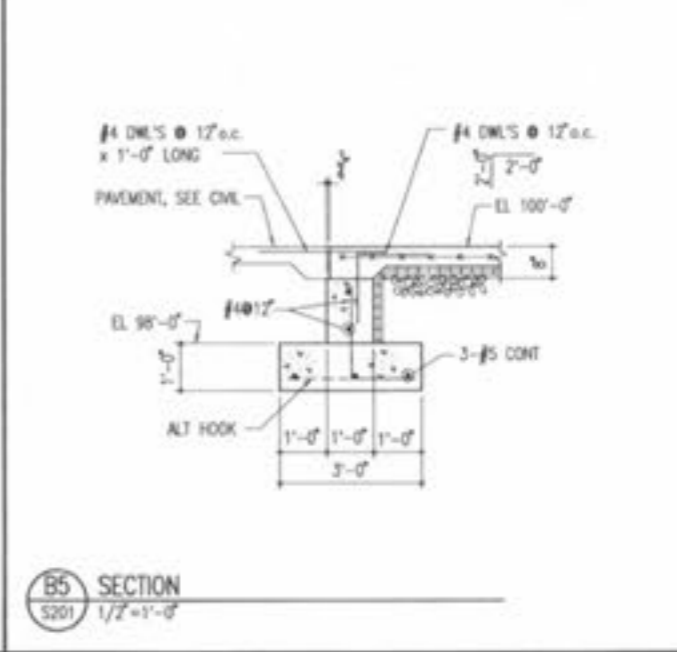
A2 SECTION
 S201 1/2"=1'-0"



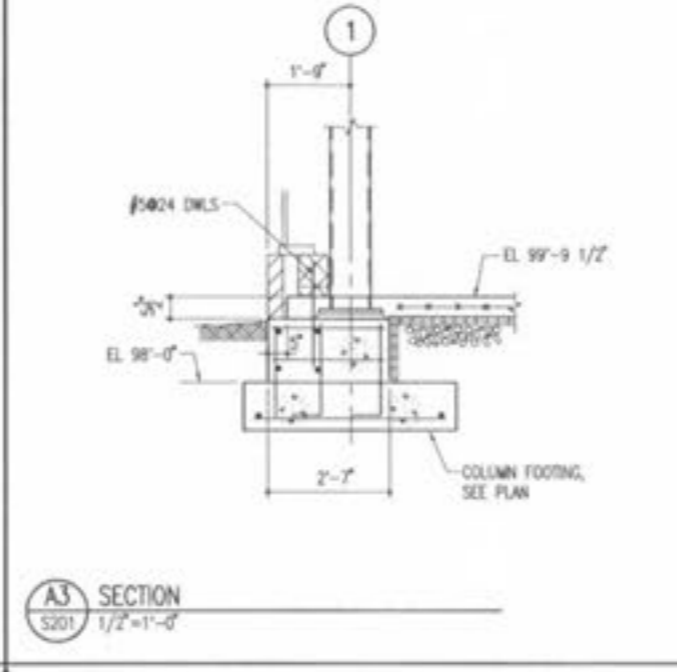
B3 SECTION
 S201 1/2"=1'-0"



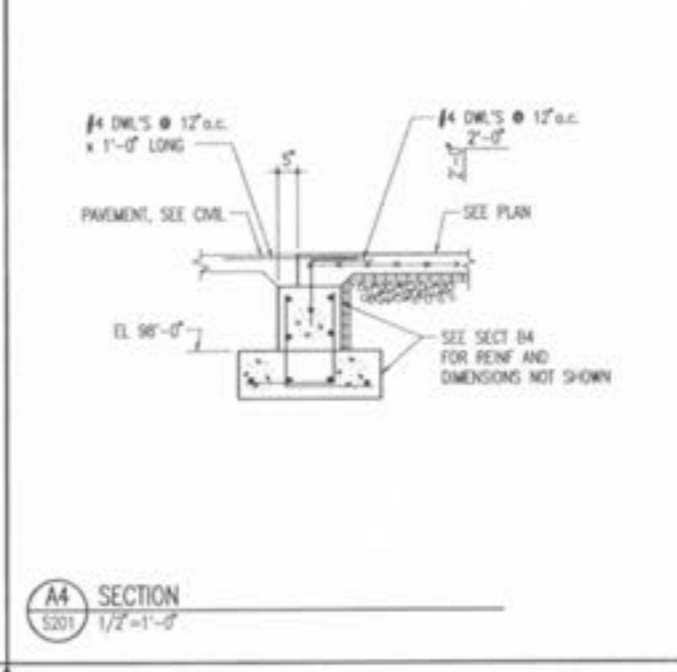
B4 SECTION
 S201 1/2"=1'-0"



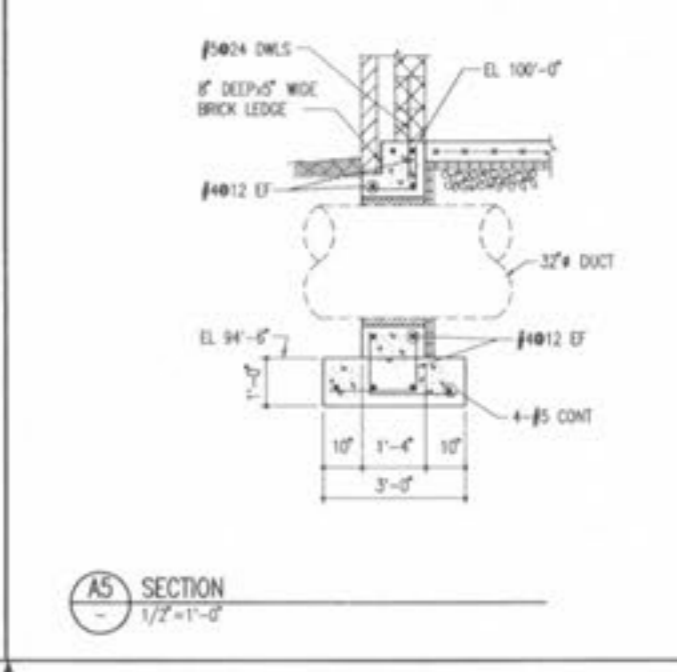
B5 SECTION
 S201 1/2"=1'-0"



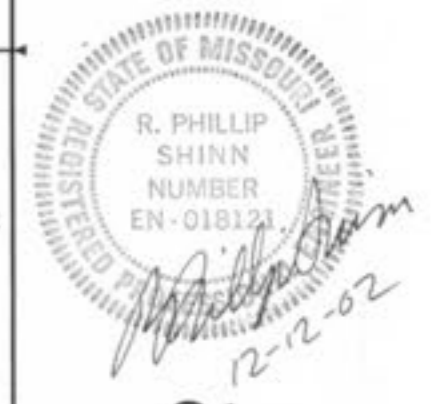
A3 SECTION
 S201 1/2"=1'-0"



A4 SECTION
 S201 1/2"=1'-0"



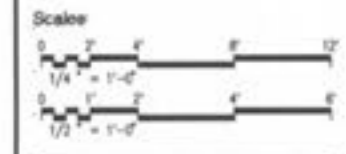
A5 SECTION
 S201 1/2"=1'-0"



RENAUD SPIRIT CENTER
 For the City of O'Fallon - Missouri



Key Plan



Jacobs Project No: P3W4000
 Drawing Title:

STRUCTURAL SECTIONS AND DETAILS

Date: DECEMBER 9, 2002
 Designed by: J. WOODS | Drawing No:
 Drawn by: J. WOODS | Checked by:
S501