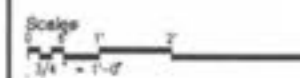


**RENAUD SPIRIT CENTER**  
 For the City of O'Fallon - Missouri



Key Plan



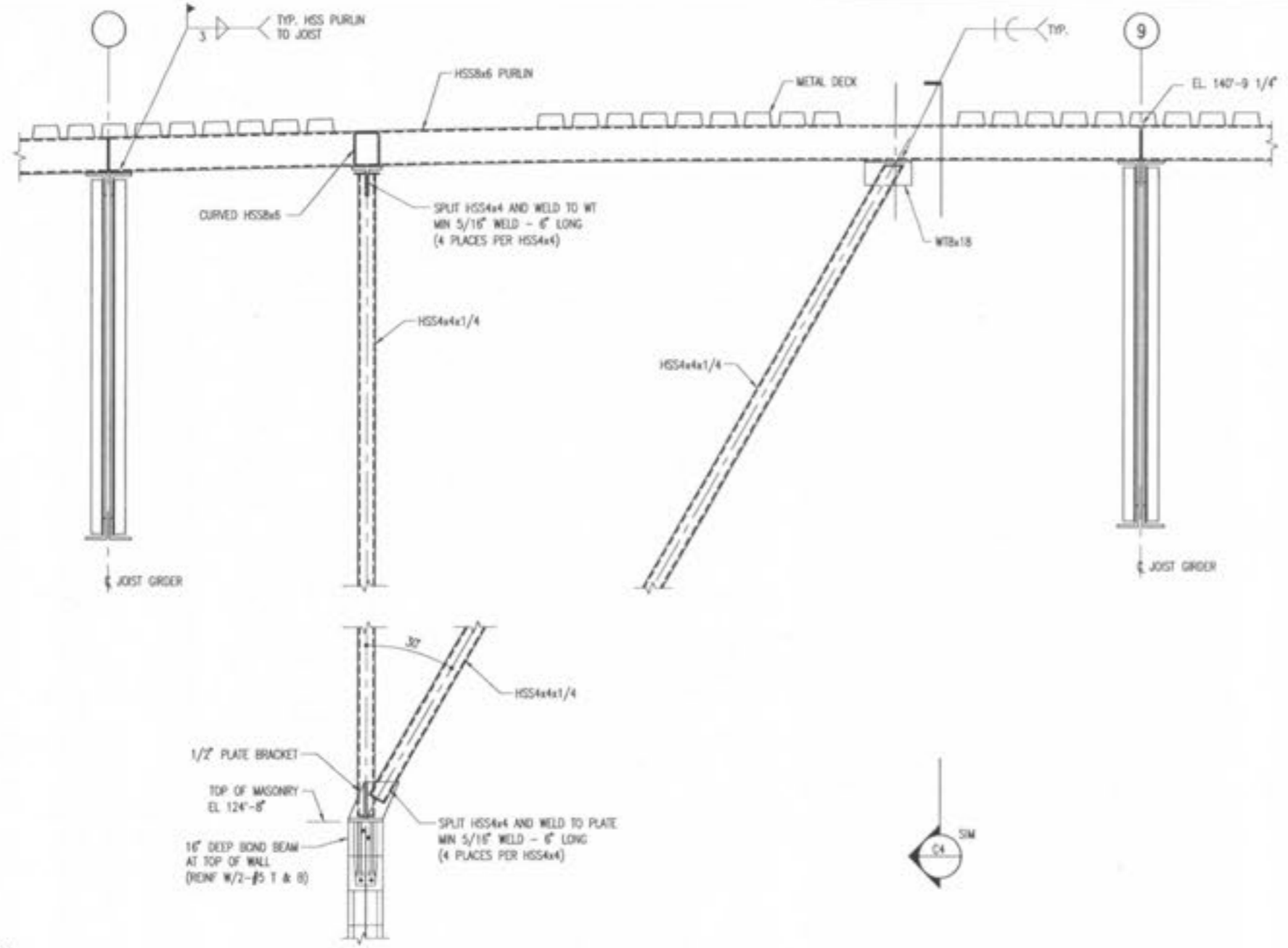
Jacobs Project No: F040800

Drawing Title: STRUCTURAL SECTIONS AND DETAILS

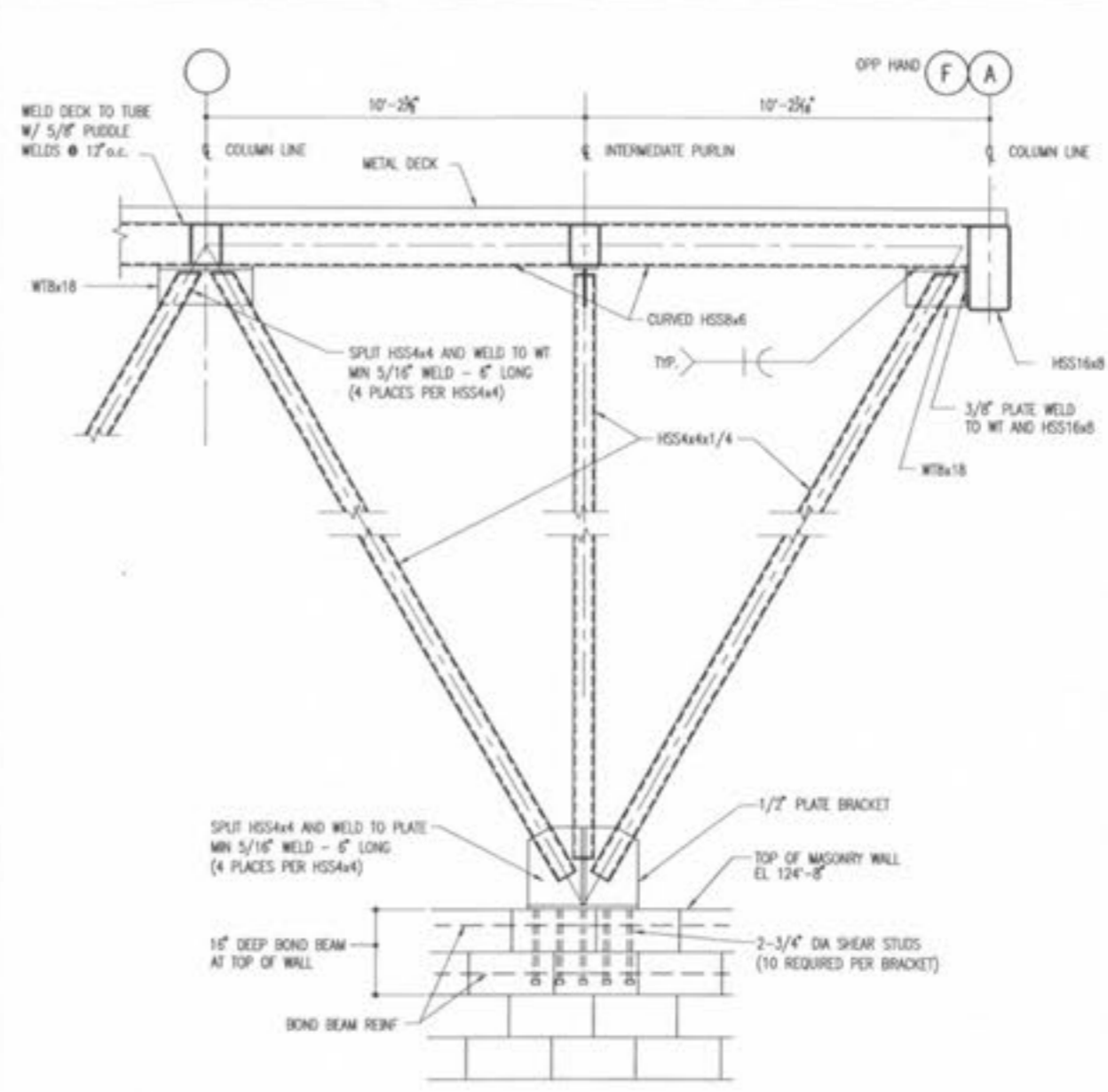
Date: DECEMBER 9, 2002

Designed By: J. WILSON Drawing No: S505

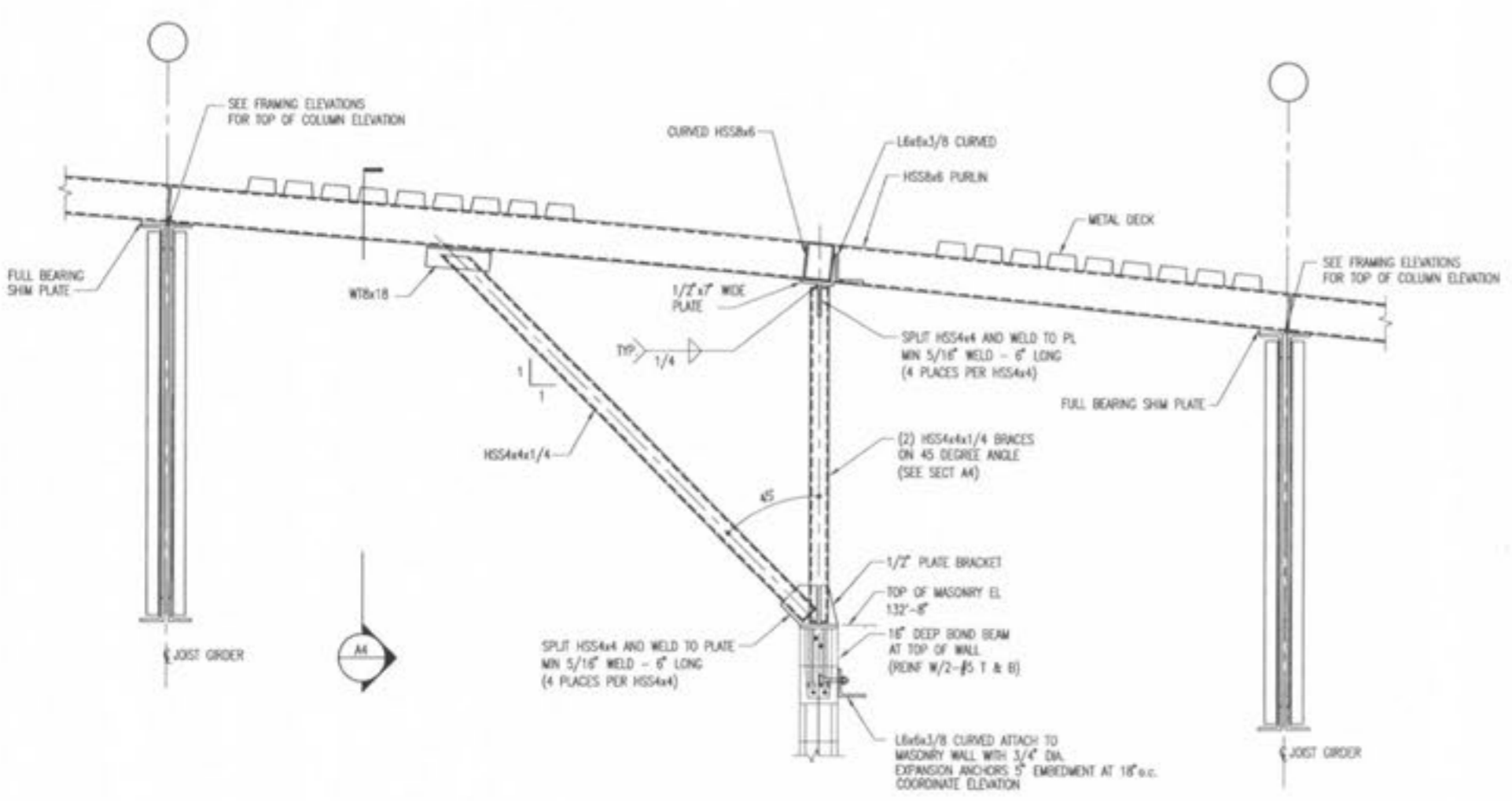
Drawn By: J. WILSON Checked By:



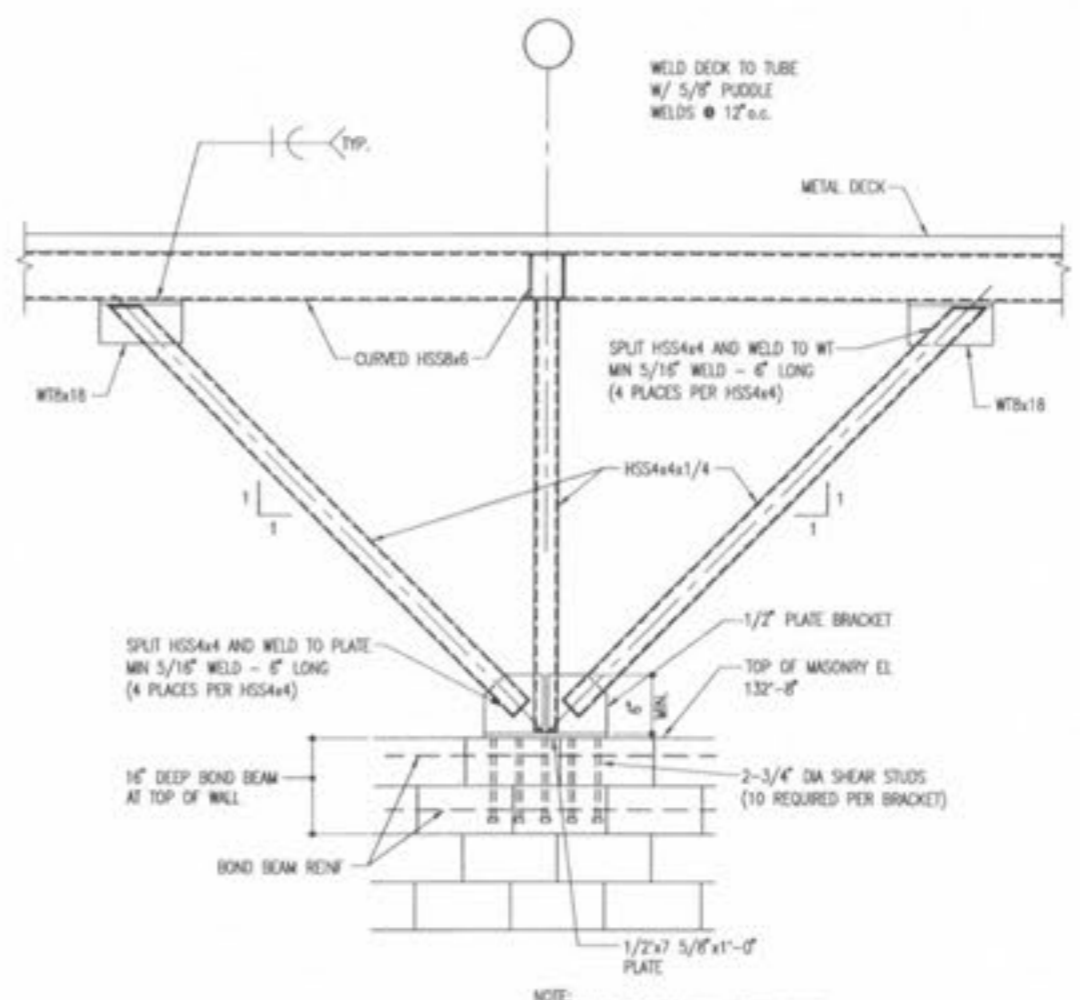
C1 SECTION  
 3/4" = 1'-0"



C4 SECTION  
 3/4" = 1'-0"



A1 SECTION  
 3/4" = 1'-0"



A4 SECTION  
 3/4" = 1'-0"

NOTE:  
 DO NOT WELD DIAGONAL BRACING UNTIL ALL DEAD LOAD HAS BEEN PLACED ON THE ROOF BEAMS. TYPICAL FOR ALL BEARING THIS DRAWING.