

RENAUD SPIRIT CENTER
 For the City of O'Fallon - Missouri



Key Plan

Scale

Jacobs Project No: F040000

Drawing Title: STRUCTURAL SECTIONS AND DETAILS

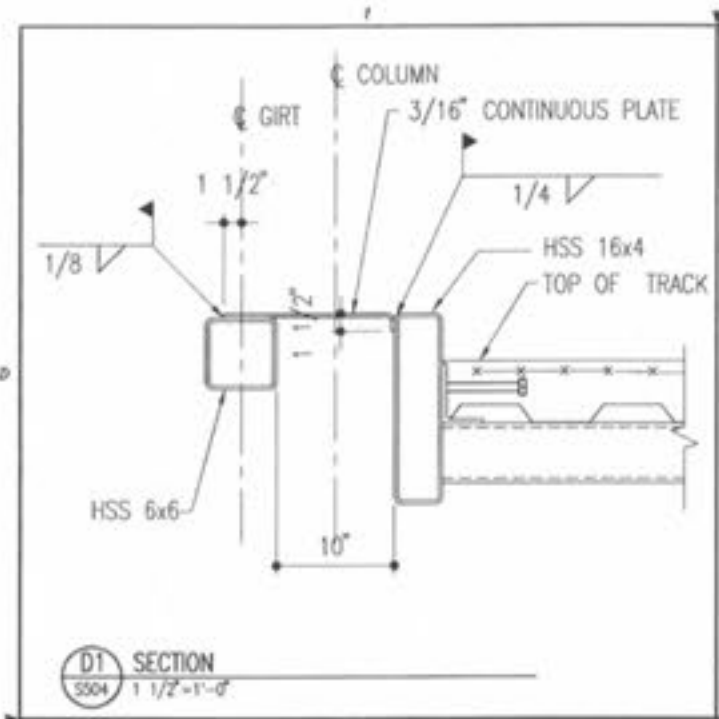
Date: DECEMBER 9, 2002

Designed By: J. WOODS

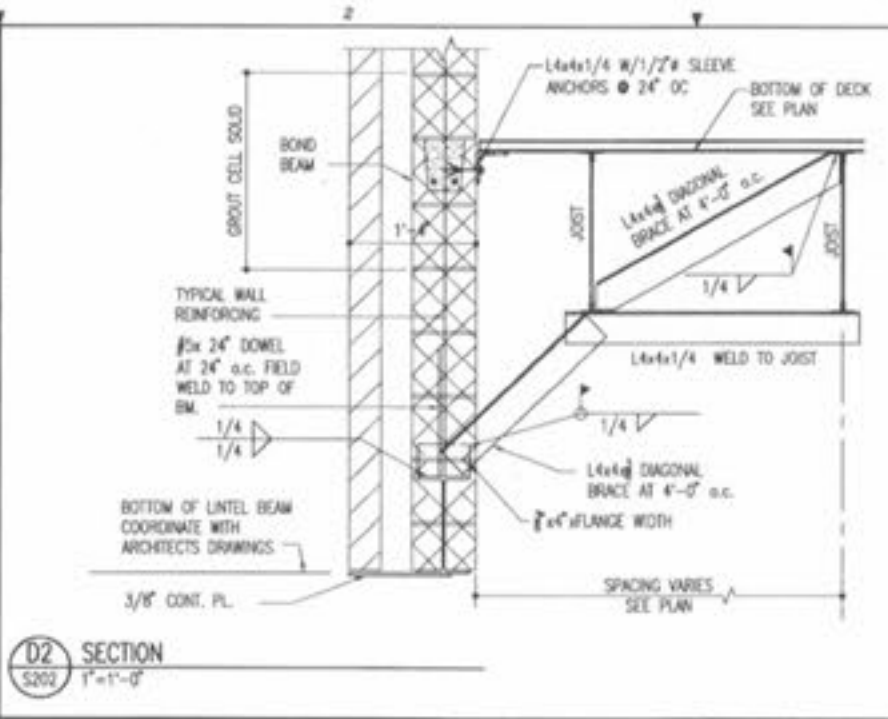
Drawn By: J. WOODS

Checked By: J. WOODS

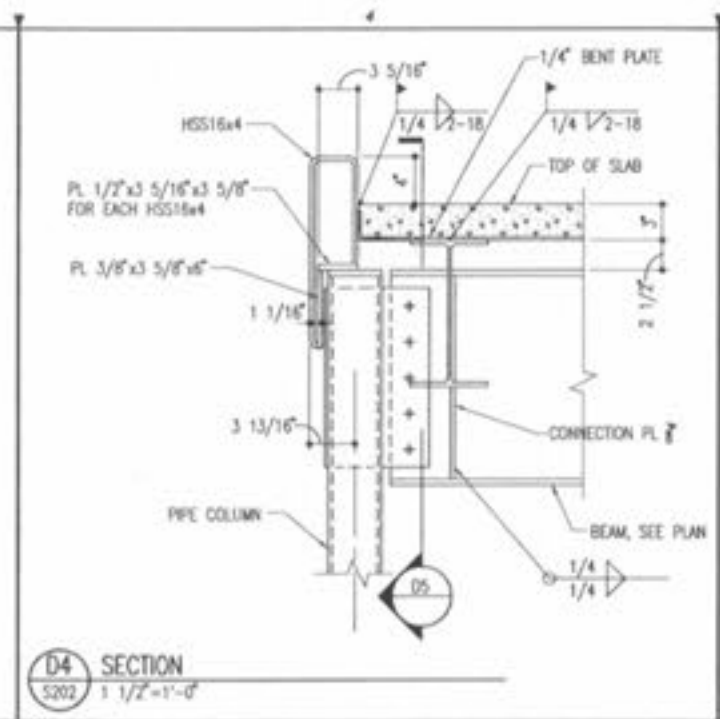
Drawing No: S506



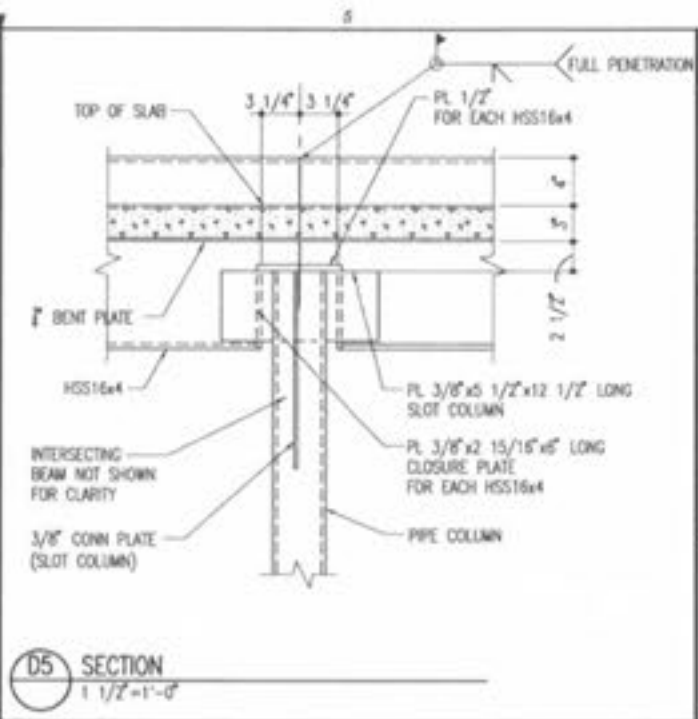
D1 SECTION
 S504 1 1/2'-1'-0"



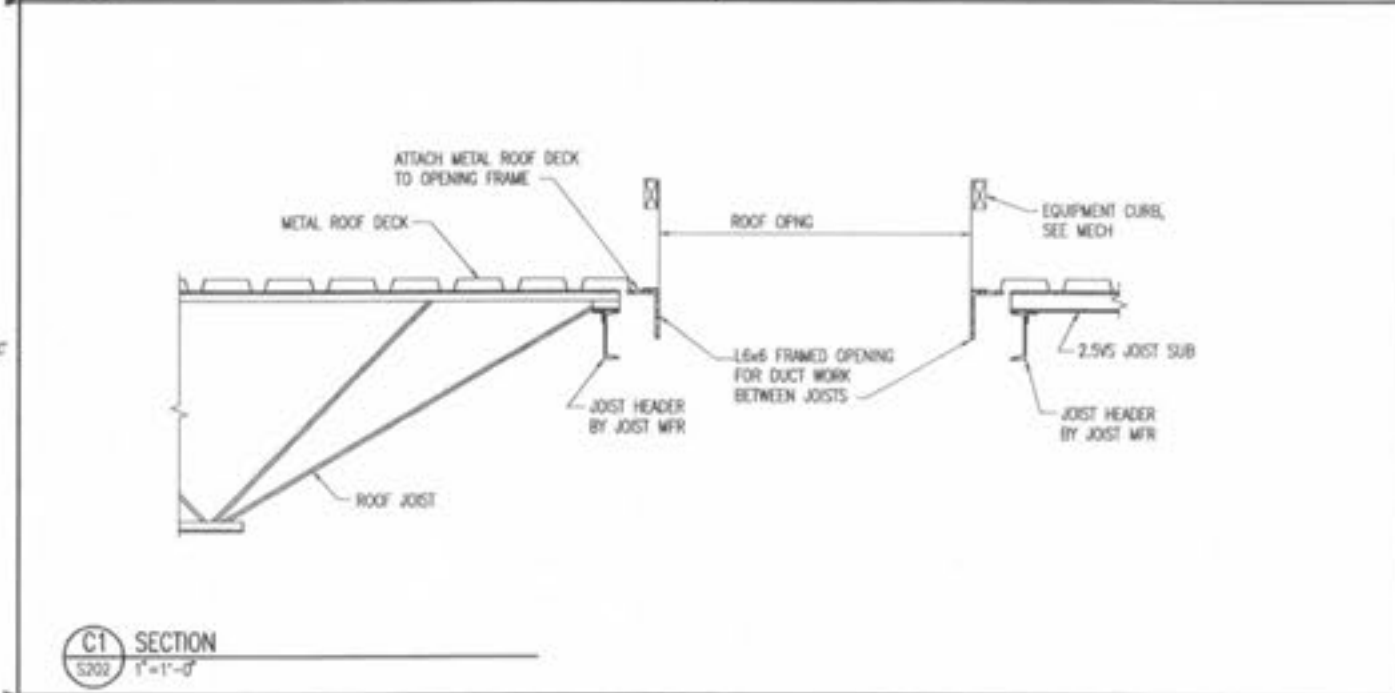
D2 SECTION
 S502 1'-1'-0"



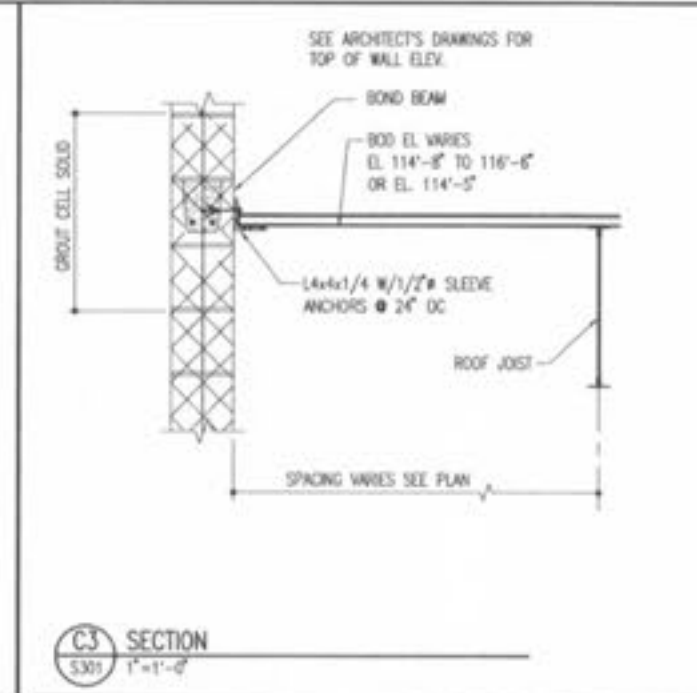
D4 SECTION
 S502 1 1/2'-1'-0"



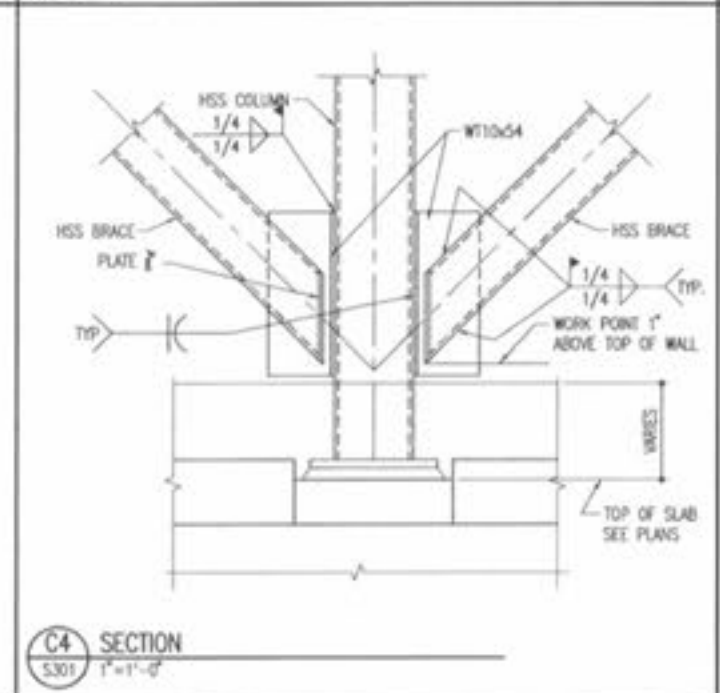
D5 SECTION
 1 1/2'-1'-0"



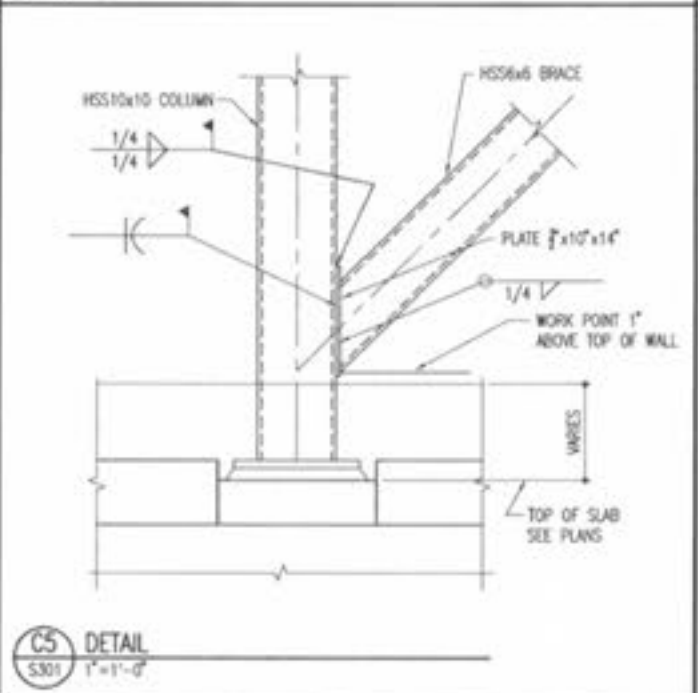
C1 SECTION
 S502 1'-1'-0"



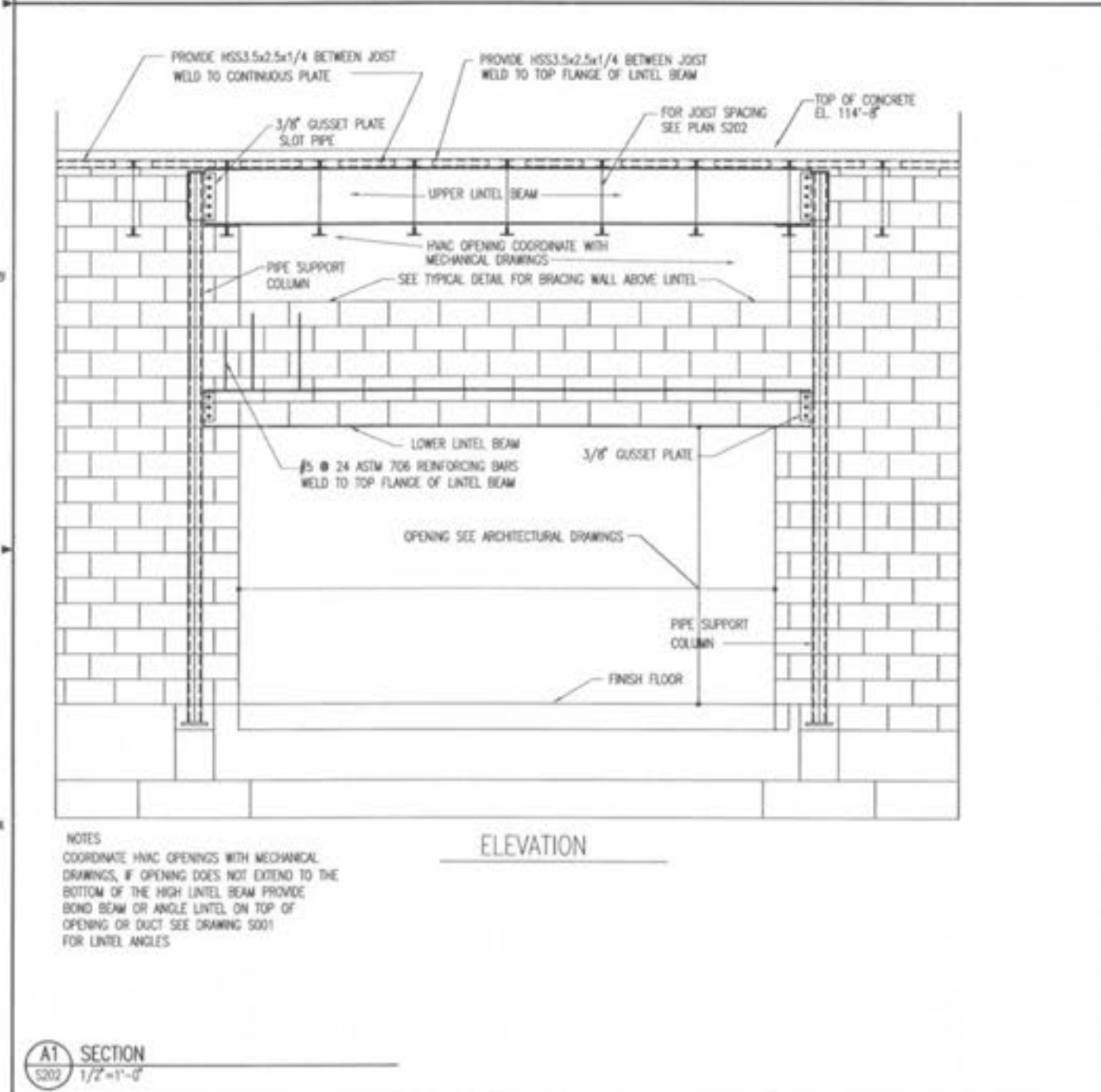
C3 SECTION
 S501 1'-1'-0"



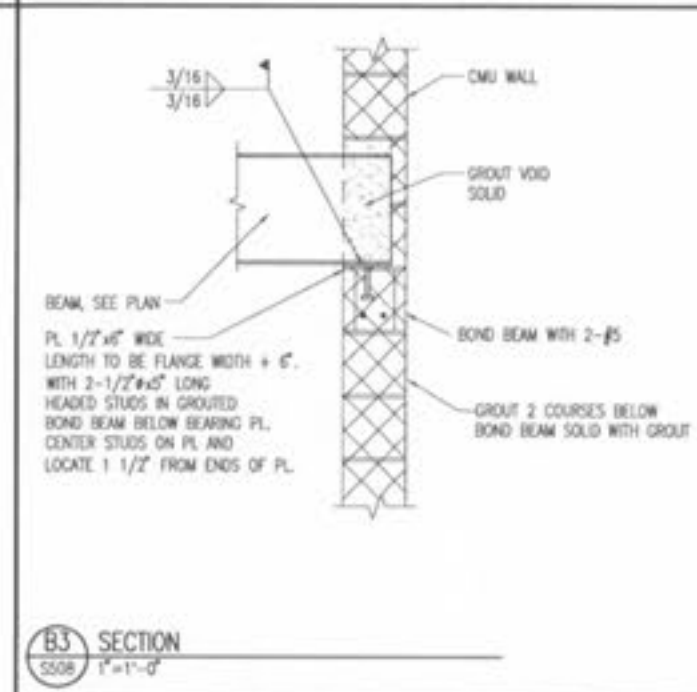
C4 SECTION
 S501 1'-1'-0"



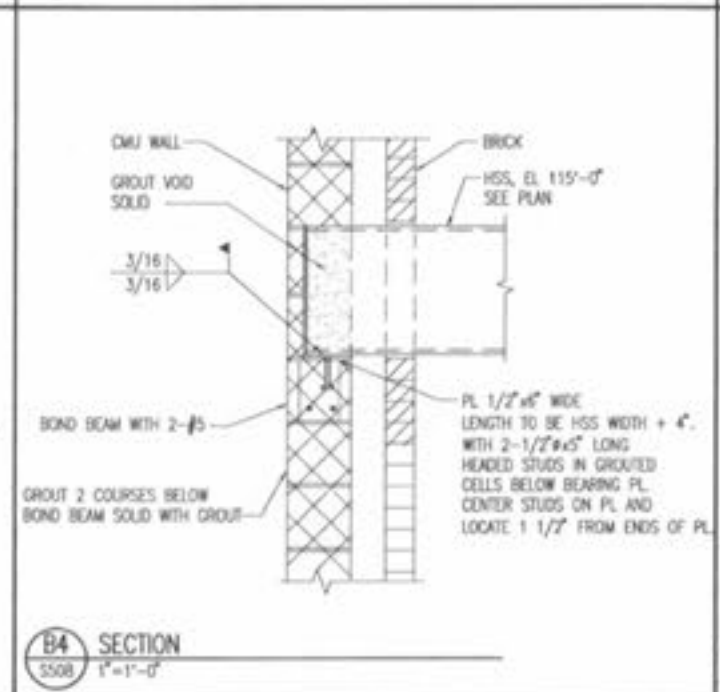
C5 DETAIL
 S501 1'-1'-0"



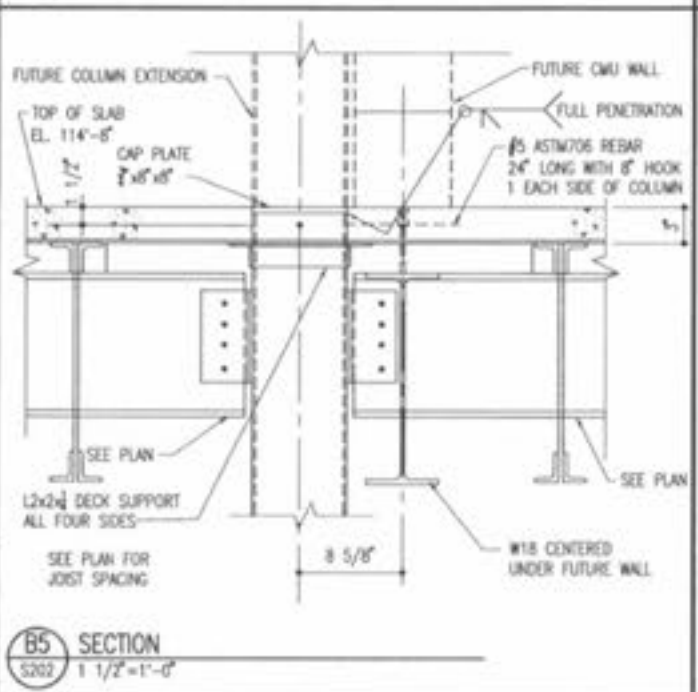
A1 SECTION
 S502 1 1/2'-1'-0"



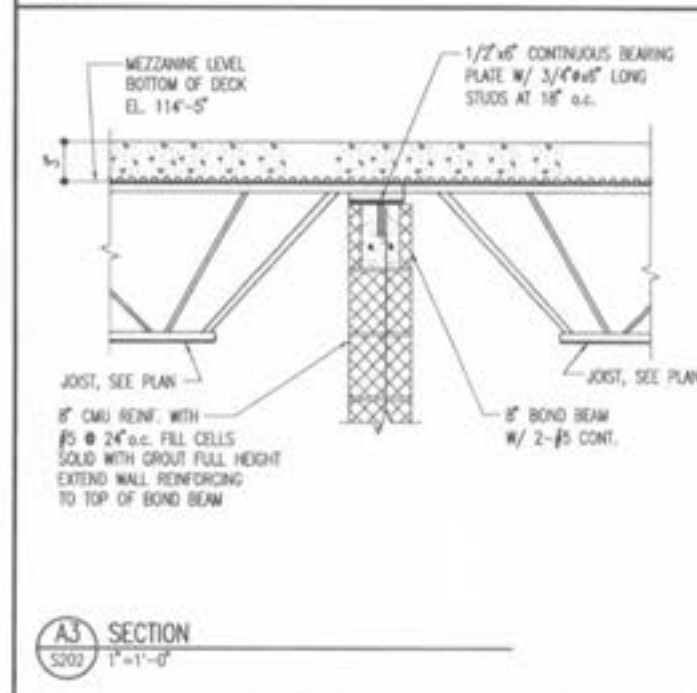
B3 SECTION
 S508 1'-1'-0"



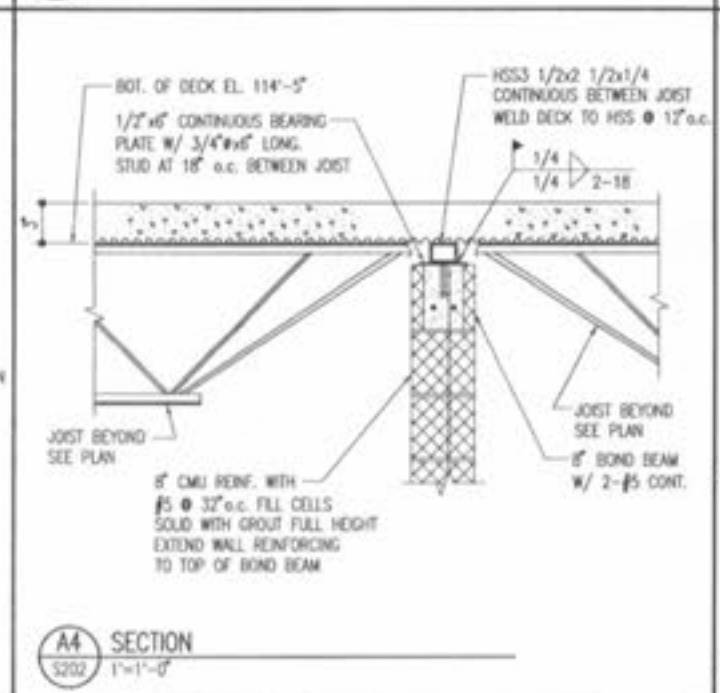
B4 SECTION
 S508 1'-1'-0"



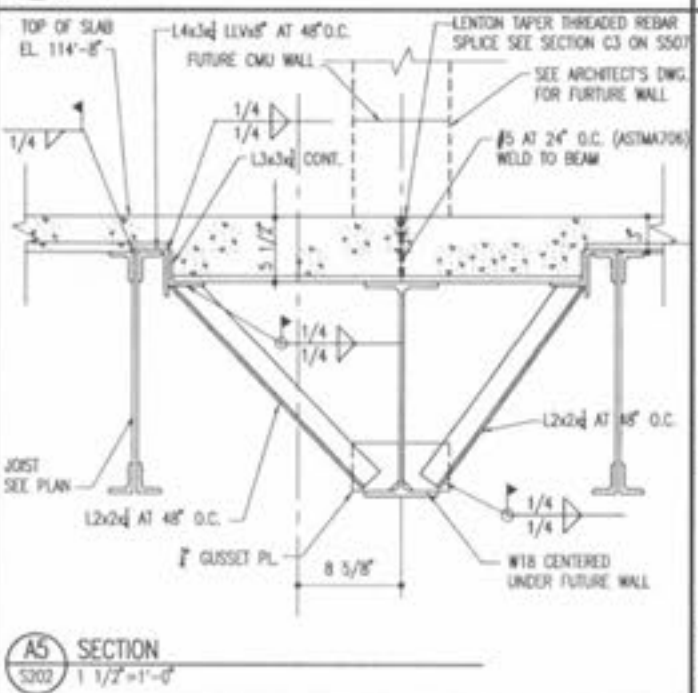
B5 SECTION
 S502 1 1/2'-1'-0"



A3 SECTION
 S502 1'-1'-0"



A4 SECTION
 S502 1'-1'-0"



A5 SECTION
 S502 1 1/2'-1'-0"

NOTES
 COORDINATE HVAC OPENINGS WITH MECHANICAL DRAWINGS. IF OPENING DOES NOT EXTEND TO THE BOTTOM OF THE HIGH LINTEL BEAM PROVIDE BOND BEAM OR ANGLE LINTEL ON TOP OF OPENING OR DUCT SEE DRAWING S501 FOR LINTEL ANGLES

ELEVATION