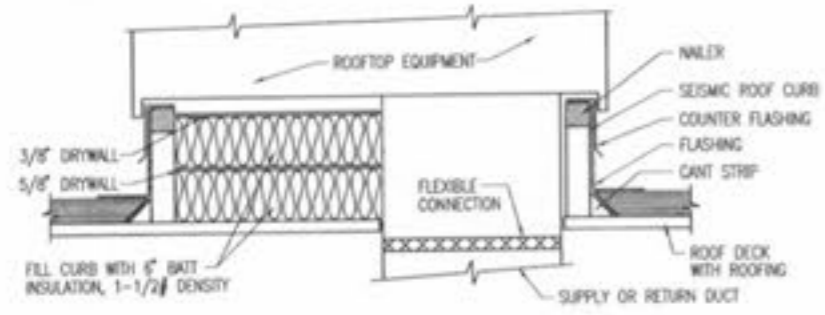


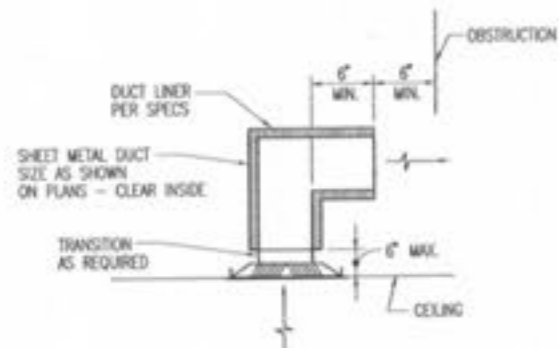


RENAUD SPIRIT CENTER
 For the City of O'Fallon - Missouri

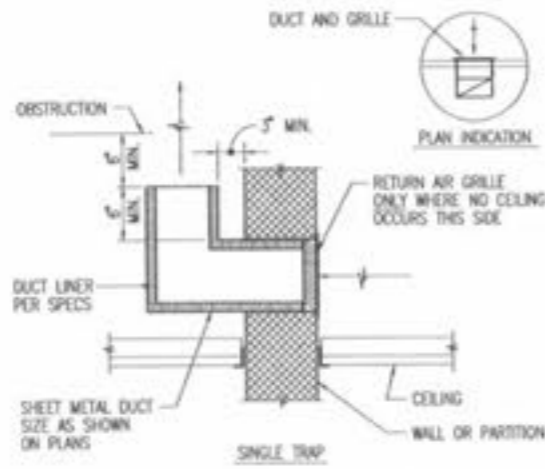


NOTE:
 EACH LAYER OF DRYWALL TO FLOAT FREE ON TOP OF
 RESPECTIVE LAYER OF SMIT INSULATION.

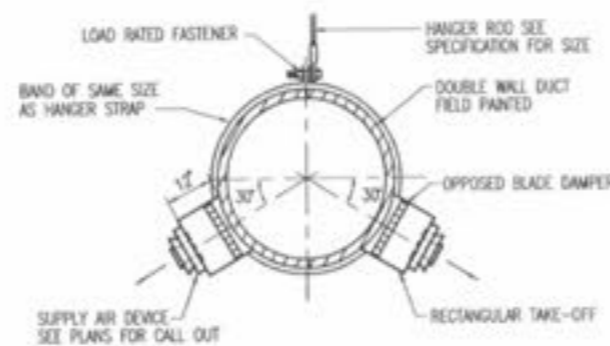
C1 ROOF CURB DETAIL
 10305 NOT TO SCALE



B1 RETURN AIR SOUND TRAP DETAIL
 10301 NOT TO SCALE

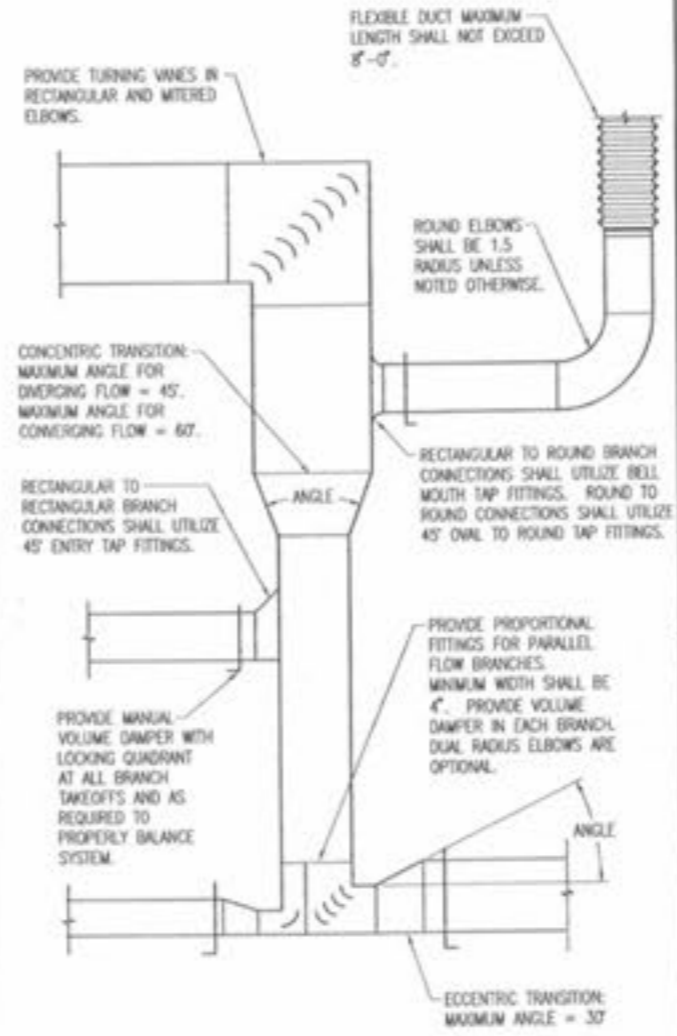


B2 RETURN AIR SOUND TRAP DETAIL
 10301 NOT TO SCALE



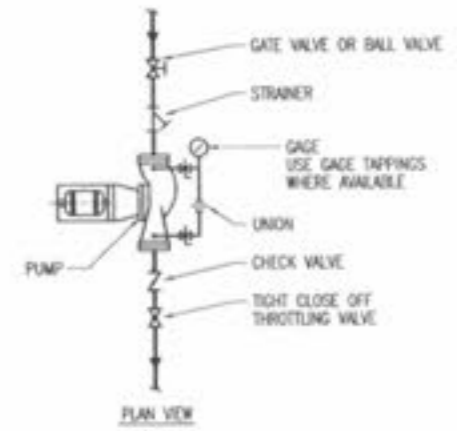
NOTES:
 1. DETAIL APPLIES TO DUAL TAKE-OFFS (AS SHOWN) AND SINGLE TAKE-OFF.
 2. DIFFUSERS OVER POOL WATER SURFACE SHALL BE INSTALLED ON THE 90° AXIS TO BLOW HORIZONTALLY.

B3 EXPOSED SUPPLY DUCT DETAIL
 10301 NOT TO SCALE

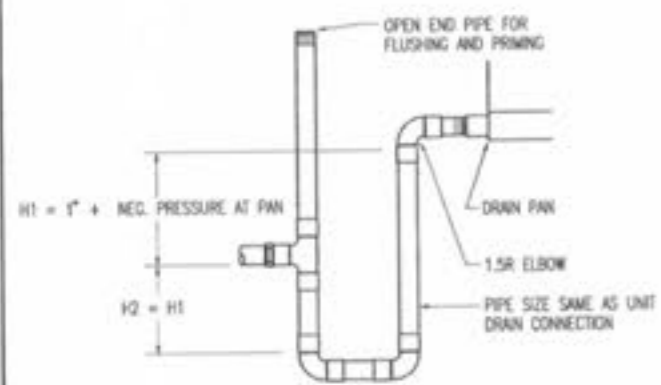


NOTE: DUCT, FITTINGS, MATERIAL AND SUPPORT SHALL BE AS SPECIFIED AND IN ACCORDANCE WITH SMACNA "HANG" DUCT CONSTRUCTION STANDARDS - METAL AND FLEXIBLE.

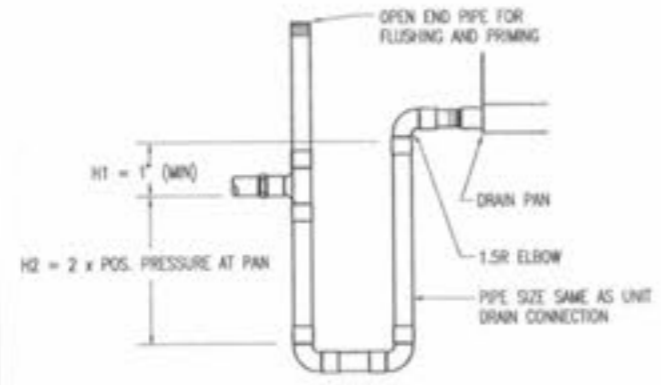
A4 TYPICAL DUCT DETAIL
 10301 NOT TO SCALE



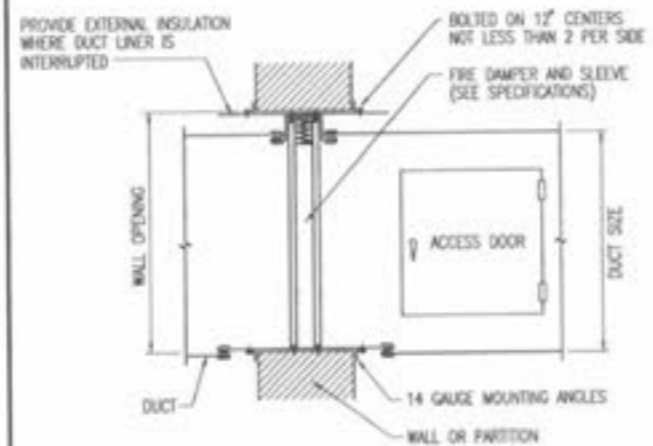
B5 IN-LINE CIRCULATING PUMP DETAIL
 NOT TO SCALE



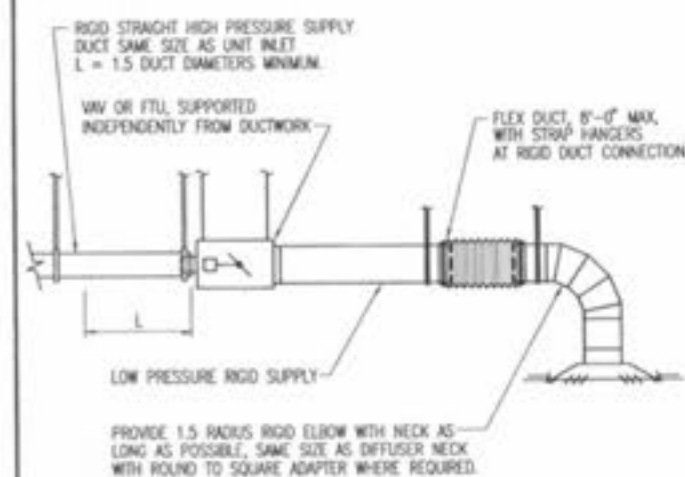
A1 CONDENSATE DRAIN DETAIL - DRAW THROUGH
 10304 NOT TO SCALE



A2 CONDENSATE DRAIN DETAIL - BLOW THROUGH
 10303 NOT TO SCALE



A3 FIRE DAMPER DETAIL
 NOT TO SCALE



A5 TYPICAL AIR TERMINAL AND AIR DEVICE CONNECTION DETAIL
 10301 NOT TO SCALE

Key Plan

Scale

Jacobs Project No: F0940600

Drawing Title: HVAC DETAILS

Date: DECEMBER 9, 2002
 Designed By: I. HARRIS
 Drawn By: J. STUMMEL
 Checked By: K. DICKENS
 Drawing No: H601