

Revision
Date: 12/9/02
By: DAM
Description: ISSUED FOR BO



12/13/2002

RENAUD SPIRIT CENTER
For the City of O'Fallon - Missouri



Key Plan



Scales
0 10 20 30 40
1" = 30'-0"

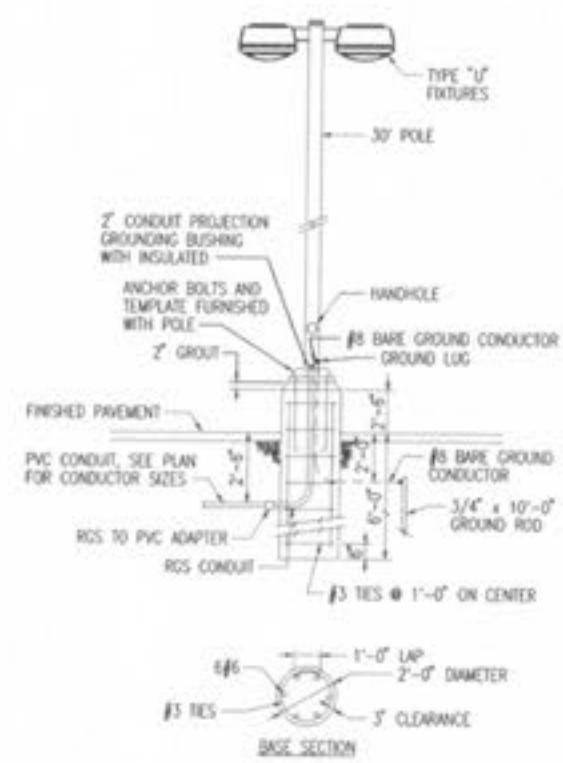
Jacobs Project No: F0943800
Drawing Title:

ELECTRICAL
SITE PLAN

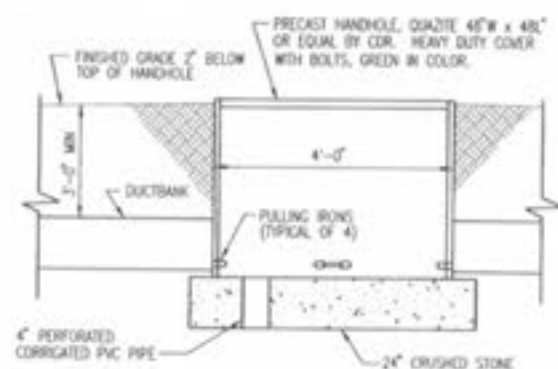
Date: DECEMBER 9, 2002
Designed By: D. MORGAN Drawing No:
Drawn By: D. MORGAN Checked By: F. HESTER
E201

NOTES:

1. FOR SYMBOLS, ABBREVIATIONS AND GENERAL NOTES, SEE DRAWING E001.

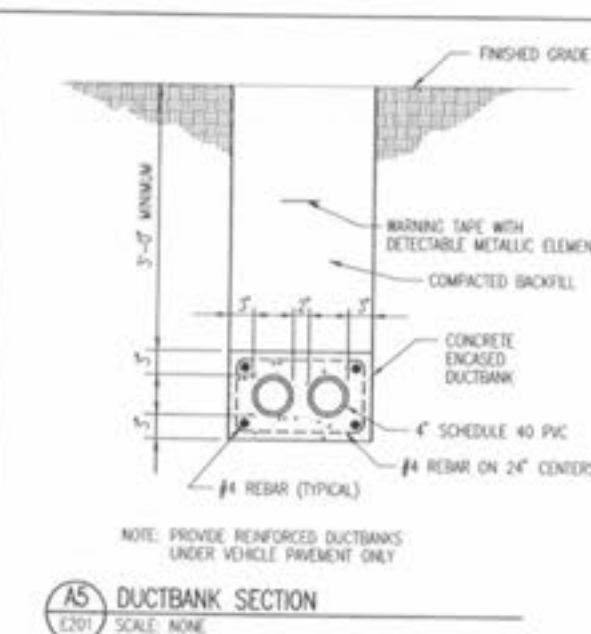


C1 POLE BASE DETAIL
E201 SCALE: NONE



A1 HANDHOLE DETAIL
E201 SCALE: NONE

A2 ELECTRICAL SITE PLAN
E201 1" = 30'-0"



A5 DUCTBANK SECTION
E201 SCALE: NONE

