



12/13/2002

RENAUD SPIRIT CENTER
 For the City of O'Fallon - Missouri



Key Plan

Scales

Jacobs Project No: FW4000

Drawing Title: ELECTRICAL DIAGRAMS AND DETAILS

Date: DECEMBER 9, 2002
 Designed By: S. MESSINGER
 Drawn By: S. MESSINGER
 Checked By: F. HETZER
 Drawing No: E801

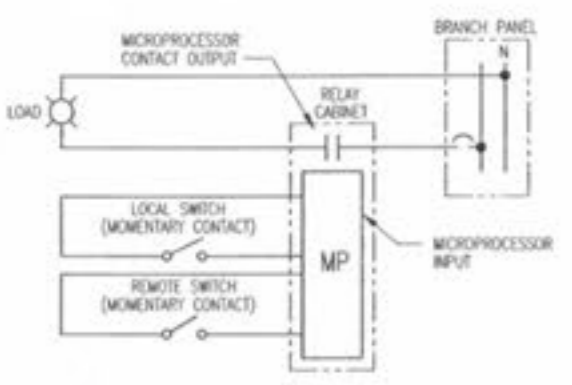
LIGHTING SCHEMATIC NOTES:

1. SEE SCHEMATIC ON THIS DRAWING FOR CASE NUMBERS LISTED BELOW FOR RESPECTIVE SCHEMATICS OF LIGHTING CONTROL ARRANGEMENTS INDICATED ON RELAY CABINET SCHEDULES IN SPECIFICATIONS DIVISION 16 SECTION "ELECTRICAL SCHEDULES".

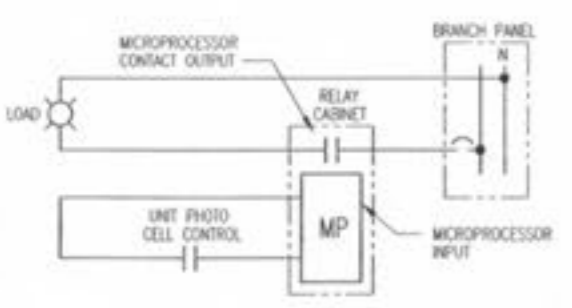
CASE NUMBER	CONTROL TIME	SOURCE	PRIORITY	REMARKS
1	S	N	P	P
2	S	P	N	N
3	P	N	N	N
4	S	N	P	N
5	N	N	P	N
6	N	N	N	N

P = PRIMARY PRIORITY
 S = SECONDARY PRIORITY
 N = NOT APPLICABLE

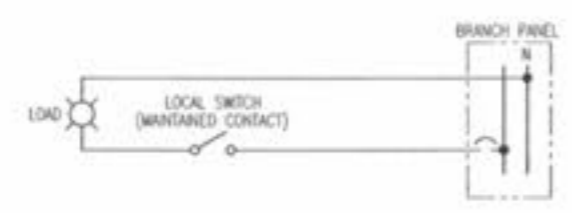
2. THE FOLLOWING REMARKS APPLY TO RELAY CABINET SCHEDULES:
 a. TIME PROGRAM FEATURE IS ACCOMPLISHED VIA RELAY CABINET MICRO-PROCESSOR OUTPUTS.
 b. PHOTO CONTROL FEATURE IS ACCOMPLISHED VIA COMMON ROOF MOUNTED PHOTOCELL CONTROLS.
 c. LOCAL LOW-VOLTAGE SWITCHES ARE LOCATED WITHIN ROOM OR AREA OF RESPECTIVE LIGHTING CONTROLLED.
 d. REMOTE LOW-VOLTAGE SWITCHES ARE LOCATED AT SELECT CONTROL STATIONS OR OFFICES.
 e. LOADS CONTROLLED BY LOCAL LINE-VOLTAGE SWITCHES OR PANEL CIRCUIT BREAKERS ONLY, ARE NOT REPRESENTED ON RELAY CABINET SCHEDULES.



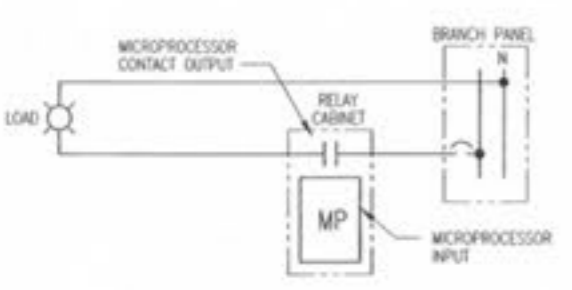
D1 LIGHTING CONTROL FUNCTIONAL SCHEMATIC - CASE NO. 1
 SCALE: NONE



C1 LIGHTING CONTROL FUNCTIONAL SCHEMATIC - CASE NO. 2
 SCALE: NONE



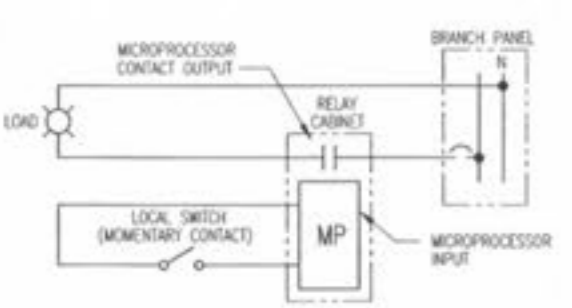
C2 LIGHTING CONTROL FUNCTIONAL SCHEMATIC - CASE NO. 5
 SCALE: NONE



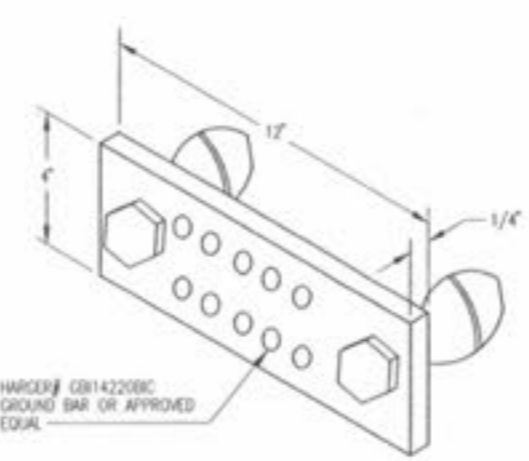
B1 LIGHTING CONTROL FUNCTIONAL SCHEMATIC - CASE NO. 3
 SCALE: NONE



B2 LIGHTING CONTROL FUNCTIONAL SCHEMATIC - CASE NO. 6
 SCALE: NONE



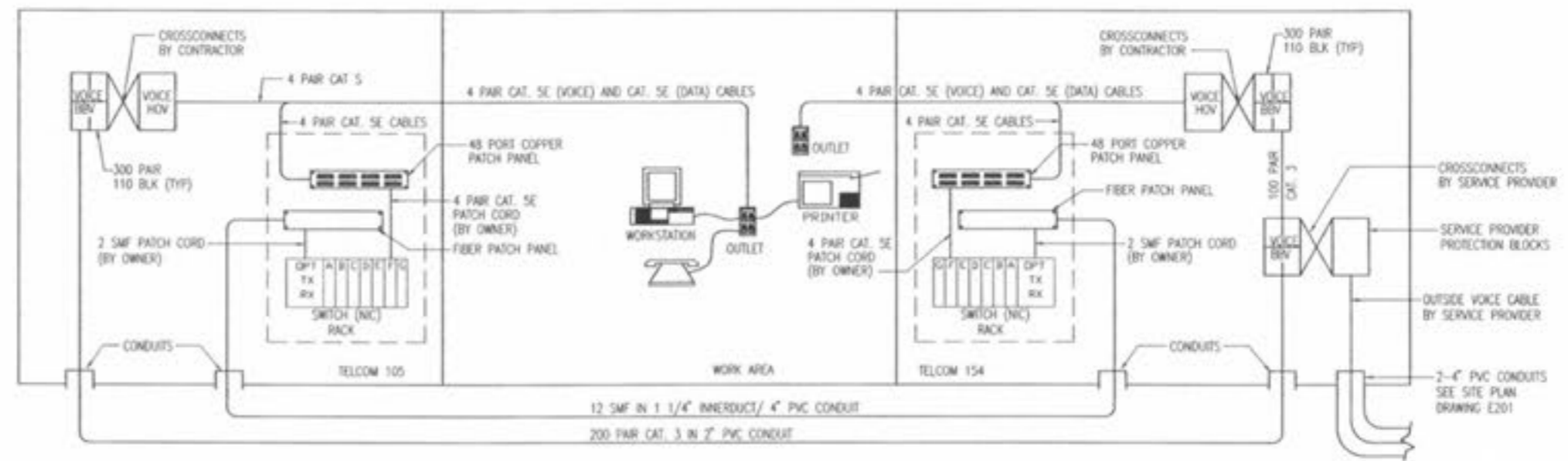
A1 LIGHTING CONTROL FUNCTIONAL SCHEMATIC - CASE NO. 4
 SCALE: NONE



D4 TELECOM GROUND BUS BAR (TGB) & TELECOM MAIN GROUND BUS BAR (TMGB)
 NO SCALE

NOTES:

1. FOR SYMBOLS, ABBREVIATIONS AND GENERAL NOTES, SEE DRAWING E801.



A3 VOICE/DATA TOPOLOGY DIAGRAM
 SCALE: NONE NOTE: REFER TO ASSOCIATED RACK ELEVATION ON DRAWING E801