



Revision: 12/9/02  
 Date: 12/9/02  
 By: Designer  
 Issued For: BID



**RENAUD SPIRIT CENTER**  
 For the City of O'Fallon - Missouri



Key Plan



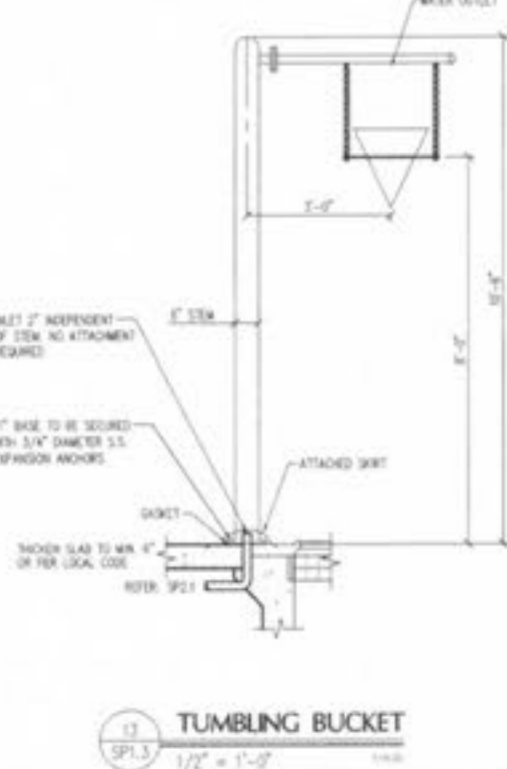
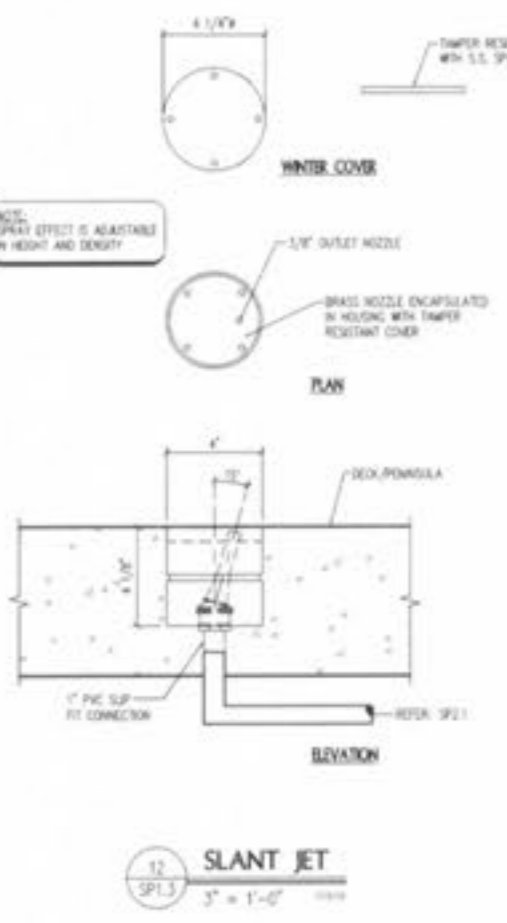
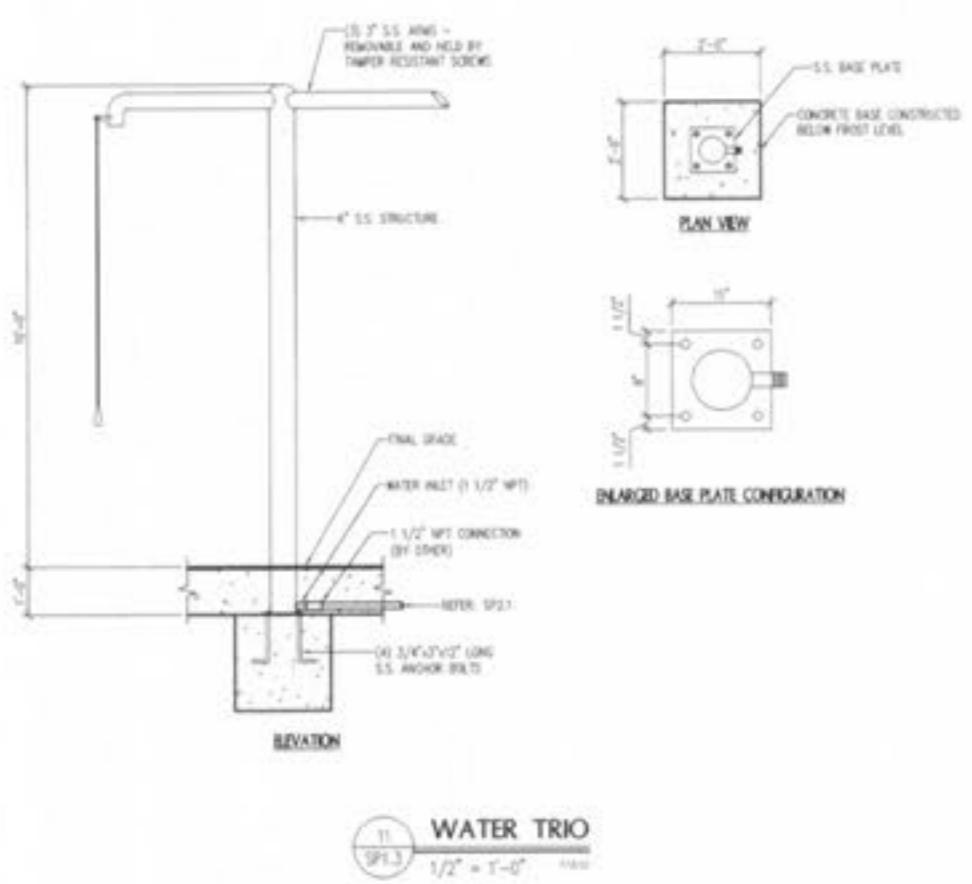
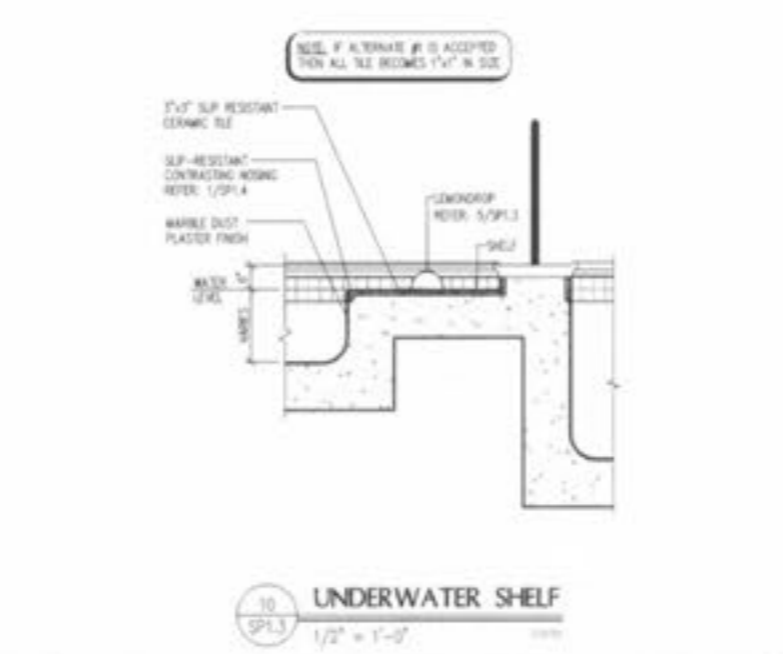
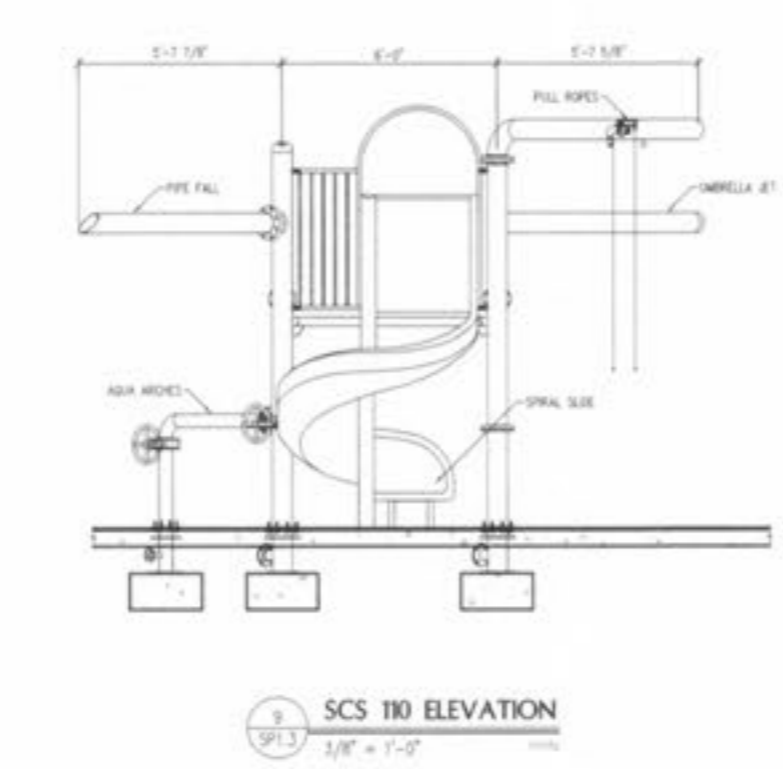
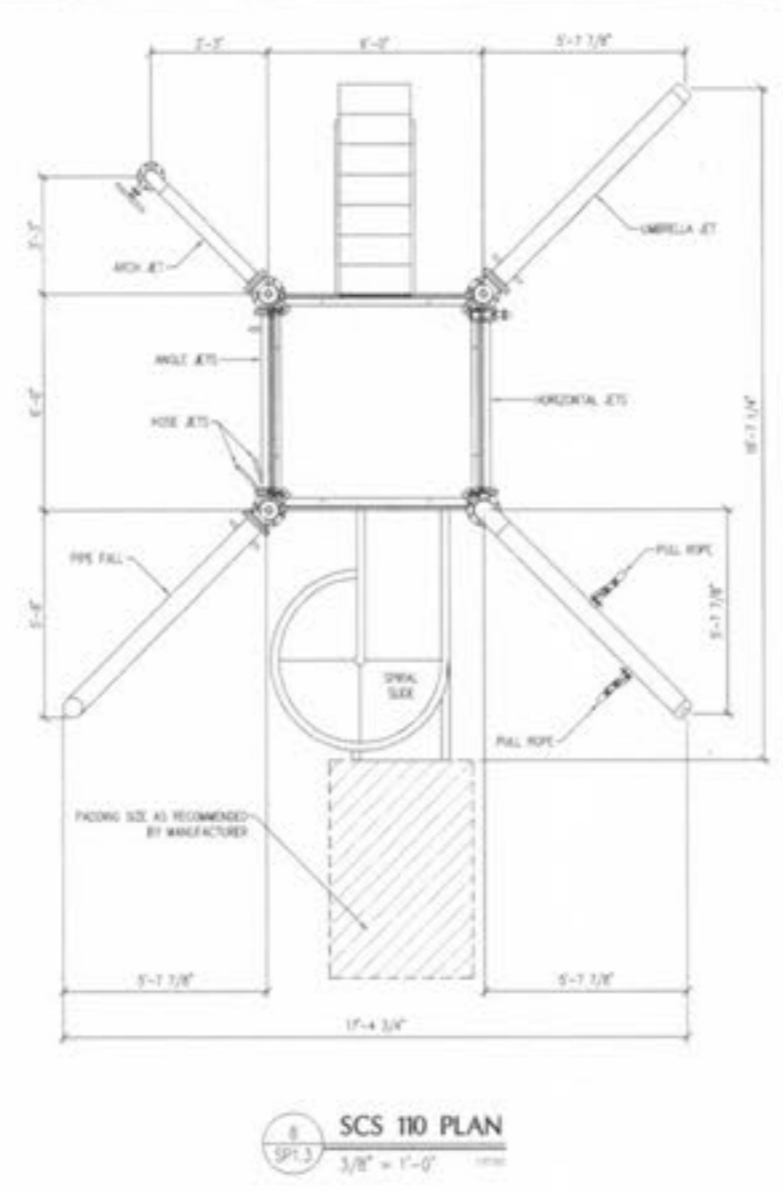
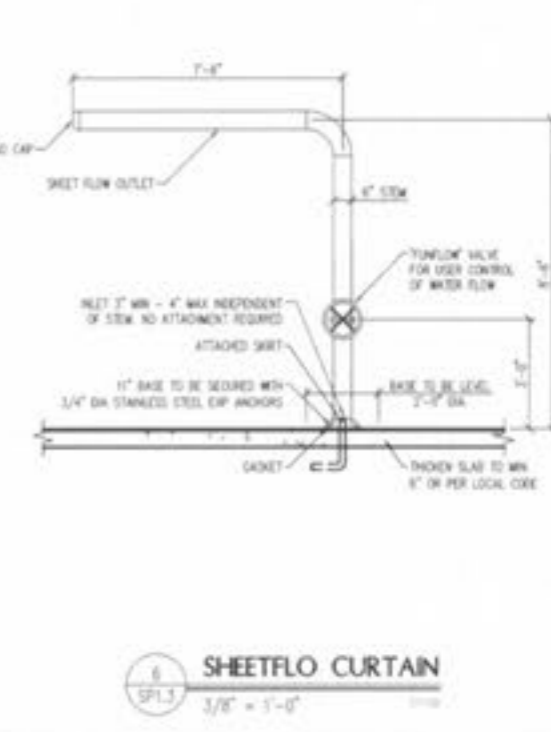
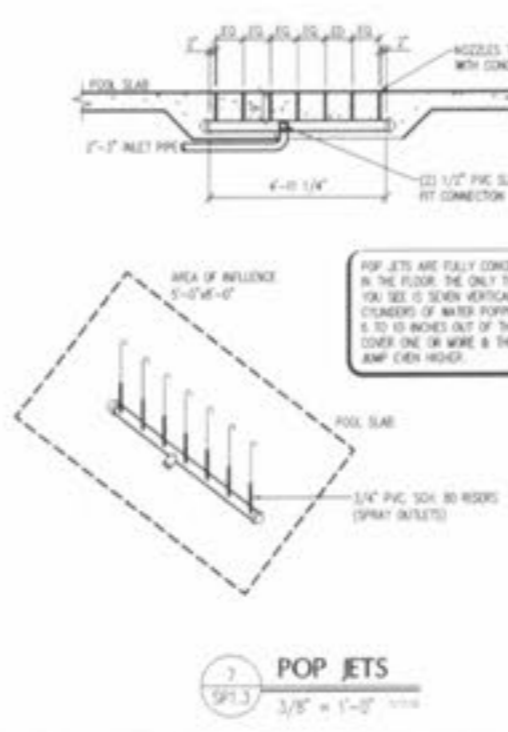
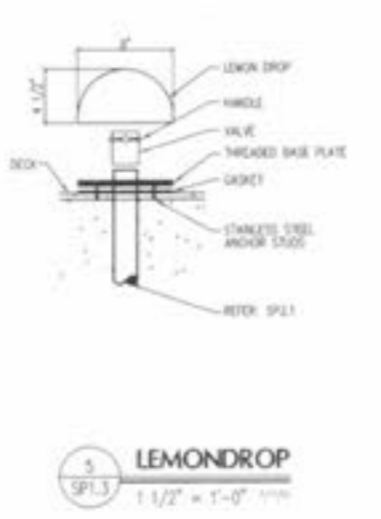
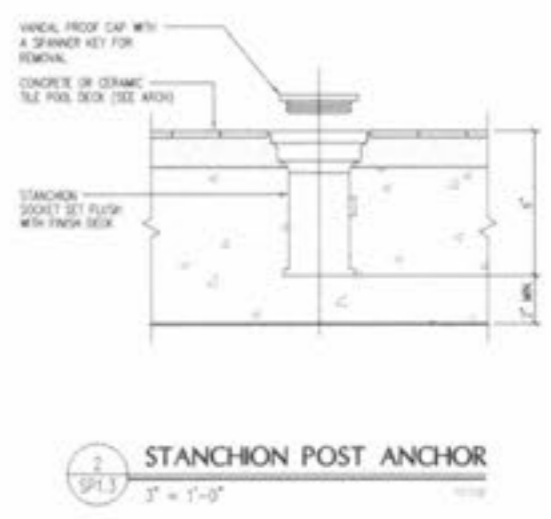
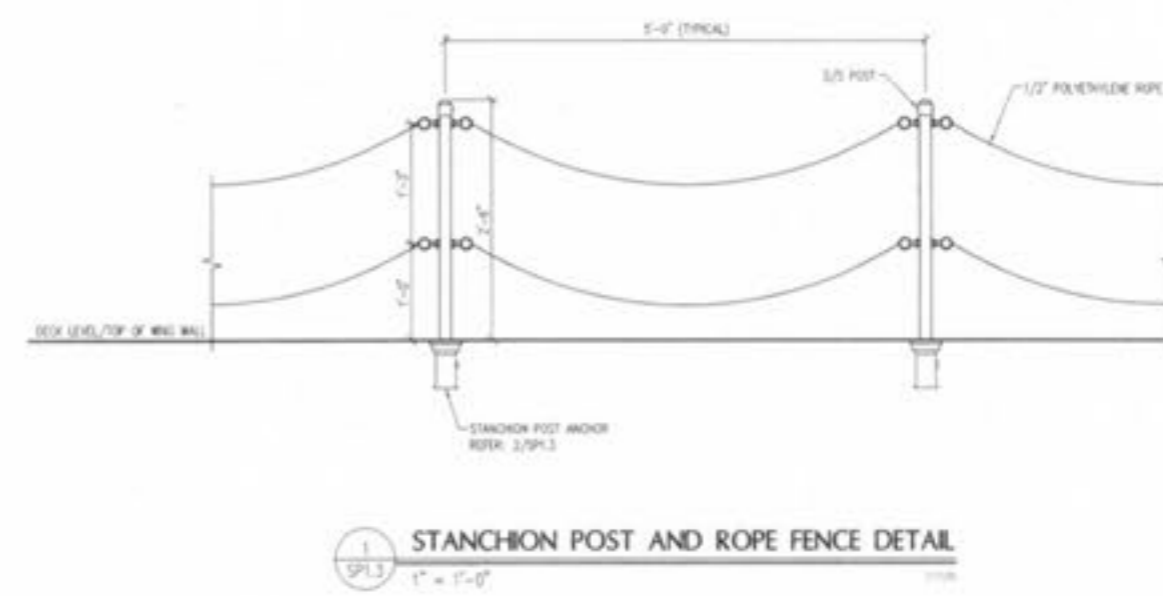
Scale: AS NOTED

Jacobs Project No: P094000

Drawing Title: LEISURE POOL DETAILS

Date: DECEMBER 9, 2002

Designed By: HSS  
 Drawn By: MCM/ML  
 Checked By: JSM  
 Drawing No: SP1.3



B  
C  
D  
A