



**RENAUD SPIRIT CENTER**  
 For the City of O'Fallon - Missouri



Key Plan



Scale: AS NOTED

Jacobs Project No: P094000

Drawing Title: LEISURE POOL DETAILS

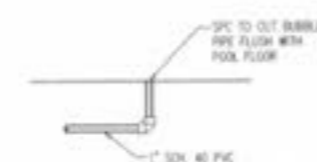
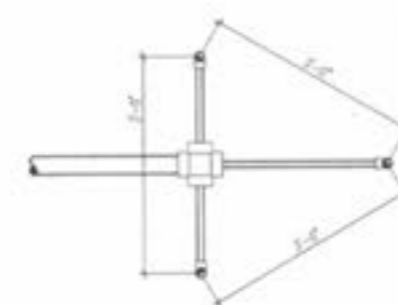
Date: DECEMBER 9, 2002

Designed By: ISS

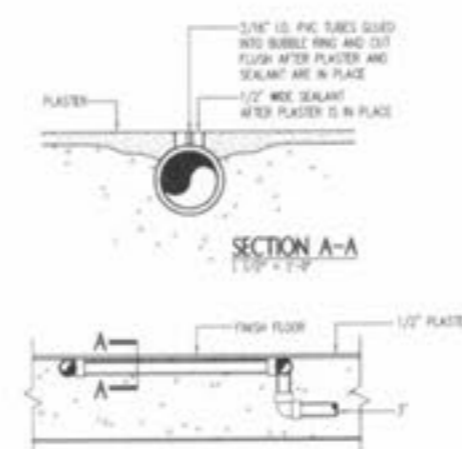
Drawn By: MJA/ML

Checked By: ISS

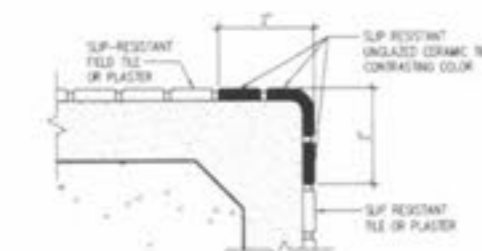
Drawing No: SP1.4



5 WATER BUBBLER FEATURE  
 3/4" x 1'-0"



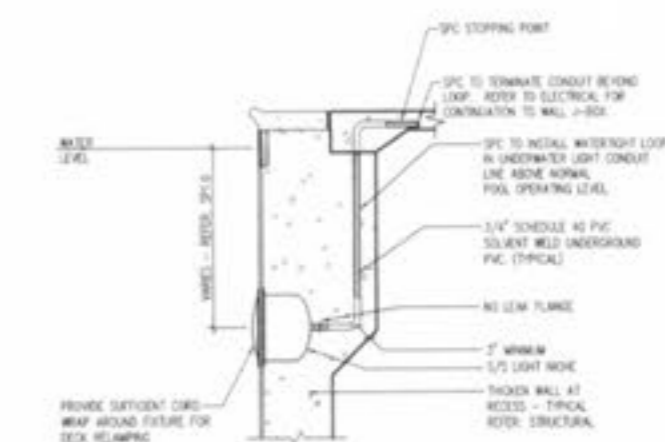
6 AIR BUBBLER FEATURE  
 3/4" x 1'-0"



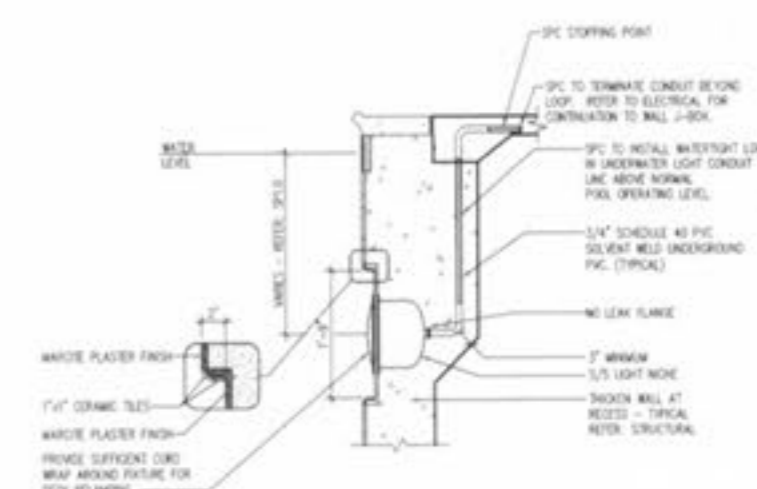
1 CONTRASTING TILE NOSING  
 1" x 1'-0"



2 HANDICAP GRAB RAILS  
 1" x 1'-0"



3 UNDERWATER LIGHT  
 3/4" x 1'-0"



4 RECESSED UNDERWATER LIGHT  
 3/4" x 1'-0"