



Revision: 12/9/02 ISSUED FOR BID

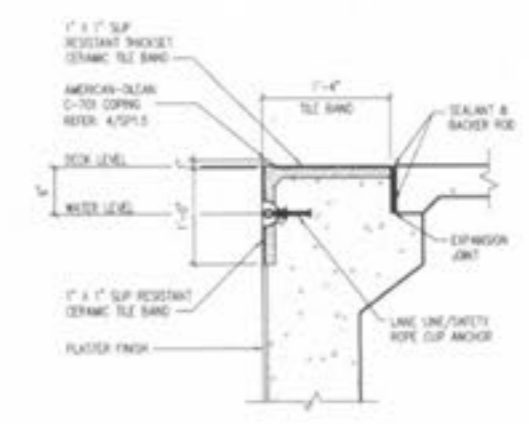


RENAUD SPIRIT CENTER
For the City of O'Fallon - Missouri

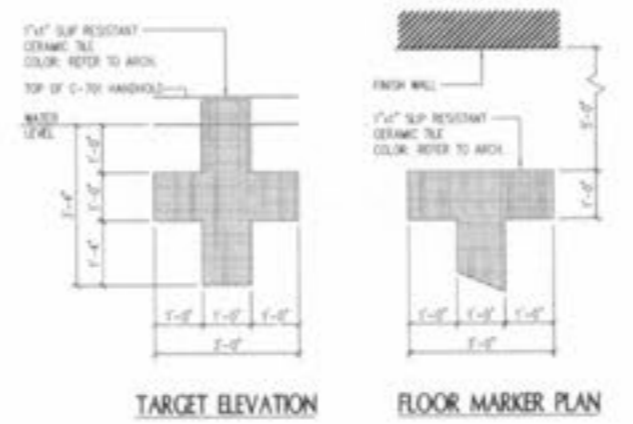


Scale: AS NOTED

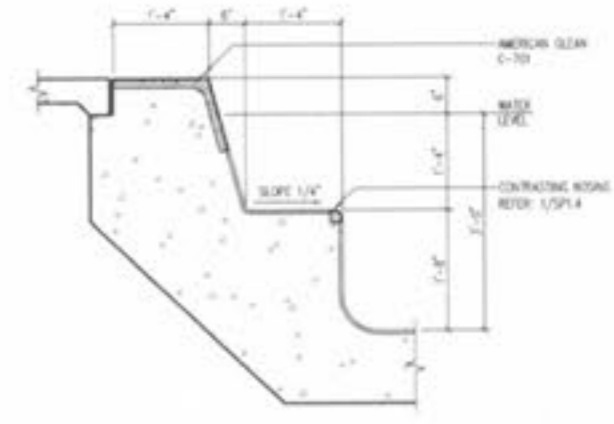
Jacobs Project No: F994000
Drawing Title: LEISURE POOL ALTERNATE #1 DETAILS
Date: DECEMBER 9, 2002
Designed By: [blank]
Drawn By: MCK/MLC
Checked By: [blank]
Drawing No: SP15



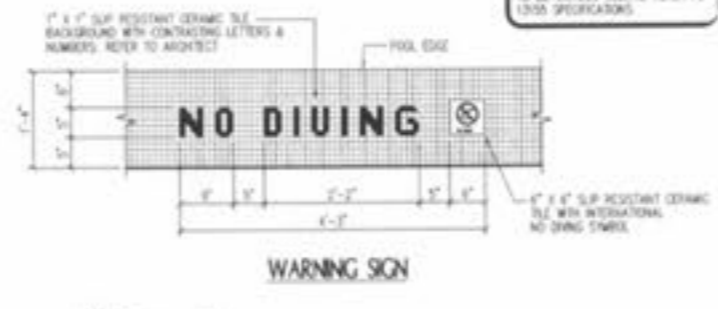
1 POOL WALL SECTION
SP1.5 1" = 1'-0"



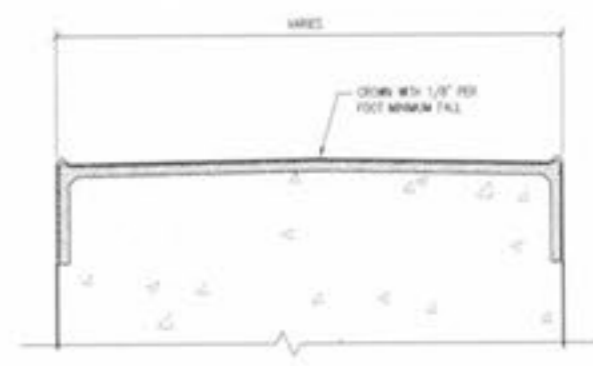
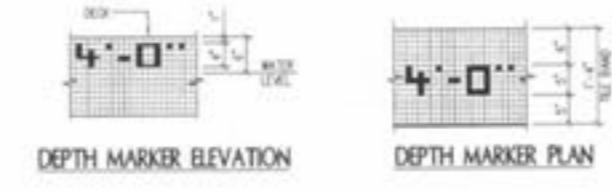
5 WALL TARGETS & LANE MARKERS
SP1.5 1/2" = 1'-0"



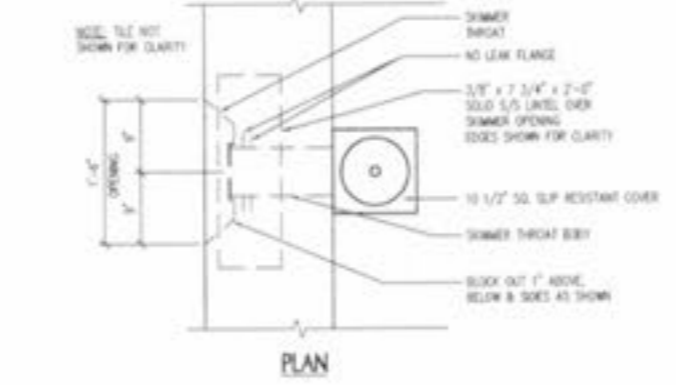
2 UNDERWATER BENCH
SP1.5 3/4" = 1'-0"



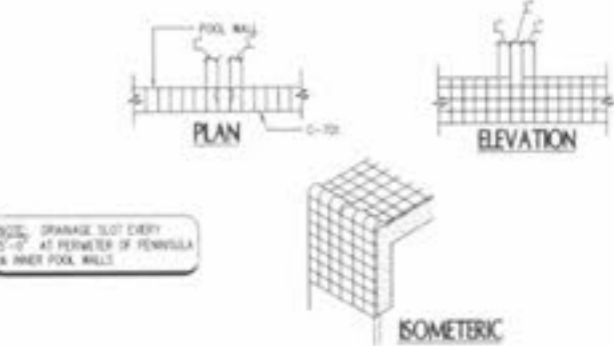
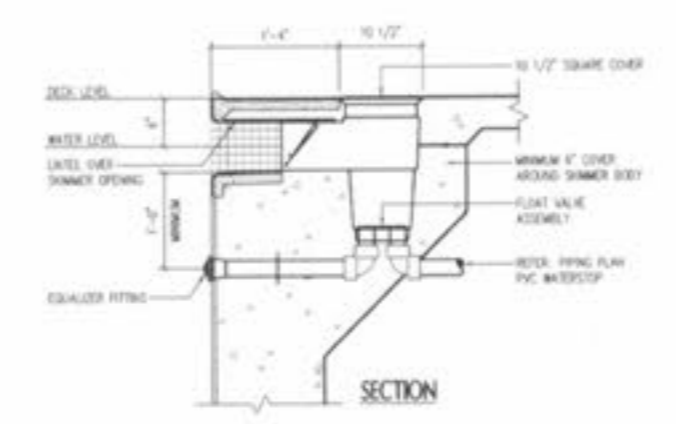
6 DEPTH MARKERS & NO DIVING SIGN
SP1.5 3/4" = 1'-0"



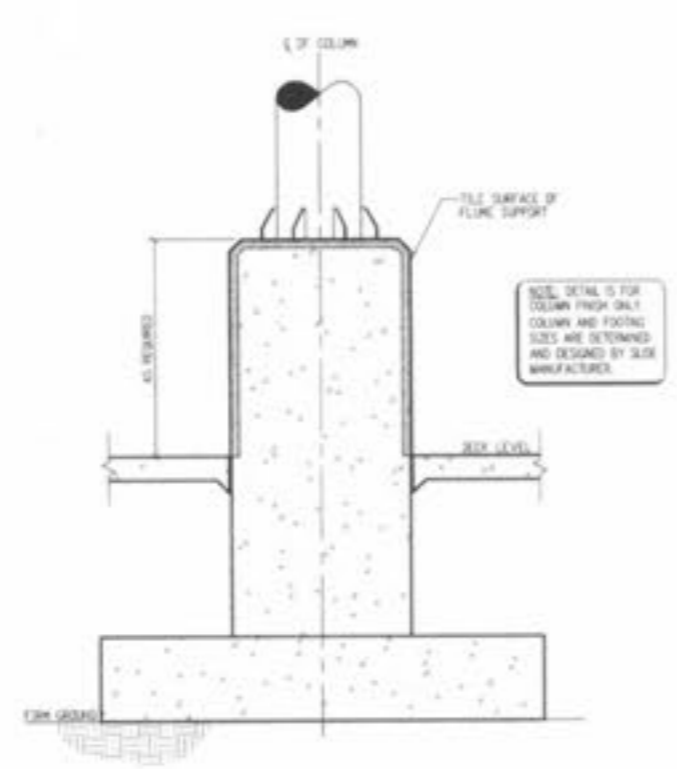
3 CROWN DETAIL
SP1.5 1" = 1'-0"



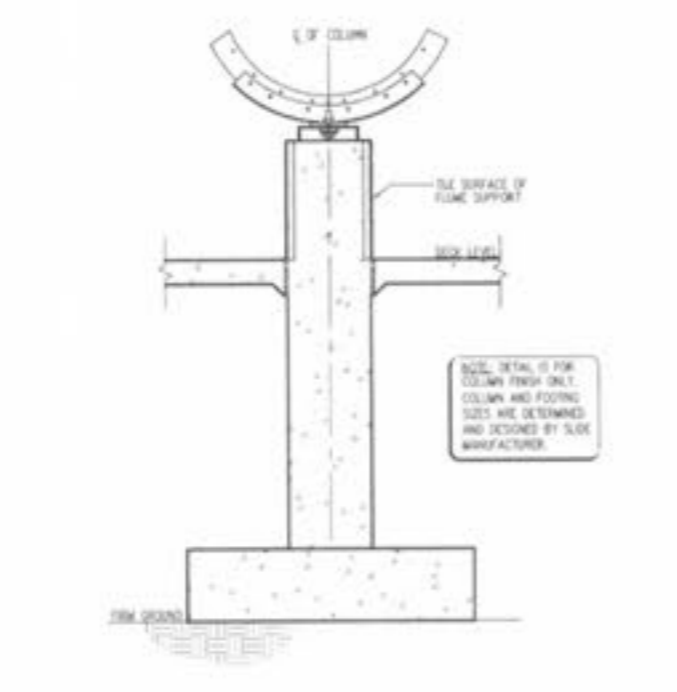
7 SKIMMER DETAIL
SP1.5 1" = 1'-0"



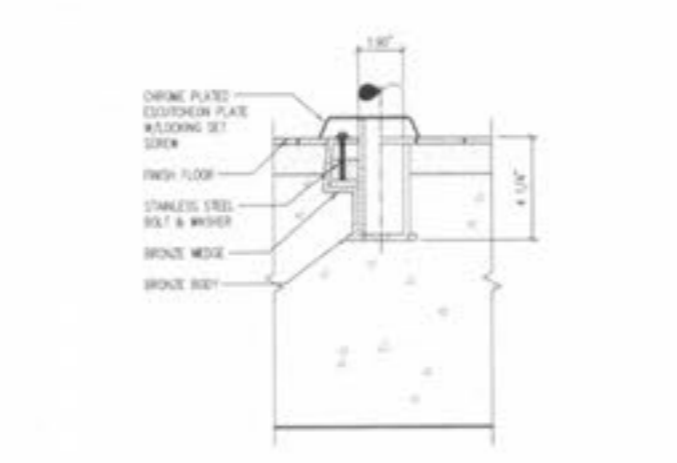
4 SCR/SCL 701 COPING
SP1.5 1 1/2" = 1'-0"



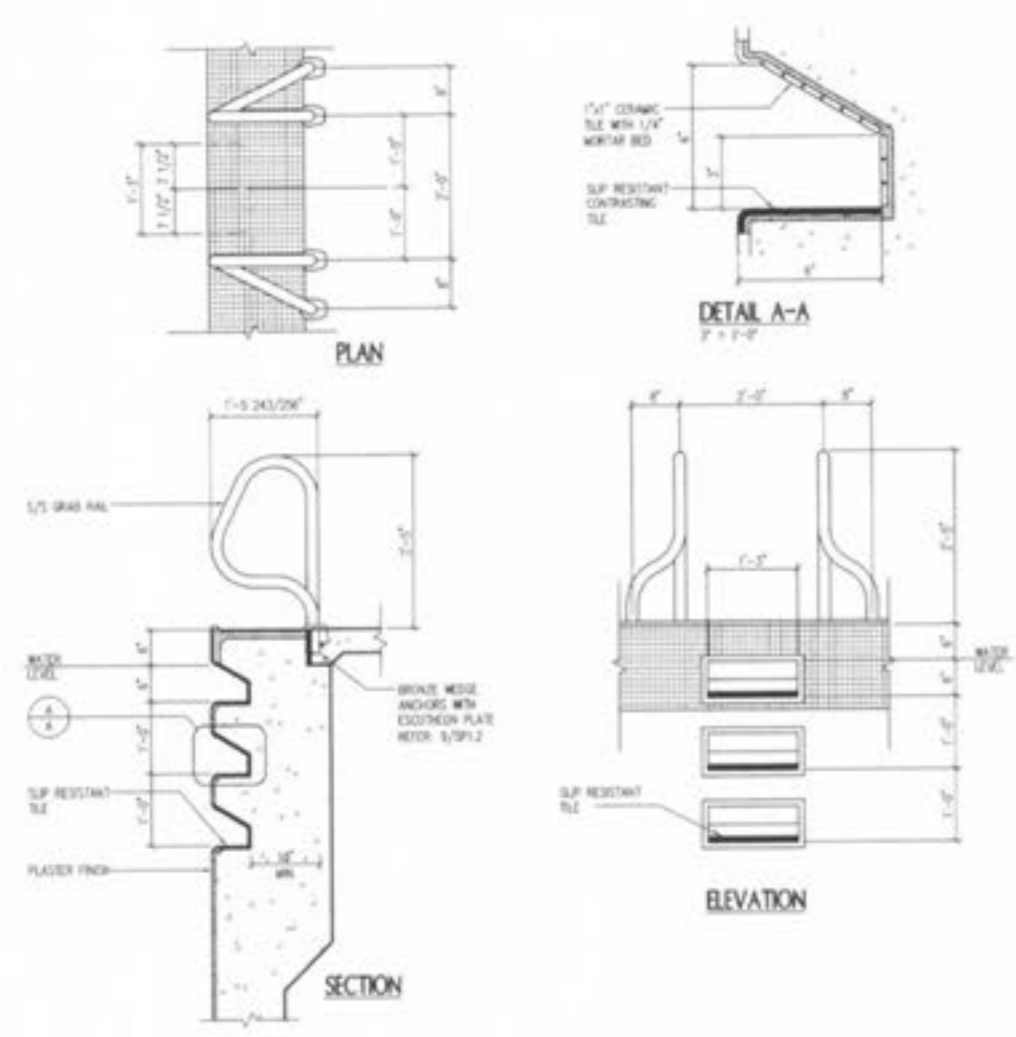
8 SLIDE FOOTING
SP1.5 3/4" = 1'-0"



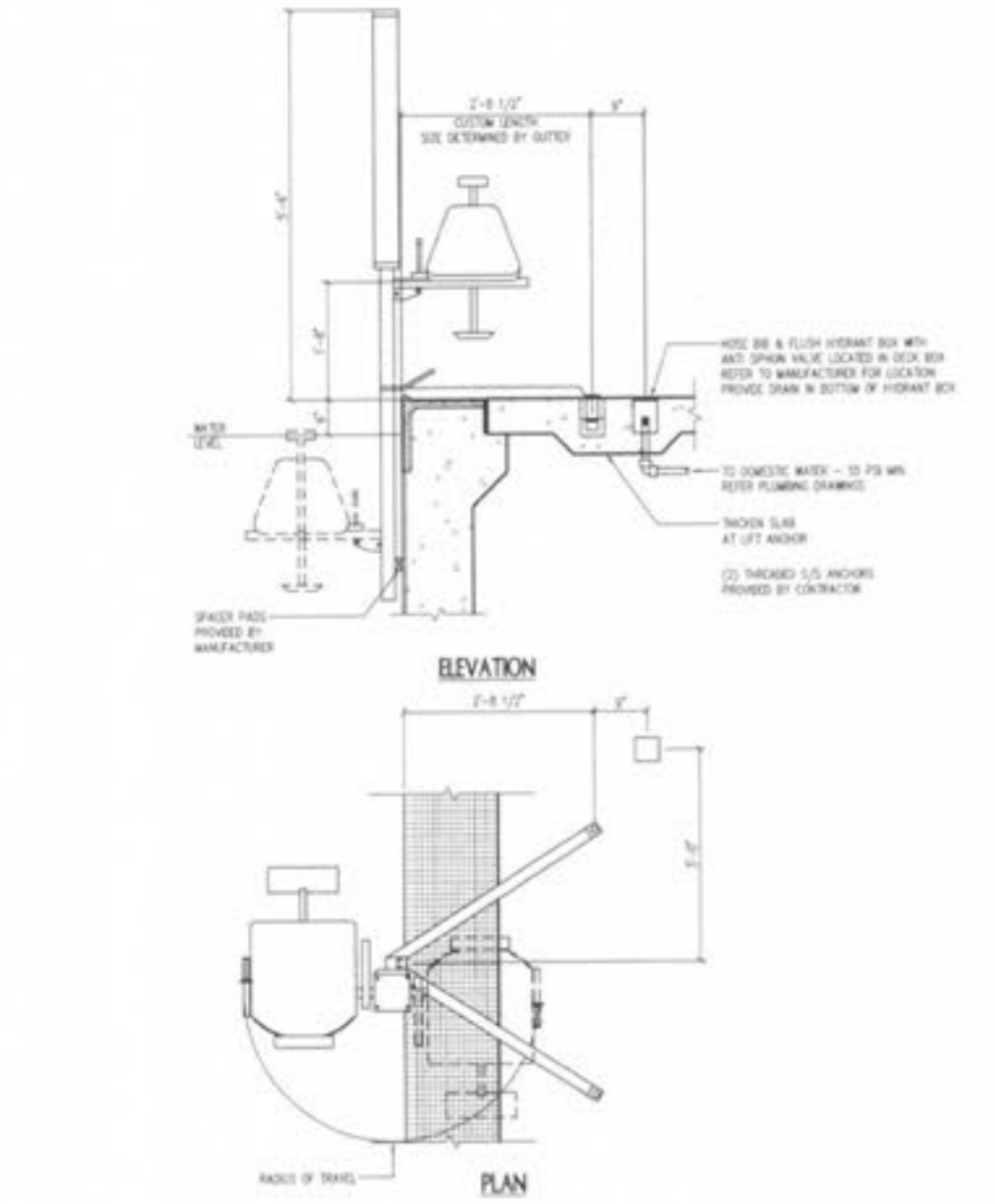
9 SLIDE COLUMN
SP1.5 3/4" = 1'-0"



10 WEDGE ANCHOR & ESCUTCHEON PLATE
SP1.5 1" = 1'-0"



11 GRAB RAILS & RECESSED STEPS
SP1.5 3/4" = 1'-0"



12 POOL HANDICAP LIFT
SP1.5 3/4" = 1'-0"