

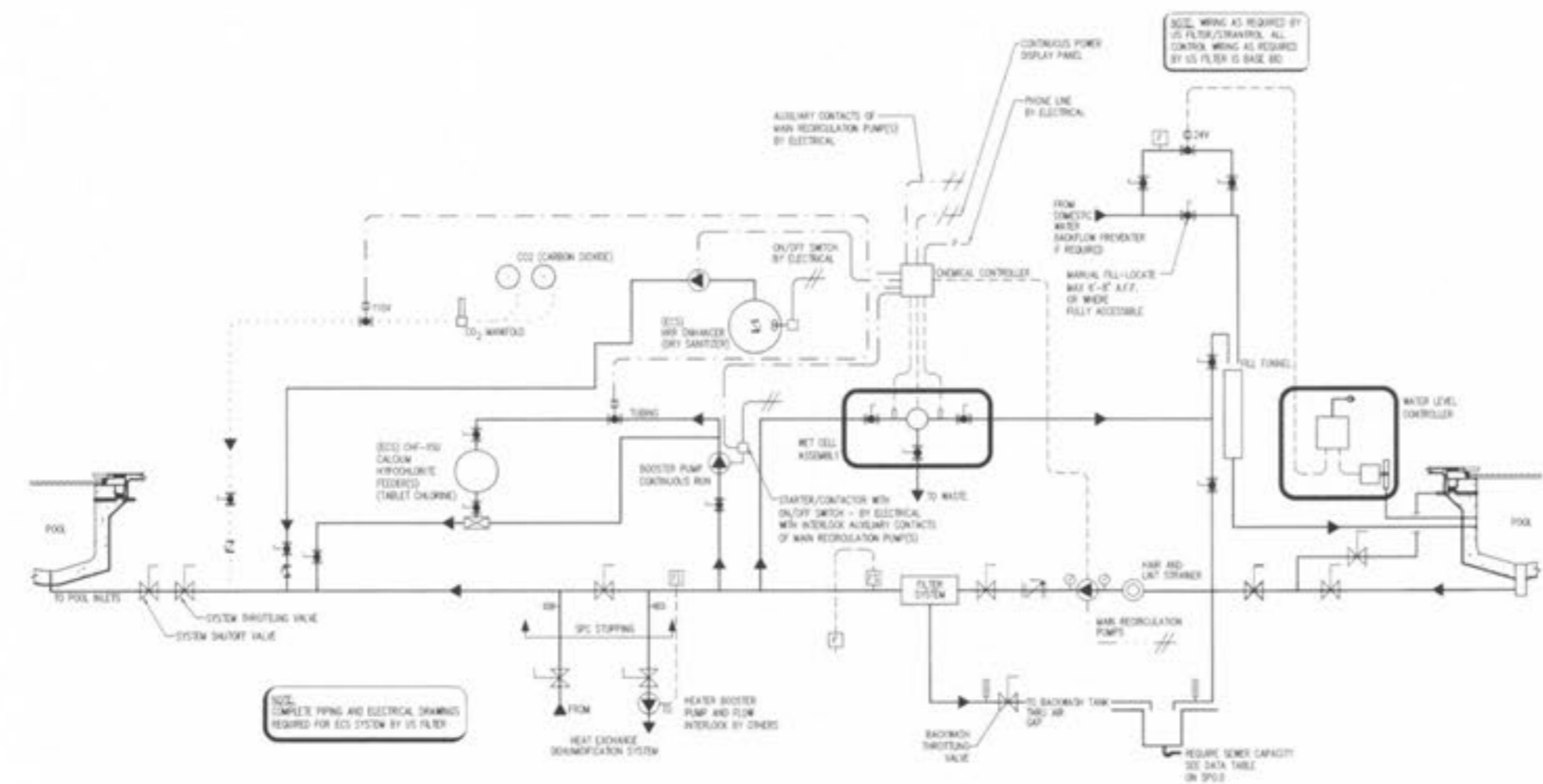
LEGEND

- ELECTRICAL LINE
- WATER LINE
- AIR LINE
- 1 PHASE POWER
- 3 PHASE POWER
- PHONE LINE

SYMBOL LEGEND

- WATER VALVE
- SHOCK VALVE
- REGULATED FLOW CONTROL VALVE
- BACKFLOW PREVENTER
- WATER LEVEL CONTROLLER
- TRANSFORMER
- SHOCK VALVE
- WATER
- POWER LINE
- PHASE AND LIFT STRAINER
- FLOW SHOWER
- FLOW WATER
- FLOW WASTEWATER
- PHASE
- REGULATED FLOW

1
 SP13
 NTS
CHEMICAL SCHEMATIC



LEGEND

- ELECTRICAL LINE
- WATER LINE
- AIR LINE
- 1 PHASE POWER
- 3 PHASE POWER
- PHONE LINE

SYMBOL LEGEND

- WATER VALVE
- SHOCK VALVE
- REGULATED FLOW CONTROL VALVE
- BACKFLOW PREVENTER
- WATER LEVEL CONTROLLER
- TRANSFORMER
- SHOCK VALVE
- WATER
- POWER LINE
- PHASE AND LIFT STRAINER
- FLOW SHOWER
- FLOW WATER
- FLOW WASTEWATER
- PHASE
- REGULATED FLOW

1
 SP13
 NTS
ECS ALTERNATE #2 CHEMICAL SCHEMATIC

RENAUD SPIRIT CENTER
 For the City of O'Fallon - Missouri



Jacobs Project No: F0940600
 Drawing Title: CHEMICAL SCHEMATIC
 Date: DECEMBER 9, 2002
 Designed By: HEC
 Drawn By: MCM/WJ
 Checked By: SM
 Drawing No: SP3.3