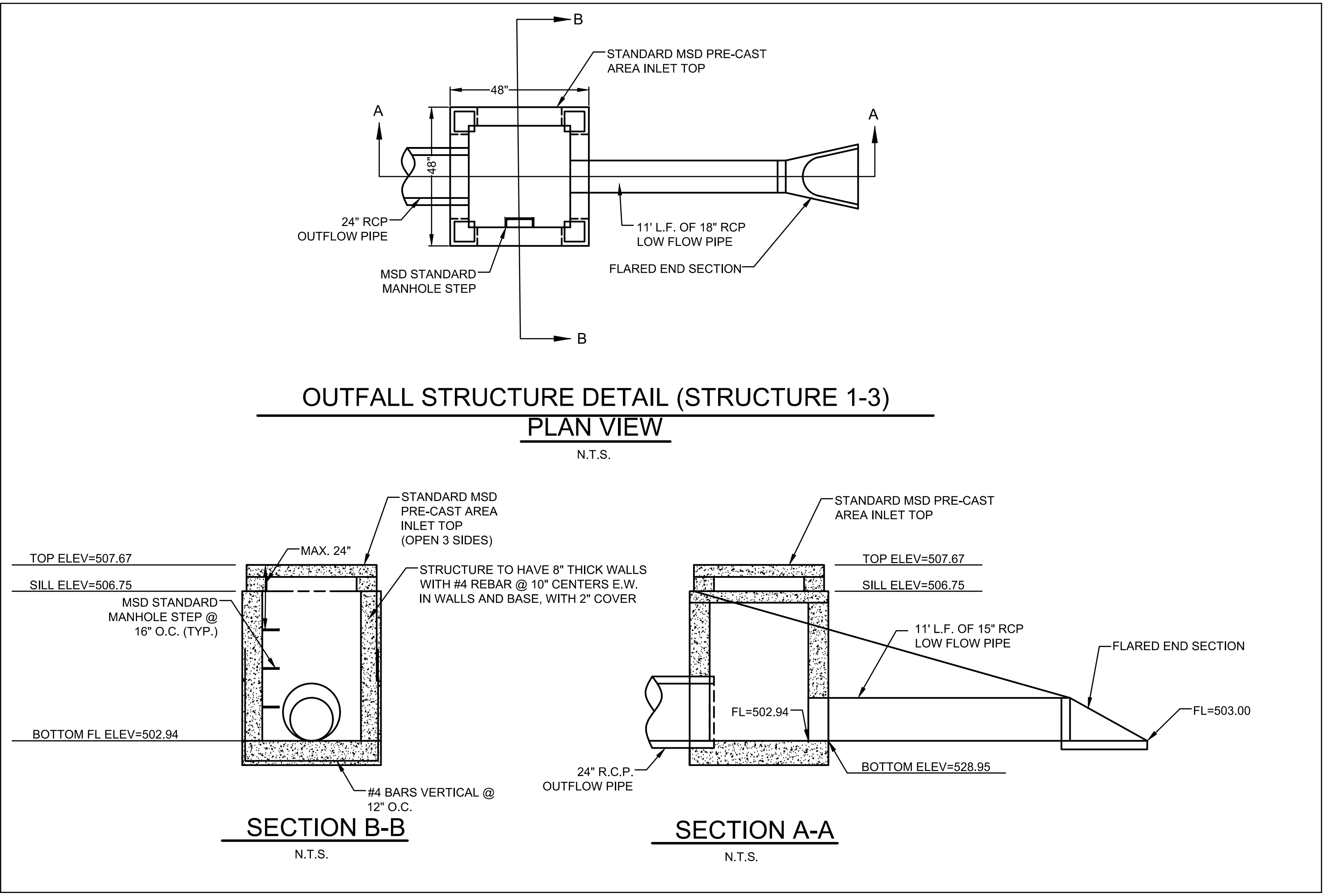


HORNER SHIFRIN
101 LAURA V DR. STE. 101 OF FALLON, MO 63366-3991
636-329-9296 • FAX 636-329-2810 • WWW.HORNERSHIFRIN.COM
DISCIPLINE: PROFESSIONAL ENGINEERING
CERTIFICATE OF AUTHORITY: 000169
EXPIRATION DATE: DECEMBER 31, 2018

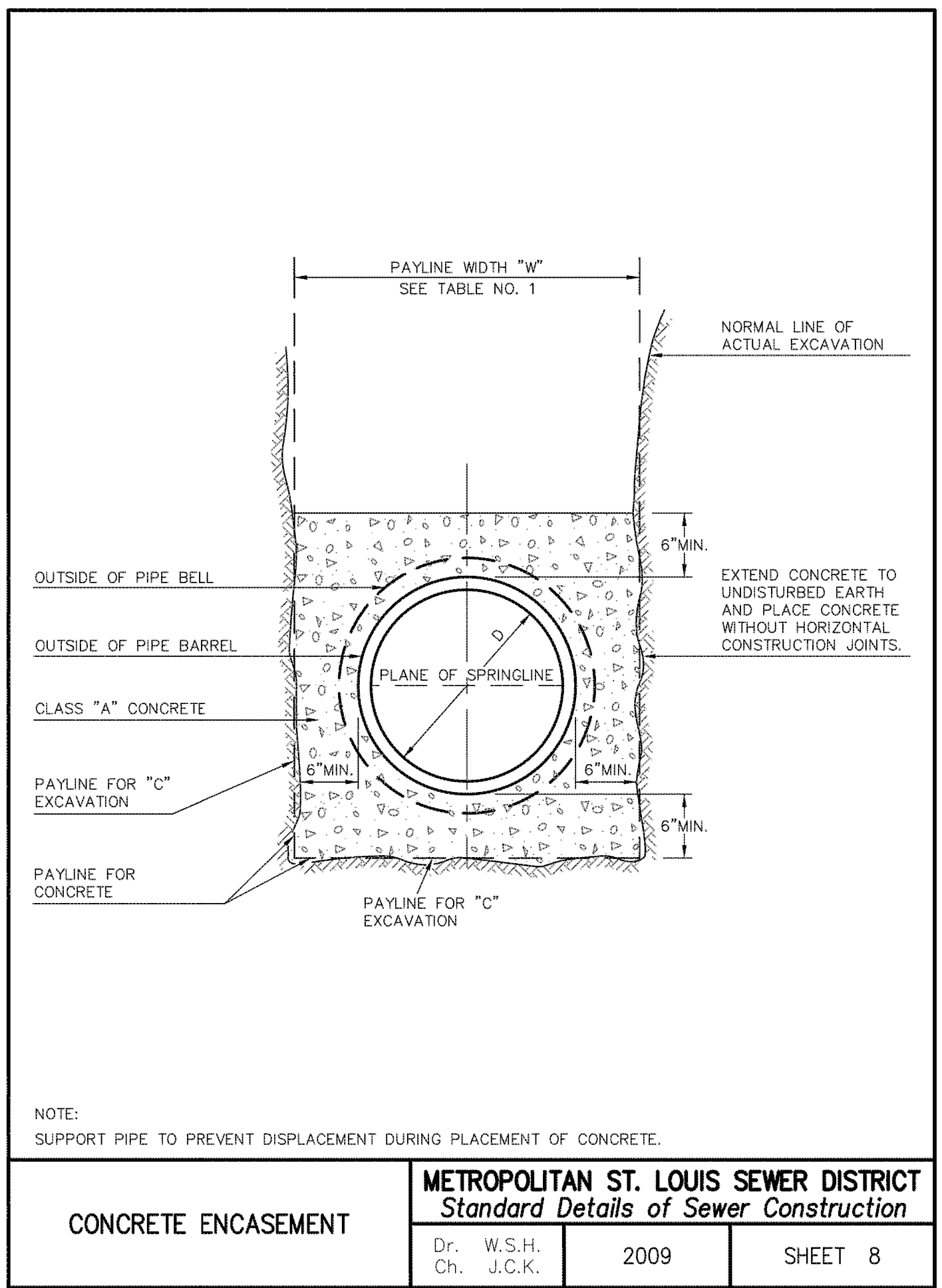
STATE OF MISSOURI
APRIL GEISMANN
PROFESSIONAL ENGINEER
NUMBER E-2001004592
7/18/18
Name: April Geismann
Discipline: Civil Engineer
License No. E2001004592
Expiration Date: 12/31/2019



ROUND PIPE				HORIZONTAL ELLIPTICAL PIPE			
INSIDE DIAMETER OF PIPE (INCHES)	"W" PAYLINE WIDTH OF TRENCH (INCHES)	"W" PAYLINE WIDTH OF TRENCH (FEET)	PAY-VOLUMES CU. FT. PER FT.	INSIDE DIMENSIONS OF PIPE (INCHES)	"W" PAYLINE WIDTH OF TRENCH (INCHES)	"W" PAYLINE WIDTH OF TRENCH (FEET)	PAY-VOLUMES CU. FT. PER FT.
			CONCRETE ENCASEMENT				CONCRETE ENCASEMENT
4	30	2.50	3.28				
6	30	2.50	3.59				
8	30	2.50	3.87				
10	30	2.50	4.09				
12	30	2.50	4.25				
15	36	3.00	5.55				
18	36	3.00	5.77	14 x 23	41	3.42	5.94
21	39	3.25	6.61				
24	42	3.50	7.39	19 x 30	49	4.08	7.68
27	45	3.75	8.18	22 x 34	53	4.42	8.61
30	49	4.08	9.30	24 x 38	58	4.83	9.70
33	53	4.42	10.53	27 x 42	62	5.17	10.71
36	56	4.67	11.43	29 x 45	66	5.50	11.72
39	DISCONTINUED			32 x 49	71	5.92	13.14
42	63	5.25	13.38	34 x 53	75	6.25	14.05
48	70	5.83	15.67	38 x 60	83	6.92	16.18
54	77	6.42	18.15	43 x 68	92	7.67	18.81
60	84	7.00	20.73	48 x 76	101	8.42	21.59
66	91	7.58	23.45	53 x 83	109	9.08	24.35
72	98	8.17	26.37	58 x 91	118	9.83	27.45
78	105	8.75	29.39	63 x 98	126	10.50	30.50
84	112	9.33	32.57	68 x 106	135	11.25	33.91
90	119	9.92	35.90	72 x 113	143	11.92	36.99
96	126	10.50	39.37	77 x 121	152	12.67	40.69
102	133	11.08	42.99	82 x 128	160	13.33	44.45
108	140	11.67	46.75	87 x 136	168	14.00	47.79
114	147	12.25	50.66	92 x 143	176	14.67	51.70
120	154	12.83	54.72	97 x 151	185	15.42	56.01
126	161	13.42	58.92				
132	168	14.00	63.27	106 x 166	202	16.83	64.48
144	182	15.17	72.40	116 x 180	218	18.17	73.59

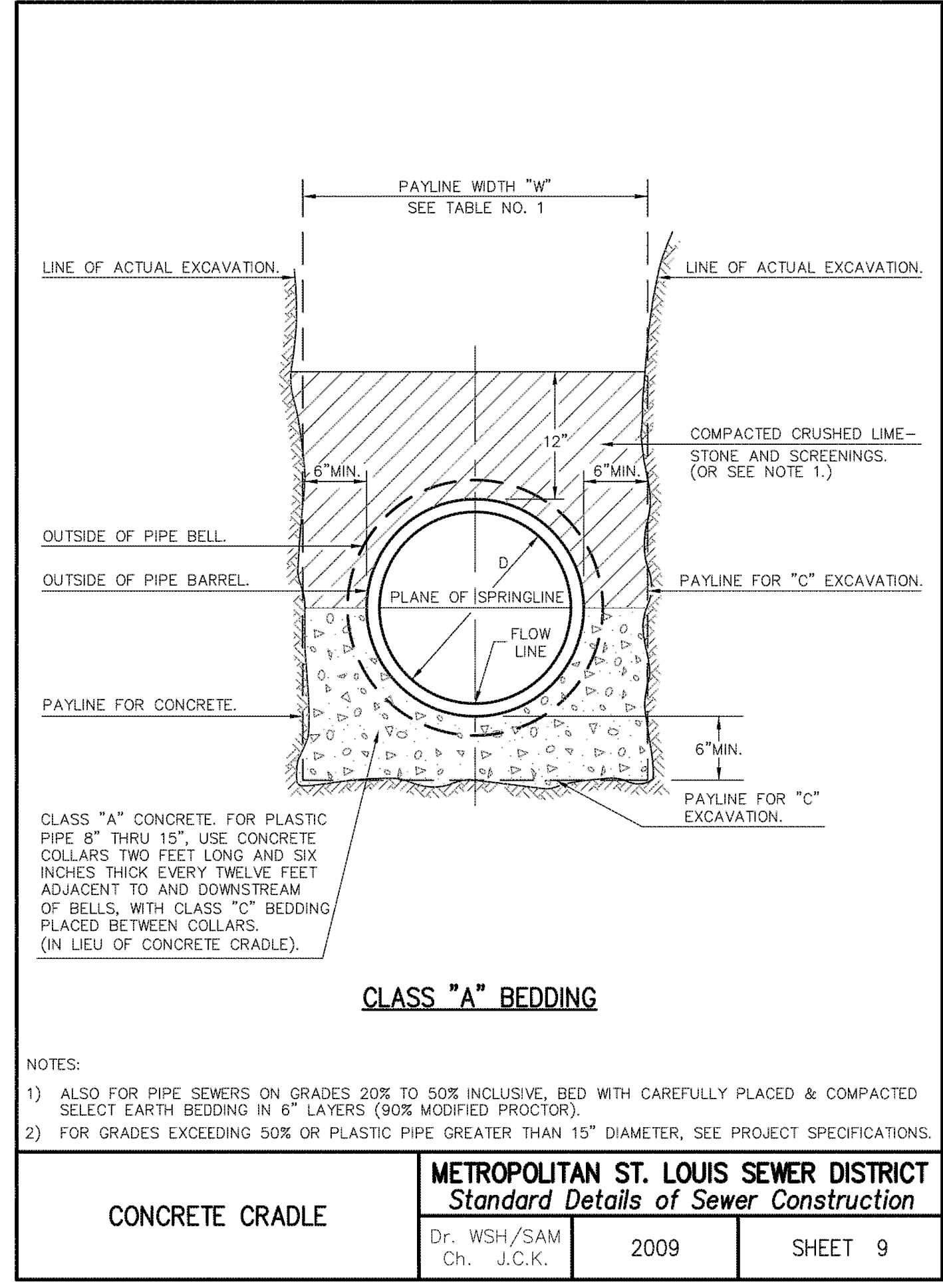
TABLE 1
PAYLINE WIDTHS OF TRENCH AND PAY-QUANTITIES OF CONCRETE

METROPOLITAN ST. LOUIS SEWER DISTRICT
Standard Details of Sewer Construction
Dr. B.E.B. Ch. J.C.K. 2009 SHEET 1



CONCRETE ENCASEMENT

METROPOLITAN ST. LOUIS SEWER DISTRICT
Standard Details of Sewer Construction
Dr. W.S.H. Ch. J.C.K. 2009 SHEET 8



CONCRETE CRADLE

METROPOLITAN ST. LOUIS SEWER DISTRICT
Standard Details of Sewer Construction
Dr. W.S.H. Ch. J.C.K. 2009 SHEET 9

RENEW O'FALLON
T.R. HUGHES BLVD
O'FALLON, MO 63366

SHEET TITLE STORM AND SANITARY SEWER DETAILS

PROJECT NUMBER: 17050

SHEET NUMBER:

C10.7

DRAWN BY: AMH CHECKED BY: AMG

OPERATOR: AMHARRISON
 CTR: Trans-st-dwg
 PLOT DATE: 6/22/2018 1:44:18 PM
 DWG: C:\pwworkspace\shifrin\17050\Details.dwg
 PAGE SETUP NAME: ...
 SAVE DATE: 7/19/2018 2:12:13 PM