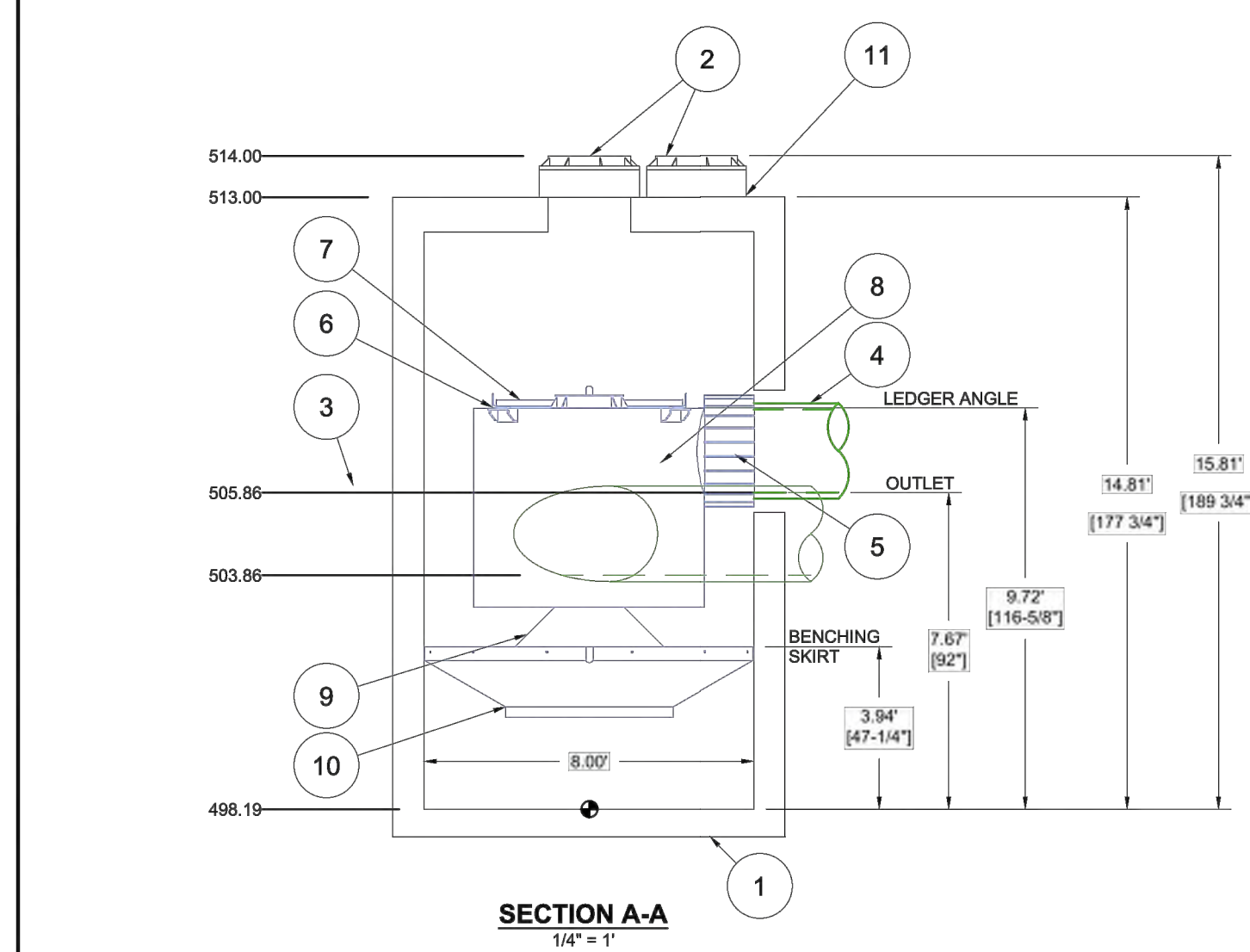


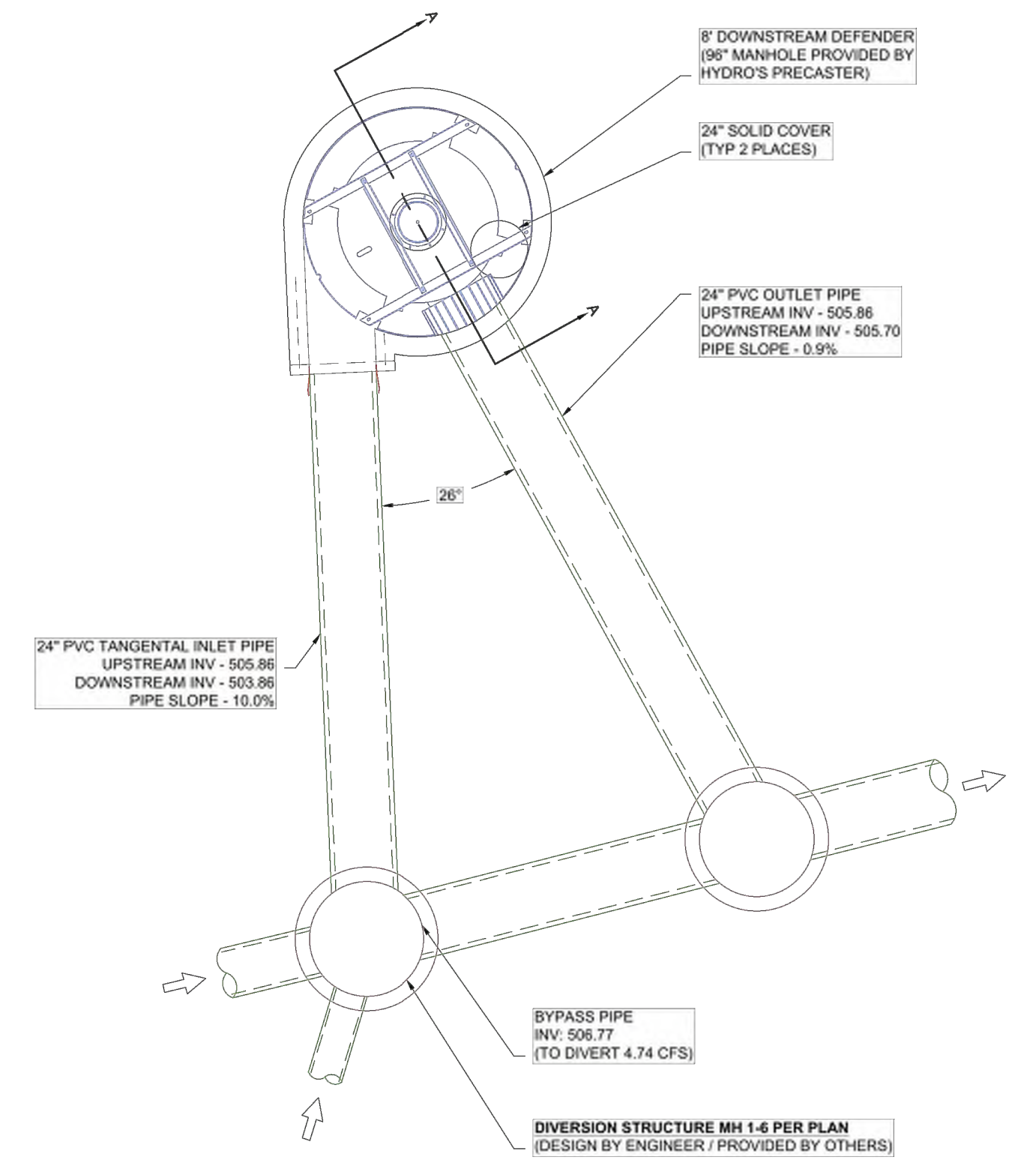
PARTS LIST: 8" DOWNSTREAM DEFENDER			
ITEM	SIZE (IN)	MATERIAL	DESCRIPTION
1	96	CONCRETE	I.D. PRECAST MANHOLE
2	24	-	FRAME & COVER
3	24	PVC	INLET PIPE (BY OTHERS)
4	24	PVC	OUTLET PIPE (BY OTHERS)
5	24	-	PIPE COUPLING (BY OTHERS)
6	-	-	LEDGER ANGLE
7	-	-	SUPPORT FRAME
8	-	-	DIP PLATE
9	-	-	CENTER SHAFT & CONE
10	-	-	BENCHING SKIRT
11	-	-	MATERIALS & LABOR TO ACHIEVE FINAL GRADE (BY OTHERS)

NOTES:
 ENGINEER / CONTRACTOR TO CONFIRM PIPE MATERIALS.
 ALL PIPE CONNECTIONS TO DOWNSTREAM DEFENDER TO BE A-LOK CONNECTIONS.

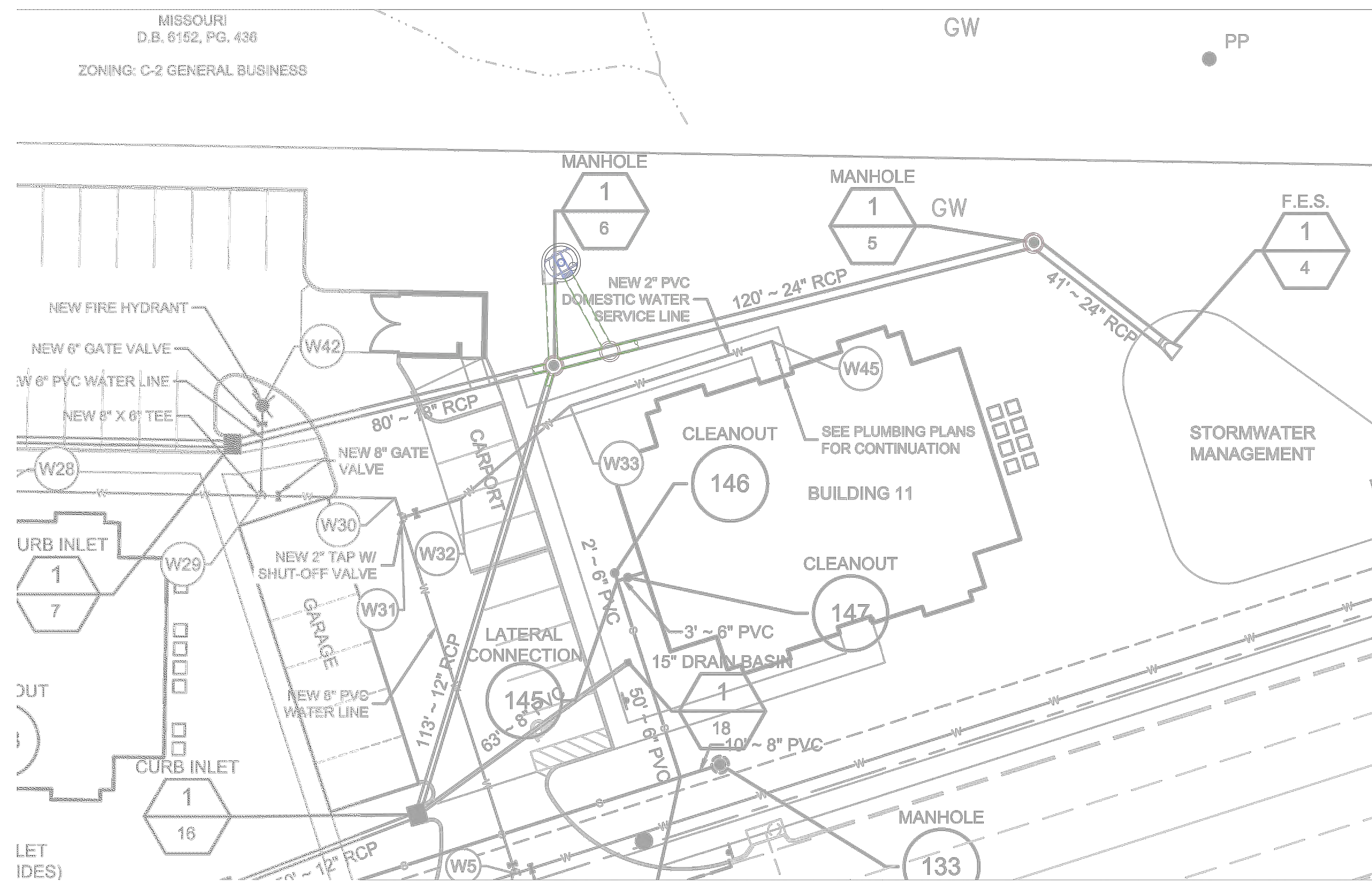


CAPACITIES
 1. PEAK TREATMENT FLOW: 15.0 CFS (425 L/S)
 2. SEDIMENT STORAGE CAPACITY: 4.65 YD³ (3.56 m³)
 3. OIL STORAGE CAPACITY: 540 GALLONS (2044 LITERS)

ADDITIONAL DESIGN INFORMATION
 1. THE OUTLET PIPE STUB IS A ROTO-MOLDED PRODUCT WITH AN I.D. OF 24" THAT CANNOT BE MODIFIED. TO AVOID THE USE OF A REDUCER OR EXPANDER ON THE OUTLET AN 24" OUTLET PIPE SHOULD BE USED IF POSSIBLE.
 2. ONLY SMALLER INLET PIPES MAY BE USED. THE INLET PIPE INVERT SHOULD BE PLACED ONE INLET PIPE DIAMETER BELOW THE OUTLET PIPE INVERT. THE I.D. OF THE INLET PIPE SHOULD BE PLACED TANGENT TO THE I.D. OF THE MANHOLE. HEADLOSS AT 15.0 CFS WITH AN 24" INLET: 15' (330 mm). HEADLOSS WILL INCREASE WITH SMALLER INLET PIPES.
 3. SEDIMENT SHALL BE STORED IN A ZONE THAT IS ISOLATED FROM THE MAIN FLOW PATH AND PROTECTED FROM RE-ENTRAINMENT BY THE BENCHING SKIRT.



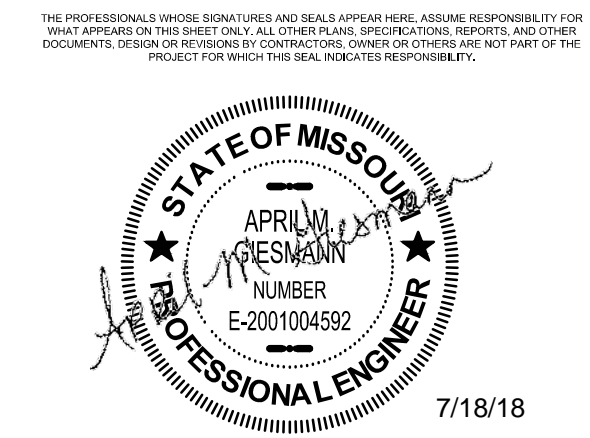
DESCRIPTION	DATE	BY	CHKD
OF FALLOON MULTI-FAMILY	04-10-18	ASG	ASG
OF FALLOON, MO	PROJECT #	S078148	CHECKED BY
			GW



PRINTS ISSUED
 05/11/18 - Permit Set

REVISIONS:

HORNER SHIFRIN
 101 LAURA V. DR., STE. 101, OF FALLOON, MO 63366-2981
 636-329-8296 • FAX 636-329-2910 • WWW.HORNERSHIFRIN.COM
 DISCIPLINE: PROFESSIONAL ENGINEERING
 CERTIFICATE OF AUTHORITY: 000169
 EXPIRATION DATE: DECEMBER 31, 2018



Name: April Geismann
 Discipline: Civil Engineer
 License No. E-2001004592
 Expiration Date: 12/31/2019

RENEW O'FALLOON
T.R. HUGHES BLVD
O'FALLOON, MO 63366

SHEET TITLE: DOWNSTREAM DEFENDER DETAIL

PROJECT NUMBER: 17050

SHEET NUMBER:

C10.8

DRAWN BY: AMH CHECKED BY: AMG

DWG: C:\pwworkspace\aharison\dwgs\171759\Details.dwg
 CTR: Trans-stud
 PAGE SETUP NAME: ...
 PLOT DATE: 6/24/2018 1:44:27 PM
 OPERATOR: AMHARISON
 SAVED DATE: 7/19/2018 2:12:13 PM