

STORM SEWER PROFILES

SCALES:
 1" = 20' HORIZONTAL
 1" = 5' VERTICAL

GENERAL NOTES:

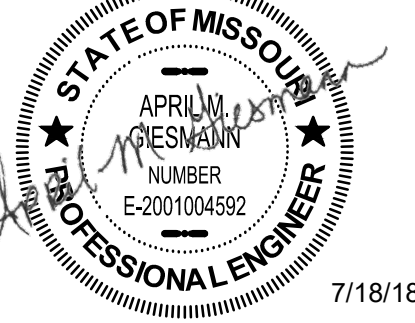
1. T = TOP OF MANHOLE CASTING OR INLET STONE.
2. ALL STORM SEWER PIPE TO BE CLASS III UNLESS OTHERWISE NOTED. CASKETED PIPE (O-RING) ASTM C-443.
3. CONTRACTOR TO PROVIDE COMPACTED GRANULAR BACKFILL TO THE SUBGRADE OF THE PAVEMENT FOR ALL TRENCHES UNDER PAVEMENT.
4. PIPE CENTERLINE APPLIES TO CENTERLINE OF STRUCTURE.
5. LOCATION OF UTILITIES ON PIPE PROFILES ARE APPROXIMATE.
6. DISTANCES BETWEEN STRUCTURES ARE MEASURED TO THE CENTER OF THE STRUCTURES.
7. FILL MATERIAL UPON WHICH THE PROPOSED SEWERS ARE TO BE LAID SHALL BE COMPACTED TO 90% OF MAXIMUM DENSITY AS DETERMINED BY ASTM D-1557-180 AASHTO MODIFIED COMPACTION TEST AND BE VERIFIED BY THE ENGINEER.
8. CONTRACTOR SHALL EXPOSE ALL WATER AND GAS MAINS PRIOR TO STORM SEWER PIPE INSTALLATION AND VERIFY TOP OF ELEVATIONS OF UTILITIES.
9. ALL SEWER CONSTRUCTION AND MATERIALS TO BE IN ACCORDANCE WITH THE METROPOLITAN ST. LOUIS SEWER DISTRICT STANDARD CONSTRUCTION SPECIFICATIONS FOR DRAINAGE FACILITIES, 2009.
10. ALL LIDS ON PUBLIC STORM SEWER STRUCTURES SHALL HAVE THE CITY OF OFALLON LOGO PER CITY REQUIREMENTS.

SPECIAL NOTE TO CONTRACTOR(S):

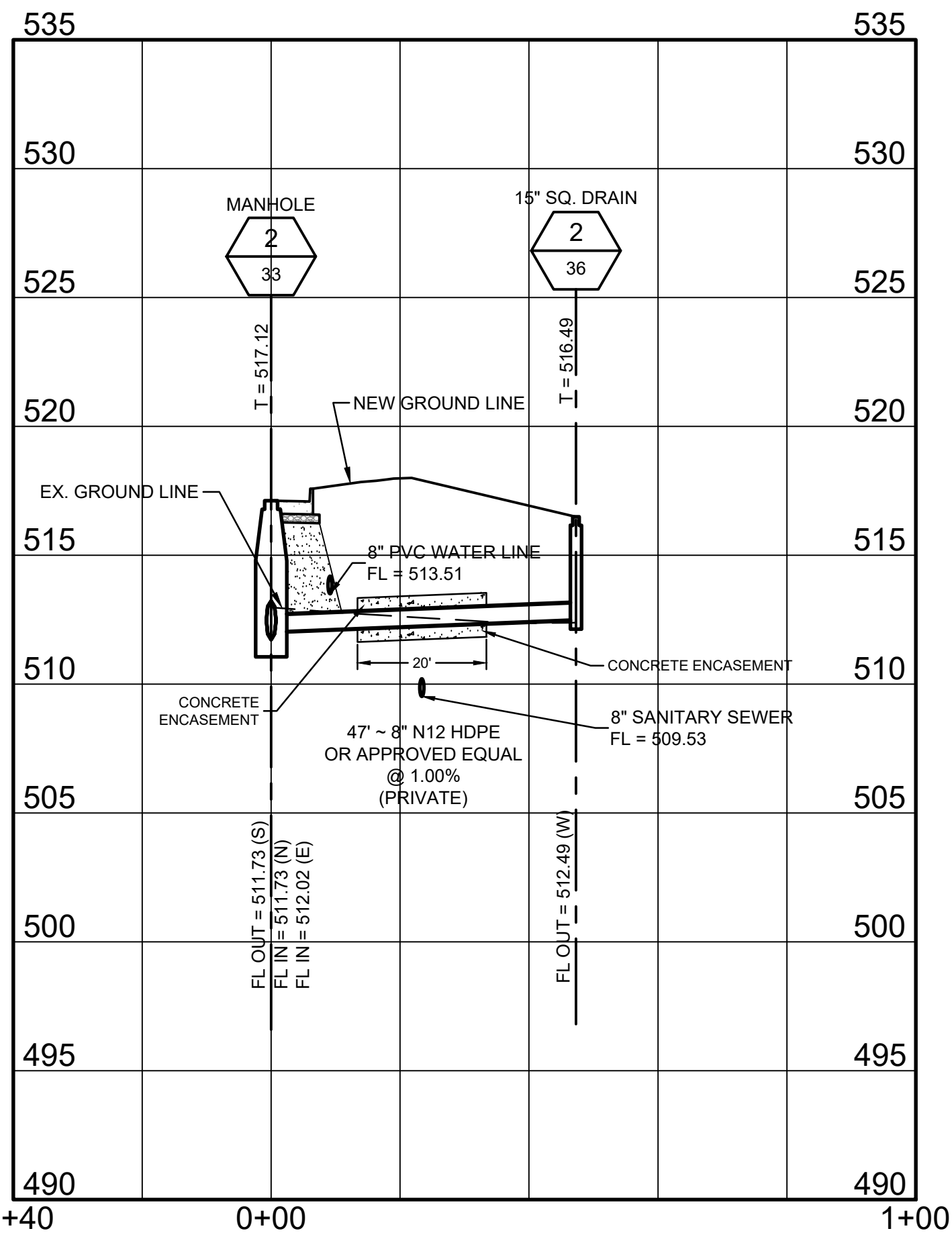
EXISTING UNDERGROUND AND ABOVE-GRADE FACILITIES, STRUCTURES, AND UTILITIES HAVE BEEN PLOTTED ON THESE CONTRACT DOCUMENTS BASED ON THE INFORMATION AND SURVEYS AVAILABLE AT THE TIME OF DRAWING PREPARATION. THE LOCATIONS OF THESE FEATURES MUST, THEREFORE, BE CONSIDERED APPROXIMATE, ONLY. IN ADDITION, THERE MAY BE OTHER FACILITIES, STRUCTURES, AND UTILITIES WHICH DID NOT EXIST (OR THE EXISTENCE OF WHICH WAS NOT KNOWN) AT THE TIME OF DRAWING PREPARATION. IT IS THE SOLE RESPONSIBILITY OF THE CONTRACTOR(S) TO HAVE ALL EXISTING FACILITIES, STRUCTURES, AND UTILITIES LOCATED IN THE FIELD PRIOR TO ANY EXCAVATION OR CONSTRUCTION ACTIVITY, AND TO PROTECT ALL SUCH EXISTING FEATURES (EXCEPT THOSE SPECIFICALLY NOTED FOR REMOVAL OR DEMOLITION) DURING CONSTRUCTION.

PRINTS ISSUED
 05/11/18 - Permit Set
 REVISIONS:

HORNER SHIFRIN
 101 LAURA V. DR., STE. 101 OFALLON, MO 63366-2991
 636-329-2936 • FAX 636-329-2910 • WWW.HORNERSHIFRIN.COM
 DISCIPLINE: PROFESSIONAL ENGINEERING
 CERTIFICATE OF AUTHORITY: 000159
 EXPIRATION DATE: DECEMBER 31, 2018

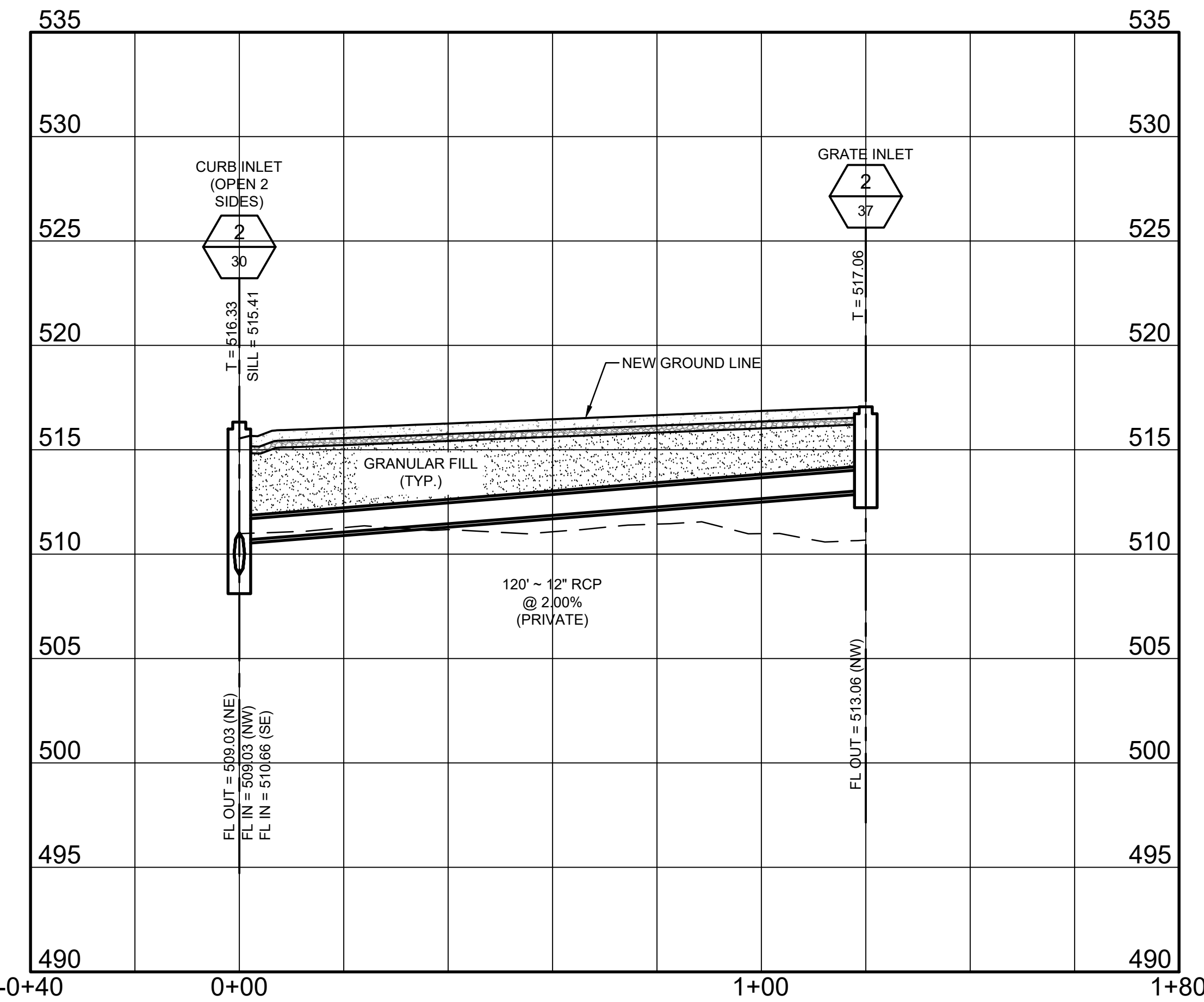


Name: April Geismann
 Discipline: Civil Engineer
 License No. E-2001004592
 Expiration Date: 12/31/2019



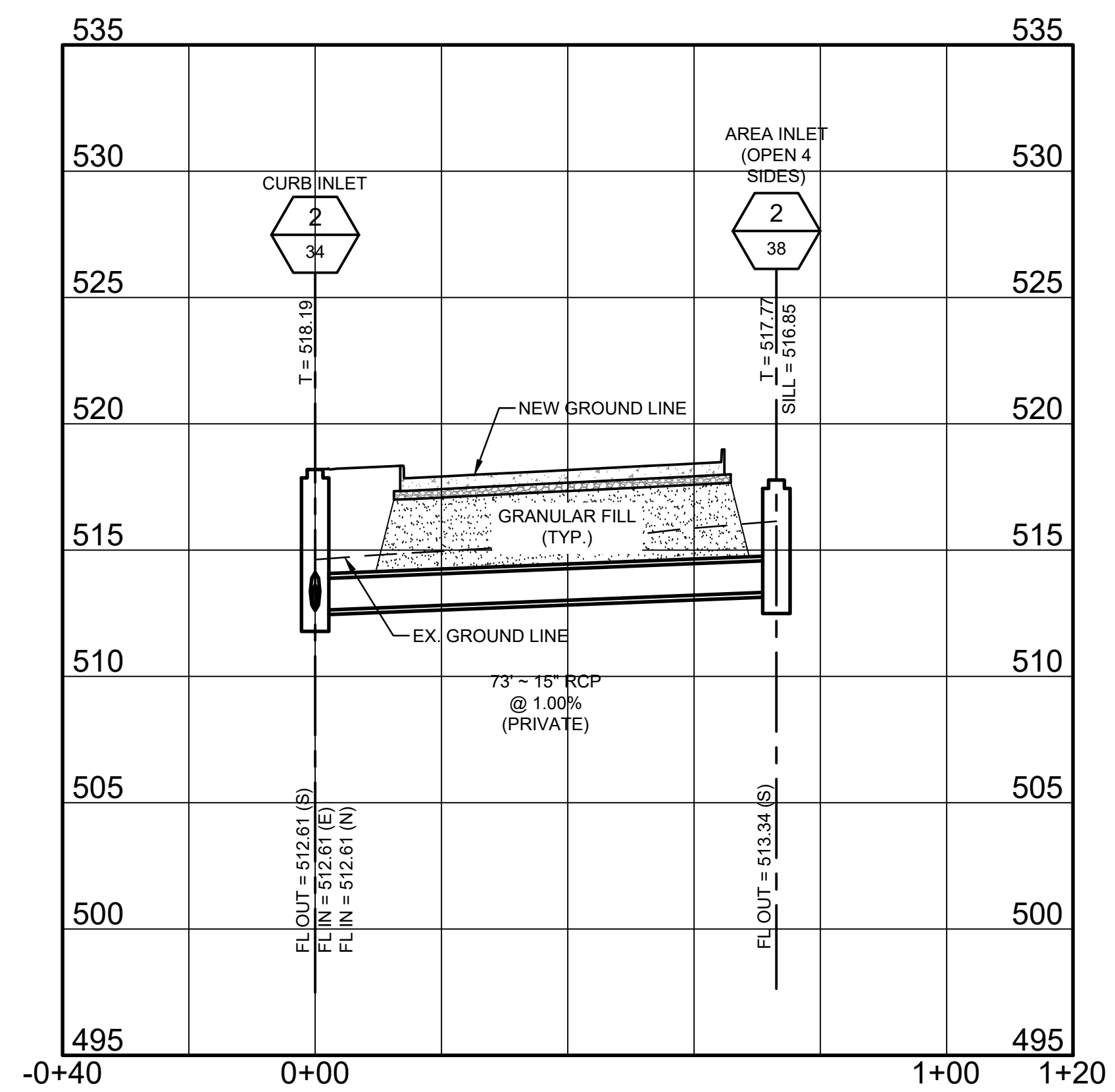
STORM SEWER PROFILES

SCALES:
 1" = 20' HORIZONTAL
 1" = 5' VERTICAL



STORM SEWER PROFILES

SCALES:
 1" = 20' HORIZONTAL
 1" = 5' VERTICAL



STORM SEWER PROFILES

SCALES:
 1" = 20' HORIZONTAL
 1" = 5' VERTICAL

Call Before you DIG
 TOLL FREE
 1-800-344-7483
 MISSOURI ONE-CALL SYSTEM INC.
 MODOT (314) 340-4100

RENEW OFALLON
 T.R. HUGHES BLVD
 OFALLON, MO 63366

SHEET TITLE: STORM SEWER PROFILES
 PROJECT NUMBER: 17050
 SHEET NUMBER:

C7.4

DRAWN BY: AMH CHECKED BY: AMG

DWG: C:\pwworkspace\shifrin\17050\Storm Sewer Profiles.dwg
 CTR: Trans-st.cdr
 PLOT DATE: 6/25/2018 10:10:14 AM
 OPERATOR: AMHARRISON