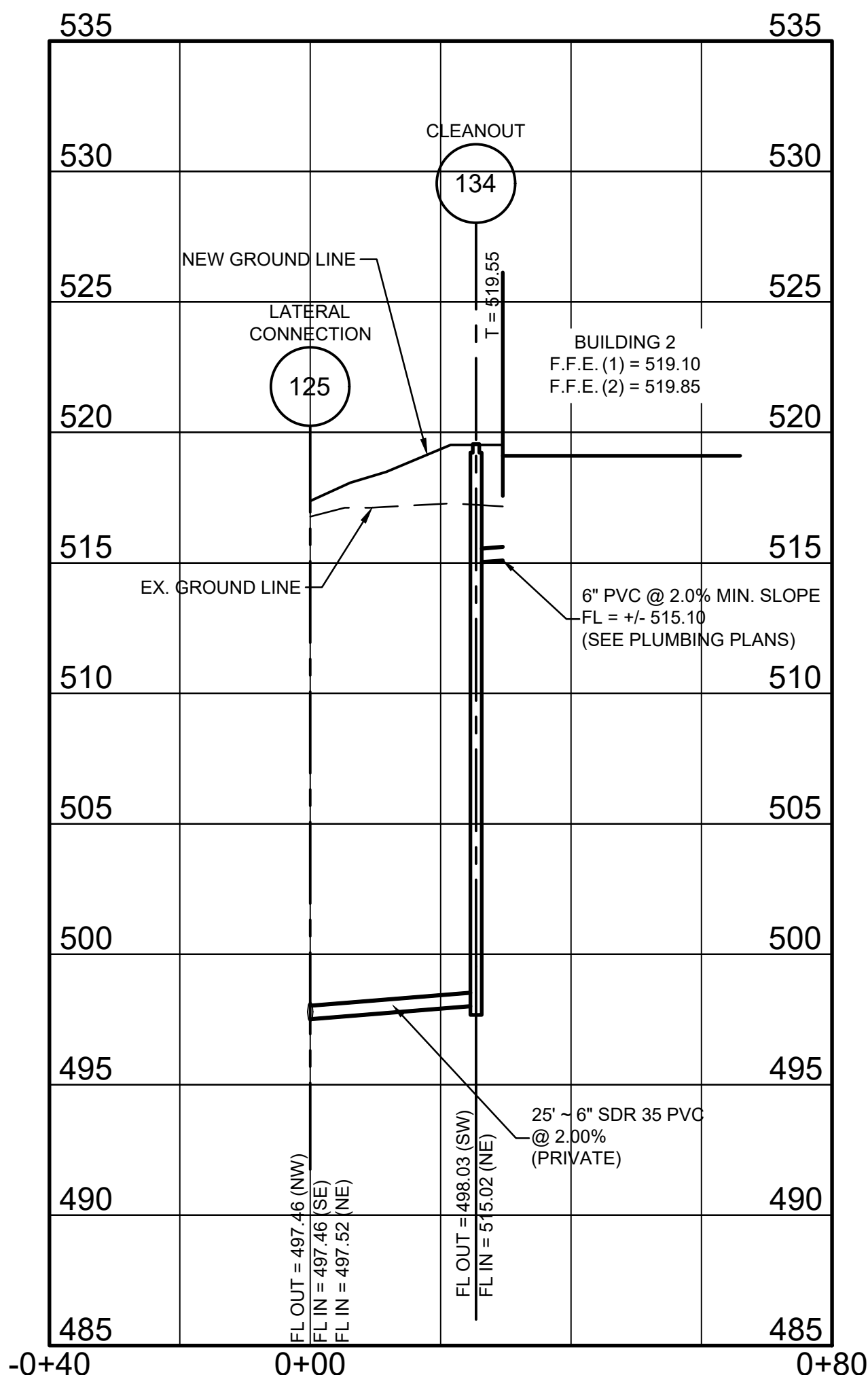


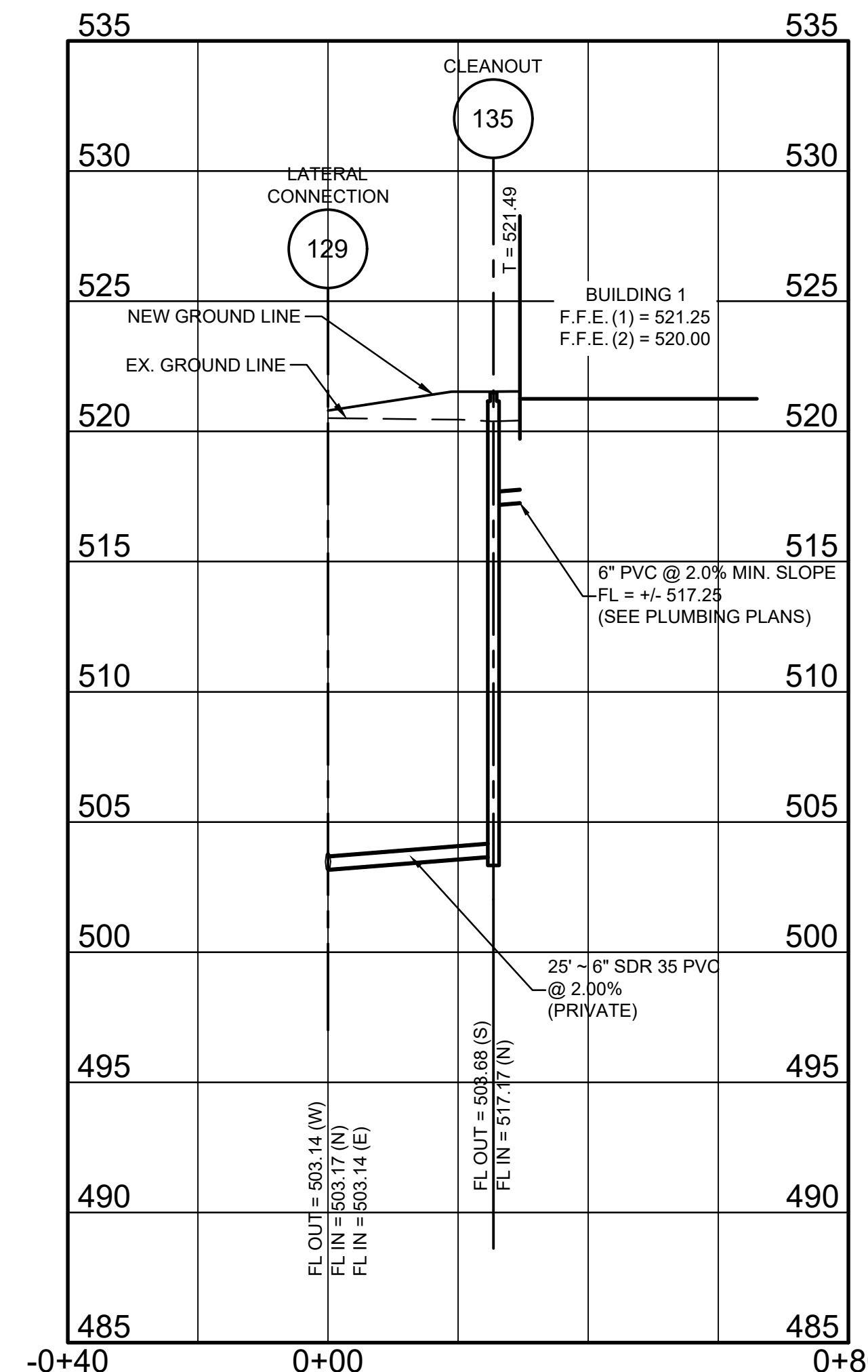
SANITARY SEWER PROFILE

SCALES:
1" = 20' HORIZONTAL
1" = 5' VERTICAL



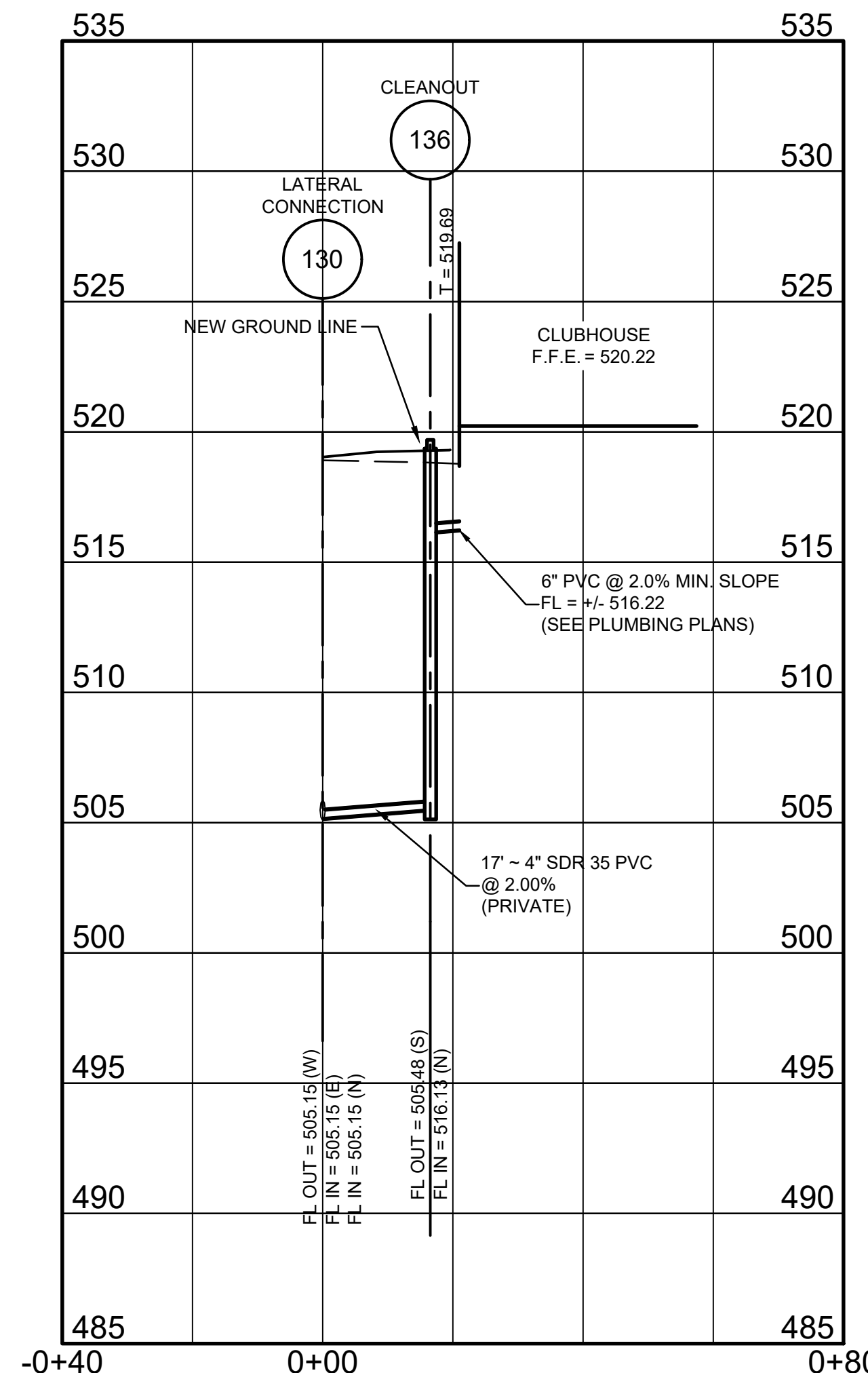
SANITARY SEWER PROFILE

SCALES:
1" = 20' HORIZONTAL
1" = 5' VERTICAL



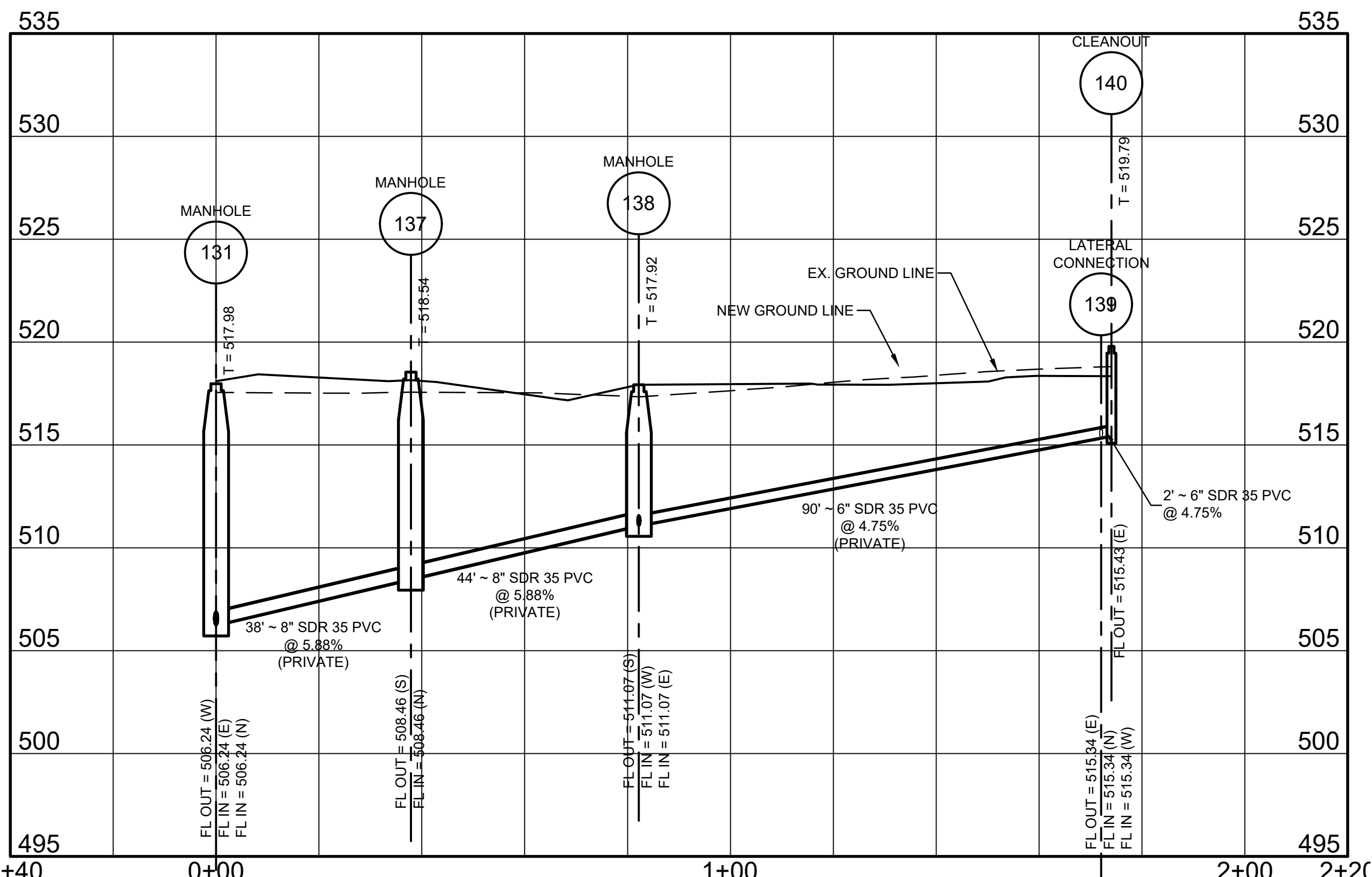
SANITARY SEWER PROFILE

SCALES:
1" = 20' HORIZONTAL
1" = 5' VERTICAL



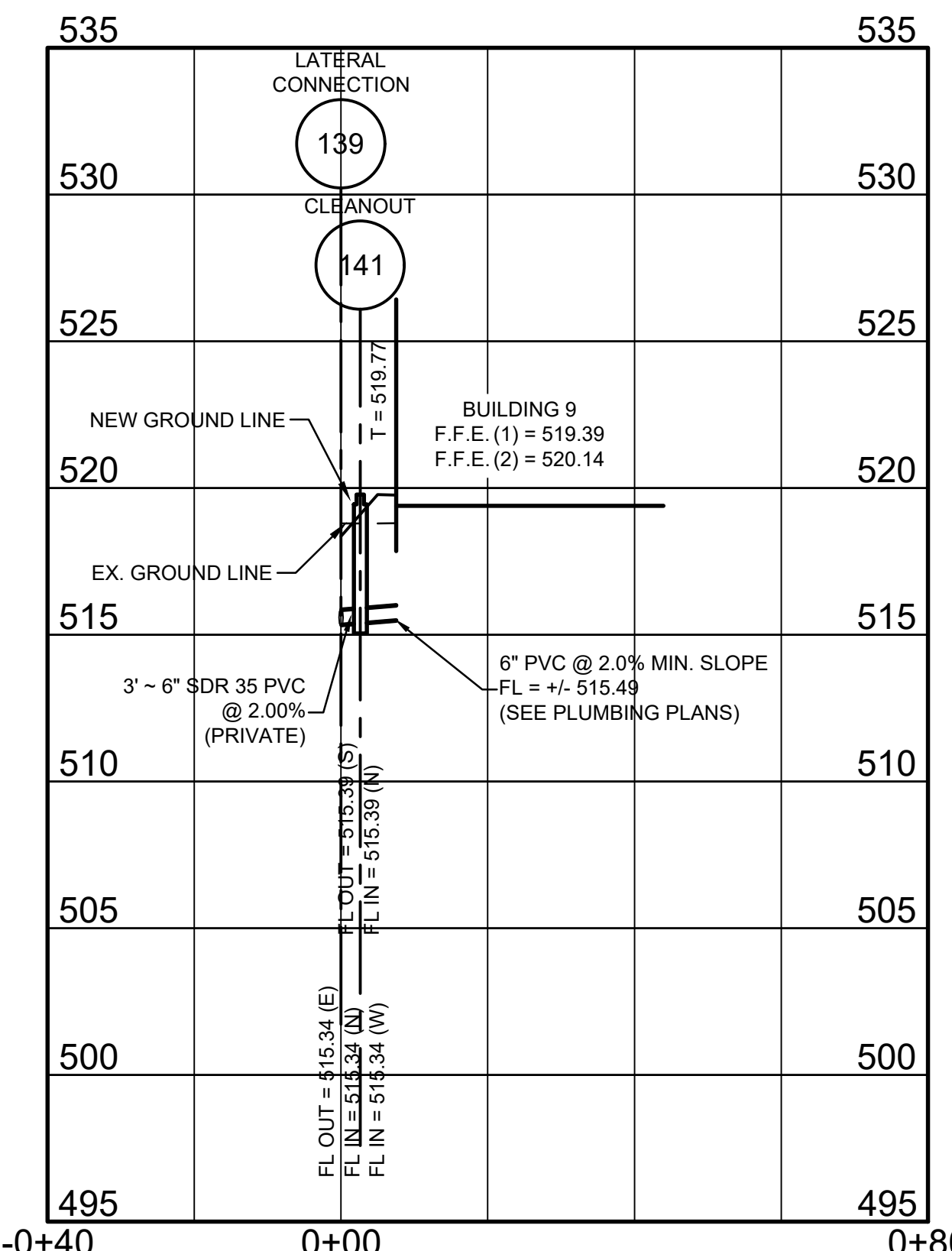
SANITARY SEWER PROFILE

SCALES:
1" = 20' HORIZONTAL
1" = 5' VERTICAL



SANITARY SEWER PROFILE

SCALES:
1" = 20' HORIZONTAL
1" = 5' VERTICAL



SANITARY SEWER PROFILE

SCALES:
1" = 20' HORIZONTAL
1" = 5' VERTICAL

GENERAL NOTES:

1. T = TOP OF MANHOLE CASTING OR INLET STONE.
2. ALL SANITARY SEWER PIPE TO BE SDR 35 PVC OR APPROVED EQUAL.
3. ALL SANITARY SEWER THAT IS 6" IS TO BE SCHEDULE 40 PVC PIPE. SEWERS THAT ARE 8" OR LARGER MAY BE SCHEDULE 35 PVC.
4. CONTRACTOR TO PROVIDE COMPACTED GRANULAR BACKFILL TO THE SUBGRADE OF THE PAVEMENT FOR ALL TRENCHES UNDER PAVEMENT.
5. PIPE CENTERLINE APPLIES TO CENTERLINE OF STRUCTURE.
6. LOCATION OF UTILITIES ON PIPE PROFILES ARE APPROXIMATE.
7. DISTANCES BETWEEN STRUCTURES ARE MEASURED TO THE CENTER OF THE STRUCTURES.
8. FILL MATERIAL UPON WHICH THE PROPOSED SEWERS ARE TO BE LAID SHALL BE COMPACTED TO 90% OF MAXIMUM DENSITY AS DETERMINED BY ASTM D-1557-1-80 AASHTO MODIFIED COMPACTION TEST AND BE VERIFIED BY THE ENGINEER.
9. CONTRACTOR SHALL EXPOSE ALL WATER AND GAS MAINS PRIOR TO SANITARY SEWER PIPE INSTALLATION AND VERIFY TOP OF ELEVATIONS OF UTILITIES.
10. ALL SEWER CONSTRUCTION AND MATERIALS TO BE IN ACCORDANCE WITH THE METROPOLITAN ST. LOUIS SEWER DISTRICT STANDARD CONSTRUCTION SPECIFICATIONS FOR DRAINAGE FACILITIES, 2009.
11. WHEN THE WATER LINES CROSS THE SANITARY SEWER, A MINIMUM SEPARATION OF 18" SHALL BE MAINTAINED BETWEEN WATER LINE AND SANITARY SEWER.

SPECIAL NOTE TO CONTRACTOR(S):

EXISTING UNDERGROUND AND ABOVE-GRADE FACILITIES, STRUCTURES, AND UTILITIES HAVE BEEN PLOTTED ON THESE CONTRACT DOCUMENTS BASED ON THE INFORMATION AND SURVEYS AVAILABLE AT THE TIME OF DRAWING PREPARATION. THE LOCATIONS OF THESE FEATURES MUST, THEREFORE, BE CONSIDERED APPROXIMATE, ONLY. IN ADDITION, THERE MAY BE OTHER FACILITIES, STRUCTURES, AND UTILITIES WHICH DID NOT EXIST (OR THE EXISTENCE OF WHICH WAS NOT KNOWN) AT THE TIME OF DRAWING PREPARATION. IT IS THE SOLE RESPONSIBILITY OF THE CONTRACTOR(S) TO HAVE ALL EXISTING FACILITIES, STRUCTURES, AND UTILITIES LOCATED IN THE FIELD PRIOR TO ANY EXCAVATION OR CONSTRUCTION ACTIVITY, AND TO PROTECT ALL SUCH EXISTING FEATURES (EXCEPT THOSE SPECIFICALLY NOTED FOR REMOVAL OR DEMOLITION) DURING CONSTRUCTION.

Call Before you DIG
TOLL FREE
1-800-344-7483
MISSOURI ONE-CALL SYSTEM INC.
MODOT (314) 340-4100

PRINTS ISSUED
05/11/18 - Permit Set
REVISIONS:

HORNER SHIFRIN
101 LAURA V. DR., STE. 101, O'FALLON, MO 63366-3981
636-329-9296 • FAX 636-329-2910 • WWW.HORNERSHIFRIN.COM
DISCIPLINE: PROFESSIONAL ENGINEERING
CERTIFICATE OF AUTHORITY: 000769
EXPIRATION DATE: DECEMBER 31, 2018

STATE OF MISSOURI
APRIL GEISMANN
PROFESSIONAL ENGINEER
E-2001004592
7/18/18
Name: April Geismann
Discipline: Civil Engineer
License No. E-2001004592
Expiration Date: 12/31/2019

RENEW O'FALLON
T.R. HUGHES BLVD
O'FALLON, MO 63366

SHEET TITLE: SANITARY SEWER PROFILES
PROJECT NUMBER: 17050
SHEET NUMBER:

C8.5

DRAWN BY: AMH CHECKED BY: AMG

OPERATOR: AMHARRISON
 DWG: C:\pwworking\shifrin\17050\Sanitary Sewer Profiles.dwg
 PLOT DATE: 6/24/2018 1:36:58 PM
 CTR: Trans-st.cad
 SAVED DATE: 6/14/2018 7:52:52 AM