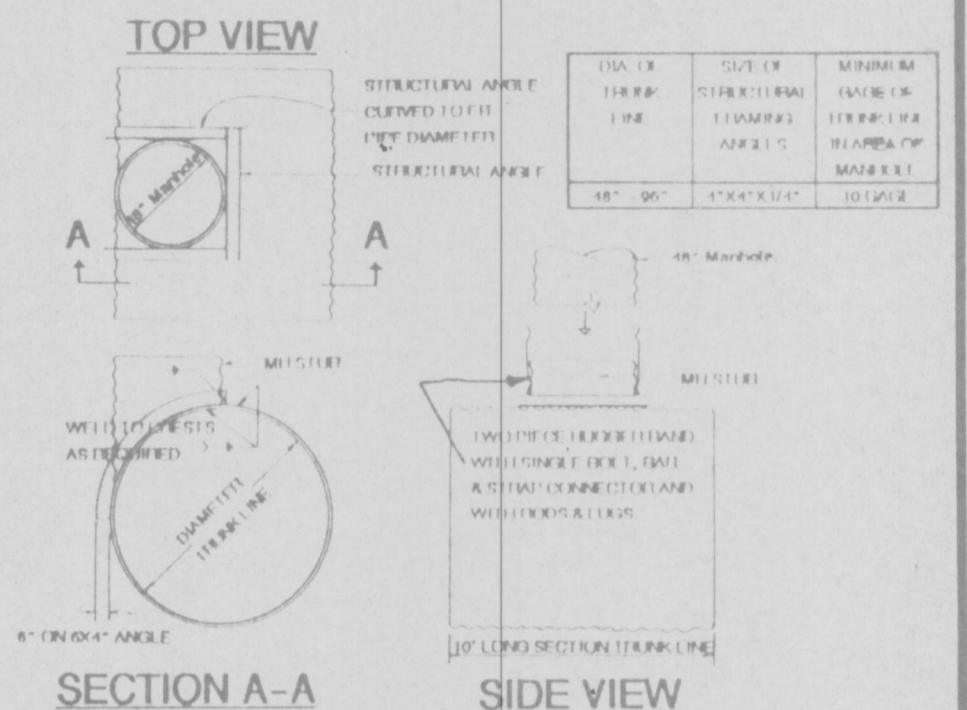


DATE JUNE 1993	
DESIGN BY GRH	
DRAWN BY JG	
PROJECT NO. 6803	
SHEET NO.	TOTAL SHEETS
7	9
BY	DATE

**ROYAL OAKS
 MISC. DETAILS
 PHASE 4A**

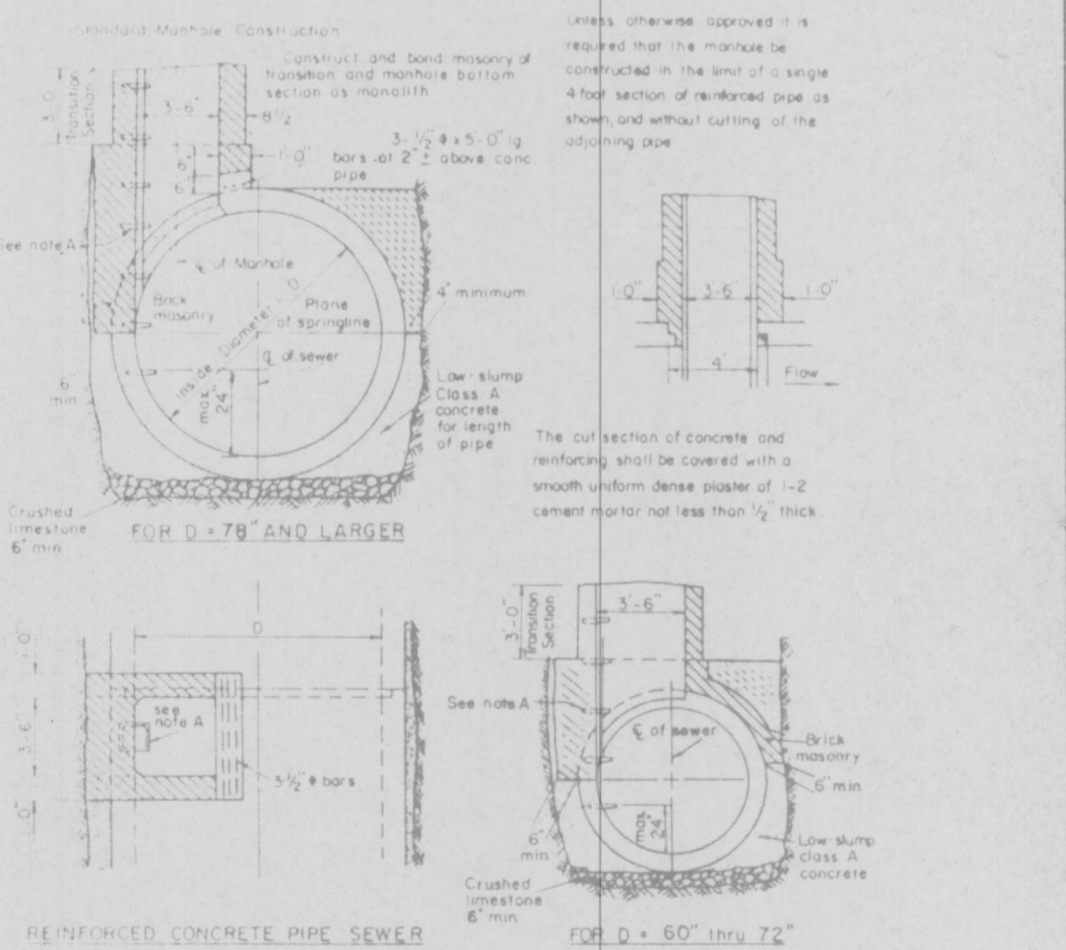
REVISIONS



CSP MANHOLE REINFORCING

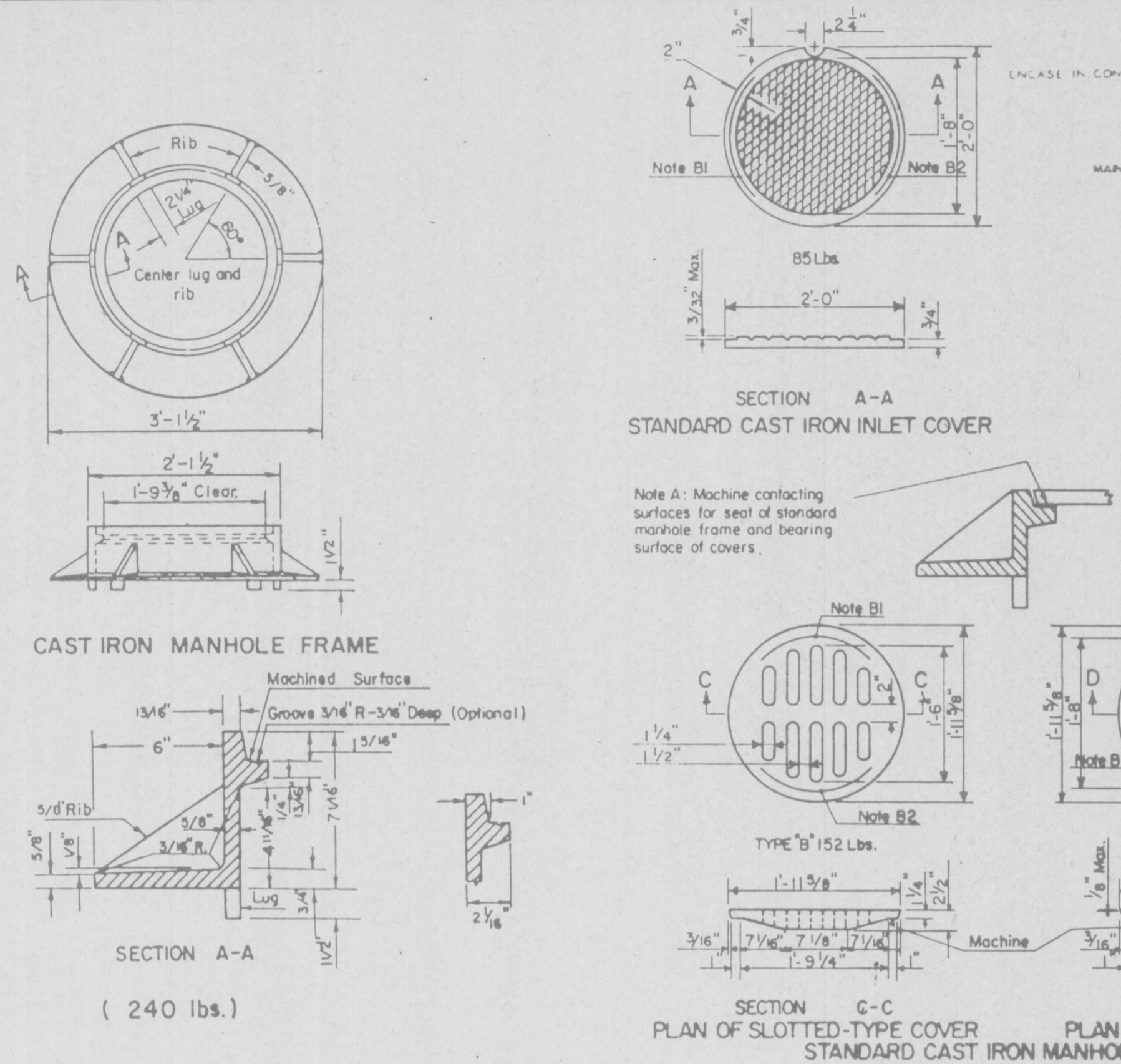
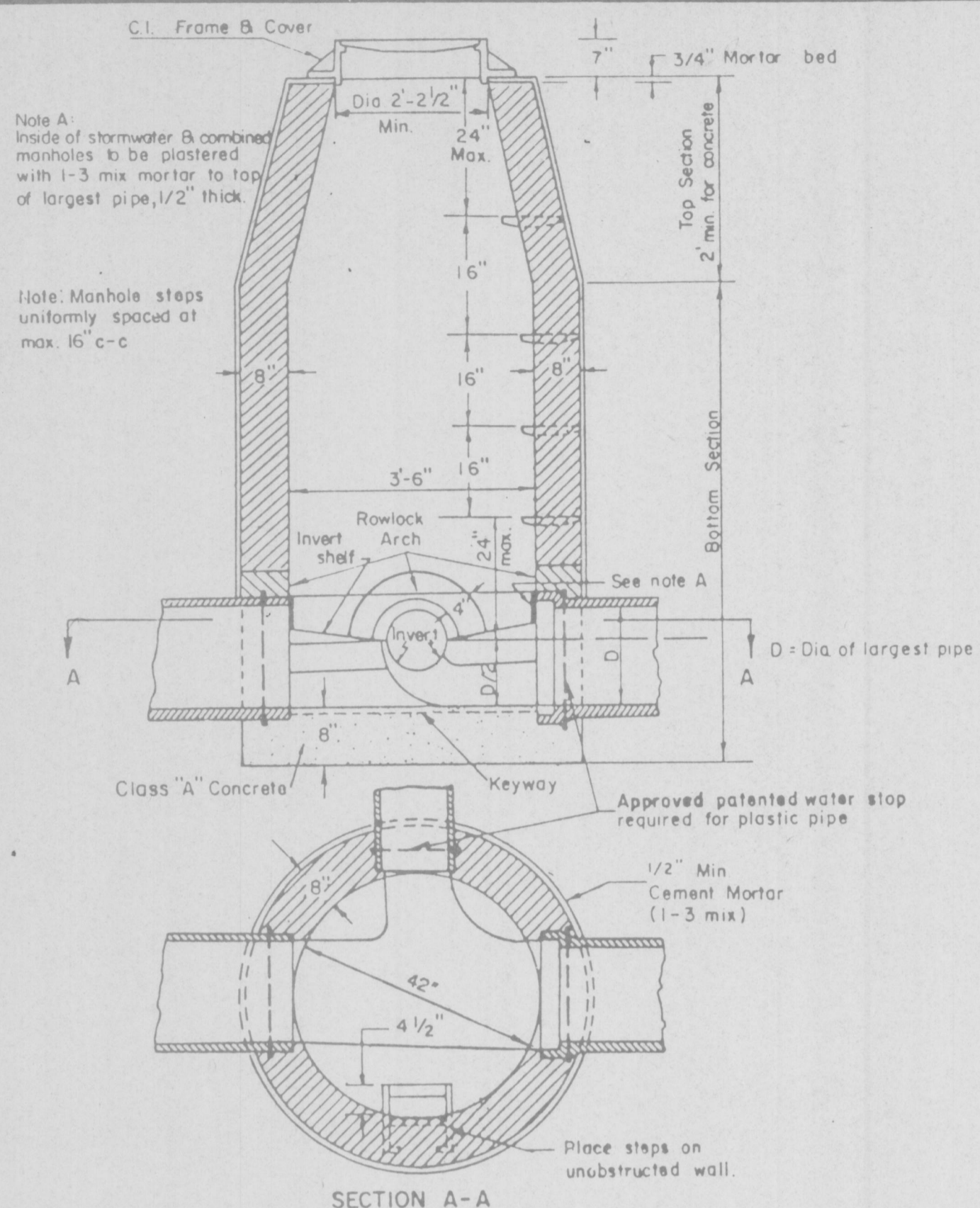
- Standard cast manhole frame and cover to be applied to cover shall be installed as per...
- Concrete cap to be under and around the load requirements and poured in place. Opening in cover to be filled to its maximum in place.
- Steps to be 2" longer than the length of the hand type required.
- Set manhole in place on back. After reworking with concrete or other bedding material, the concrete cover shall be applied to complete cover.

**MANHOLE DETAIL
 CSP 36" AND LARGER**



**TYPICAL MH BASE
 RCP SEWERS 60" & LARGER**

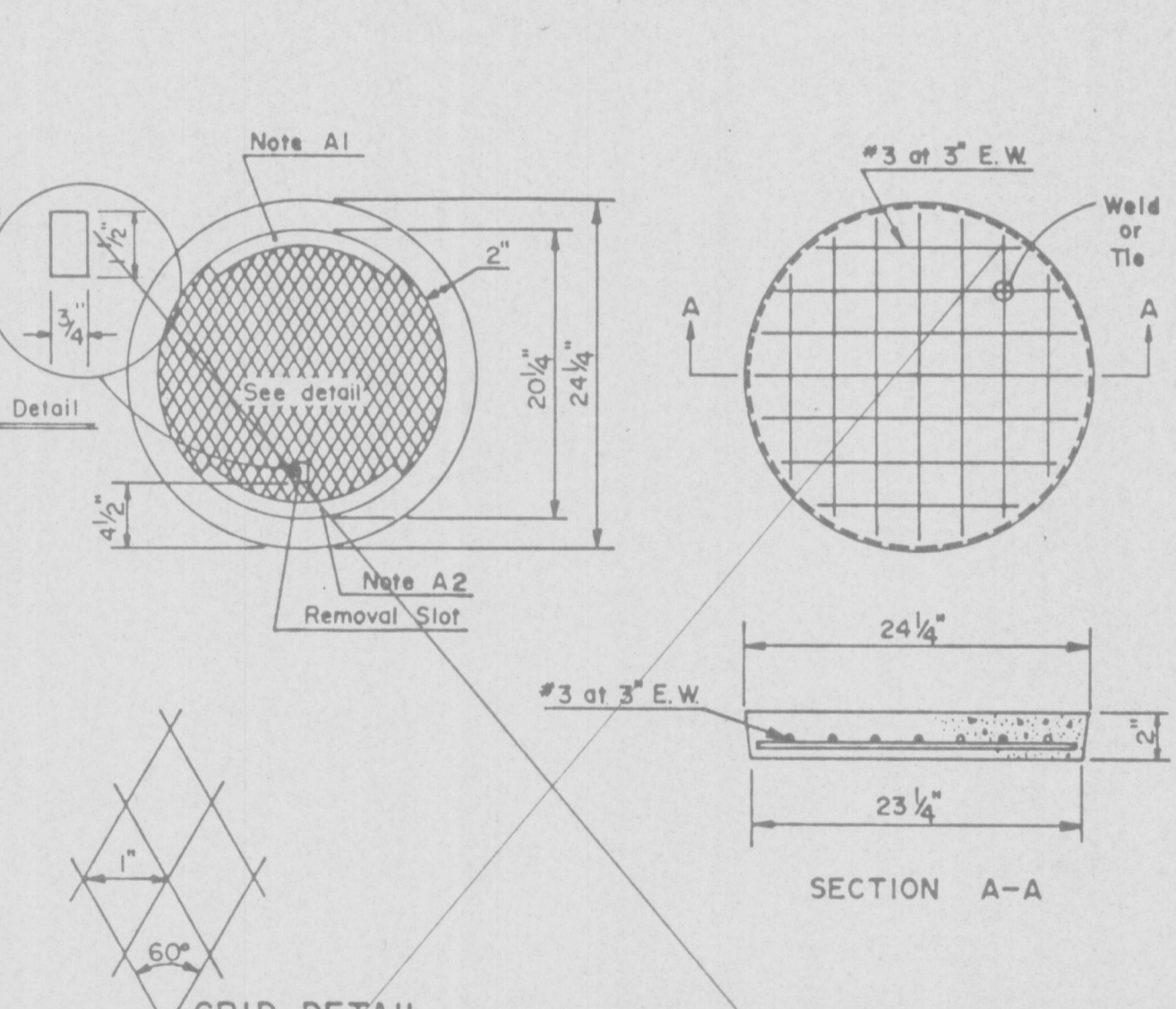
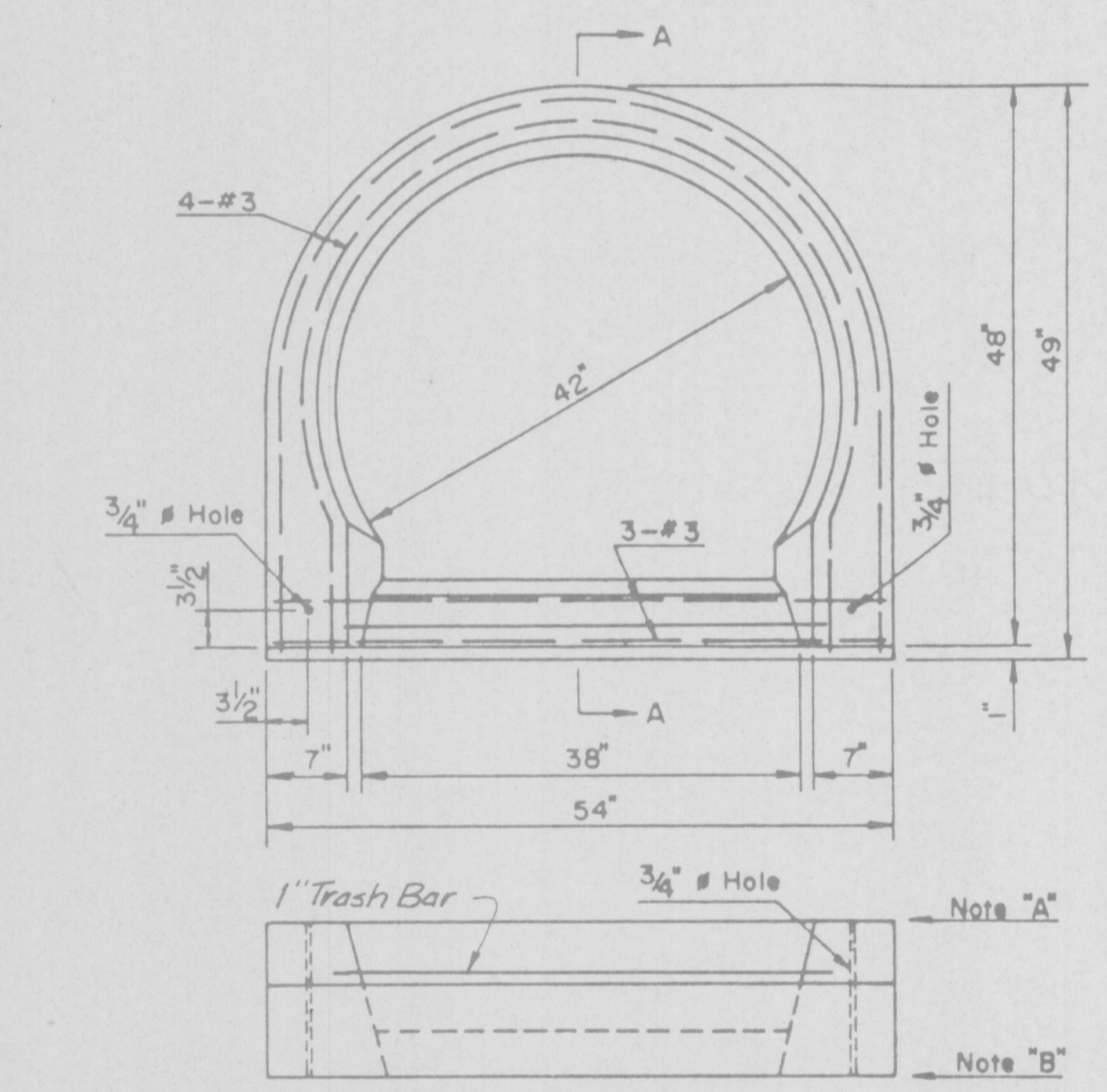
AS-BUILT J.G. 5/23/94



CAST IRON MANHOLE FRAME
 CLAY & BAILEY - NO. 2008
 NEENAH - R-1736
 DESTER - No. 1315
 CRAPP EQUAL

**CAST IRON COVERS
 MANHOLES AND INLETS
 N.T.S.**

**MANHOLE DETAIL
 N.T.S.**



- NOTES**
- Set standard inlet stone in 3/4" mortar bed and dowel with 3/8" #10 long pins and grout.
 - Raise to final grade with courses of brick and 3/4" mortar bed.
 - This unit to be used with 42" I.D., poured in place concrete or brick base.
 - 4000 P.S.I. concrete required.

- NOTES**
- Note: Provide 1/8" raised lettering approximately 3/4" to 1" high.
 A1: METRO ST. LOUIS
 A2: SEWER DIST SEWERS
 4000 P.S.I. concrete required.

**PRE-CAST CONCRETE UNIT
 FOR SINGLE CURB INLET
 N.T.S.**

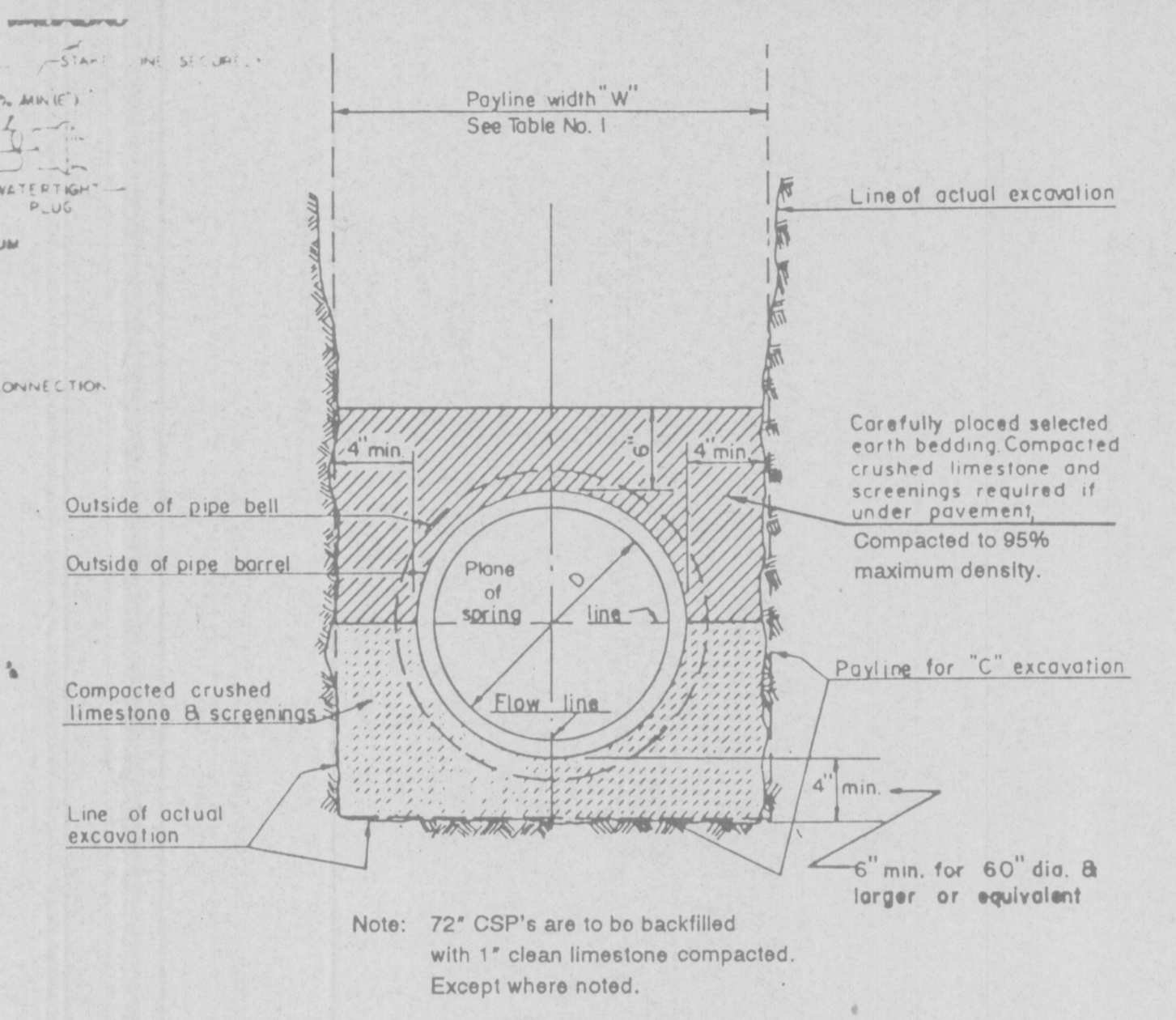
**PRE-CAST CONCRETE INLET COVER
 N.T.S.**

**FLAIRED END SECTION DETAIL
 N.T.S.**

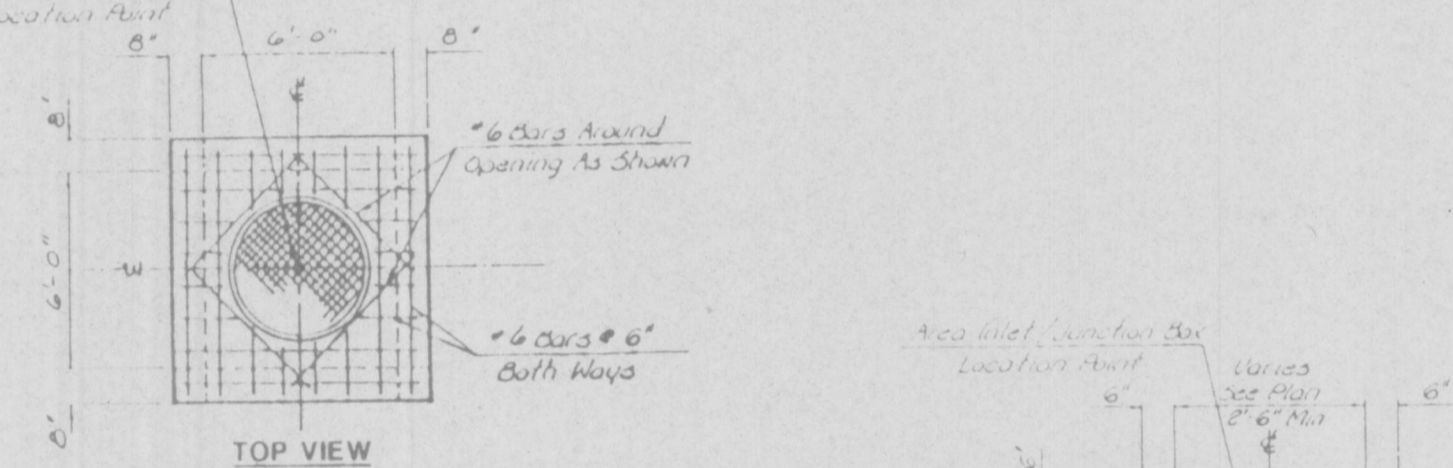
SECTION A-A

SECTION A-A

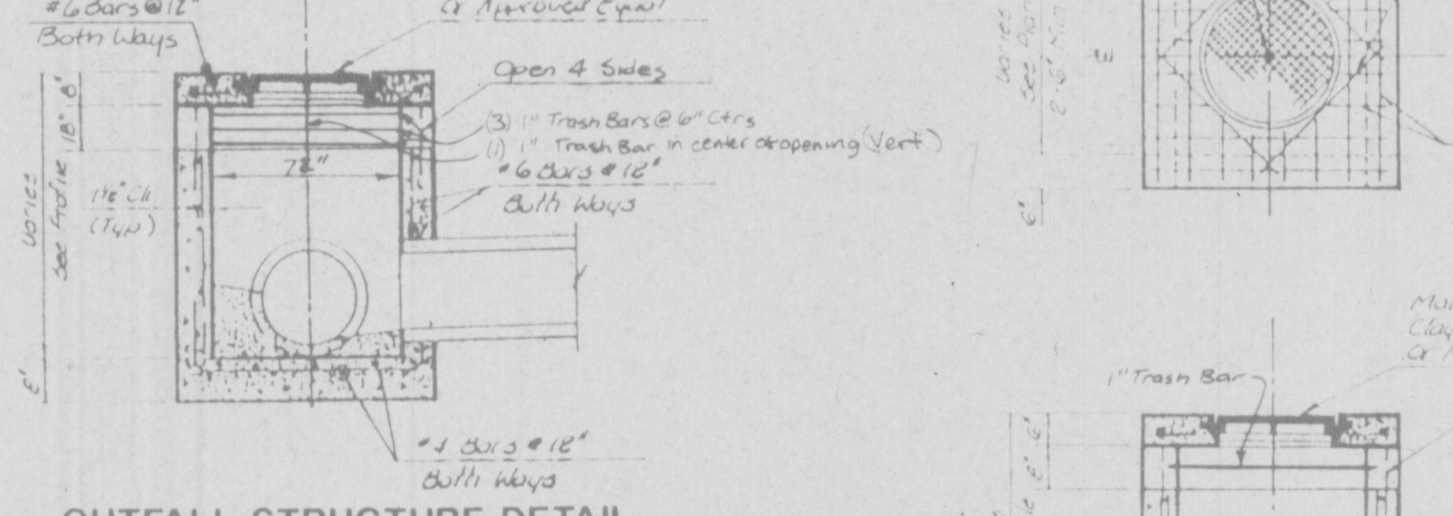
SECTION A-A



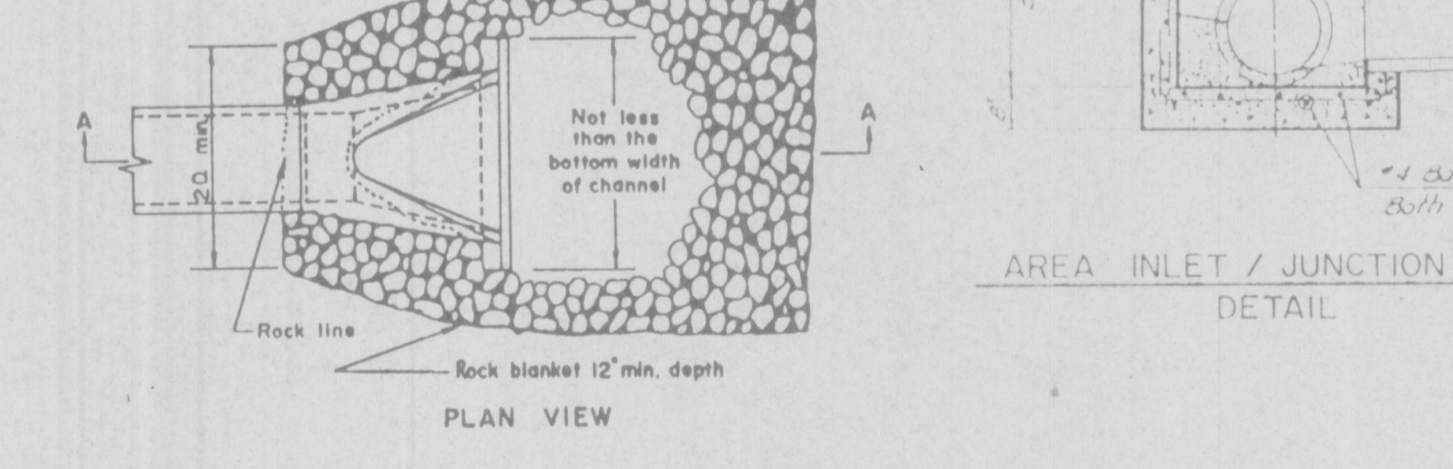
PIPE BEDDING DETAIL



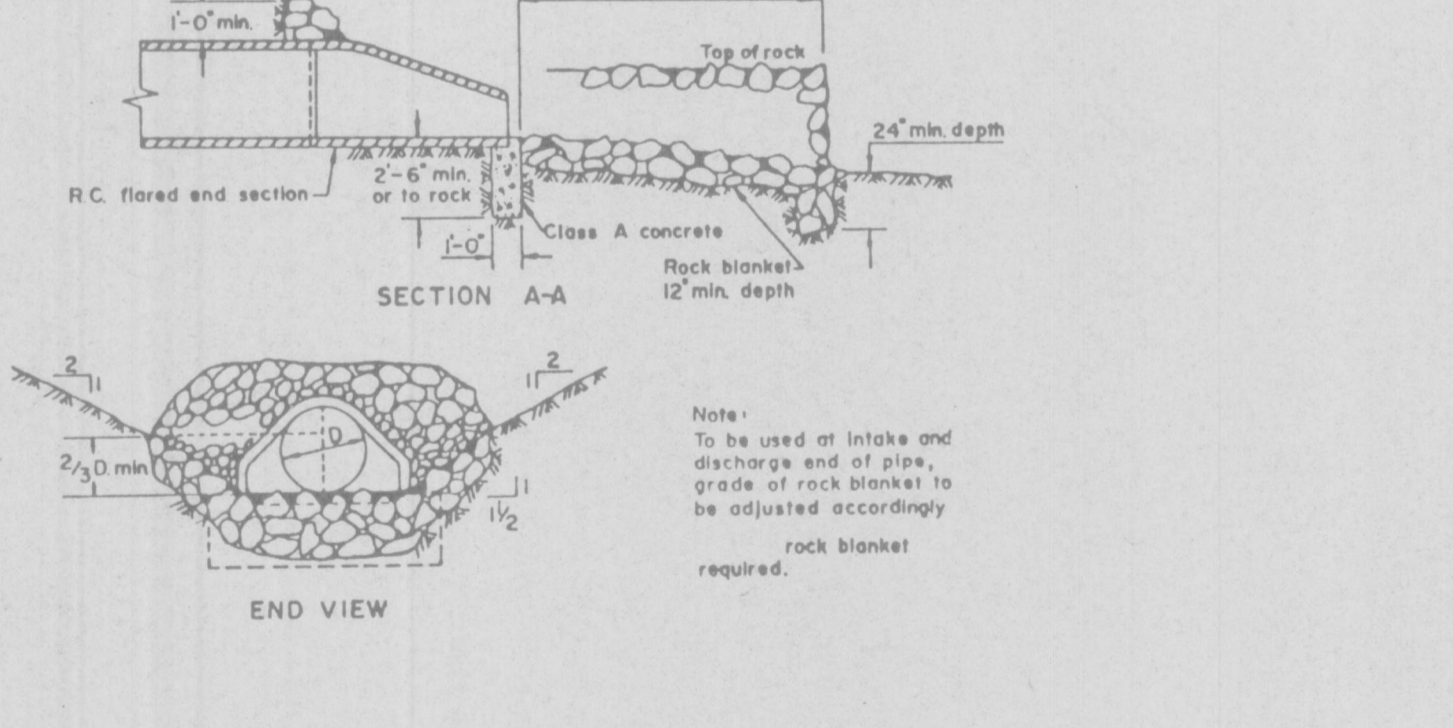
OUTFALL STRUCTURE DETAIL



**AREA INLET / JUNCTION BOX
 DETAIL**



**FLAIRED END SECTION DETAIL
 N.T.S.**



**TYPICAL MH BASE
 RCP SEWERS 60" & LARGER**

AS-BUILT J.G. 5/23/94