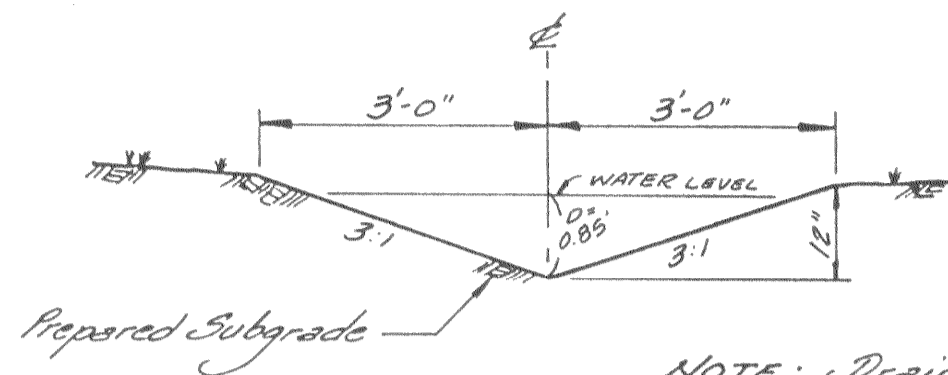


**SWALE CALCULATION @ A.I. 175**  
**GRASS SWALE:**  
 $n = 0.025$   
 $Q = 6.86 \text{ cfs (Desired } Q)$   
 $Q_{CAP} = 7.03 \text{ cfs}$   
 $A = 2.17 \text{ sq. ft.}$   
 $WP = 5.38 \text{ ft.}$   
 $V = 3.24 \text{ fps}$   
 $D = 0.85 \text{ ft.}$   
 $S = 0.01144$

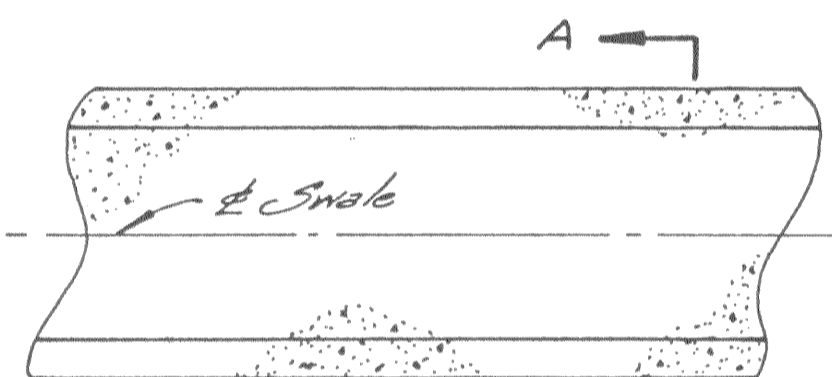
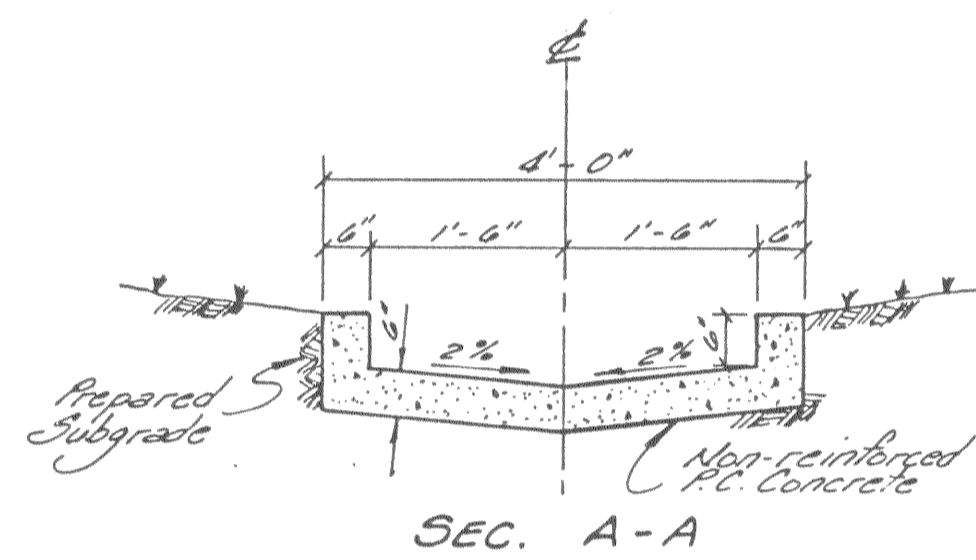
**SWALE CALCULATION FOR**  
**TYPICAL GRASS SWALE:**  
 $n = 0.025$   
 $Q = 3.00 \text{ cfs (Desired } Q)$   
 $Q_{CAP} = 3.03 \text{ cfs}$   
 $A = 1.15 \text{ sq. ft.}$   
 $WP = 3.92 \text{ ft.}$   
 $V = 2.63 \text{ fps}$   
 $D = 0.62 \text{ ft.}$   
 $S = 0.01144$



NOTE: Drainage Swales shall be sighted unless otherwise noted on the plans.

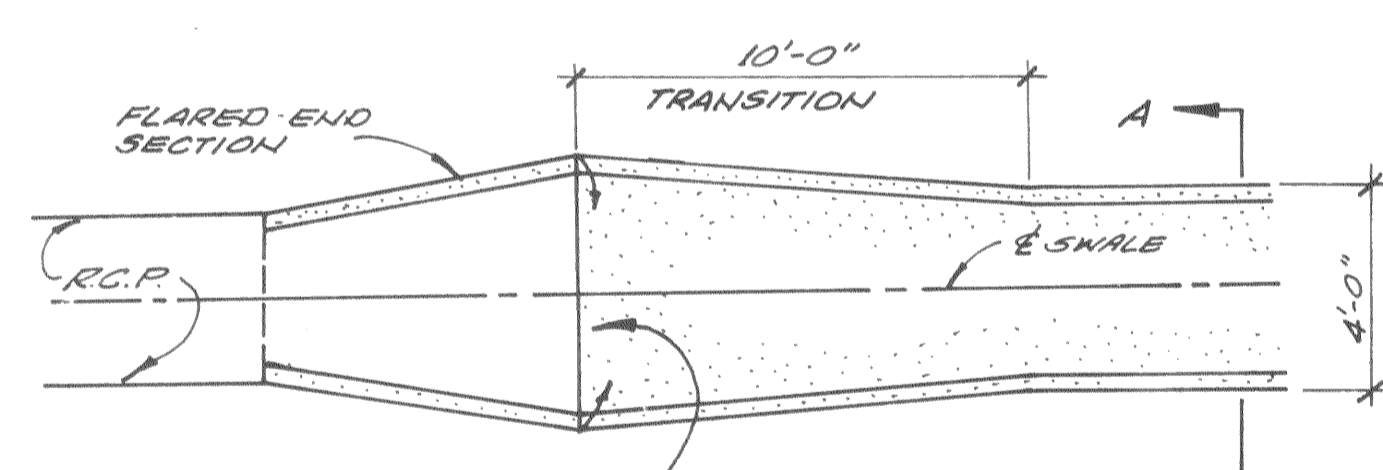
**SWALE - TYPICAL SECTION**

N.T.S.



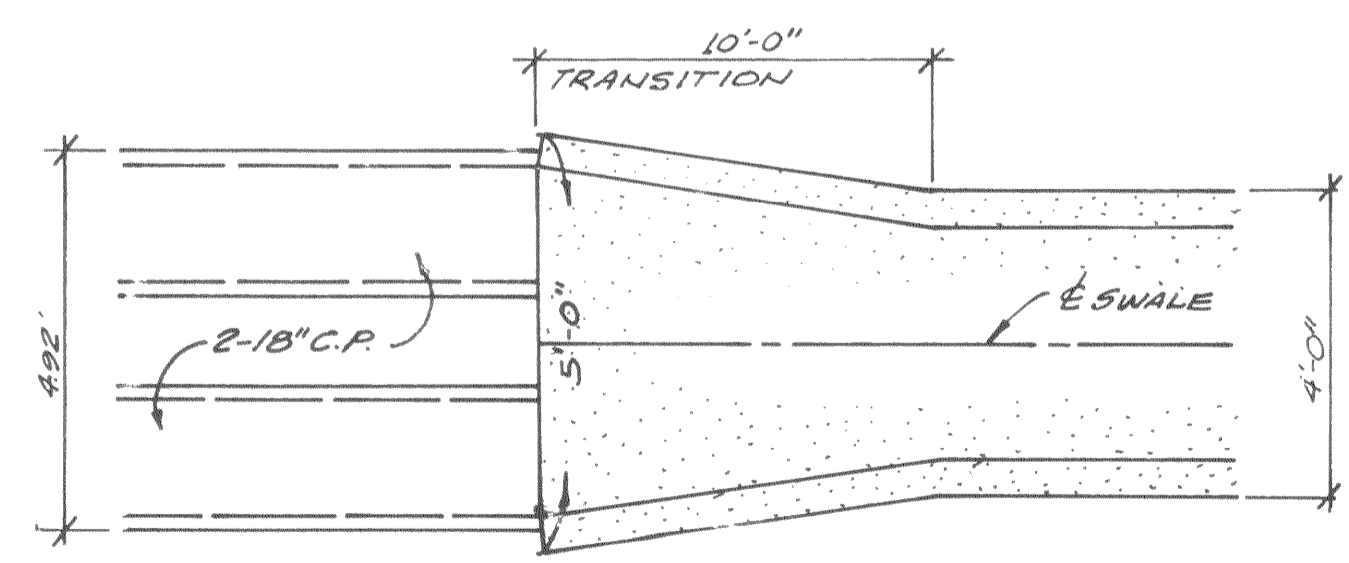
**CONCRETE SWALE**

Not to Scale



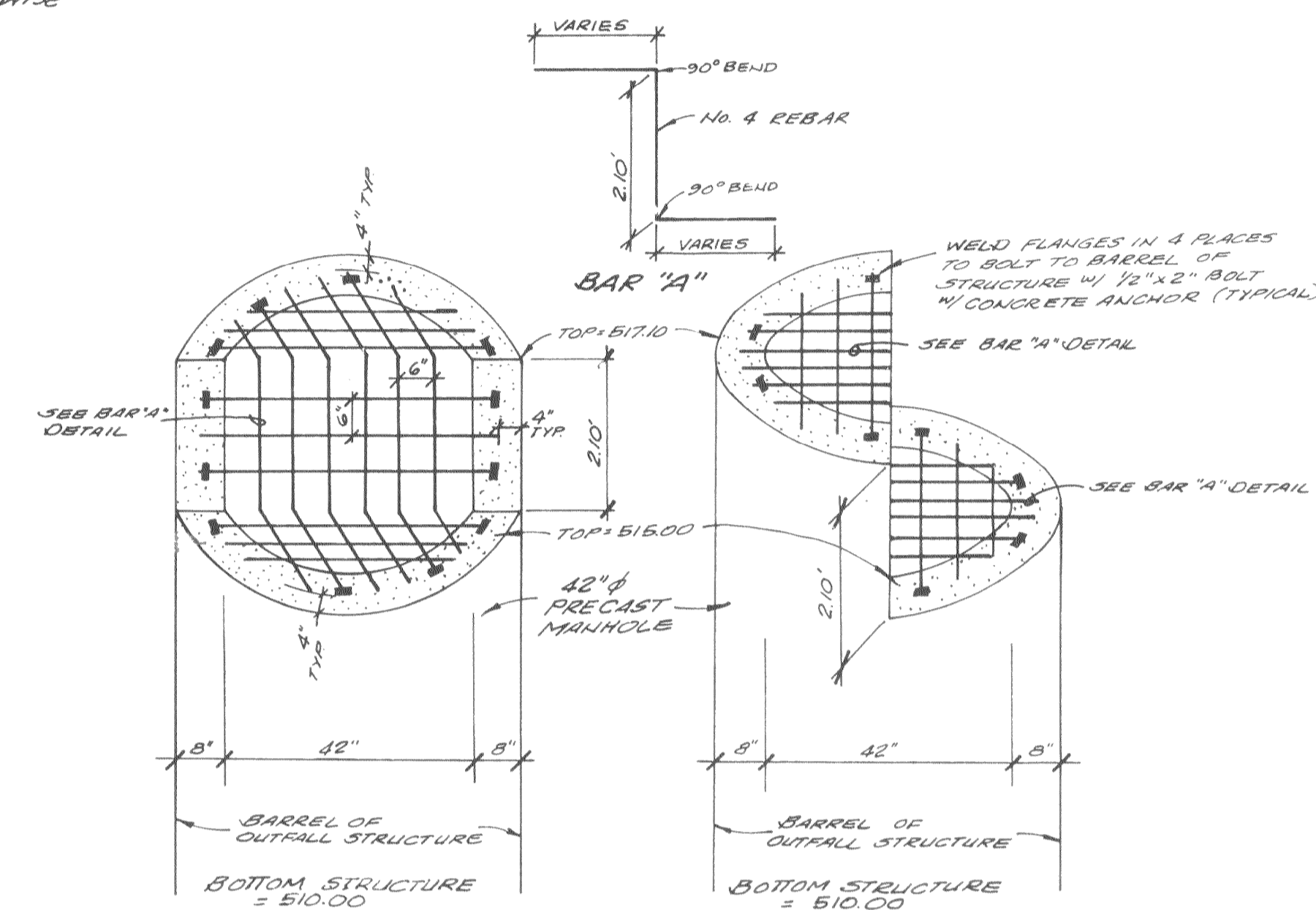
**CONCRETE SWALE TRANSITION DETAIL**

Not to Scale  
(AT FES 139 AND FES 163)



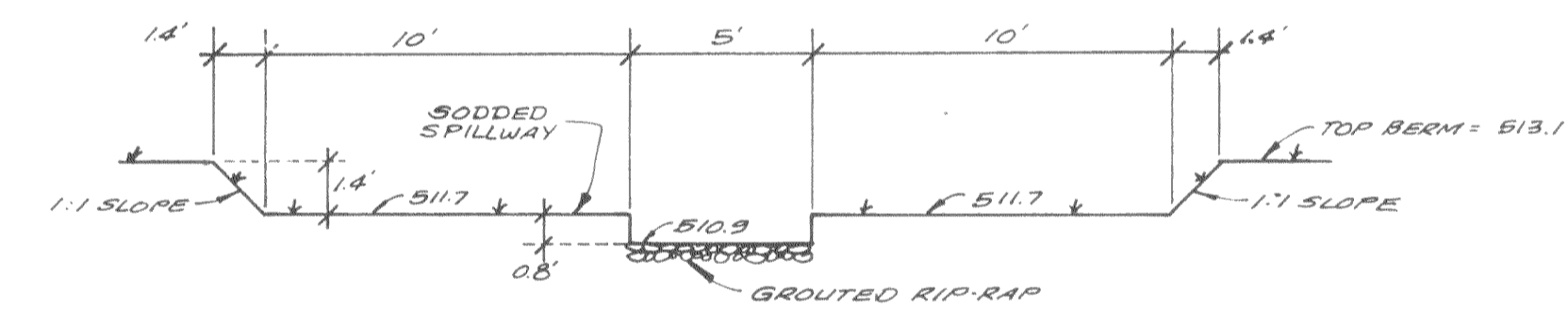
**CONCRETE SWALE TRANSITION DETAIL**

Not to Scale  
(AT EP 162)



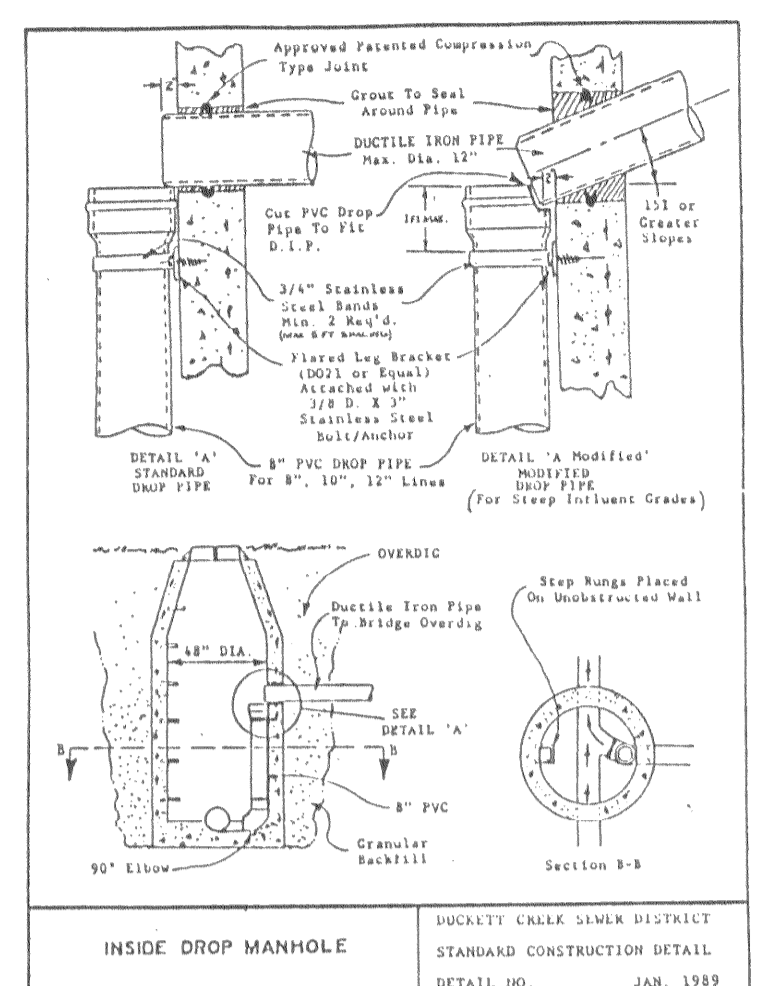
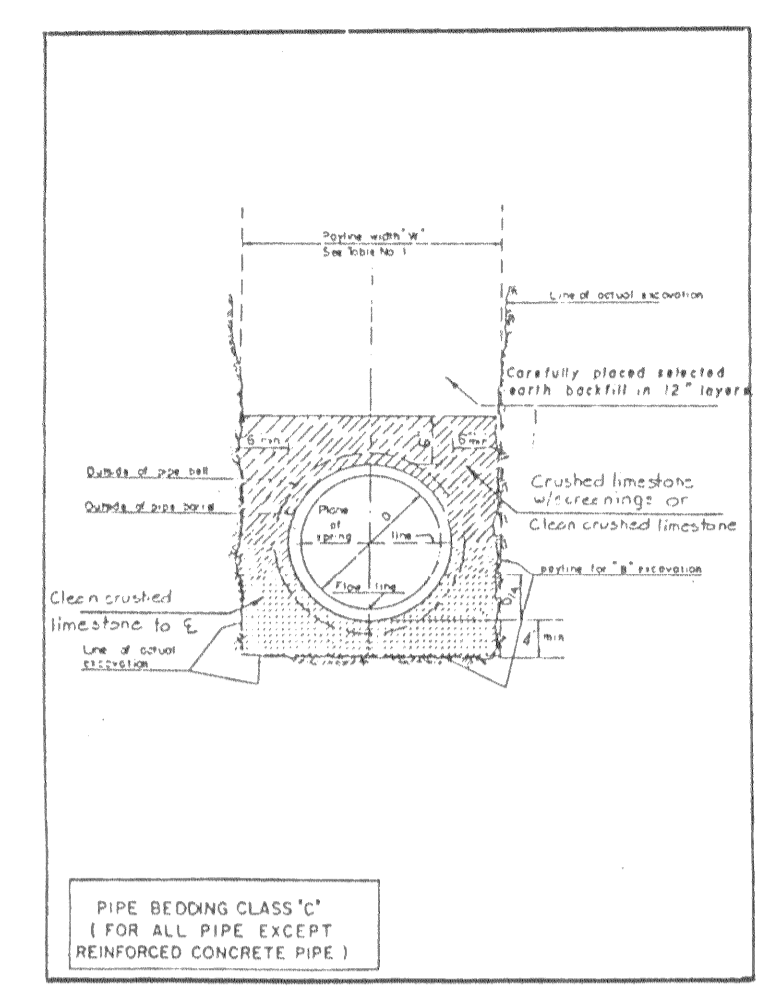
**OUTFALL STRUCTURE 103 AND DEBRIS RACK DETAIL**

N.T.S.

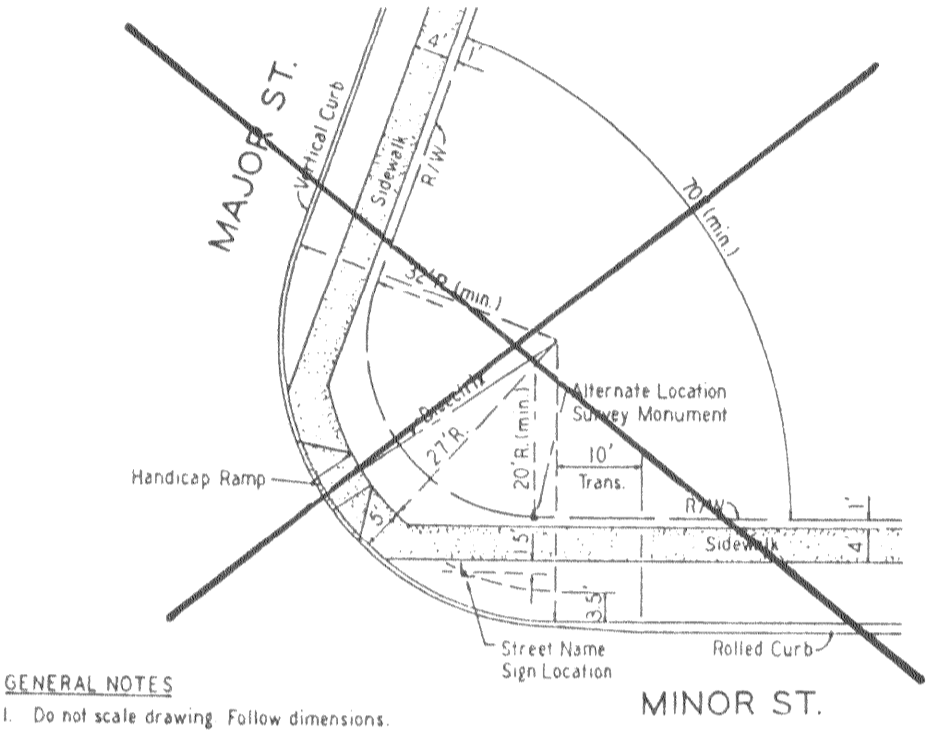
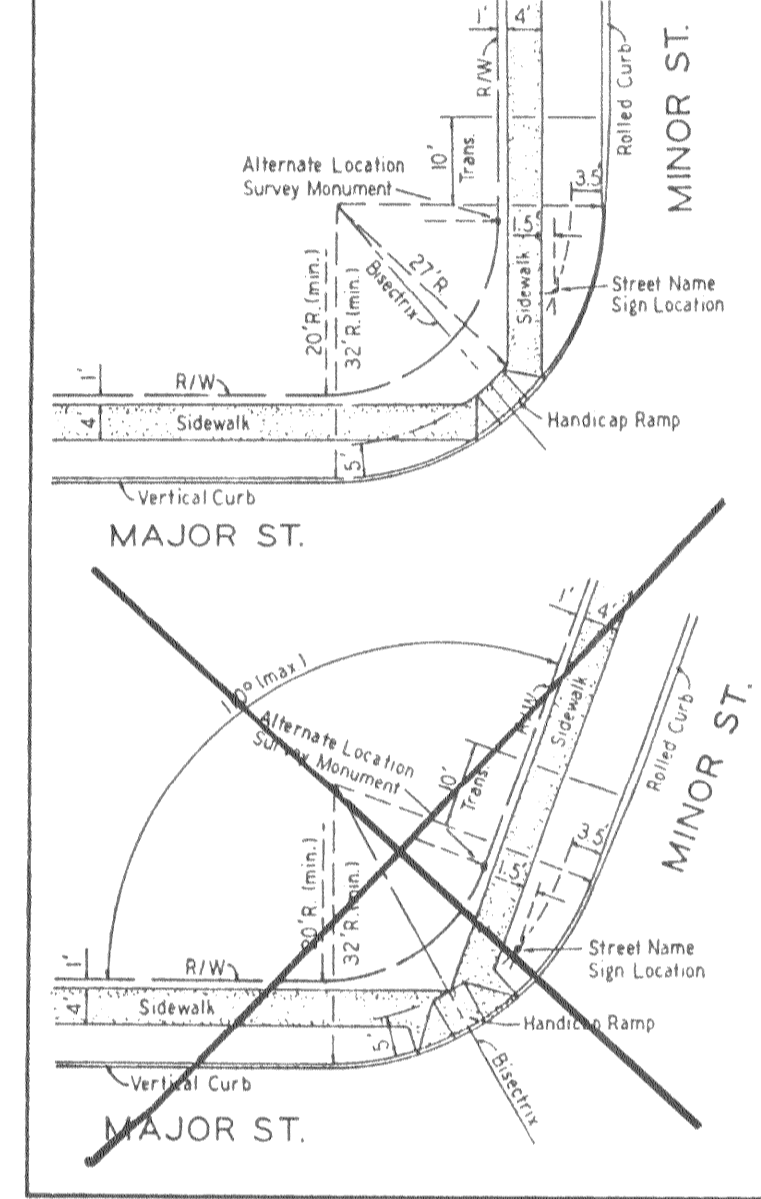


**SPILLWAY DETAIL @ BASIN "C"**

N.T.S.



NEW	REVISIONS
7-21	3-23 17-8-88 5-4-89 11-11-90



- GENERAL NOTES**
1. Do not scale drawing. Follow dimensions.
  2. Sidewalk thickness increases to 6" thru Private Driveways and 7" thru Commercial Driveways. See "Entrance Construction Details."
  3. Sidewalk cross slope: 0.02'/ft.
  4. For sidewalk locations on Cui-de-Sacs see "Pavement Construction Details."
  5. For handicap ramp details refer to standard drawing C608.11 entitled "Pavement Construction Details for Concrete Sidewalk and Handicap Ramps."
  6. Street name signs shall be located on both approaching lanes of the minor street at a four-way intersection. Refer to standard drawing C903.10 entitled "Street Name Signs, Details and Locations."
  7. The contractor shall be responsible for verification of underground utilities and structures shown or not shown prior to the placement of sign posts.

ST. LOUIS COUNTY  
 DEPARTMENT OF HIGHWAYS AND TRAFFIC  
 CLAYTON, MISSOURI  
 TYPICAL INTERSECTION DETAILS  
 SIDEWALKS, STREET NAME  
 SIGNS AND MONUMENTS  
 APPROVED: *[Signature]*  
 DIRECTOR  
 DATE: JAN 11 1992  
 DRAWING  
 C608.12