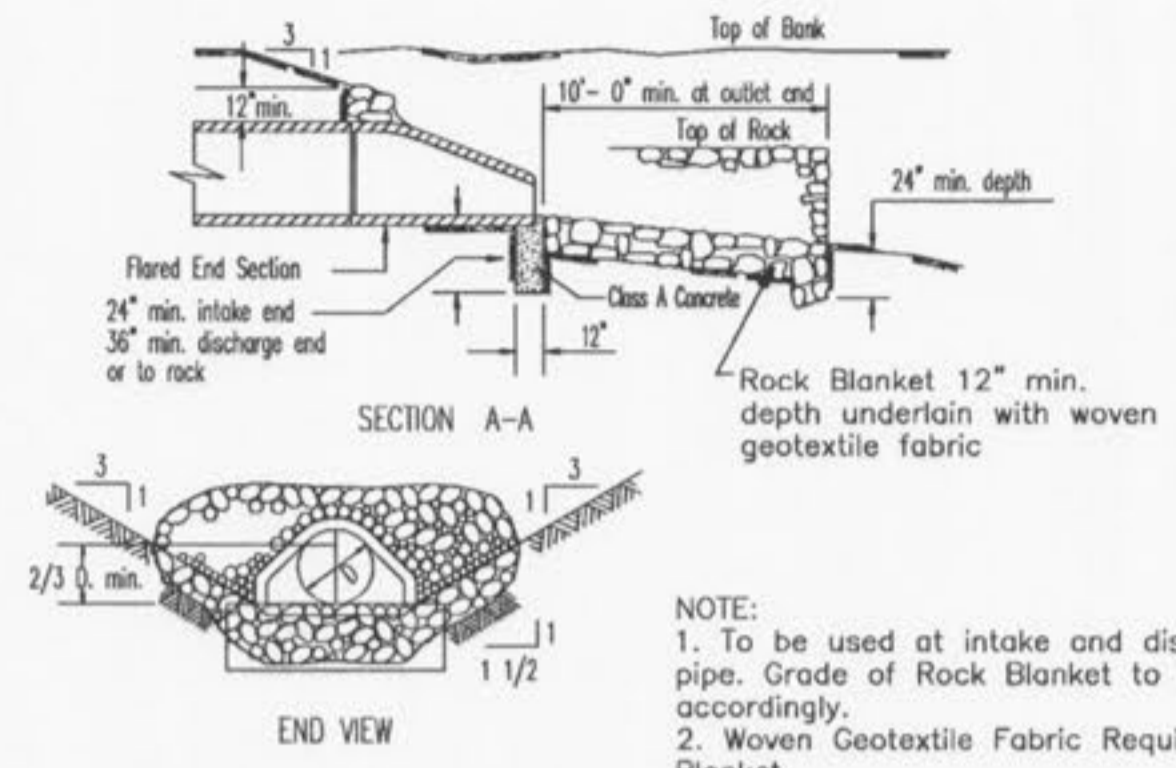


* THE DISCHARGE POINT OF ALL FLARED END SECTIONS SHALL BE PROTECTED BY RIP RAP OR OTHER APPROVED MEANS.
 ** RIP RAP SHOWN AT FLARED END SECTIONS WILL BE EVALUATED IN THE FIELD BY THE ENGINEER, CONTRACTOR, AND CITY INSPECTORS AFTER INSTALLATION FOR EFFECTIVENESS AND FIELD MODIFIED, IF NECESSARY TO REDUCE EROSION ON AND OFF SITE.

*** THE RIPRAP WILL NEED TO BE REMOVED AND REPLACED WHEN THE BASIN CHANGES FROM HOLDING SEDIMENT TO DETAINING STORM WATER.

MSD Type 5 Rock Blanket (% By Weight Passing)

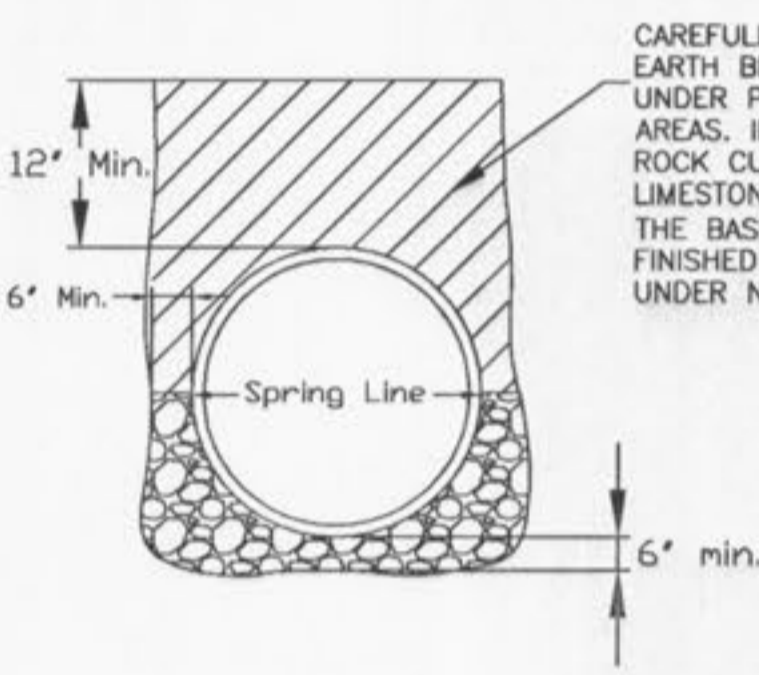
Sieve	Maximum	Minimum
12 inch	90	70
6 inch	30	10
1/2 inch	5	0



NOTE:
 1. To be used at intake and discharge end of pipe. Grade of Rock Blanket to be adjusted accordingly.
 2. Woven Geotextile Fabric Required under Rock Blanket.

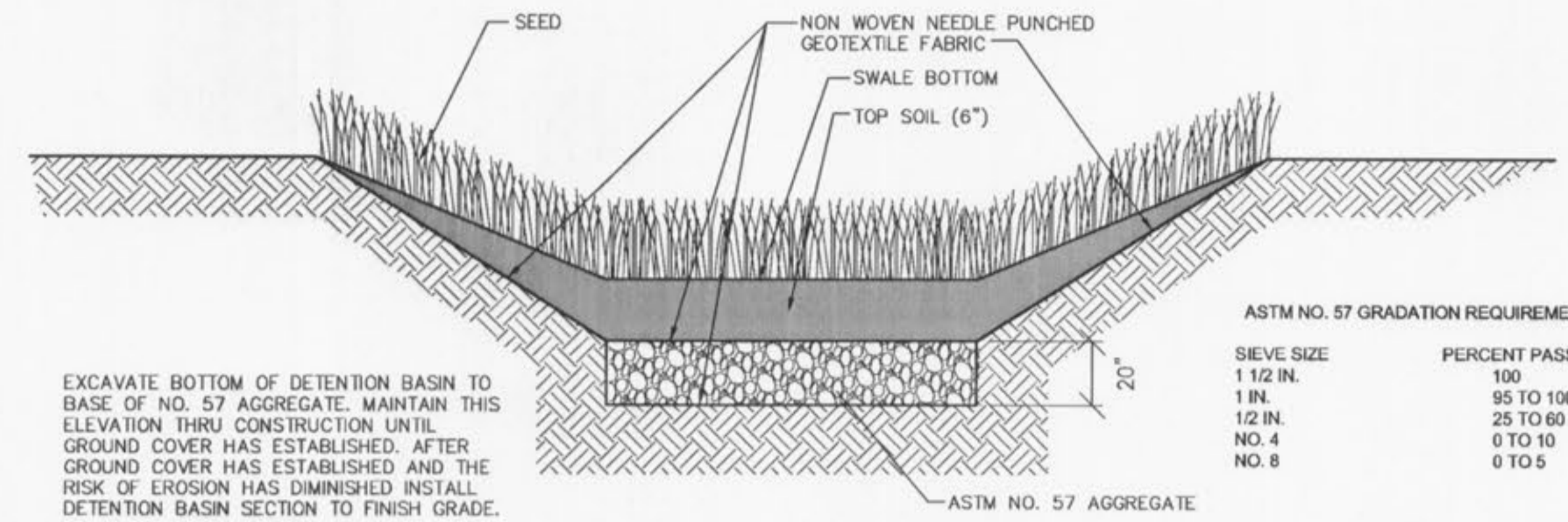
TYPICAL FES DETAIL

N.T.S.



TYPICAL BEDDING DETAIL

N.T.S.



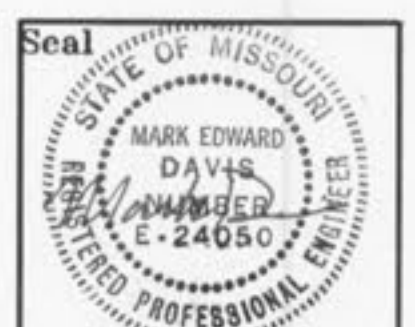
EXCAVATE BOTTOM OF DETENTION BASIN TO BASE OF NO. 57 AGGREGATE. MAINTAIN THIS ELEVATION THRU CONSTRUCTION UNTIL GROUND COVER HAS ESTABLISHED. AFTER GROUND COVER HAS ESTABLISHED AND THE RISK OF EROSION HAS DIMINISHED INSTALL DETENTION BASIN SECTION TO FINISH GRADE.

ASTM NO. 57 GRADATION REQUIREMENTS

SIEVE SIZE	PERCENT PASSING
1 1/2 IN.	100
1 IN.	95 TO 100
1/2 IN.	25 TO 60
NO. 4	0 TO 10
NO. 8	0 TO 5

DETENTION/SEDIMENT BASIN SECTION

N.T.S.



DATE: 11-22-10, EXP: 12-31-10
 MARK EDWARD DAVIS
 MISSOURI PROFESSIONAL ENGINEER
 License No. 001103
 License No. Architect: 000620
 License No. Survey: 000336

This document is only part of the total contract and/or construction document package. Other documents could contain information that may not be depicted here. The general contractor is responsible to provide all bidders with all information and documents pertaining to the complete scope of work.

The seal(s) and signature(s) apply only to the document to which they are affixed, and expressly disclaim any responsibility for all other plans, specifications, estimates, reports or other documents or instruments relating to or parts of the Architectural or Engineering project.

PM/CM Services Environmental
 464 North Milwaukee
 Chicago, IL 60610
 (312) 884-5100

Engineering Architecture Surveying
 8504 Bakern Blvd., Suite 650
 St. Louis, MO 63123
 (314) 884-1032

DAVID MASON & ASSOCIATES

revisions number	date

DETAILS
SAK CONSTRUCTION
SITE IMPROVEMENTS
 864 HOFF ROAD
 O'FALLON, MISSOURI

date 11-22-2010
 job no. 2010003-00
 ds. dr. ck.
 sheet no.

C-9