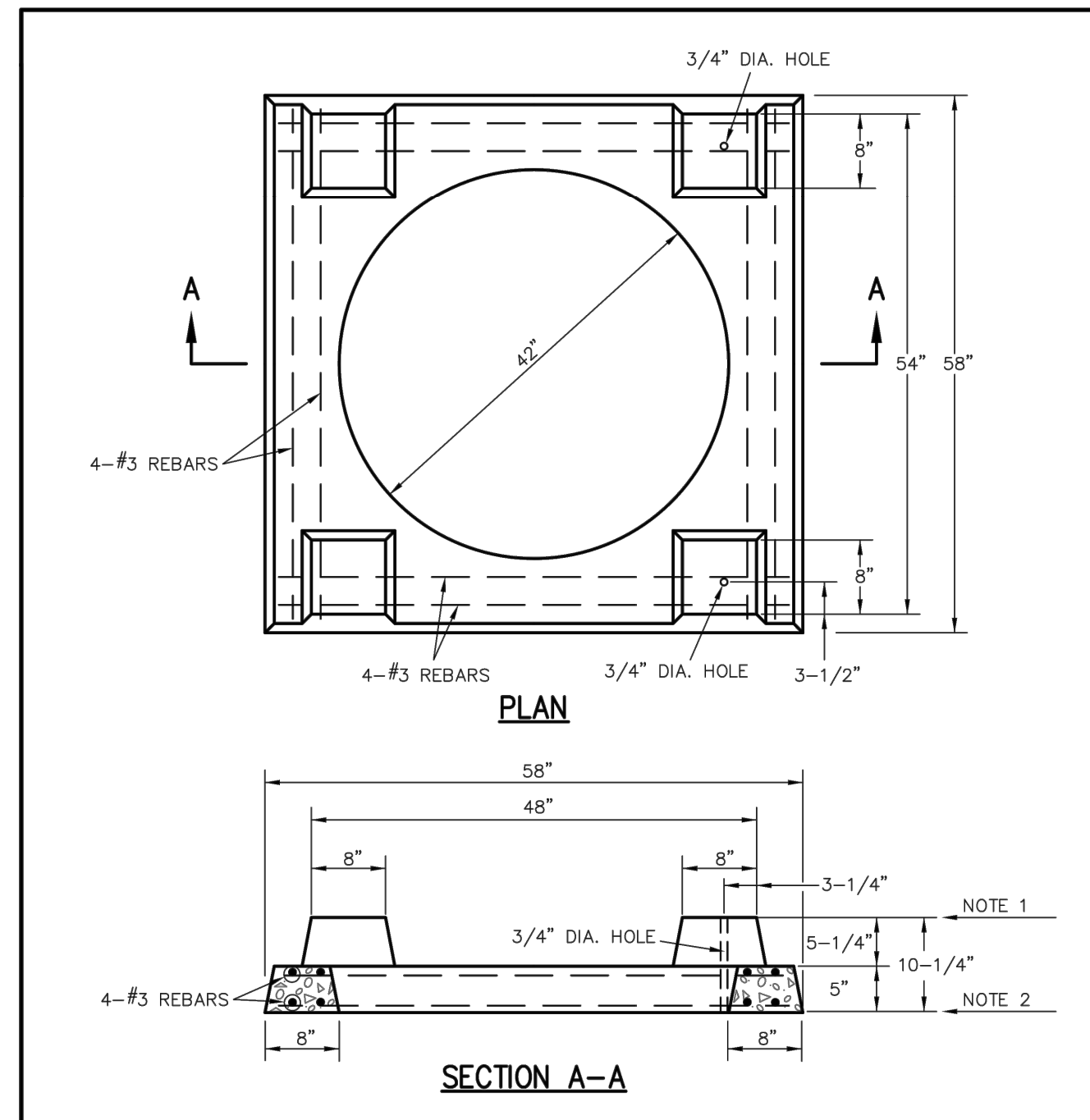
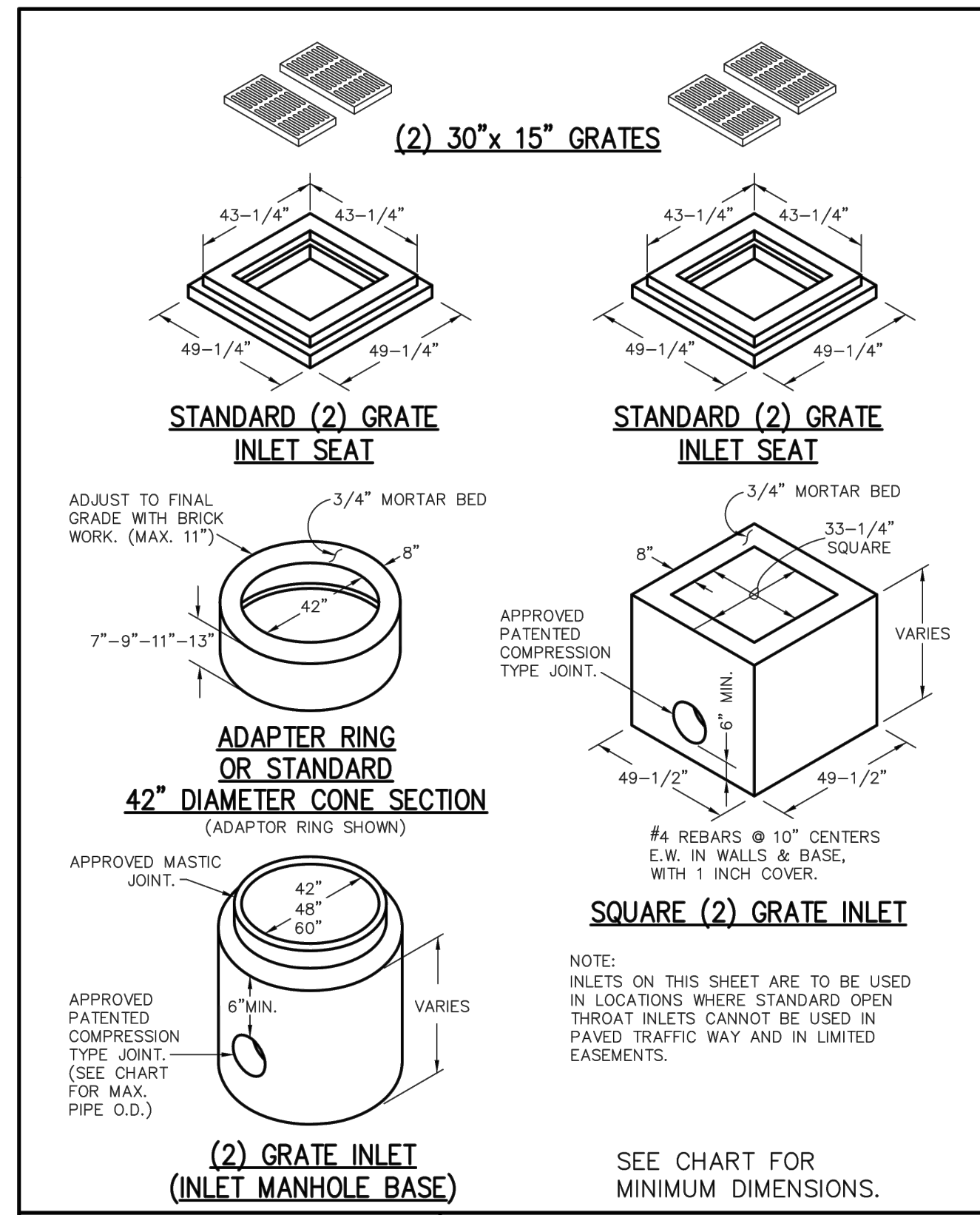


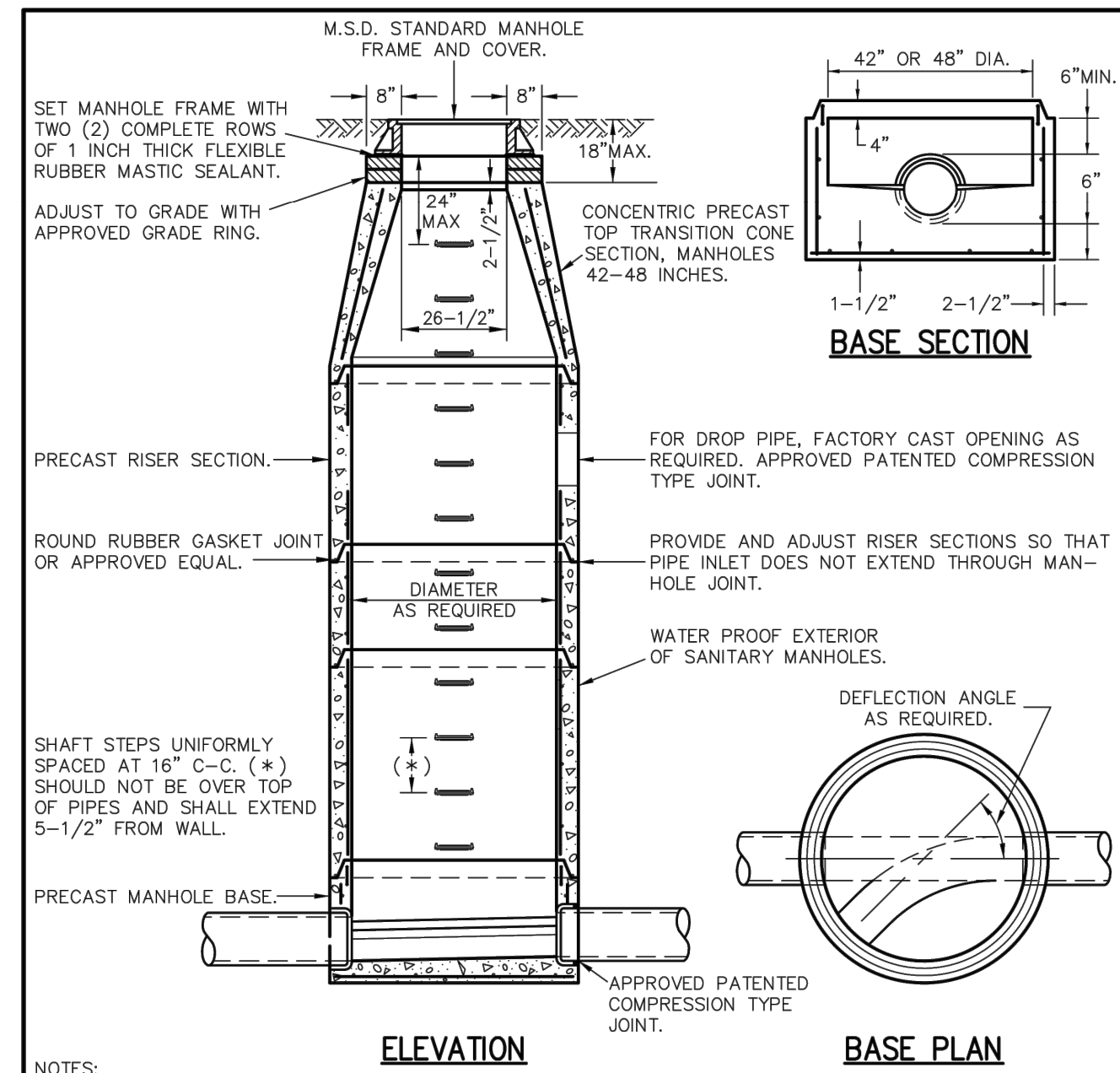
AREA INLET PRECAST CONCRETE	METROPOLITAN ST. LOUIS SEWER DISTRICT <i>Standard Details of Sewer Construction</i>		
	Dr. JLG/SAM Ch. J.C.K.	2009	SHEET 34



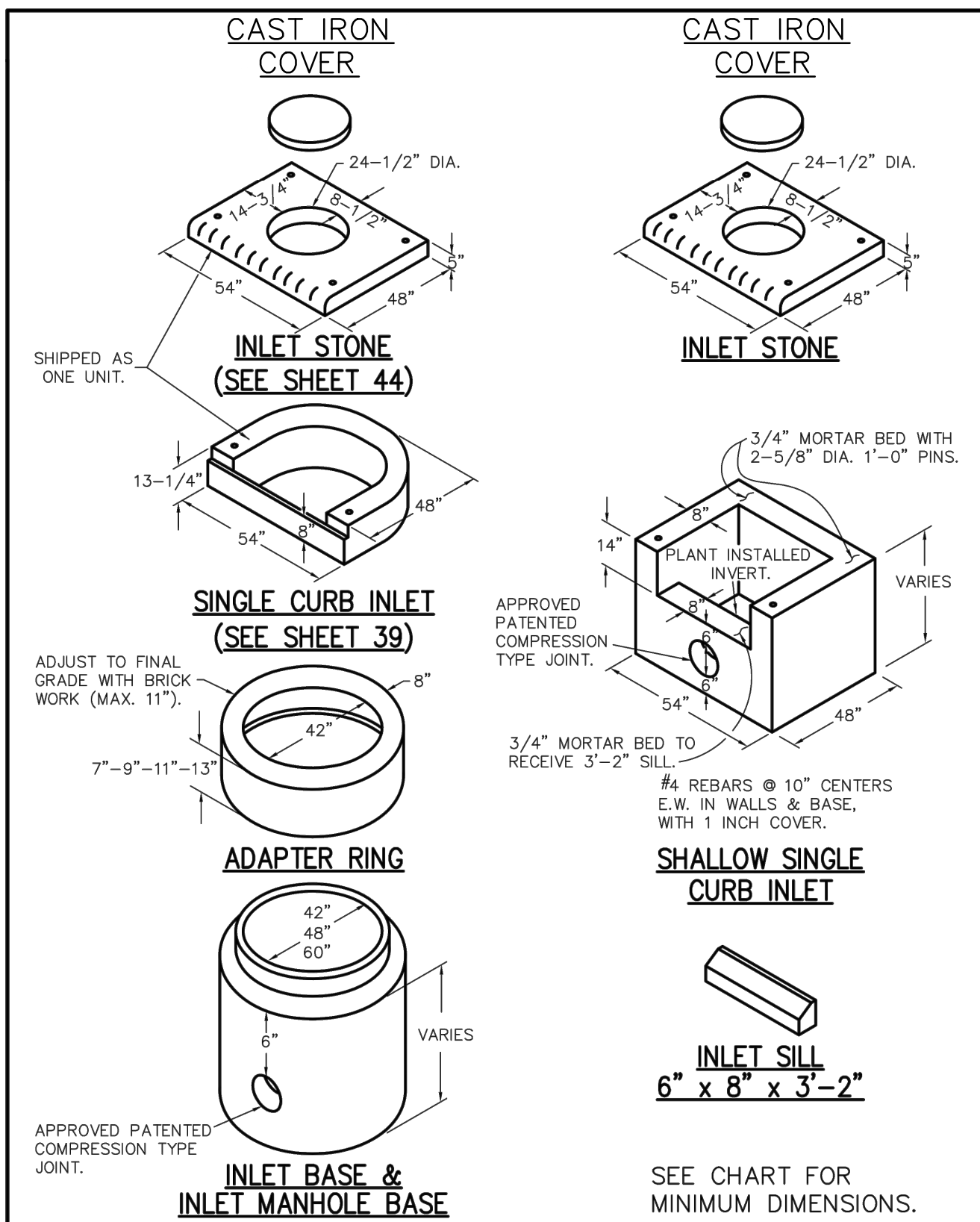
PRECAST CONCRETE UNIT FOR 4 WAY AREA INLET	METROPOLITAN ST. LOUIS SEWER DISTRICT <i>Standard Details of Sewer Construction</i>		
	Dr. DAB/SAM Ch. J.C.K.	2009	SHEET 40



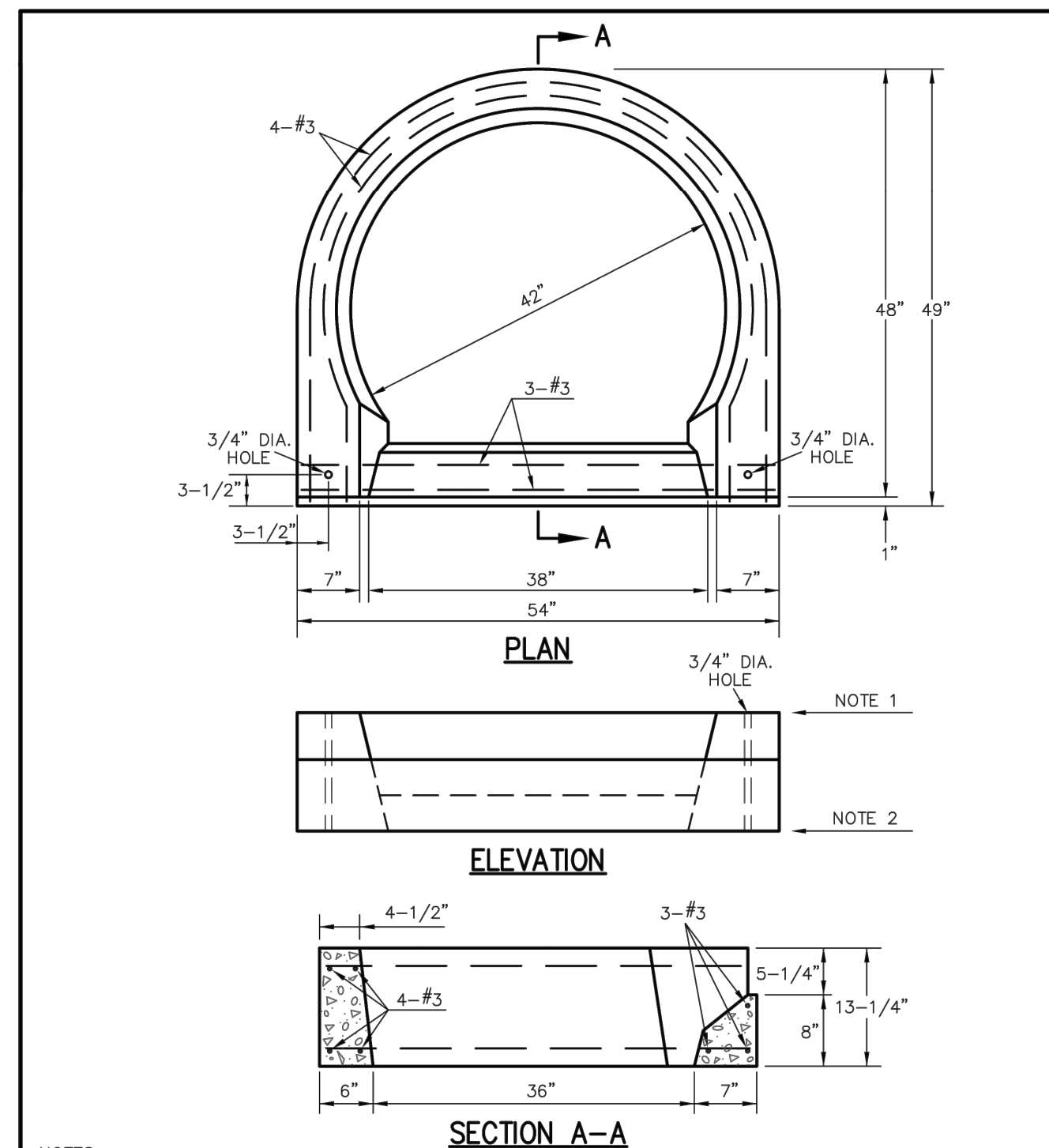
2 GRATE INLETS PRECAST CONCRETE	METROPOLITAN ST. LOUIS SEWER DISTRICT <i>Standard Details of Sewer Construction</i>		
	Dr. JLG/SAM Ch. J.C.K.	2009	SHEET 35



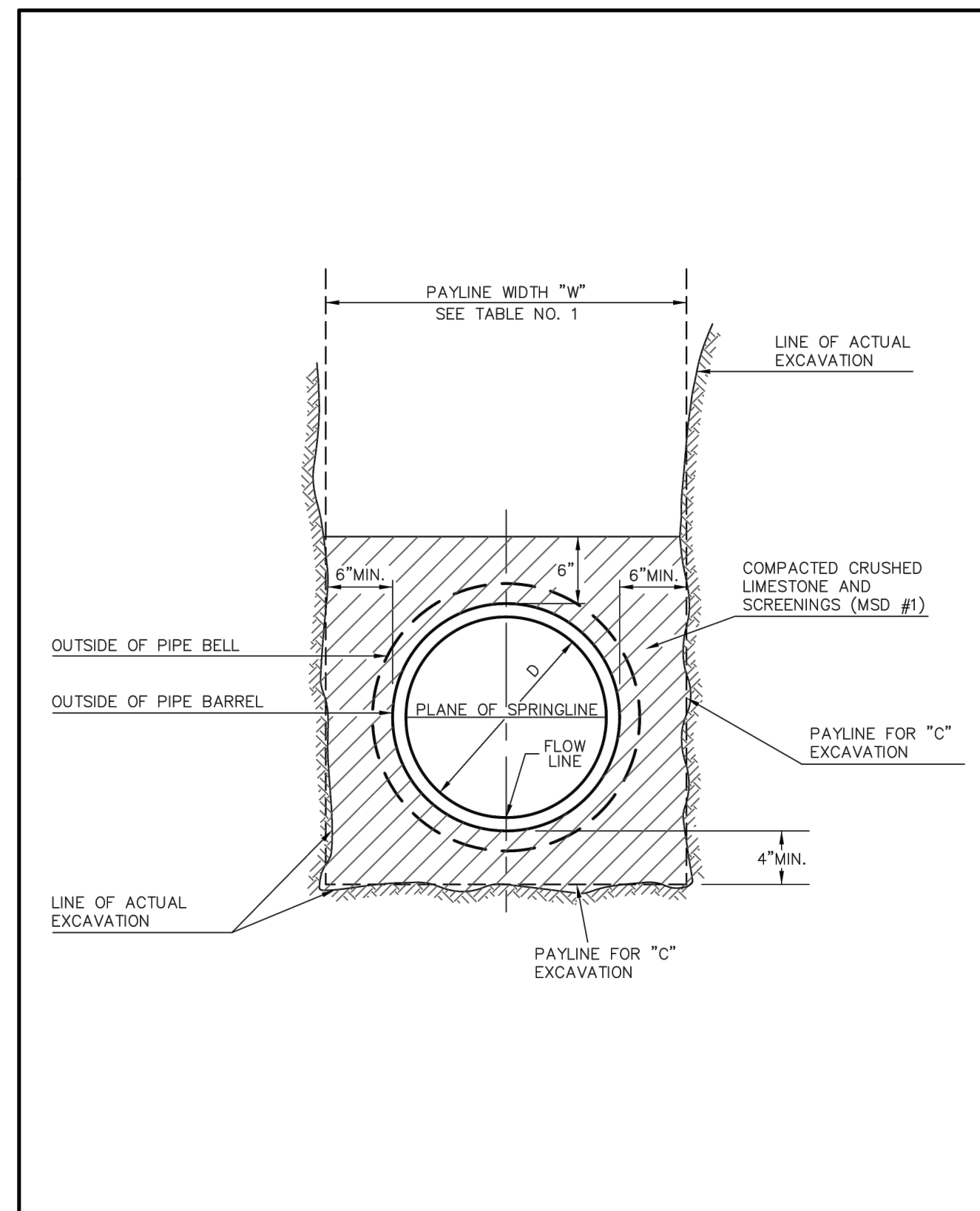
PRECAST CONCRETE MANHOLE	METROPOLITAN ST. LOUIS SEWER DISTRICT <i>Standard Details of Sewer Construction</i>		
	Dr. WSH/SAM Ch. J.C.K.	2009	SHEET 21 (REV)



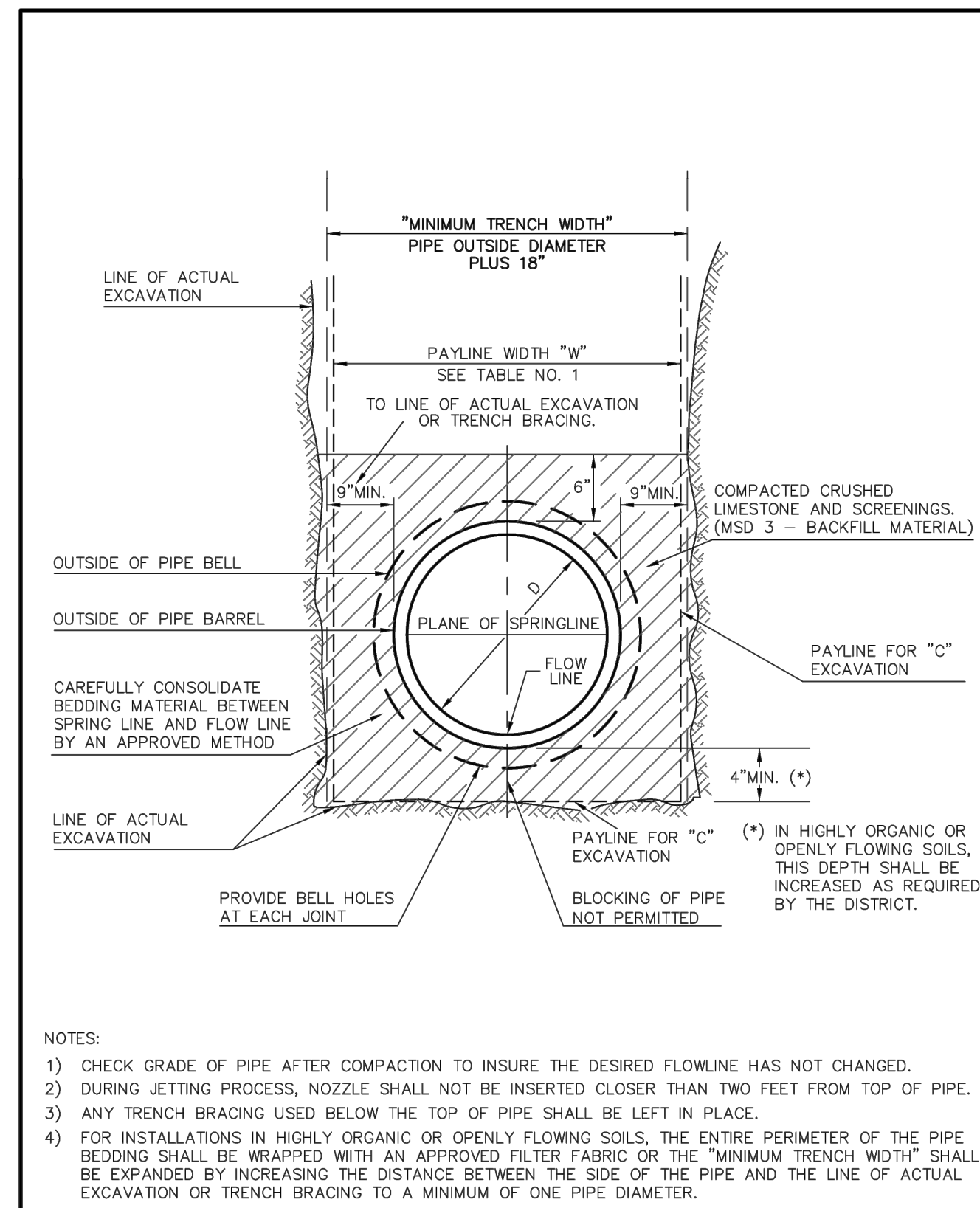
SINGLE STREET INLETS PRECAST CONCRETE	METROPOLITAN ST. LOUIS SEWER DISTRICT <i>Standard Details of Sewer Construction</i>		
	Dr. JLG/SAM Ch. J.C.K.	2009	SHEET 36



PRECAST CONCRETE UNIT FOR SINGLE STREET INLET	METROPOLITAN ST. LOUIS SEWER DISTRICT <i>Standard Details of Sewer Construction</i>		
	Dr. WSH/SAM Ch. J.C.K.	2009	SHEET 39



PIPE BEDDING CLASS "C" (FOR ALL 6" TO 18" PIPE EXCEPT REINFORCED CONCRETE PIPE)	METROPOLITAN ST. LOUIS SEWER DISTRICT <i>Standard Details of Sewer Construction</i>		
	Dr. W.S.H. Ch. J.C.K.	2009	SHEET 4



PIPE BEDDING FOR FLEXIBLE PIPE 21" - 48" DIAMETER	METROPOLITAN ST. LOUIS SEWER DISTRICT <i>Standard Details of Sewer Construction</i>		
	Dr. P.T.K. Ch. D.R.M.	2009	SHEET 6

* All other Storm or Sanitary Sewer Details will be by M.S.D. Standards and Specifications.
 ** All inlets shall have 5/8" trash bar centered with the opening(s).

636-594-0540 (tel.)
 636-594-0512 (fax)
 mail@ochran.com
 630A E. Independence Dr.
 Union, Missouri 63084

COCHRAN
 Civil Engineering
 Land Surveying
 Architecture
 Site Development
 General Consulting
 Master Planning

Missouri State Certificate of Authority Numbers:
 Survey: 000380
 Engineering: 010655
 Architecture: 2002014240

Three working days prior to the start of any excavation, call 1-800-800-8000 for utility location information.

All OSHA rules & regulations apply. Construction required by these plans shall be strictly followed (i.e. trenching, blasting, etc.).

STATE OF MISSOURI
TIMOTHY SCHOWE
 Timothy Schowe
 NUMBER
 PE-201800268
 10-21-22
 PROFESSIONAL ENGINEER

SITE IMPROVEMENTS
 SSM HEALTH
 OF FALLON, MISSOURI

DATE: _____ DESIGN: _____

DATE: JMM APPD. BY: ERR

DATE: OCT. 21, 2022

SCALE: NO SCALE

PROJ. NO: 22-9120

DWG. NO: _____

DETAIL SHEET
D3